

THIS DRAWING IS UNPUBLISHED.  
VERTRÄULICHE UNVERÖFFENTLICHTE ZEICHNUNG  
© COPYRIGHT 2014 Tyco Electronics AMP GmbH

RELEASED FOR PUBLICATION  
FREI FUER VERÖFFENTLICHUNG  
2014  
ALL RIGHTS RESERVED.  
ALLE RECHTE VORBEHALTEN.

MATED WITH  
PASSEND ZU:

DIESE ZEICHNUNG IST EIN KONTROLLIERTES DOKUMENT.  
BEMASSUNGEN UND TOLERANZEN GEMAESS GPS (ISO STANDARDS).

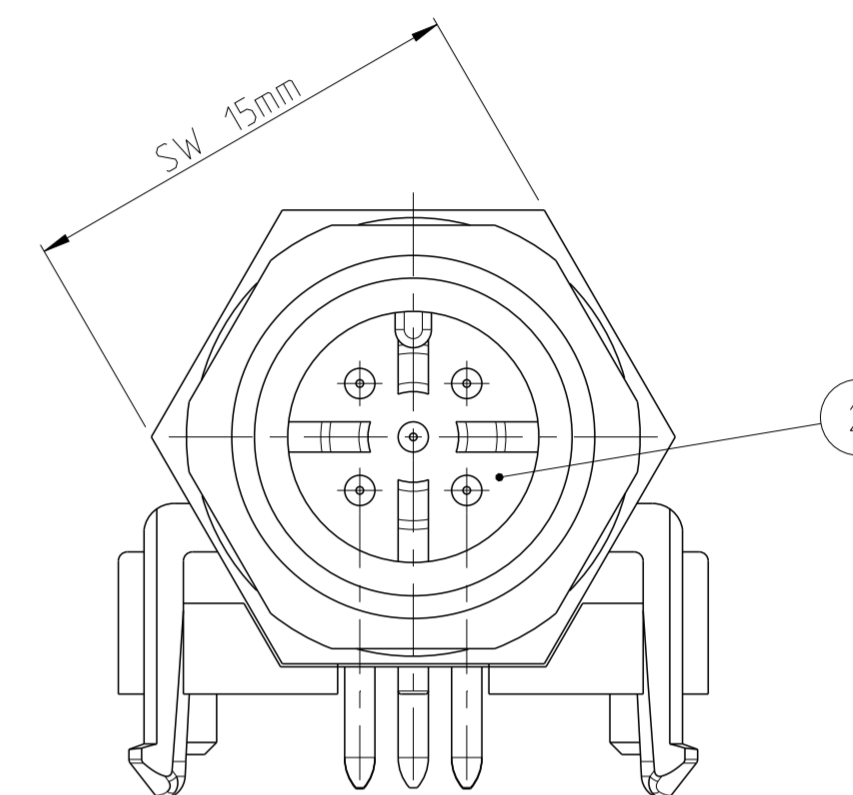
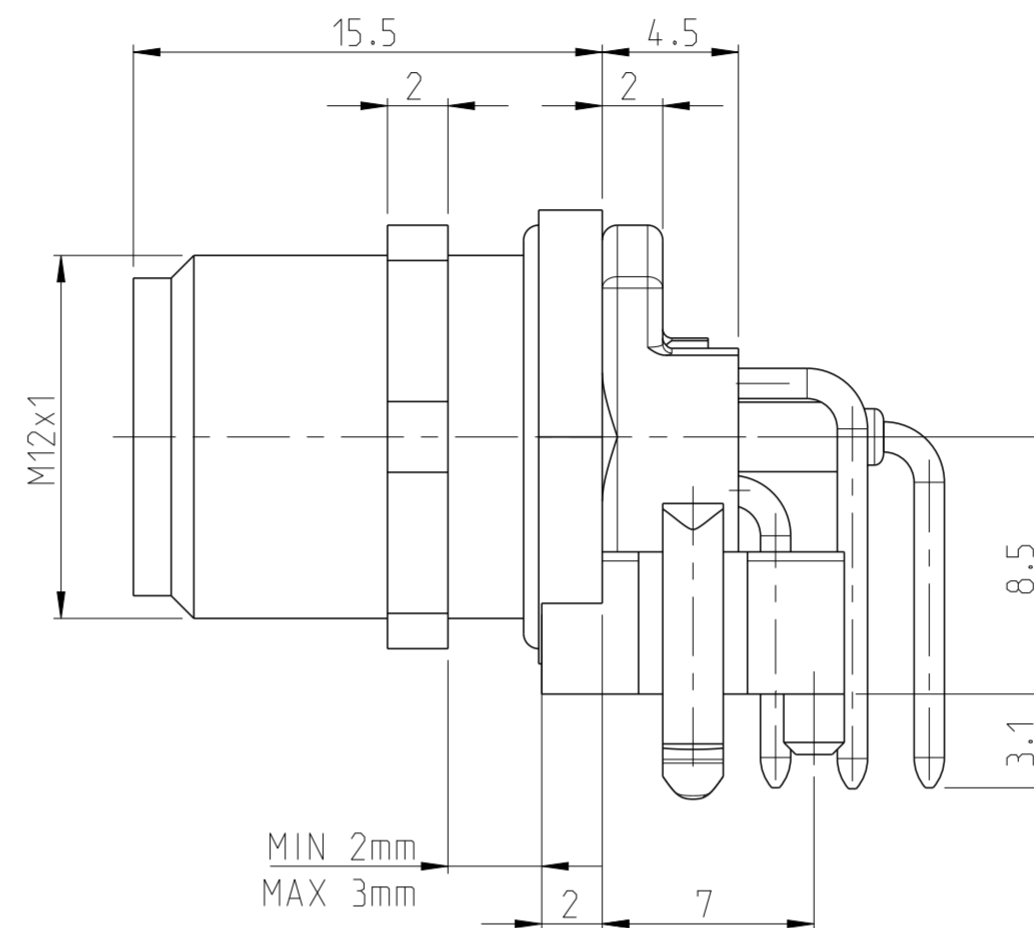
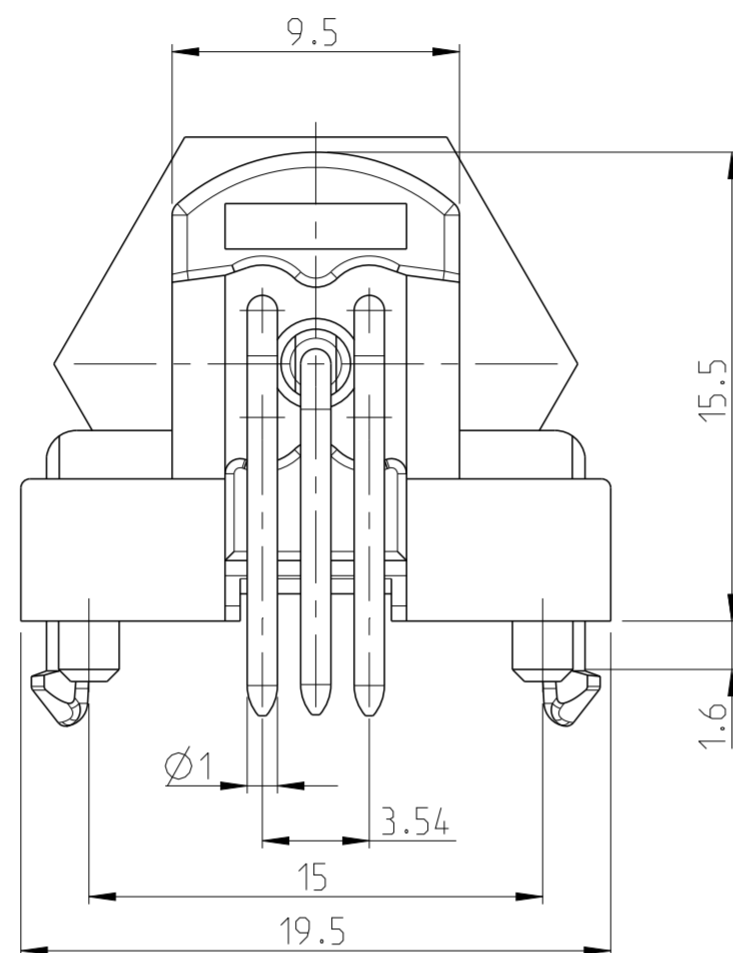
PROJEKT NR.:  
PRJ-11-000004377

REVISIONS		DATE	DWN	APVD
ÄNDERUNGEN				
P	LTR	DESCRIPTION		
		BESCHREIBUNG		
A		NEW RELEASE	01DEC2014	CR JK
A1		NUT SHELL AND 5P HOUSING PN INTRODUCED	23SEP2015	TJ NG
A2		PCB LAYOUT CORRECTED FOR PN 5-2172081-2	11MAY2016	TJ NG
A3		SEAL QTY, MATERIAL DETAILS ADDED IN NOTES	10JAN2018	TJ NG

1 MATERIAL: ITEM NO. 1: NUT SHELL - CuZn (BRASS, NICKEL PLATED)  
ITEM NO. 2: HOUSING - PA  
ITEM NO. 3: CONTACT - CuZn (BRASS)  
ITEM NO. 4: SEAL LARGE - NBR (QTY-1)  
CONTACT FINISH - Au (GOLD)

2 ALL DIMENSIONS ARE FOR NOMINAL REFERENCE ONLY UNLESS OTHERWISE STATED

TECHNICAL DATA	3-2172081-2	4-2172081-2	5-2172081-2
RATED VOLTAGE	250V	125V	60V
RATED IMPULSE VOLTAGE	2500V	1500V	800V
POLLUTION DEGREE	3	3	3
OVERVOLTAGE CATEGORY	II	II	II
MATERIAL GROUP	III	III	III
RATED CURRENT	4A	4A	2A
VOLUME RESISTIVITY	≤ 3mΩ	≤ 3mΩ	≤ 3mΩ
DEGREE OF PROTECTION	IP68	IP68	IP68
UPPER TEMPERATURE	+85°C	+85°C	+85°C
LOWER TEMPERATURE	-40°C	+40°C	+40°C



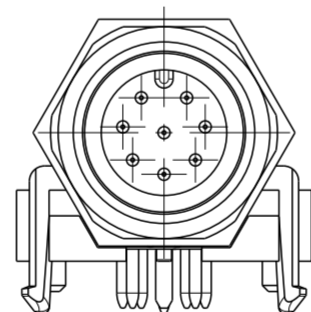
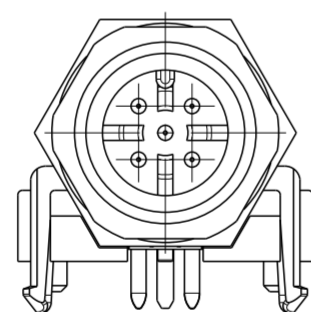
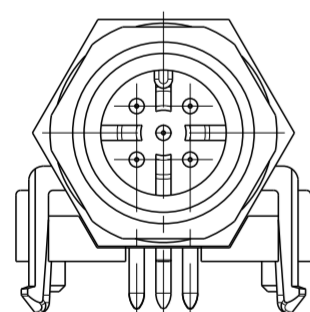
ALSO SOLD SEPARATELY

PIN ARRANGEMENT  
A-CODING (SCALE 2:1)

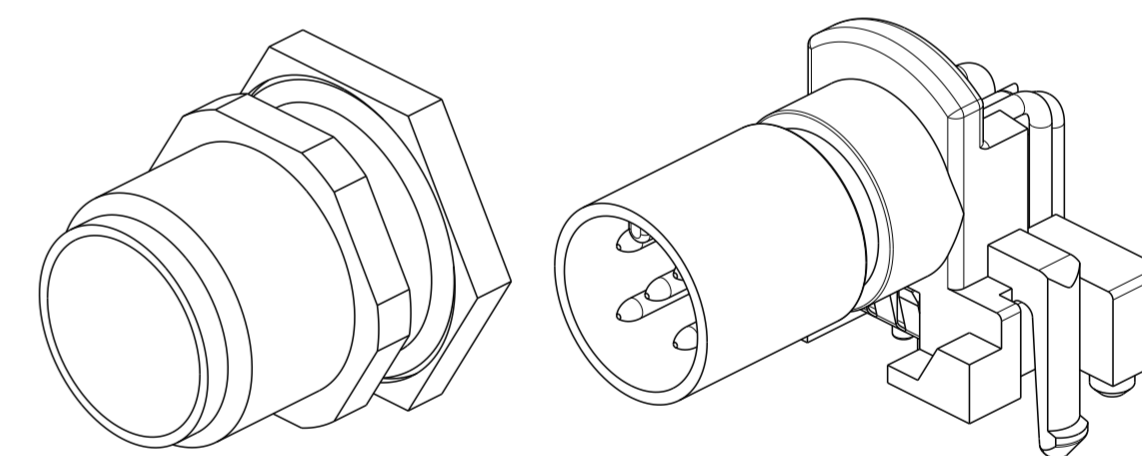
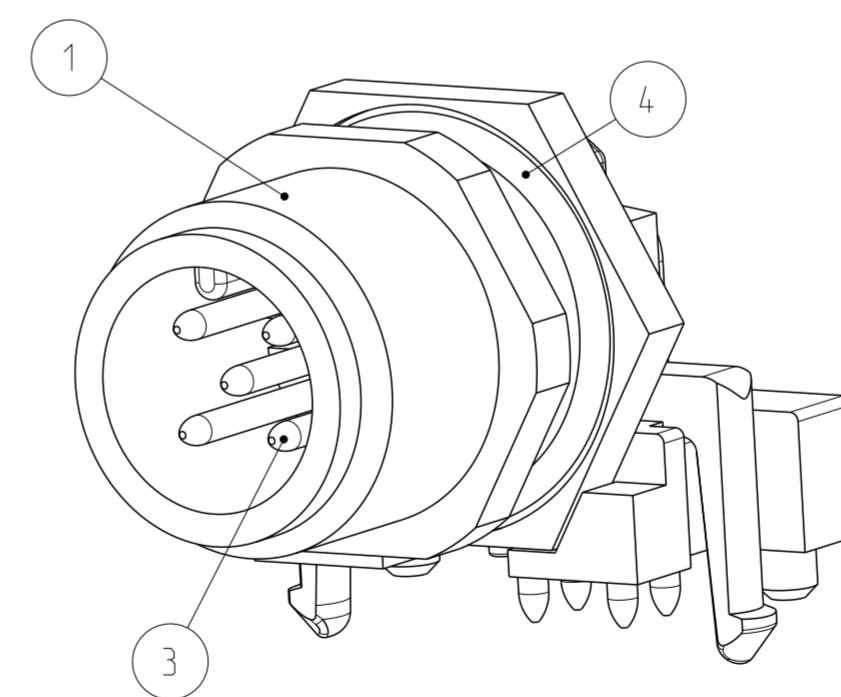
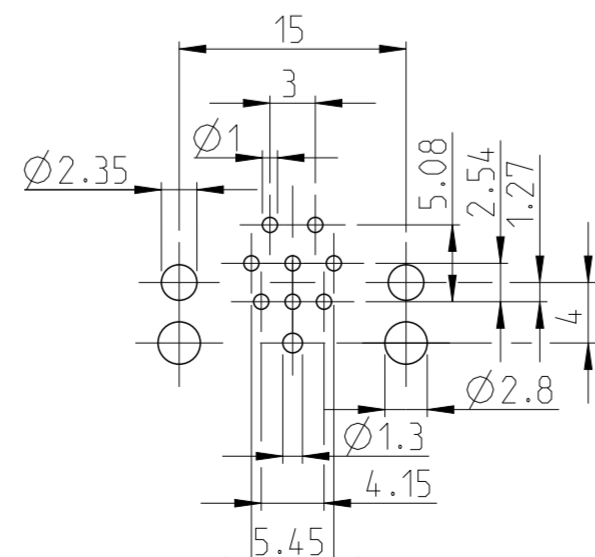
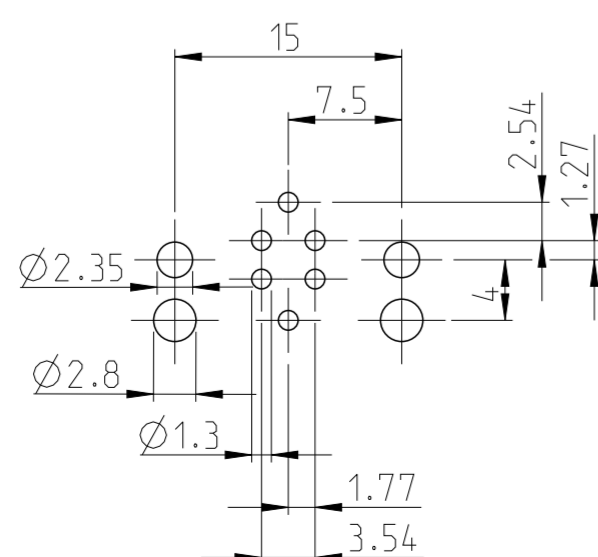
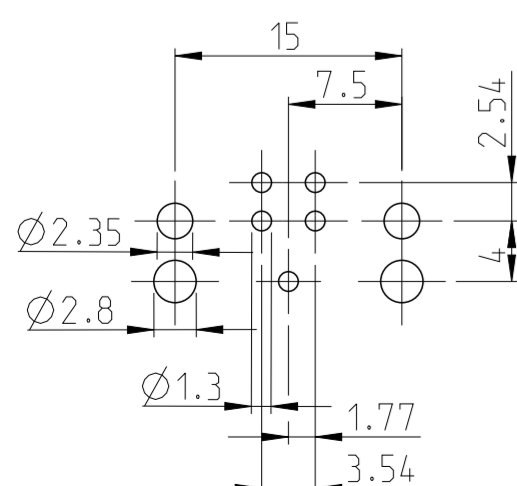
3-2172081-2

4-2172081-2

5-2172081-2



CONDUCTOR LAYOUT



NUT SHELL  
PN 2172081-3

REFER TABLE FOR  
HOUSING PN

⚠	8	5-2172081-2	
⚠	5	4-2172081-2	4-2172081-3
⚠	4	3-2172081-2	
MATERIAL	NUMBER OF POLES	PART NUMBER	HOUSING PN

DIMENSIONS:		TOLERANCES UNLESS OTHERWISE SPECIFIED:	
MASS/EINHEITEN:	(MM)	ALLGEMEINTOLERANZEN	
		0 PLC ±	
		1 PLC ±	
		2 PLC ±	
		3 PLC ±	
		4 PLC ±	
		ANGLES/WINKEL ±	
		FINISH/OBERFLÄCHE/FARBE	

DWN	YASHKUMAR	11AUG2014	
CHK	M. BRUBAKER	11AUG2014	
APVD	M. BRUBAKER	11AUG2014	
PRODUCT SPEC	108-19483		
APPLICATION SPEC	114-32127		
WEIGHT	-		
CUSTOMER DRAWING	/KUNDENZEICHNUNG	SCALE MASSSTAB	2:1
SIZE	A2	CAGE CODE	00779
DRAWING NO	ZEICHNUNGS-NR.		C-2172081
SHEET	1	OF VON	1
REV			A3

**STE** TE Connectivity

M12 MALE, PCB ASSEMBLY, ANGLED, SHIELDED, WITH STANDOFF, A-CODED

SIZE ISO 14405 (E)

## X-ON Electronics

Largest Supplier of Electrical and Electronic Components

*Click to view similar products for [Circular Metric Connectors](#) category:*

*Click to view products by [TE Connectivity](#) manufacturer:*

Other Similar products are found below :

[600X518037X](#) [6STD15PCR99B70A](#) [8R4000A16M020](#) [8R5000A16M005](#) [1200910002](#) [1203580030](#) [1200910008](#) [1200910011](#) [1300140094](#)  
[130203-0054](#) [1300140026](#) [1300150099](#) [RF-12S1N8A90DU](#) [1612618](#) [21036836414](#) [8R4006A16M010](#) [1604232](#) [1R3006A20M005](#) [RF-](#)  
[12P1N8A80DU](#) [RF-12P1N8A90DU](#) [41-40011](#) [42-00006](#) [42-01015](#) [4-22279-4](#) [4-22281-1](#) [4-22284-9](#) [43-00113](#) [43-01088](#) [43-01203](#) [41-](#)  
[40013](#) [42-00008](#) [43-00343](#) [43-01026](#) [43-01032](#) [43-01162](#) [43-01173](#) [43-10000](#) [XS3P-M421-2](#) [600X518050X](#) [SACC-DSI-FS-5P-PG9-L180](#)  
[SC](#) [8R5006A16M020](#) [8R5006A16M005](#) [8R4000A16M010](#) [6-22279-3](#) [1605332](#) [N03FA03144](#) [1300140077](#) [43-16213](#) [43-01338](#)  
[XS2RD4265](#)