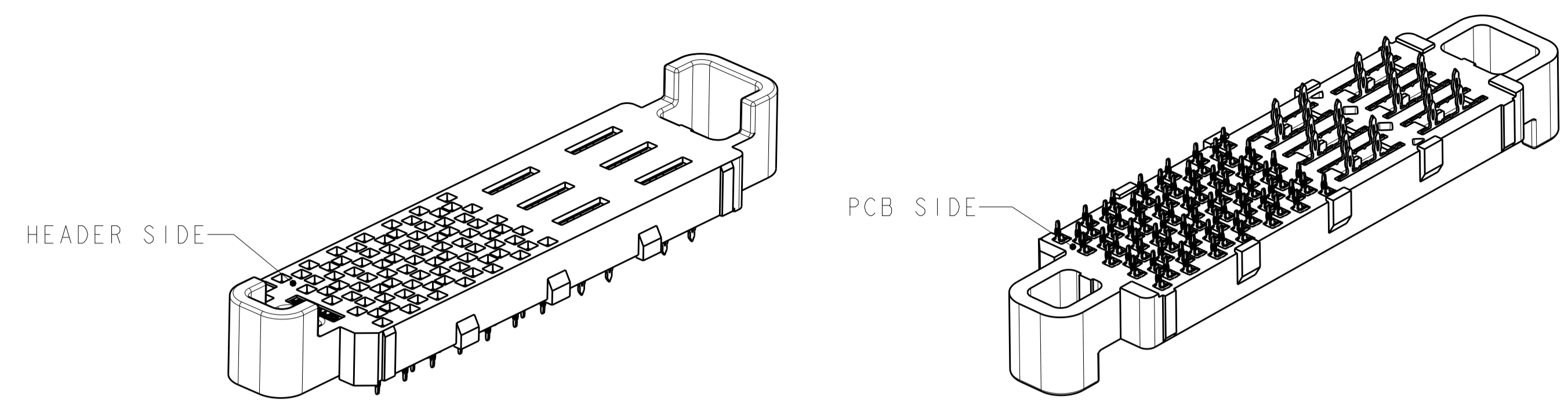
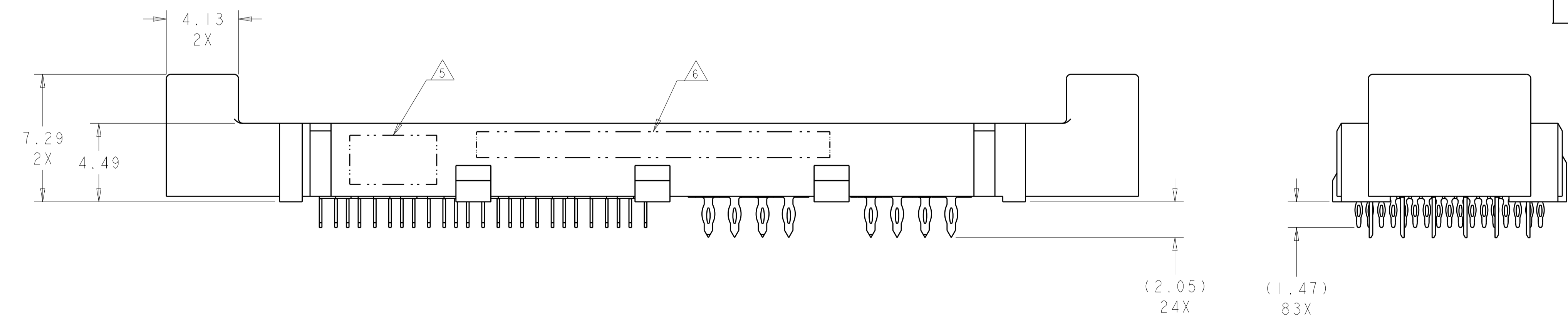
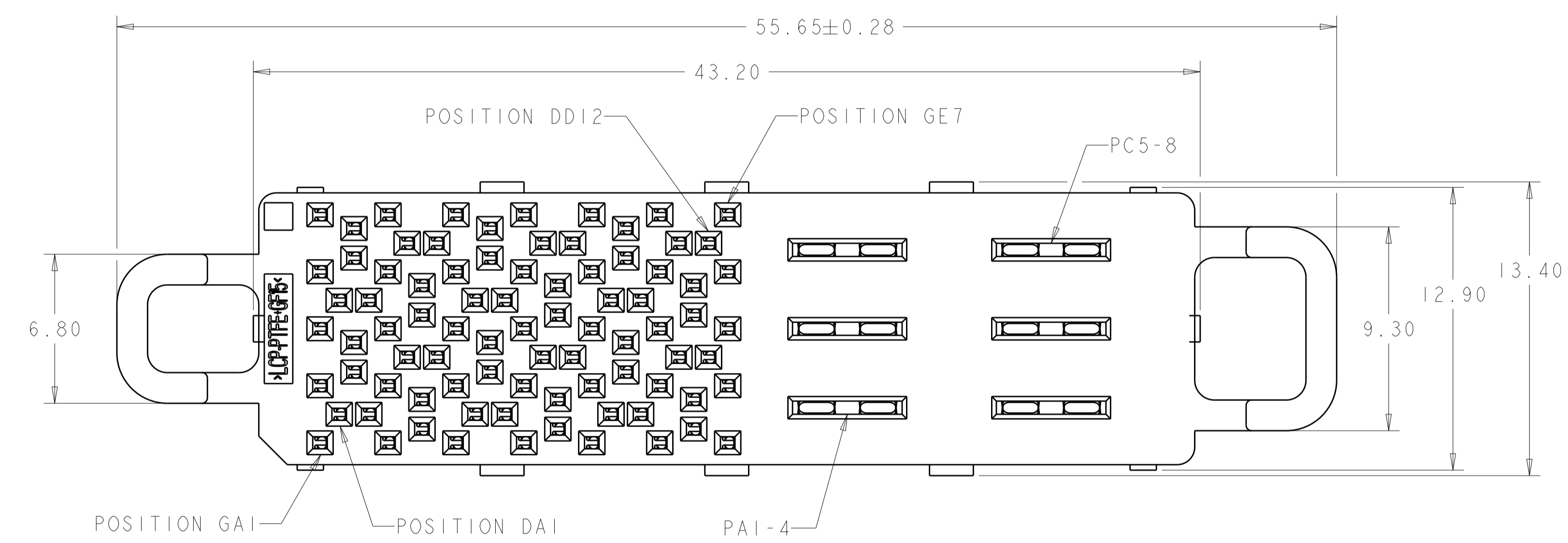


REVISIONS				
P.	LTN	DESCRIPTION	DATE	APVD
A		REVISED PER ECO-14-005178	11APR2014	AP MH



ISOMETRIC VIEWS  
SCALE 3:1



- 1 MATERIAL:  
HOUSING: THERMOPLASTIC, FLAMMABILITY RATING UL94 V-0  
CONTACT: COPPER ALLOY
- 2. CONFORMS TO THE REQUIREMENTS OF TE PRODUCT SPECIFICATION, 108-2375; BASED ON TELCORDIA GR-1217-CORE FOR SYSTEM QUALITY LEVEL III, APPLICATIONS IN CONTROLLED ENVIRONMENTS (CENTRAL OFFICE).  
SEE TE PRODUCT SPECIFICATION 108-2375 FOR TEST SEQUENCES.
- 3 ROWS GA THRU GE (SHOWN DARKENED) ARE TYPICALLY USED AS GROUNDS.
- 4 SPECIFIED POSITIONAL TOLERANCE DEFINES HOLE TO HOLE LOCATION WITHIN HOLE PATTERN. POSITIONAL TOLERANCE OF HOLE MARKS TO FIDUCIAL MARKS OR PCB DATUMS SHALL BE DEFINED BY CUSTOMER.
- 5 AREA RESERVED FOR TE CONNECTIVITY LOGO.
- 6 AREA RESERVED FOR PART NUMBER (X-XXXXXX-X) AND DATE CODE (YYWW).
- 7 USE CENTER LINES INDICATED ON PCB HOLE PATTERN TO ESTABLISH ALIGNMENT BETWEEN HEADER AND RECEPTACLE BOARDS.
- 8 PLATED THROUGH HOLE REQUIREMENTS - SIGNAL:  
HOLE SIZE PRIOR TO PLATING =  $\varnothing 0.420 \pm 0.013$   
COPPER PLATING THICKNESS =  $0.038 \pm 0.013$   
CALCULATED FINISHED HOLE SIZE =  $\varnothing 0.344 \pm 0.039$   
THESE DIMENSIONS APPLY TO THE TOP 1.25mm OF THE PCB THICKNESS FROM THE CONNECTOR MOUNTING SIDE.
- 9 PLATED THROUGH HOLE REQUIREMENTS - POWER:  
HOLE SIZE PRIOR TO PLATING =  $\varnothing 0.700 \pm 0.025$   
COPPER PLATING THICKNESS =  $0.038 \pm 0.013$   
CALCULATED FINISHED HOLE SIZE =  $\varnothing 0.624 \pm 0.051$   
THESE DIMENSIONS APPLY TO THE TOP 1.50mm OF THE PCB THICKNESS FROM THE CONNECTOR MOUNTING SIDE.

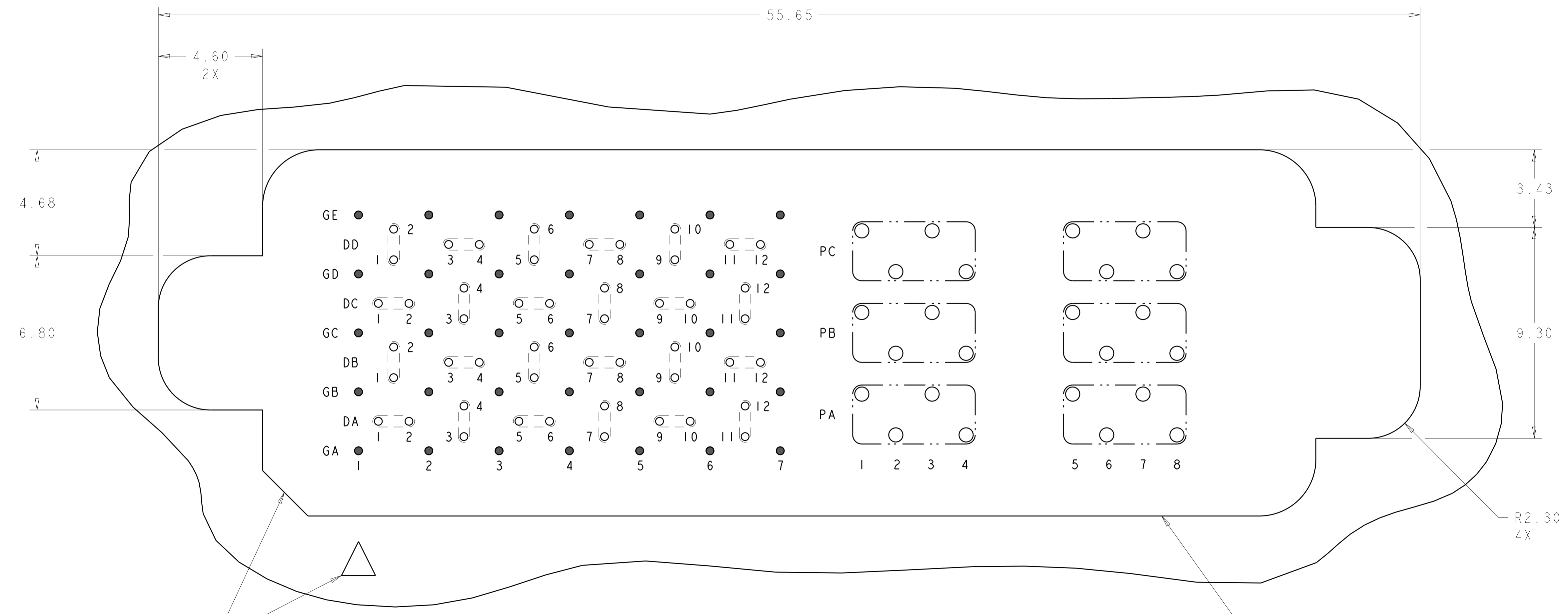
**SIZE 2 HALF WIDE W/GUIDE POSTS \*  
 24 DIFFERENTIAL PAIRS + GROUNDS  
 83 TOTAL SIGNAL CONTACTS  
 6 POWER CONTACTS**

\* SIZE 1 AND SIZE 3 ARE ALSO AVAILABLE

THIS PRODUCT HAS NOT COMPLETED VALIDATION AND QUALIFICATION TESTING


THIS DRAWING IS A CONTROLLED DOCUMENT.		OWN: HAMNER 03JUN2011	DATE: 03JUN2011
DIMENSIONS: mm		CHK: D. TROUT 07JUN2011	DATE: 07JUN2011
TOLERANCES UNLESS OTHERWISE SPECIFIED:		APVD: J. FEDDER 07JUN2011	DATE: 07JUN2011
0 PLC	±	NAME: RECEPTACLE ASSEMBLY, HALF-WIDE, 24/83/6P, STRADA MESA MEZZANINE CONNECTOR	
1 PLC	±0.13	PRODUCT SPEC: 108-2375	
2 PLC	±0.013	APPLICATION SPEC: 114-13249	
3 PLC	±	SIZE: CAGE CODE: DRAWING NO: A100779C=2180761	
4 PLC	±	RESTRICTED TO: -	
ANGLES	±	WEIGHT: -	
FINISH	-	Customer Drawing	
MATERIAL:		SCALE: 6:1 SHEET 1 OF 3 REV A	

REVISIONS				
P.	LTN.	DESCRIPTION	DATE	OWN. / APVD.
-	-	SEE SHEET 1	-	-

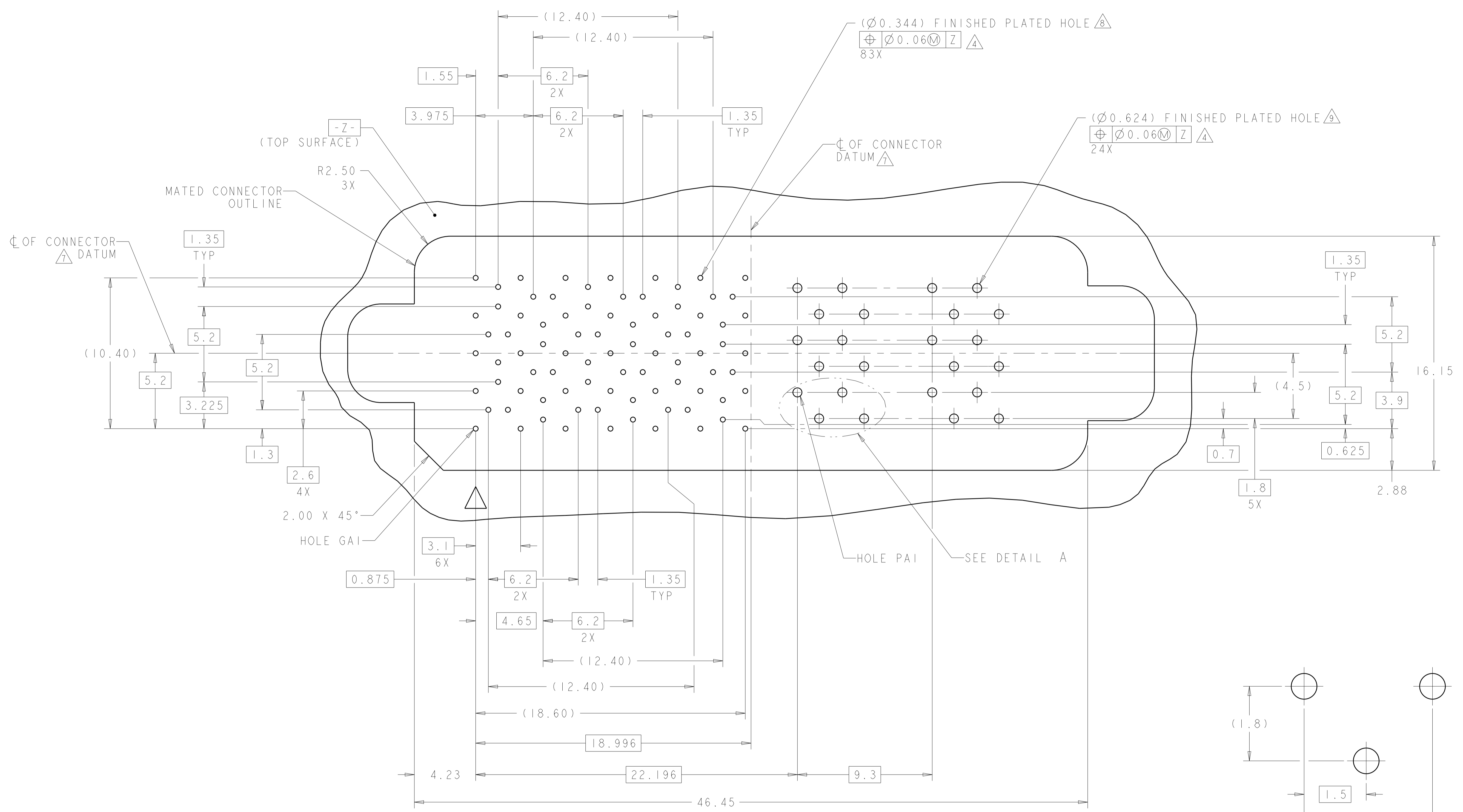


**PCB LAYOUT AND PIN IDENTIFICATION**   
 SHOWN FROM CONNECTOR SIDE  
 SCALE 9:1

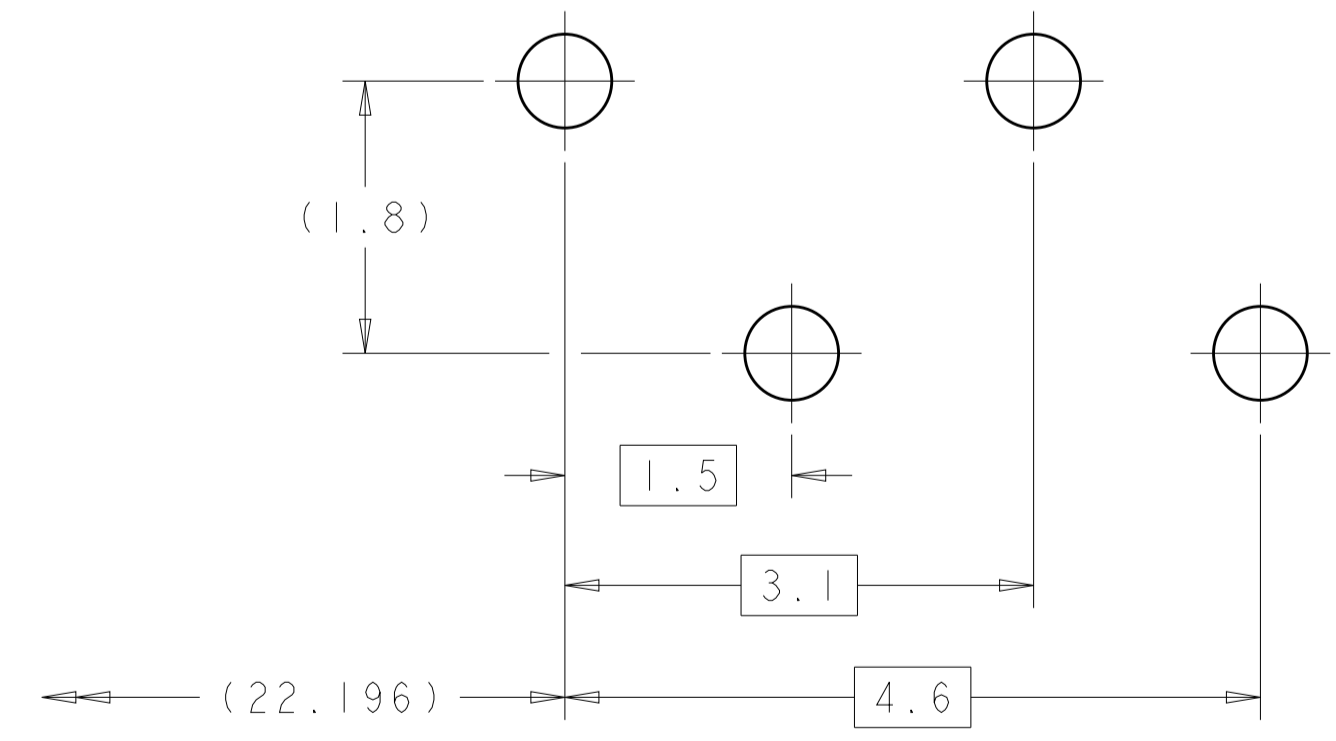
MATED CONNECTOR OUTLINE  
 SEE SHEET 3 FOR LOCATION  
 TO HOLES

THIS DRAWING IS A CONTROLLED DOCUMENT.		OWN: HAMNER 03JUN2011	 TE Connectivity
DIMENSIONS: mm		CHK: D. TROUT 07JUN2011	
TOLERANCES UNLESS OTHERWISE SPECIFIED:		APVD: J. FEEDER 07JUN2011	NAME: RECEPTACLE ASSEMBLY, HALF-WIDE, 24/83/6P, STRADA MESA MEZZANINE CONNECTOR
0 PLC ±		PRODUCT SPEC: 108-2375	SIZE: 114-13249
1 PLC ±0.13		APPLICATION SPEC:	RESTRICTED TO: A100779C=2180761
2 PLC ±0.013		WEIGHT: -	SCALE: 6:1
3 PLC ±		Customer Drawing	SHEET 2 OF 3
4 PLC ±			REV A
ANGLES ±1			
FINISH: -			

REVISIONS				
P.	LTN	DESCRIPTION	DATE	APPD
-	-	SEE SHEET 1	-	-



**PCB HOLE PATTERN**  
 SHOWN FROM CONNECTOR SIDE  
 SCALE 7:1



**DETAIL A**  
 6X  
 SCALE 20:1

THIS DRAWING IS A CONTROLLED DOCUMENT.		OWN: HAMNER 03JUN2011	<b>STE</b> TE Connectivity
DIMENSIONS: mm		CHK: D. TROUT 07JUN2011	
TOLERANCES UNLESS OTHERWISE SPECIFIED:		APPD: J. FEDDER 07JUN2011	NAME: RECEPTACLE ASSEMBLY, HALF-WIDE, 24/83/6P, STRADA MESA MEZZANINE CONNECTOR
0 PLC ±		PRODUCT SPEC	SIZE: CAGE CODE DRAWING NO. RESTRICTED TO
1 PLC ±0.13		APPLICATION SPEC	A100779C=2180761
2 PLC ±0.013		WEIGHT	SCALE 6:1 SHEET 3 OF 3 REV A
3 PLC ±		Customer Drawing	
4 PLC ±			
ANGLES ±1			
FINISH			

## X-ON Electronics

Largest Supplier of Electrical and Electronic Components

*Click to view similar products for [Board to Board & Mezzanine Connectors](#) category:*

*Click to view products by [TE Connectivity](#) manufacturer:*

Other Similar products are found below :

[589158040000018](#) [FCN-230C068-11](#) [FCN-268F012-G/BD](#) [FCN-268F036-G/BD](#) [FCN-268M012-G/0D](#) [FCN-268M024-G/1D](#) [FCN-723J004/1](#) [MIS-048-01-F-D-DP-K](#) [832-10-034-10-001000](#) [FX4C-80S-1.27DSA](#) [FCN-214Q030-G/0](#) [FCN-234P048-G/0](#) [FCN-235D050-G/C](#) [210-93-314-41-105000](#) [2-22603-0](#) [MDF7-40DP-2.54DSA\(55\)](#) [AXG720047](#) [5031084030](#) [MIT-114-03-F-D-K](#) [55323-1519](#) [DF33-2P-3.3DSA\(24\)](#) [YFT-20-05-H-03-SB-K](#) [503308-3040](#) [026-6203-PDB](#) [027-6203-PDB](#) [069159702701000](#) [10123981-102LF](#) [101A10019X](#) [55650-0588-C](#) [68684-306](#) [75140-7012](#) [589159005003045](#) [194261-1](#) [FCN-268F024-G0D](#) [10124054-515LF](#) [68685-603](#) [8-1616154-3](#) [MIS-019-01-F-D](#) [589159005002045](#) [541371078](#) [IL-WX-10PB-HF-B-E1000E](#) [FCN-268M024-G/3D](#) [20021832-06016C1LF](#) [KX15-20KLDL-E1000E](#) [MDF7-16DP-2.54DSA\(55\)](#) [AXE810124](#) [FCN-214J100-G/0](#) [FCN-230C068-E/S](#) [AXE812124](#) [AXE816124](#)