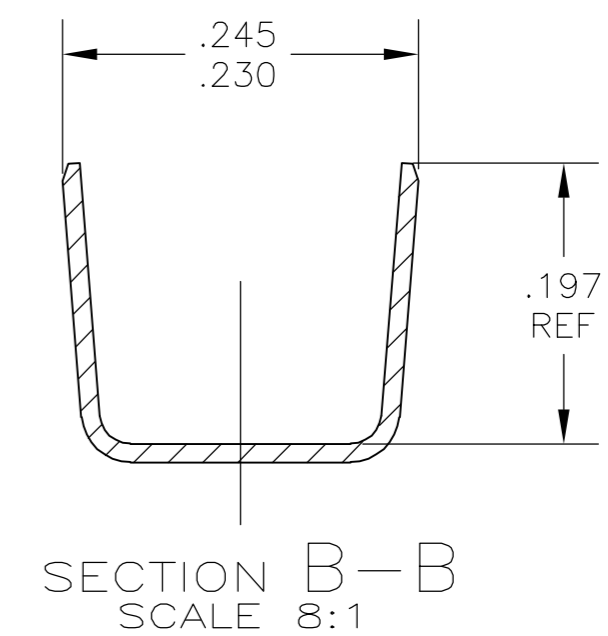
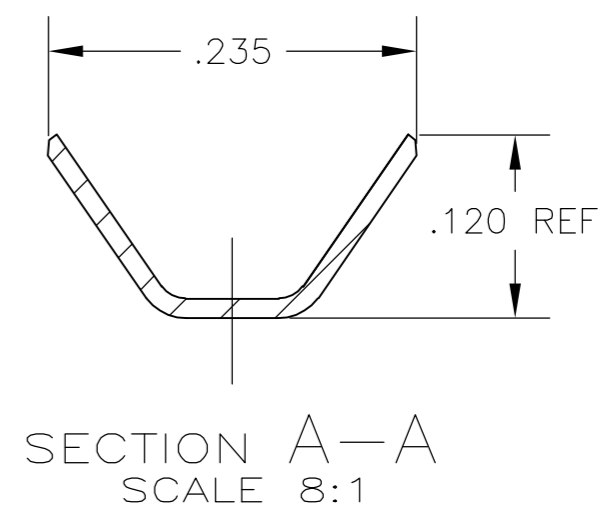
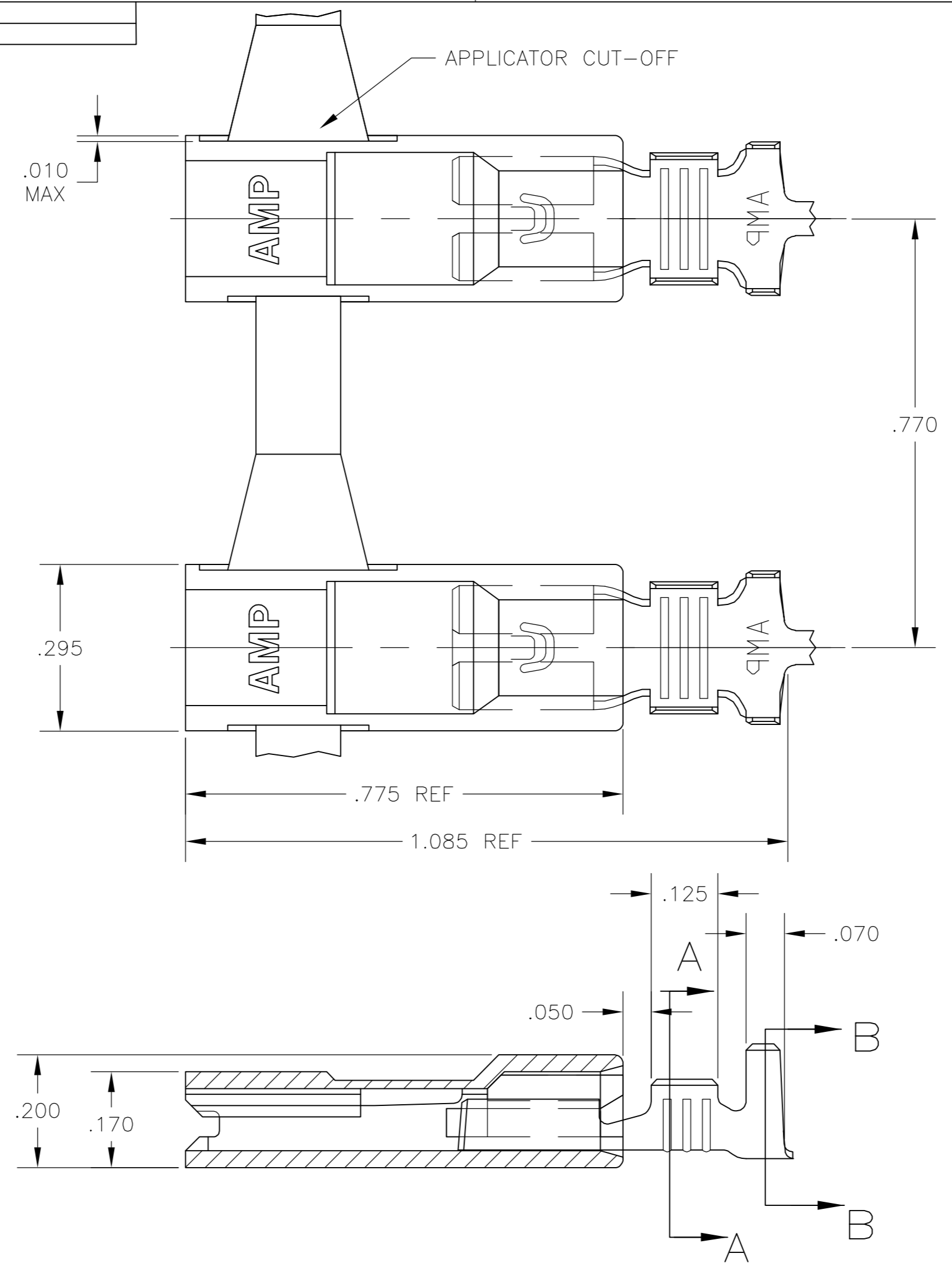


THIS DRAWING IS UNPUBLISHED. RELEASED FOR PUBLICATION  
 © COPYRIGHT BY TYCO ELECTRONICS CORPORATION. ALL RIGHTS RESERVED.

LOC	DIST	REVISIONS			
P	LTR	DESCRIPTION	DATE	DWN	APVD
AF	50	A1	REVISED PER ECR-06-027960	05DEC06	HMR GP



- 1 FASTON TERMINALS, BASE  
P/N 1742110, ARE USED IN THIS PRODUCT.
- 3 MATING TAB THK TO BE  $.020 \pm .001$
- 4 WIRE SIZE IS #18-#16 OR TWO #18'S AWG.
- 5 INSULATION RANGE IS .105-.130 OR TWO AT .105 MAX
- 6 TERMINAL - .0126 THK H04 BRASS  
HOUSING - 6/6 NYLON
- 7 TERMINAL - SEE TABLE  
HOUSING - NATURAL

THIS DRAWING IS A CONTROLLED DOCUMENT.		DWN	JR RUTH	10JUL06	Tyco Electronics Corporation Harrisburg, PA 17105-3608				
DIMENSIONS: INCHES		CHK	G PORTA	10JUL06					
TOLERANCES UNLESS OTHERWISE SPECIFIED:		APVD	G PORTA	10JUL06					
0 PLC ± - 1 PLC ± - 2 PLC ± - 3 PLC ± .010 4 PLC ± - ANGLES ± - FINISH		PRODUCT SPEC 108-1285 APPLICATION SPEC 114-2124 WEIGHT -		NAME ASSEMBLY, RECEPTACLE, ULTRA-POD, .187 SERIES					
MATERIAL	6	SIZE	A2	CAGE CODE	00779	DRAWING NO	C=521947	RESTRICTED TO	-
CUSTOMER DRAWING		SCALE	5:1		SHEET	1 of 1		REV	A1

521947

## X-ON Electronics

Largest Supplier of Electrical and Electronic Components

*Click to view similar products for [Terminals](#) category:*

*Click to view products by [TE Connectivity](#) manufacturer:*

Other Similar products are found below :

[HT-13-10](#) [71M-250-32-NB](#) [01-2065-1-0216](#) [00581P0075](#) [M10-10RX](#) [M10BCK](#) [60205-1](#) [604200-1](#) [60598-1-CUT-TAPE](#) [60617-1-C](#) [60873-1](#) [M14-516R/SK](#) [M14-6RSX](#) [M18-10FLX](#) [M18-8FBX](#) [M18-8R/LX](#) [M18BCK](#) [61314-6-C](#) [61-S](#) [61-SN-A](#) [62-NBM-A](#) [63-S](#) [640179-1](#) [640917-2-CUT-TAPE](#) [6501550002](#) [66107-2-C](#) [66107-4-C](#) [696683-1](#) [696834-1](#) [696861-1](#) [696931-1](#) [696999-1](#) [M8-516RK](#) [M86700006](#) [MA250DMFMX-A](#) [701-2007](#) [701-2307](#) [701-7761-03](#) [70F-110-32-PB](#) [718-N-A](#) [71M-187-20-NBL](#) [71M-250-32-NBL](#) [72F-187-20-NBL](#) [72M-250-32-NBL](#) [7310](#) [73F-250-32](#) [73F-250-32-NBL](#) [73F-250-32-NL](#) [F14-10C](#) [F-1M](#)