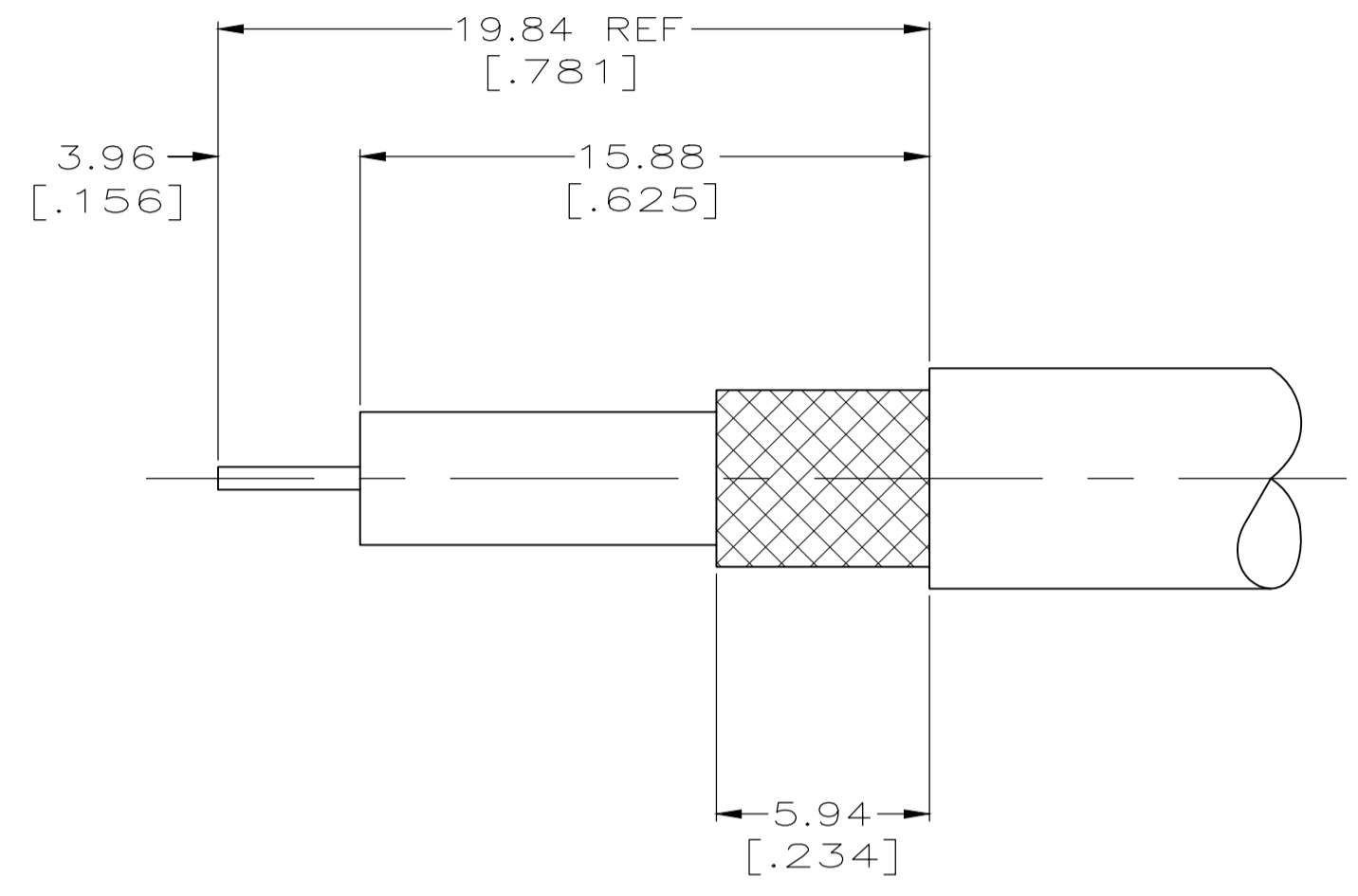
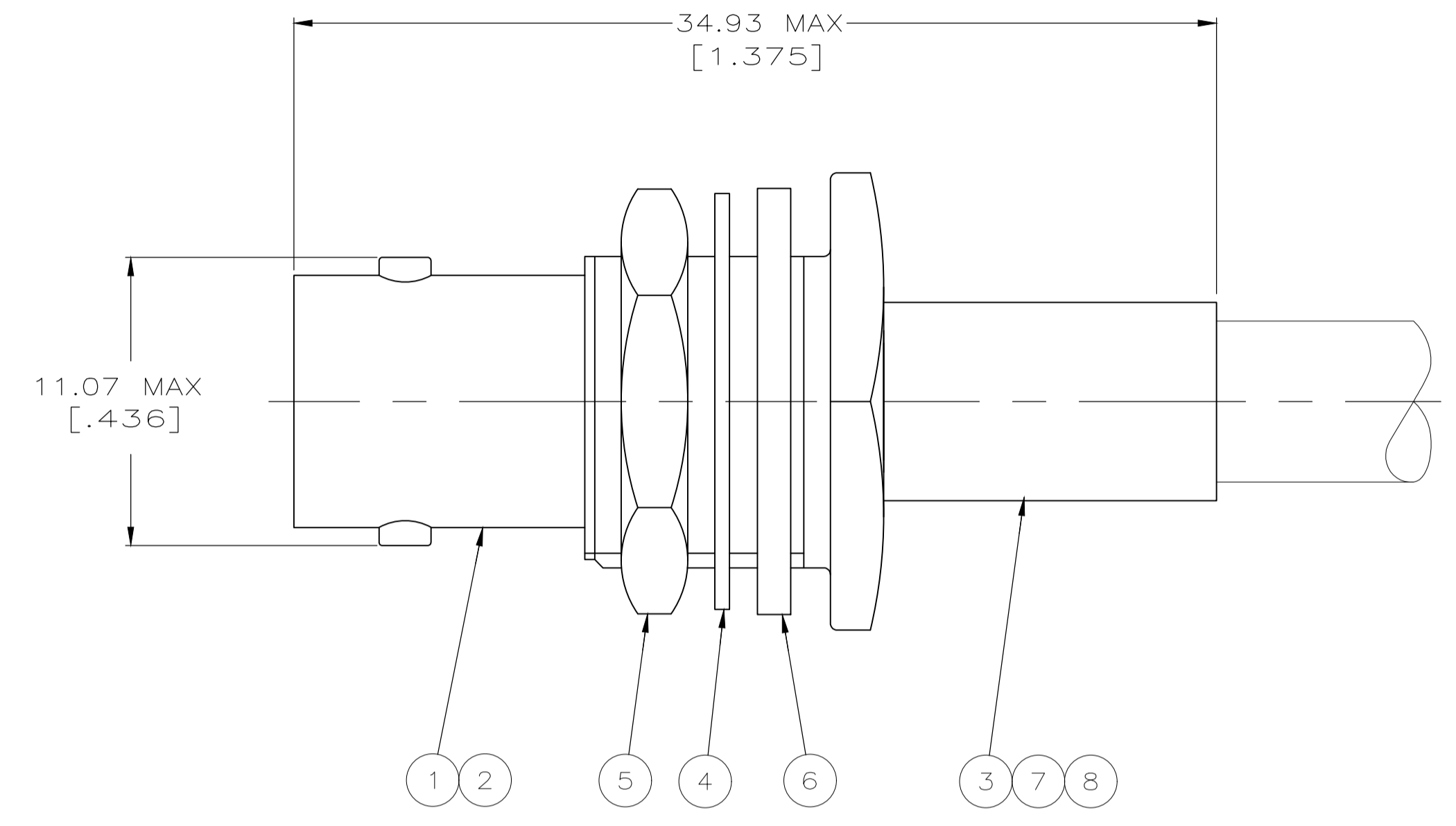
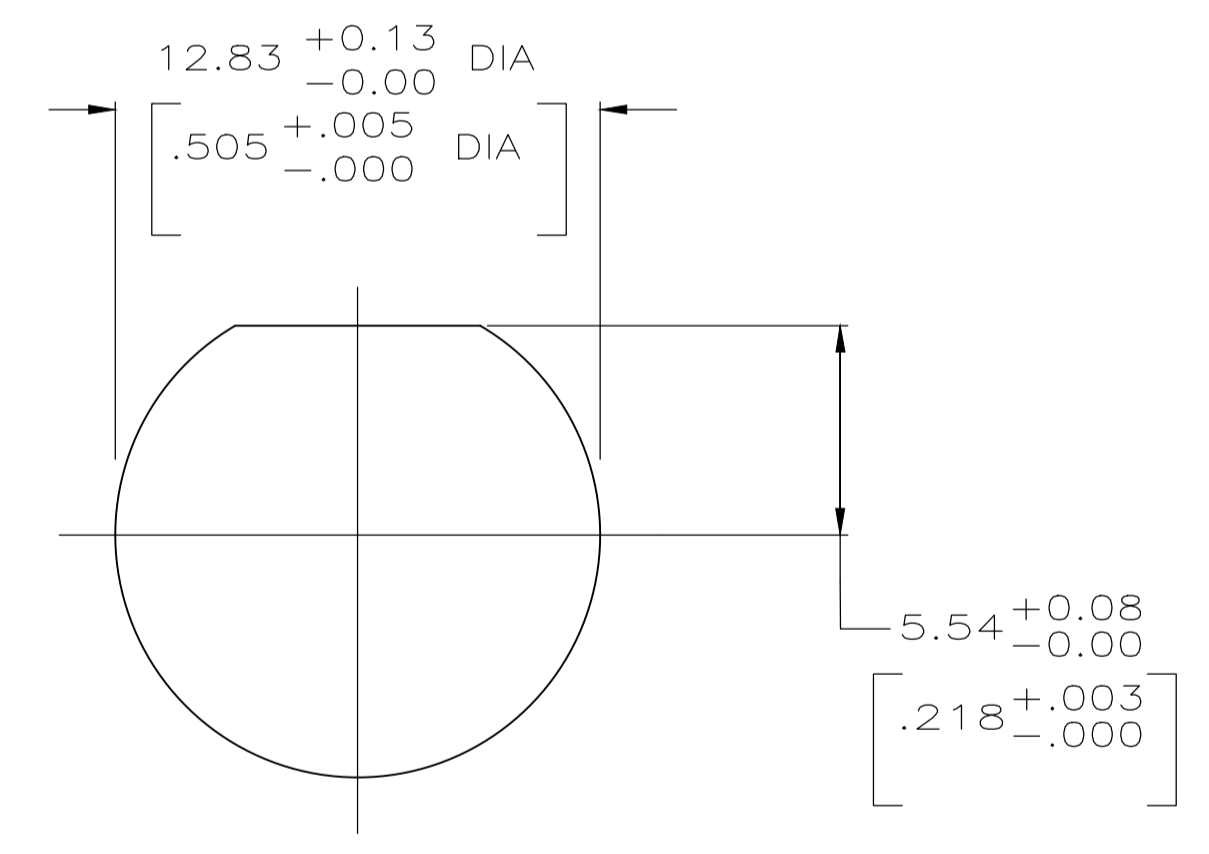


REVISIONS					
REV	DATE	DESCRIPTION	BY	CHK	APPV
A3	20JUN2019	REVISED PER ECR-19-009363	ED	RS	

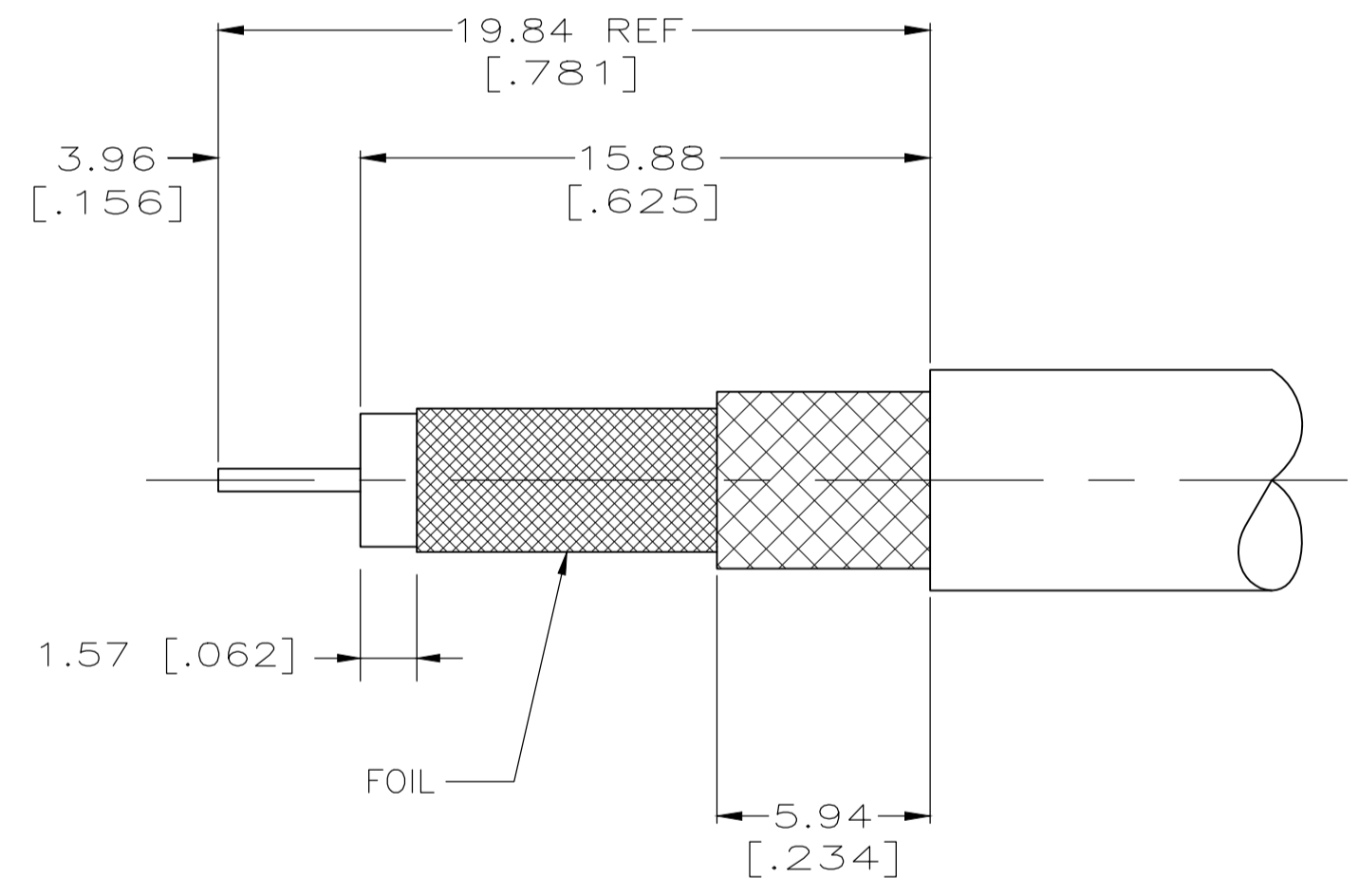
- USE INSTRUCTION SHEET 408-9089
- MAXIMUM PANEL THICKNESS: 6.10 [.240]
- DIELECTRIC MUST WITHSTAND A 6 POUND PUSHOUT FORCE
- USE WITH CRIMP TOOL 354940-1.
- USE WITH CRIMP TOOL 220190-1



RECOMMENDED STRIP LENGTH



RECOMMENDED PANEL CUTOUT



RECOMMENDED STRIP LENGTH FOR 5221221-9

△	AT&T 735A	58174-1	-	-	329633	1-1403077-9	1-329632-2	9-328666-2	221200-9	221255-3	5221221-9
△	BELDEN 9240, 9259, 9266	58085-1	-	-	329633	1-329631-2	1-329632-2	9-50428-0	2-221200-5	221255-2	5221221-7
△	RG-179/U, 179A/U, 179B/U, 187/U, 187A/U	58304-1	227194-2	222001-6	329633	1-329631-2	1-329632-2	9-328666-0	2-221200-0	221255-3	5221221-5
△	RG-59/U, 59A/U, 59B/U	58085-1	-	-	329633	1-329631-2	1-329632-2	9-50428-0	221200-3	221255-2	5221221-2
△	BELDEN 9248 AND MADISON 18AWG	58086-1	-	-	329633	1-329631-2	1-329632-2	9-50427-0	3-221200-2	221255-1	5221221-1
	CABLE	DIE SET	⑧ TUBING, PLASTIC QTY=1	⑦ TUBING, METAL QTY=1	⑥ GASKET QTY=1	⑤ JAM NUT QTY=1	④ LOCK WASHER QTY=1	③ FERRULE QTY=1	② CONTACT QTY=1	① JACK ASSEMBLY QTY=1	PART NUMBER

THIS DRAWING IS A CONTROLLED DOCUMENT.

DIMENSIONS: mm [INCHES]	TOLERANCES UNLESS OTHERWISE SPECIFIED:	0 PLC ± -	1 PLC ± -	2 PLC ± 0.41 [016]	3 PLC ± -	4 PLC ± -	ANGLES ± -
MATERIAL	FINISH	WEIGHT	0.000000	SCALE	5:1	SHEET	1 of 1

CUSTOMER DRAWING

DATE: 24 JAN 2005  
 BY: J. HAVENER  
 CHK: J. HAVENER  
 APVD: J. LIPPERT  
 NAME: JACK, BULKHEAD, 75 OHM, BNC  
 PRODUCT SPEC: 108-12095  
 APPLICATION SPEC: -  
 SIZE: A1  
 DRAWING NO: 00779  
 DRAWING NO: 5221221  
 RESTRICTED TO: -  
 REV: A3

## X-ON Electronics

Largest Supplier of Electrical and Electronic Components

*Click to view similar products for [RF Connectors / Coaxial Connectors](#) category:*

*Click to view products by [TE Connectivity](#) manufacturer:*

Other Similar products are found below :

[8915-1511-000](#) [89674-0827](#) [6001-7071-019](#) [6002-7051-003](#) [6002-7551-202](#) [6059674-1](#) [619550-1](#) [630059-000](#) [M39030/3-01N](#) [6500-7071-046](#) [6769](#) [CX050L2AQ](#) [7002-1541-010](#) [7002-1542-011](#) [7004-1512-000](#) [7009-1511-004](#) [7010-1511-000](#) [7029-1511-060](#) [7101-1541-010](#) [7101-1571-002](#) [7105-1521-002](#) [7145-1521-002](#) [7203-1571-003](#) [7209-1511-011](#) [7210-1511-015](#) [7210-1511-019](#) [73137-5015](#) [73216-2241](#) [73404-2300](#) [7405-1521-005](#) [7405-1521-802](#) [8527](#) [8547](#) [FS11V](#) [877931](#) [9049-9513-000](#) [9074-9513-000](#) [9101-9573-002](#) [910A205F](#) [9130-9573-002](#) [PL11SC-026](#) [PL375-33](#) [PL40-5](#) [PL74C-221](#) [PL75MC-217](#) [PL803-7](#) [1200690078](#) [1-201144-1](#) [R107003010W](#) [R110A172100](#)