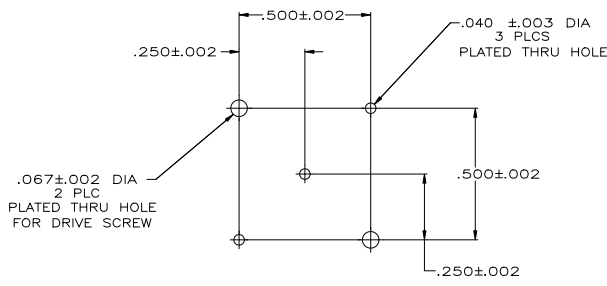
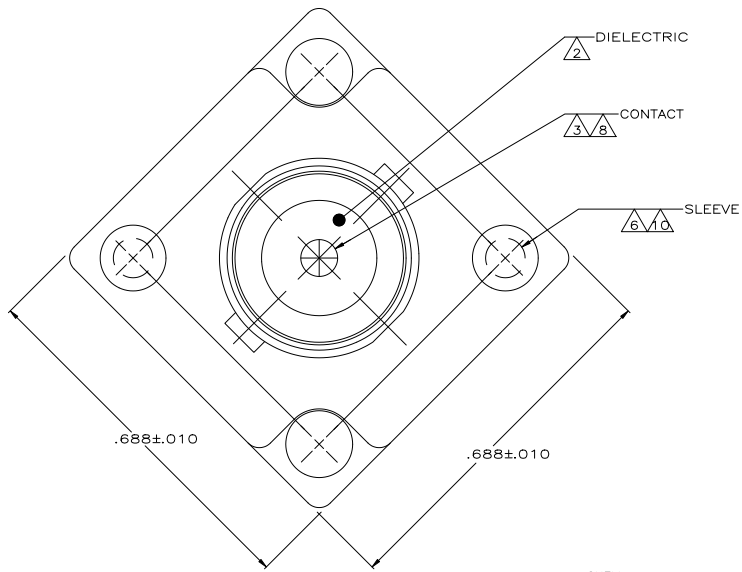
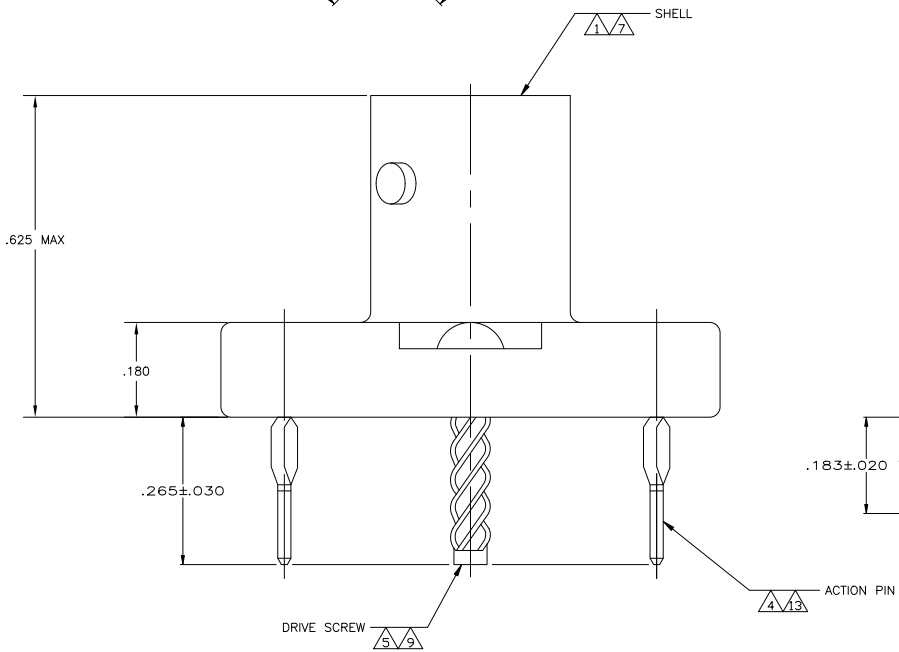


REVISIONS				
REV	DATE	DESCRIPTION	BY	APP'D
A1	ECO-15-013027		25JUN2018	RZ RS

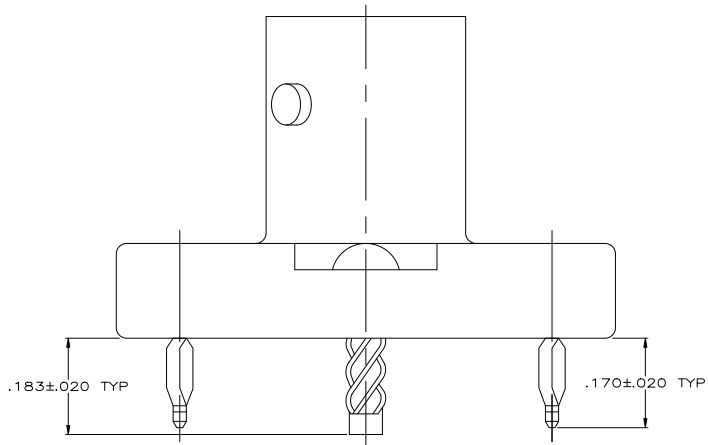


PCB CONFIGURATION SCALE 4:1

- 1 ZINC PER QQ-Z-363
- 2 PTFE PER MIL-P-19468
- 3 BERYLLIUM COPPER PER QQ-C-530
- 4 COPPER NICKEL ALLOY PER ASTM-B-122
- 5 STAINLESS STEEL PER ASTM-A-582
- 6 BRASS PER QQ-B-626
- 7 NICKEL PLATE PER QQ-N-290, .000200 MINIMUM THICKNESS
- 8 GOLD PLATE PER MIL-G-45204, .000030 - .000055 MINIMUM THICKNESS
- 9 PASSIVATE PER QQ-P-35
- 10 TIN PLATE PER ASTM-B-545, .000100 - .000200 MINIMUM THICKNESS
- 11 PREPARE BOARD AND TERMINATE PER APPLICATION SPEC 114-12001
- 12. SEE INSTRUCTION SHEET 408-9194.
- 13 GOLD PLATE PER MIL-G-45204.



VIEW A



VIEW B  
SAME AS VIEW A EXCEPT AS SHOWN

A	5221336-4
Obsolete B	5221336-3
VIEW	PART NUMBER

THIS DRAWING IS A CONTROLLED DOCUMENT. DWG: 1 - ALCORTA - 21APR2005, 2 - LIPPERT, 3 - HAVENER, 4 - LIPPERT, 21APR2005

DIMENSIONS:	INCHES	0 PLC ± .001	1 PLC ± .002	2 PLC ± .003	3 PLC ± .004	4 PLC ± .005	5 PLC ± .006	6 PLC ± .007	7 PLC ± .008	8 PLC ± .009	9 PLC ± .010
-------------	--------	--------------	--------------	--------------	--------------	--------------	--------------	--------------	--------------	--------------	--------------

PRODUCT SPEC: 108-12103  
APPLICATION SPEC: 7

SIZE	DATE CODE	DRAWING NO	RESTRICTED TO
A1	00779	C=5221336	—

SCALE: 8:1 SHEET 1 OF 1 REV A1

## X-ON Electronics

Largest Supplier of Electrical and Electronic Components

*Click to view similar products for [TE Connectivity](#) manufacturer:*

Other Similar products are found below :

[D38999/24FJ4AN](#) [570416-000](#) [CLTEQ-M81CE-SSRELAY-4-20V](#) [4-1195131-0](#) [650069-000](#) [SMD100-2](#) [358838-000](#) [CB-1022B-78](#)  
[RM707012](#) [RP410012](#) [MMS42](#) [1-640426-8](#) [2EDL4CM](#) [DTS20W19-11PD-3028-LC](#) [RM202615](#) [NC6-P104-06](#) [MSPS103B](#) [DTS26F21-41HE-LC](#) [DTS26F21-41AE](#) [DTS26F21-41PE-LC](#) [DTS26F21-11SE-3028-LC](#) [30DCB6](#) [1932144-1](#) [293545-4](#) [LVR125S](#) [MS27466T25F4PB](#)  
[CKB-38-78010](#) [TR04AI-TINELLOCKRING](#) [1206SFF150F/63-2](#) [D38999/20JB35HA](#) [TE1500A2R2J](#) [D38999/20WC8BB](#) [DTS24F19-11SC-3028-LC](#) [D38999/24WG11HA](#) [D38999/24WG11HN](#) [MS27467T21F11H](#) [DJT16E21-11HA](#) [MS27467T21F35J](#) [MS27467T21F11J](#)  
[MS27467T21F16H-LC](#) [MS27467T21F35H](#) [MS27467T21F41H-LC](#) [1206SFH150F/24-2](#) [RP330024](#) [DJT16E21-11PA-LC](#) [DJT16E21-11HA-LC](#) [DJT16E21-11AA](#) [MS27467T21B11JA](#) [DJT16E21-11JA](#) [MS27467T21B11JA-LC](#)