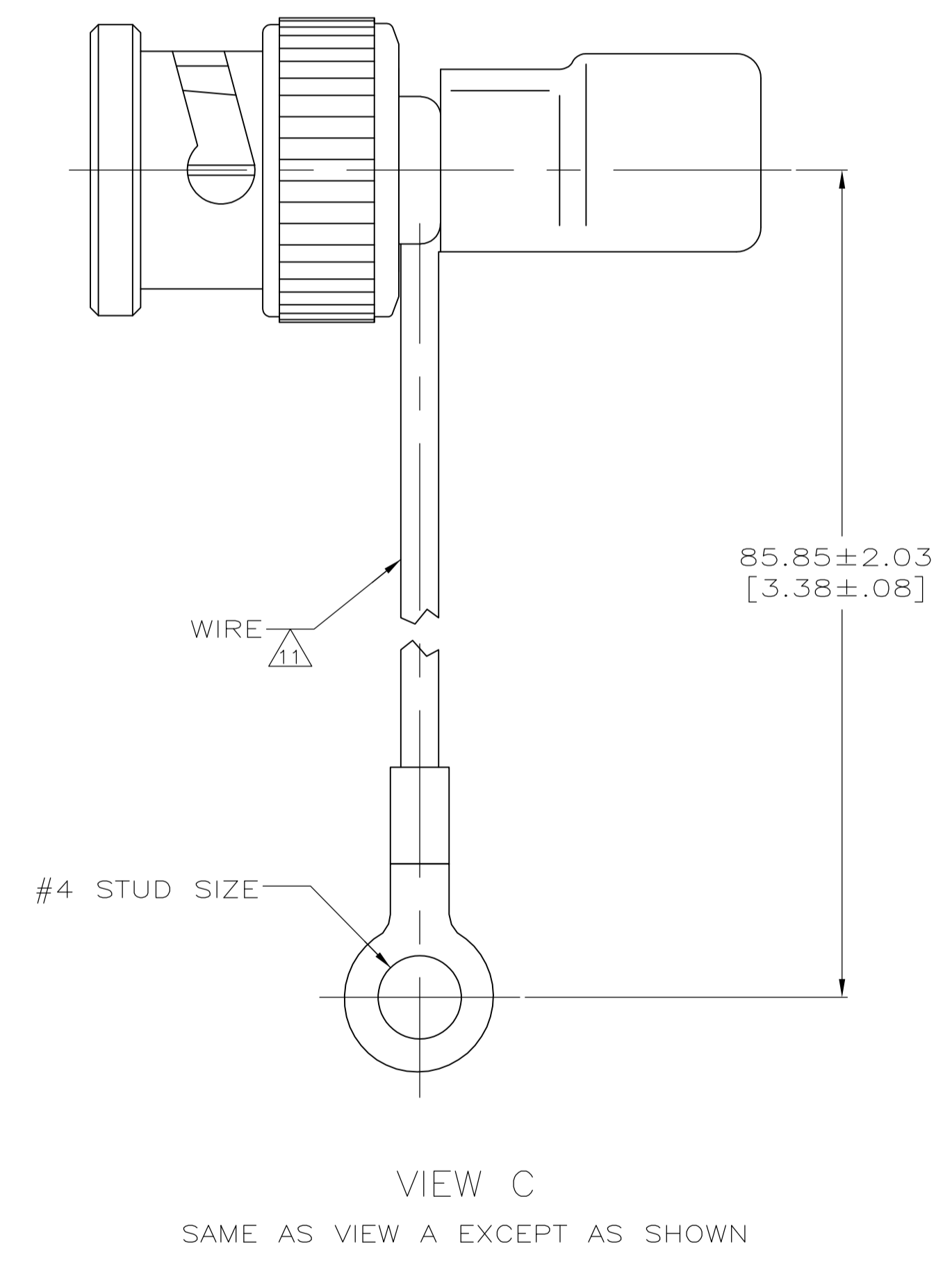
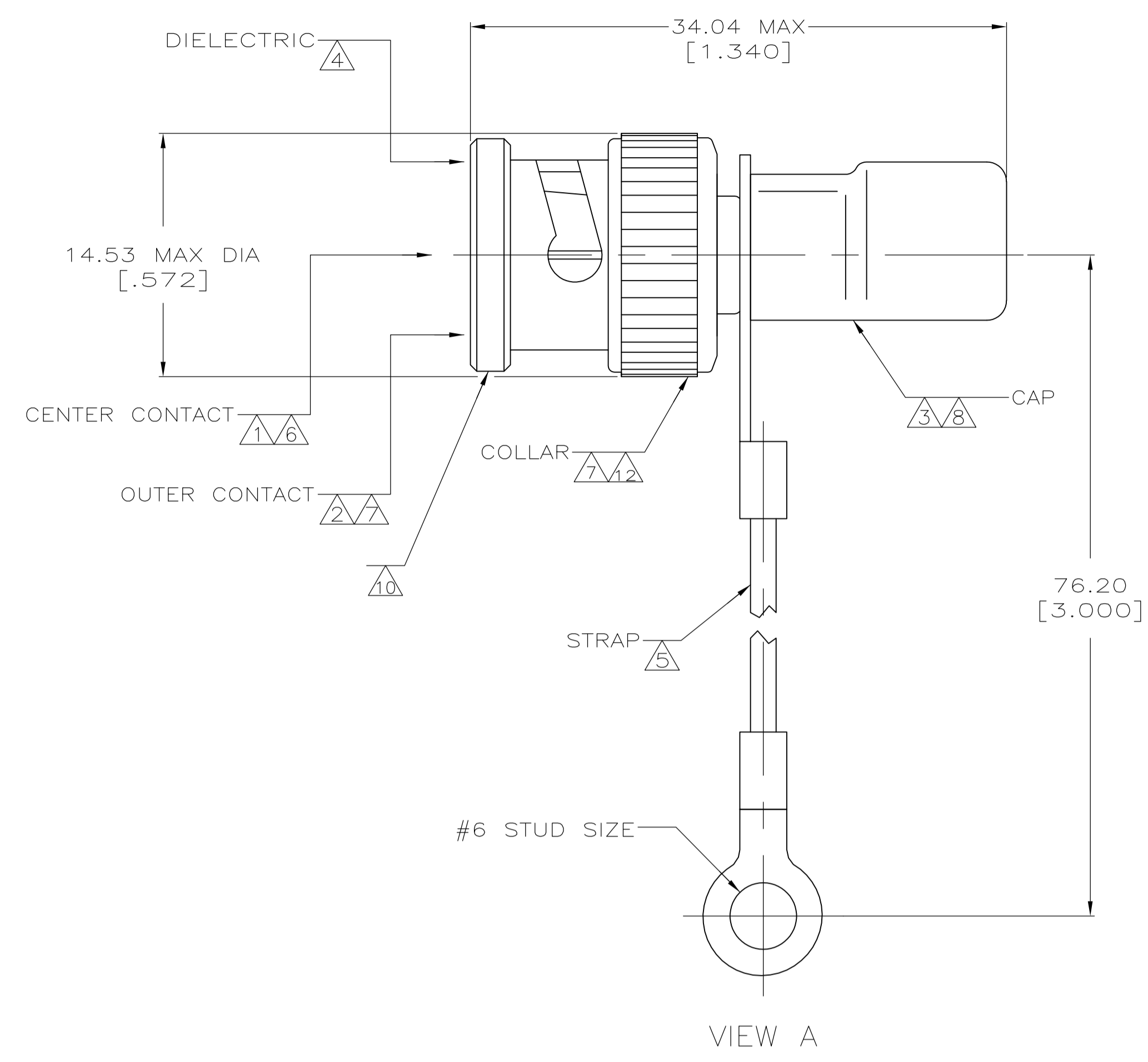


LOC	DIST	REVISIONS			
P	LTR	DESCRIPTION	DATE	DWN	APVD
AJ	16	P	REVISED PER ECO-11-005030	11MAR11	RK HMR



- 1 BRASS PER ASTM B 16.
- 2 BRASS PER ASTM B 36.
- 3 COPPER PER ASTM B 152.
- 4 POLYETHYLENE PER LP-390.
- 5 POLYESTER PER MIL-T-43435, COLOR NATURAL.
- 6 GOLD PLATE PER ASTM B 488, 0.76 μm [.000030] MINIMUM THICK.
- 7 NICKEL PLATE PER QQ-N-290, 1.27 μm [.000050] MINIMUM THICK.
- 8 TIN PLATE PER ASTM B 545, 2.54 μm [.000100] MINIMUM THICK.
- 9 TIN PLATE PER ASTM B 545, 3.81 μm [.000150] MINIMUM THICK.
- 10 VALUE MARKED ON CONNECTOR BODY AS SHOWN (SEE TABLE).
- 11 16 GAUGE INSULATED GROUND WIRE.
- 12 ZINC PER ASTM B 86.

WATT	TOLERANCE	OHM	MARKING	VIEW	PART NUMBER
1	1%	50	50Ω 1W	C	1-5221629-6
1	1%	50	50Ω 1W	B	5221629-9
1	1%	93	93Ω 1W	B	5221629-6
1	1%	75	75Ω 1W	B	5221629-5
1	1%	50	50Ω 1W	B	5221629-4
1	1%	75	75Ω 1W	A	5221629-2
1	1%	50	50Ω 1W	A	5221629-1

THIS DRAWING IS A CONTROLLED DOCUMENT.

DIMENSIONS: mm [INCHES]	TOLERANCES UNLESS OTHERWISE SPECIFIED:	DIN J. HAVENER 13DEC2005	STE TE Connectivity
0 PLC ± -	1 PLC ± -	CIK J. LIPPERT 13DEC2005	NAME TERMINATOR, PLUG, COMMERCIAL BNC
2 PLC ± -	3 PLC ± 3.18 [125]	APVD J. LIPPERT 13DEC2005	PRODUCT SPEC
4 PLC ± -	ANGLES ± -	APPLICATION SPEC	SIZE CASE CODE DRAWING NO
MATERIAL -	FINISH -	WEIGHT -	A1 00779 C=5221629
CUSTOMER DRAWING		SCALE 4:1	SHEET 1 OF 1 REV P

X-ON Electronics

Largest Supplier of Electrical and Electronic Components

Click to view similar products for [RF Terminators](#) category:

Click to view products by [TE Connectivity](#) manufacturer:

Other Similar products are found below :

[M390303-02N](#) [M39030/3-04S](#) [M39030/3-09S](#) [M39030/3-11N](#) [TNG1-9-78-D3](#) [TNA2-50](#) [TNG1-6-78](#) [TNH1-1-50](#) [TNGFL1-1-78](#)
[R4042N5000](#) [53S1RR-001N3](#) [142275](#) [56S1RR-001N4](#) [65_BNC-50-0-7/133_NE](#) [71S1RR-001N4](#) [02S17R-001D3](#) [R404240120](#) [R404260000](#)
[HT-10-2](#) [FL LCX 50-OHM-RSMA](#) [M39030/3-04N](#) [TNA1-6-50](#) [131-3801-811](#) [TNA1-1-50](#) [65_N-50-0-51/113_NE](#) [65_BNC-50-0-2/133_NE](#)
[65_N-50-0-1/133_NE](#) [65002_N-50-1/122_NE](#) [65_MMCX-50-0-31/111_OE](#) [18K15R-0.5E3](#) [2702702](#) [TRM-2161-M0-35M-02](#) [53S17R-](#)
[001N3](#) [1100.19.0001](#) [6701.01.B](#) [18S24H-40ML5](#) [TRM-2053-M0-NNN-02](#) [R404759000](#) [M39030/6-02N](#) [TRM-2053-MC-NNN-02](#)
[M39030/3-03S](#) [SF8012-6009](#) [6701.01.A](#) [65_MCX-50-0-4/111_NE](#) [65_716-50-0-2/003_-E](#) [65_SMB-50-0-1/111_NE](#) [M39030/3-12N](#) [82-](#)
[5722-RFX](#) [8018-6174](#) [SF8018-6005](#)