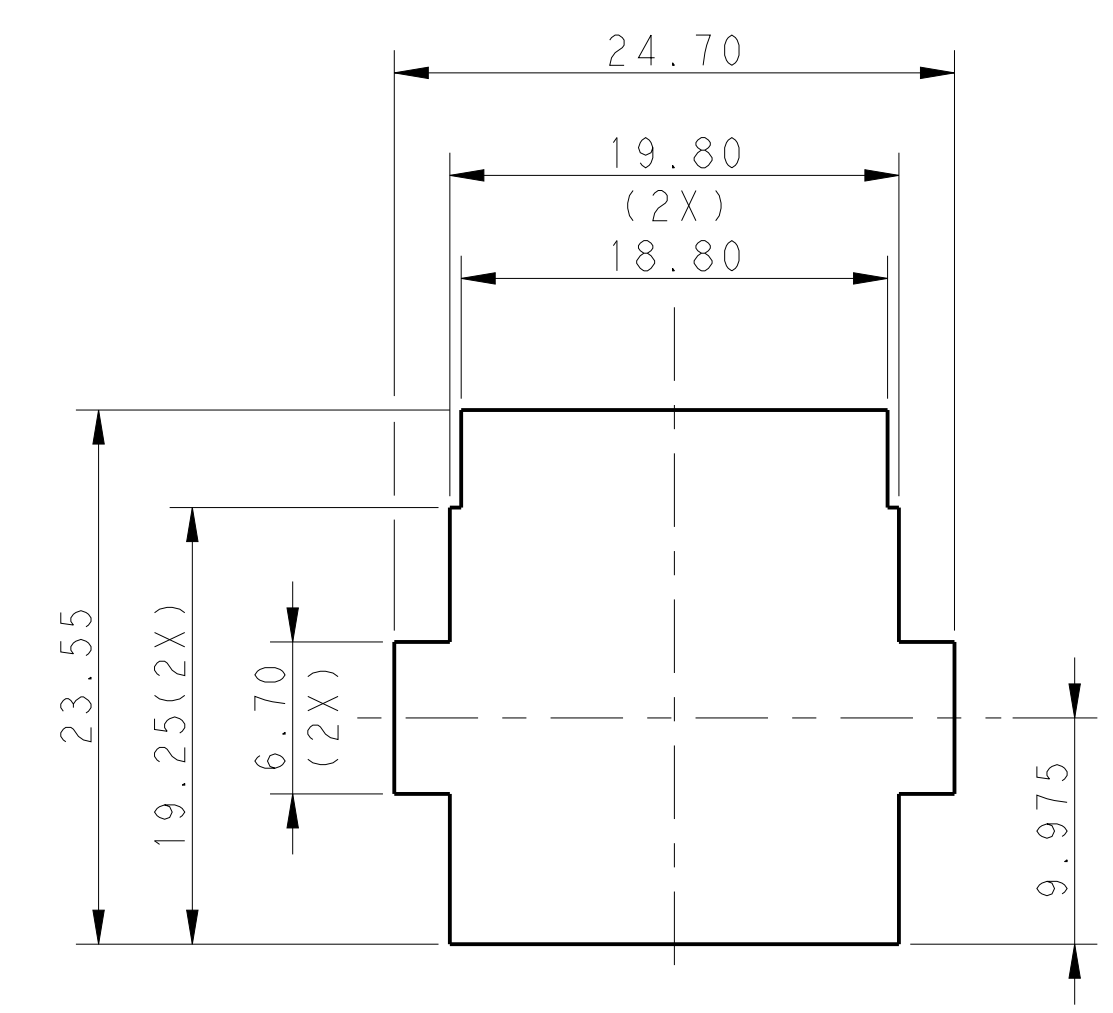
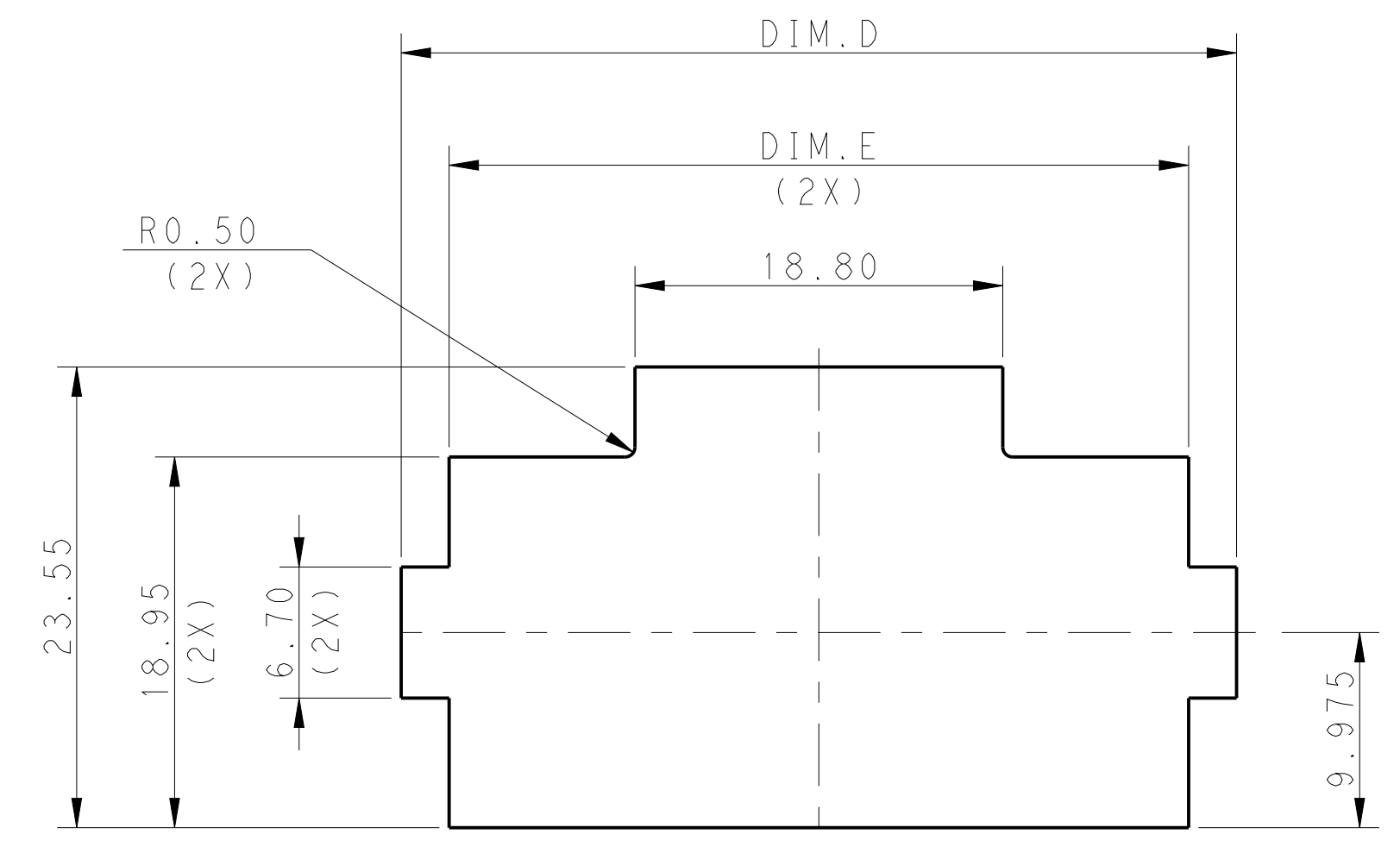
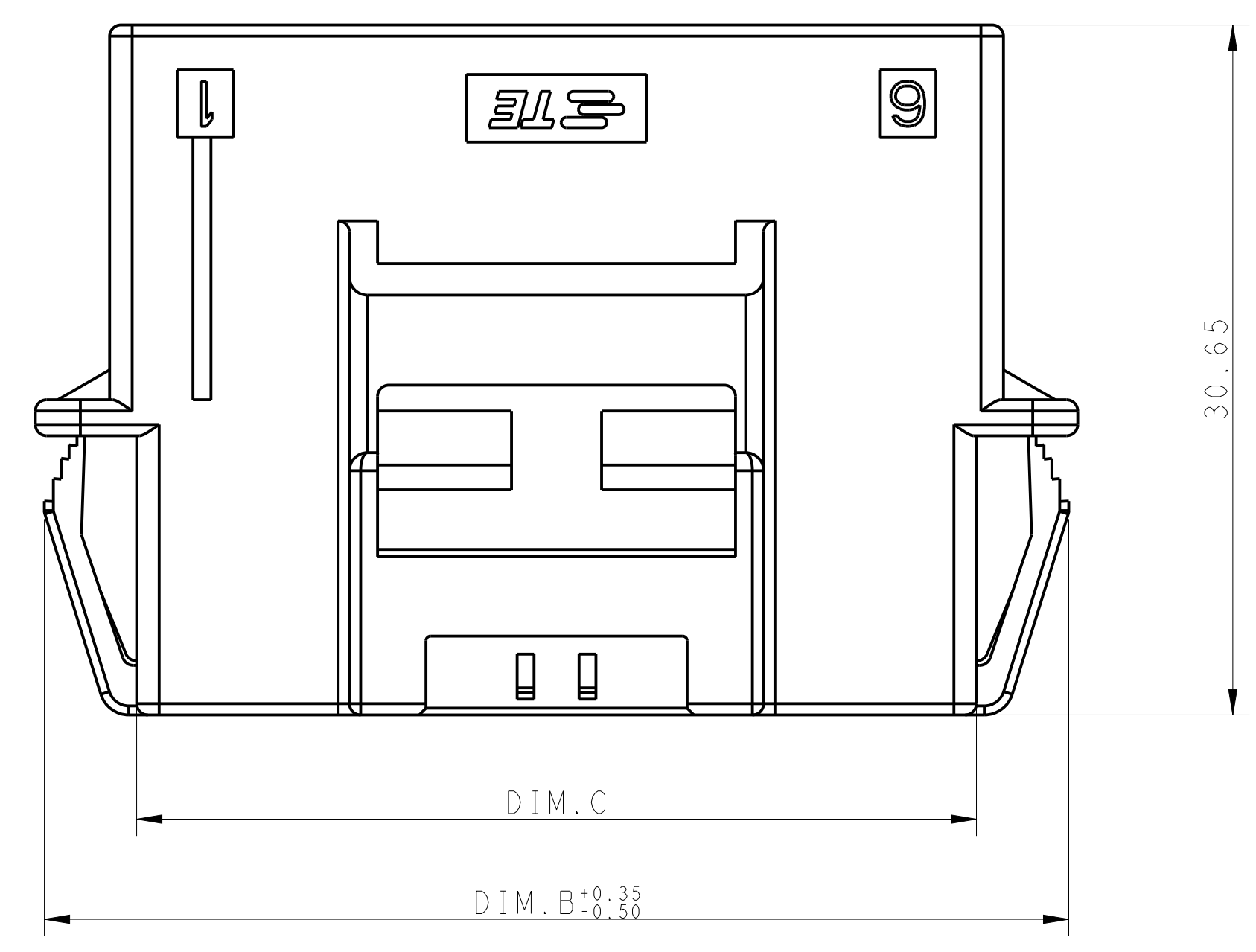
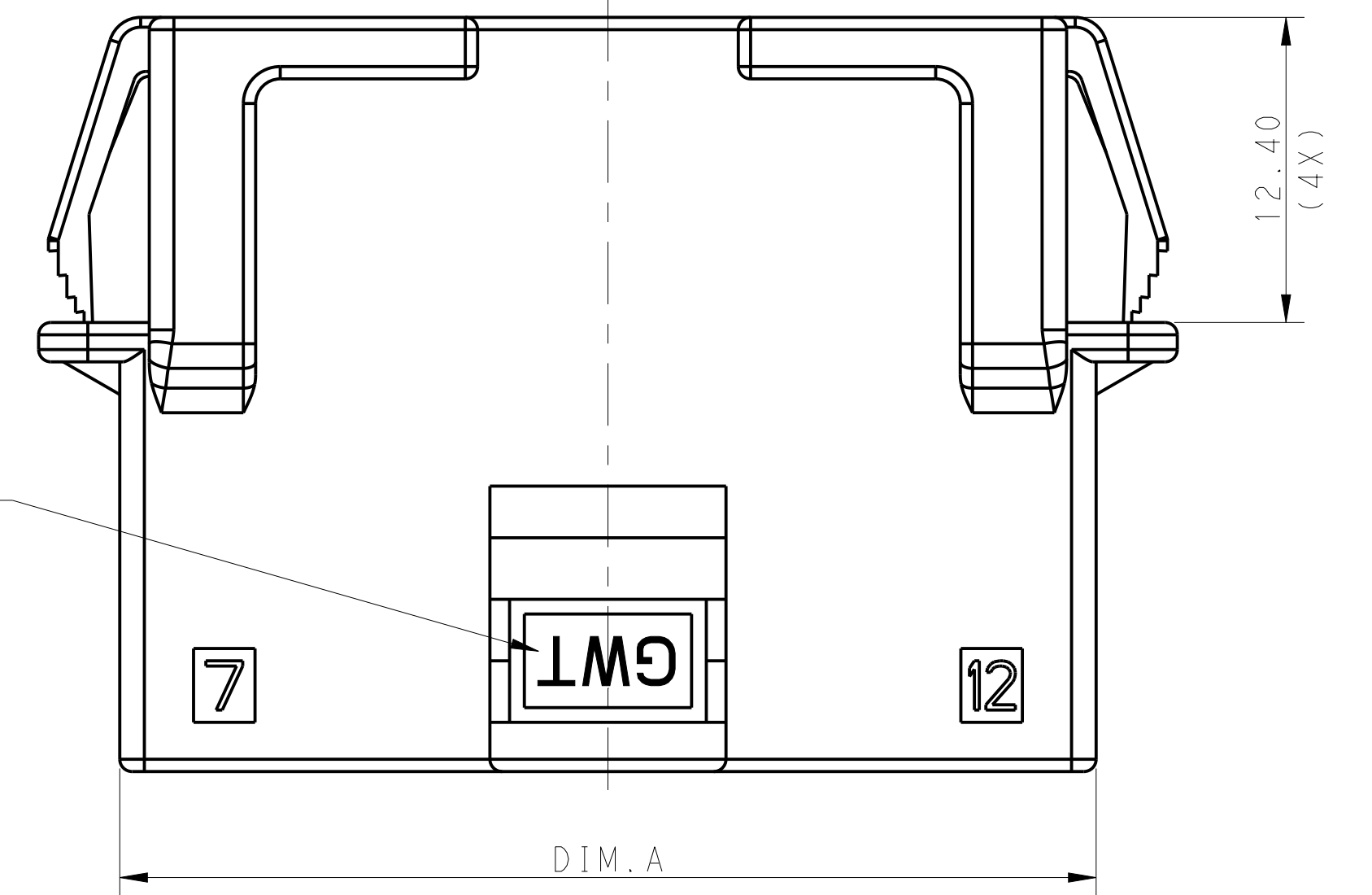
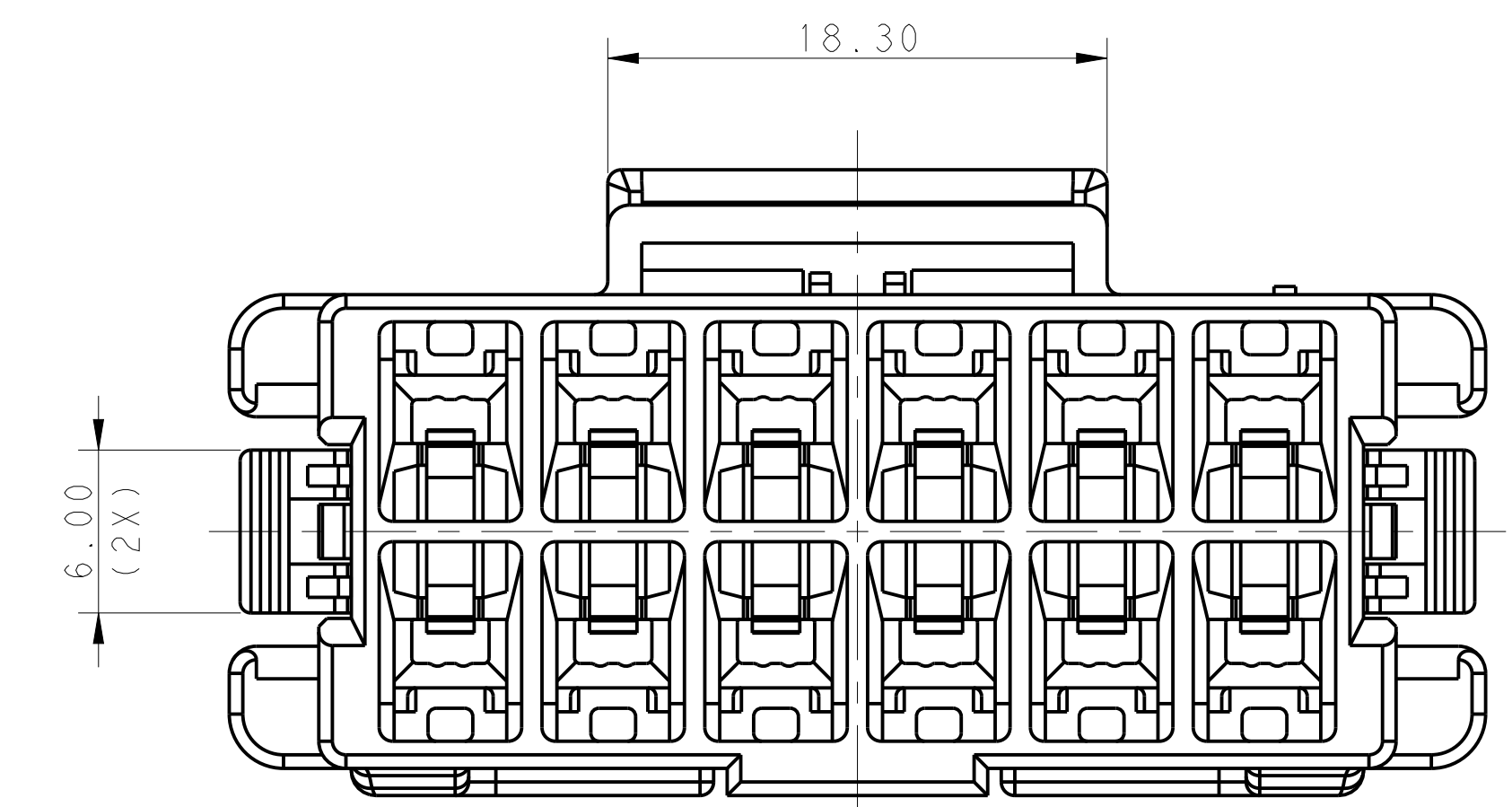
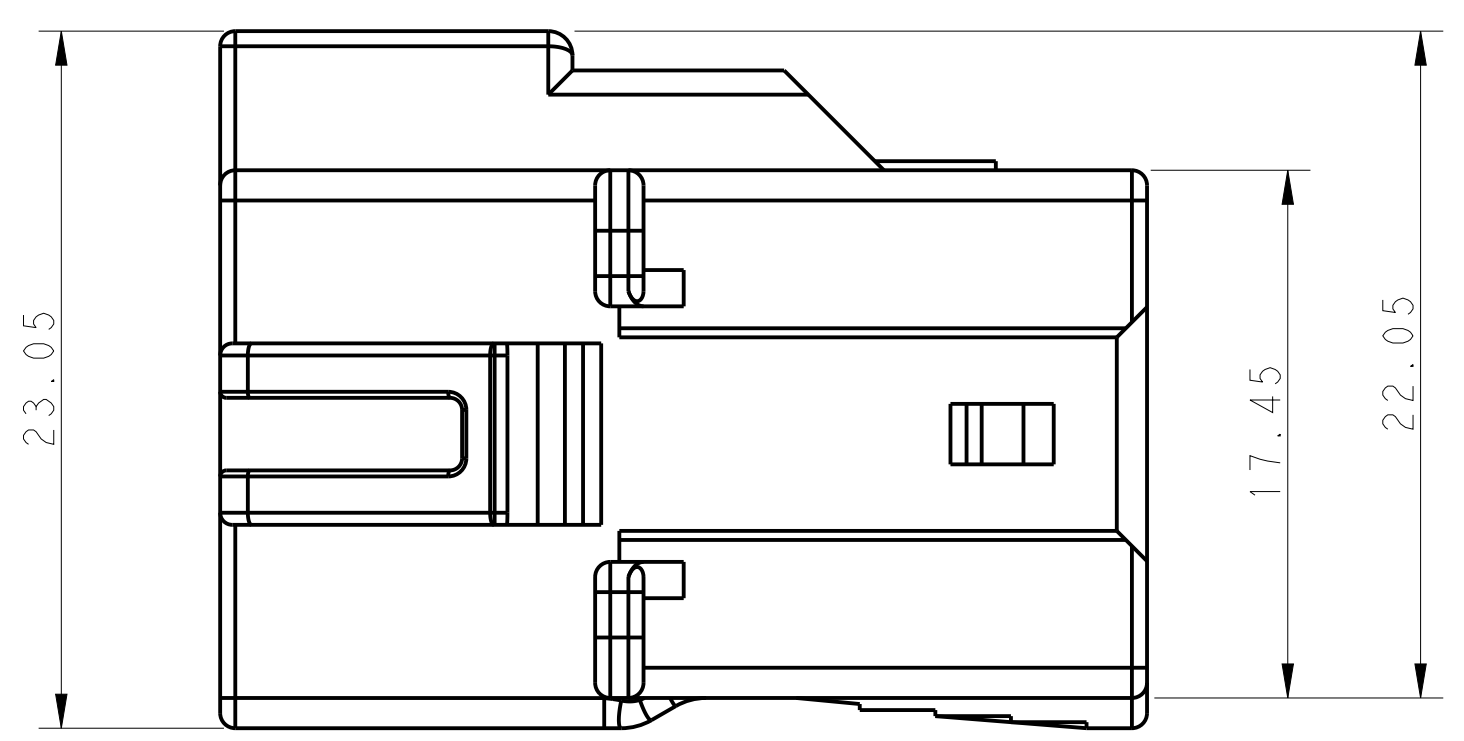
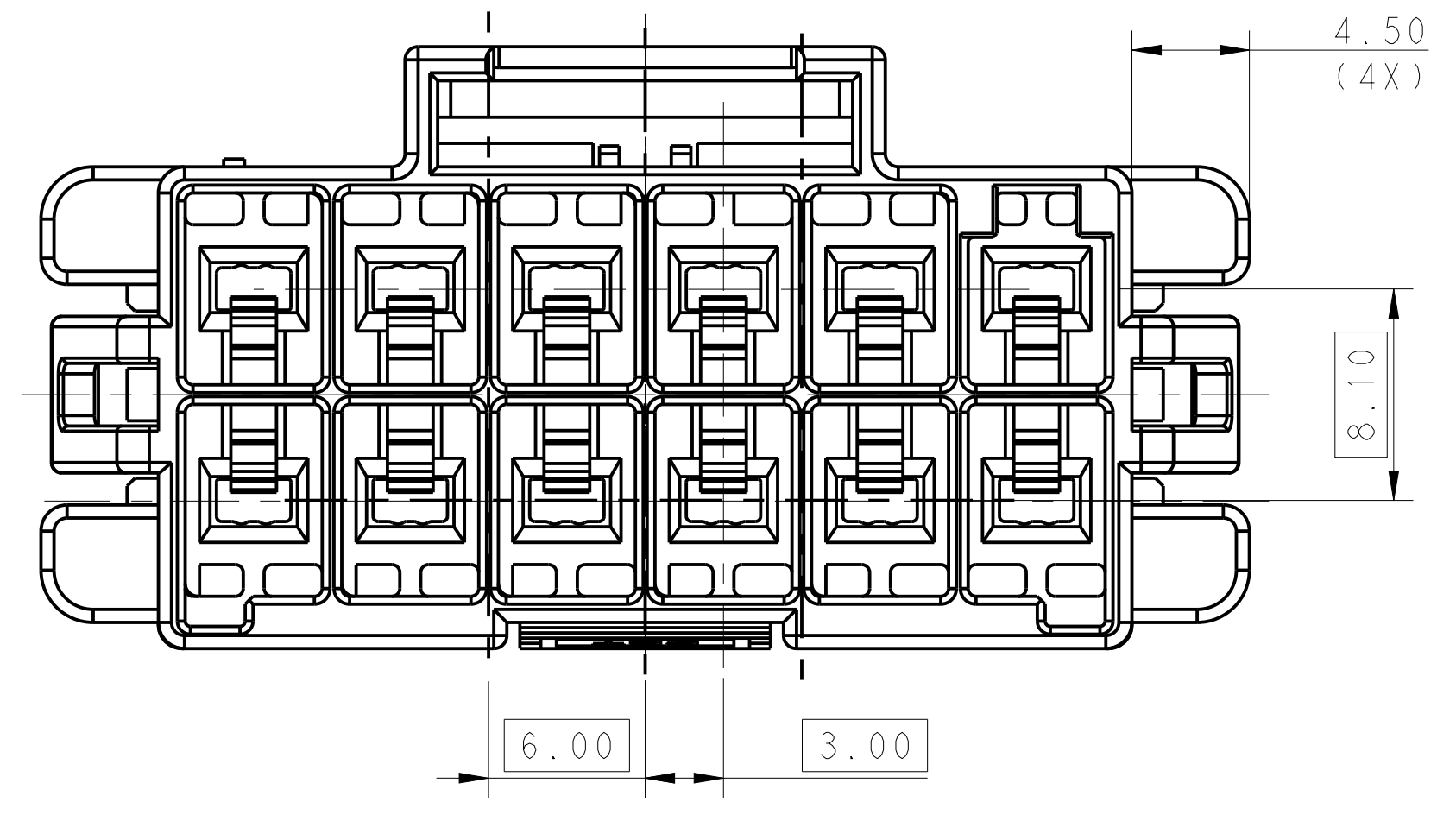


REVISONS		DATE	DWN	APVD
P	LTM			
C		08APR2021	SS	VS



RECOMMENDED PANEL OPENING DIMENSIONS FOR CAP HOUSING 2*6 AND 2*5 AND 2*4 POSITIONS (TOLERANCE: ±0.15mm)

RECOMMENDED PANEL OPENING DIMENSIONS FOR CAP HOUSING 2*3 POSITION (TOLERANCE: ±0.15mm)



- MATERIAL:
 LEVEL A: PA6 GLASS FILLED, COMPLY WITH GLOW WIRE REQUIREMENTS FOR PARTS OF NON-METALLIC MATERIAL SUPPORTING A CURRENT-CARRYING CONNECTION DETAILED IN IEC 60335-1, SECTION 30 (GWT), UL 94V-0
 LEVEL B: PBT GLASS FILLED, HOT WIRE IGNITION (HWI) VERSION ARE MOLDED IN A RESIN THAT COMPLIES WITH TE PENDING HOT WIRE IGNITION TEST AND ARE RECOMMENDED FOR USE WITH HWI HOUSINGS THAT ALSO COMPLY, UL 94V-0

MATERIAL MARK:
 LEVEL A:GWT, LEVEL B:HWT

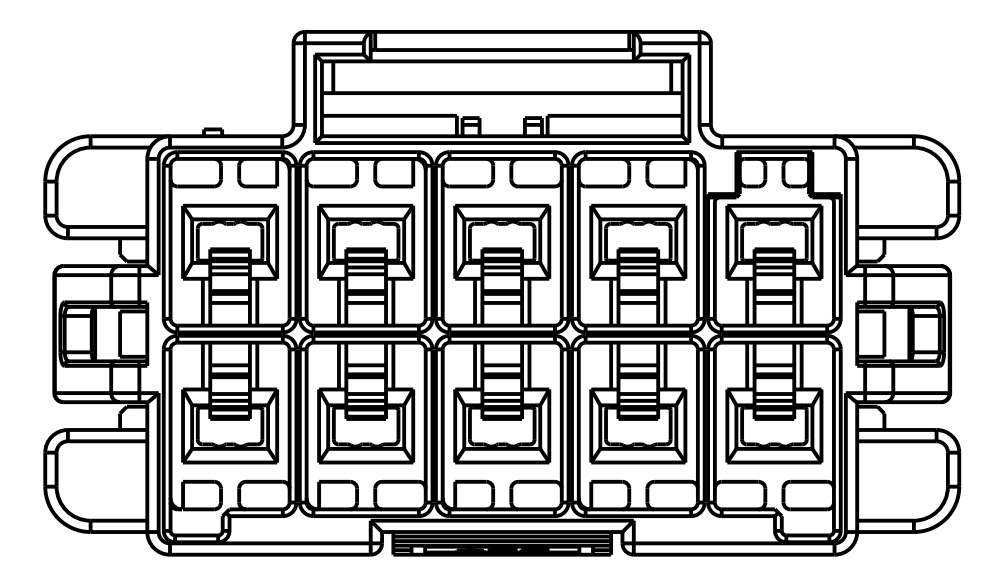
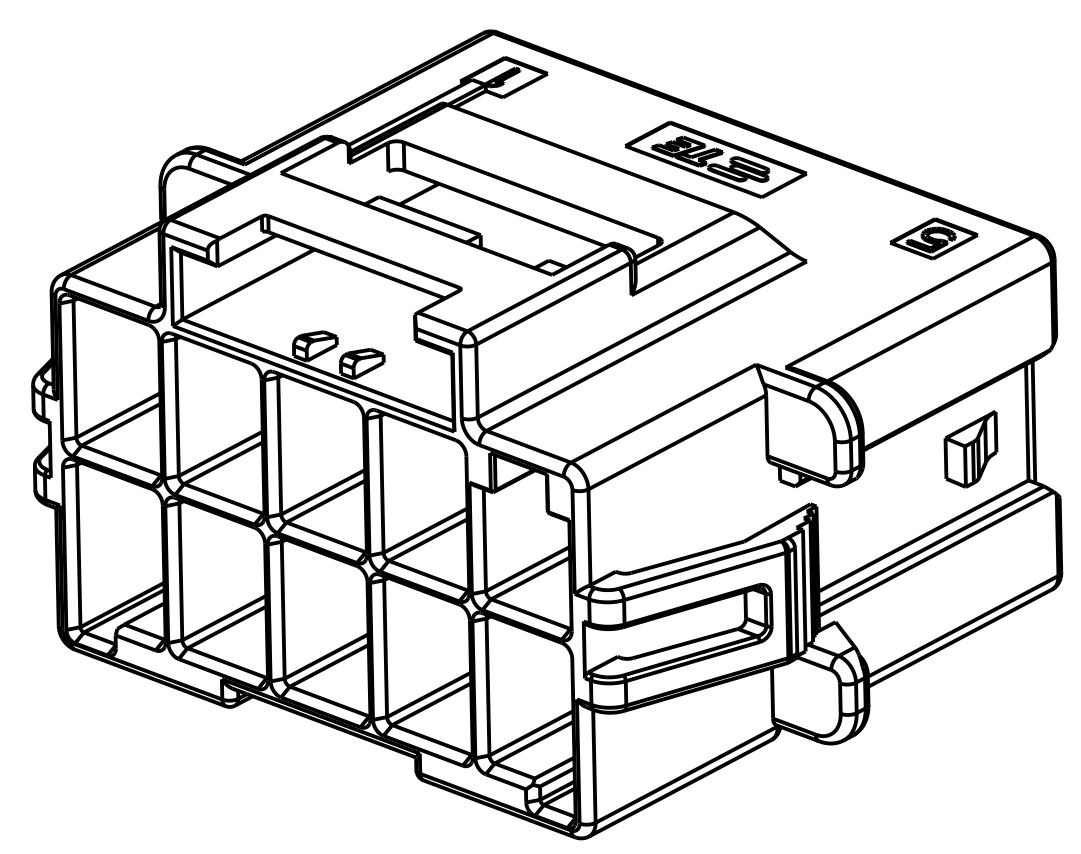
- APPLICABLE CONTACT P/N
 TAB CONTACT: 1971238/1971780/82/84/86/88-*, 2238067-*, *-2324732-*
- MATING CONN, P/N
 PLUG HSG: *-2232266-*,
 TPA (LOCK PLATE): *-1971778-*
- RECOMMENDED PANEL THICKNESS: 1.0~2.0mm

POS	A	B	C	D	E
2*6	39.70	45.5	37.30	42.70	37.80
2*5	33.70	39.5	31.30	36.70	31.80
2*4	27.70	33.5	25.30	30.70	25.80
2*3	21.70	27.5	19.30		

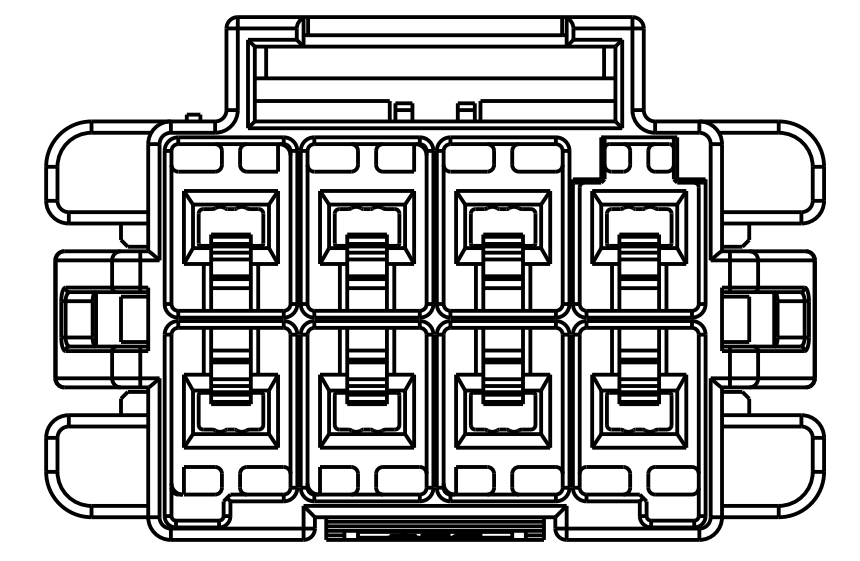
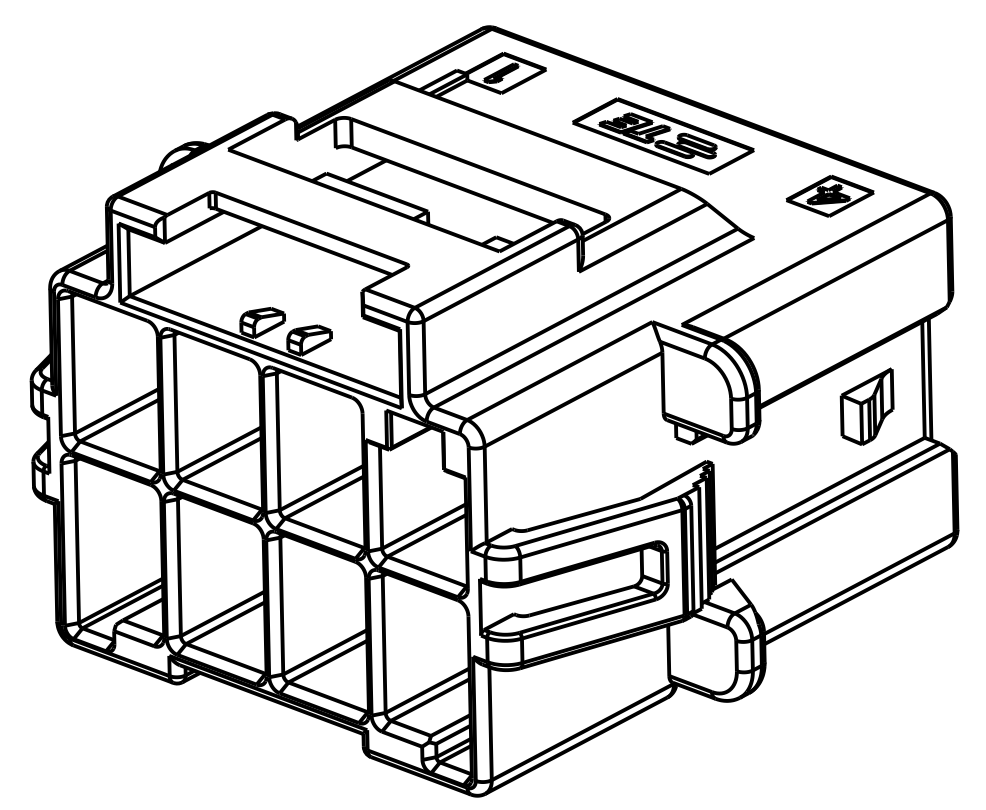
THIS DRAWING IS A CONTROLLED DOCUMENT.

DIMENSIONS:	TOLERANCES UNLESS OTHERWISE SPECIFIED:	DWN	26MAR2013	TE Connectivity NAME: CAP HOUSING, PANEL MOUNT, DOUBLE ROW POWER TRIPLE LOCK
mm	0 PLC ±	CHK	TOMMY WU 26MAR2013	
	1 PLC ±0.35	APVD	HAPYE WU 26MAR2013	
	2 PLC ±0.25	APVD	YUZHONG MAO 26MAR2013	
	3 PLC ±	PRODUCT SPEC		SIZE
	4 PLC ±	APPLICATION SPEC		CAGE CODE
	ANGLES ±	114-106118		DRAWING NO
MATERIAL	FINISH	WEIGHT		RESTRICTED TO
				A100779
				Customer Drawing
				SCALE
				SHEET 1 OF 2
				REV C

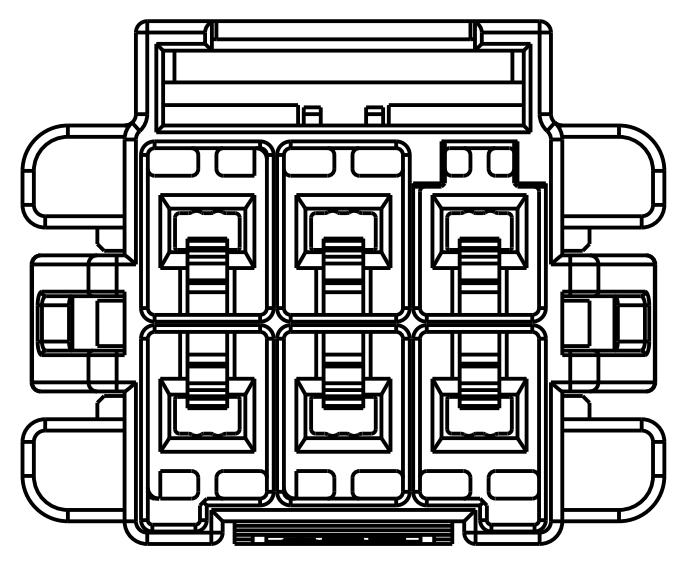
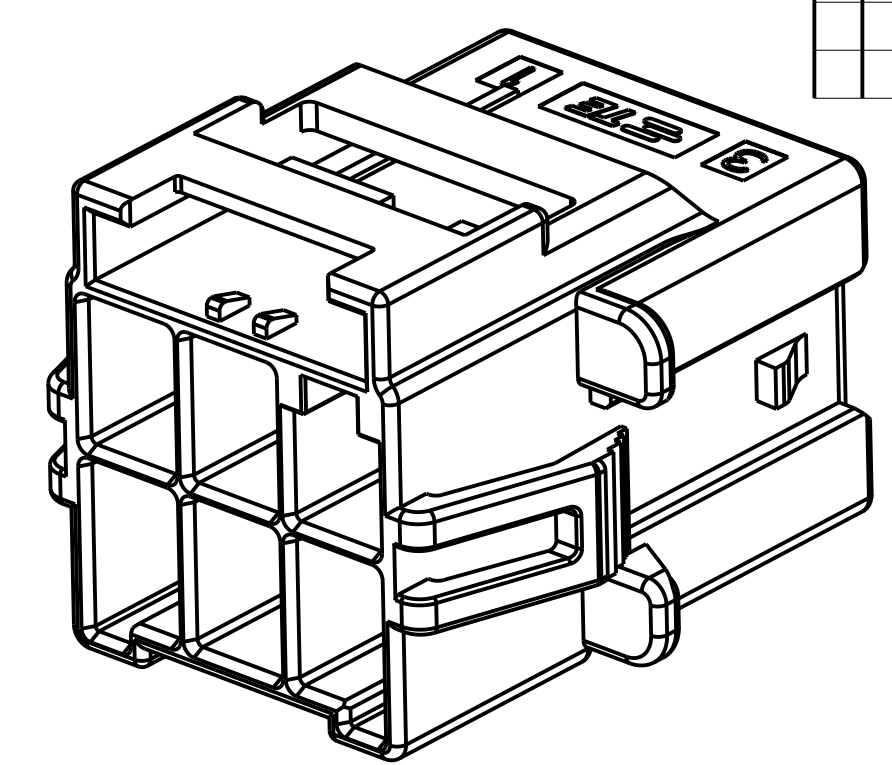
REVISONS		DATE	OWN	APVD
LOC	DIST			
DESCRIPTION				
SEE SHEET 1				



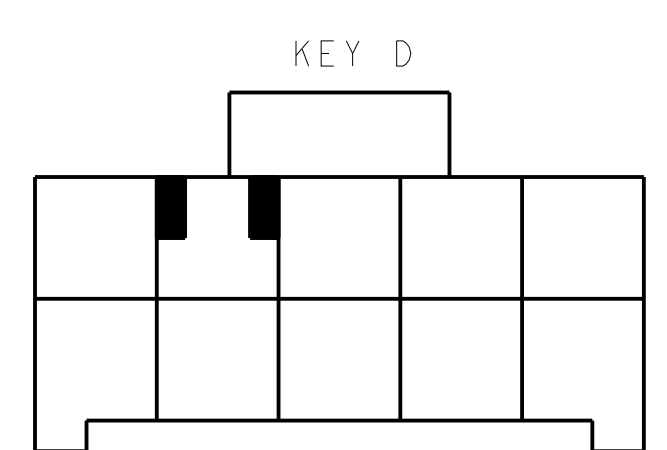
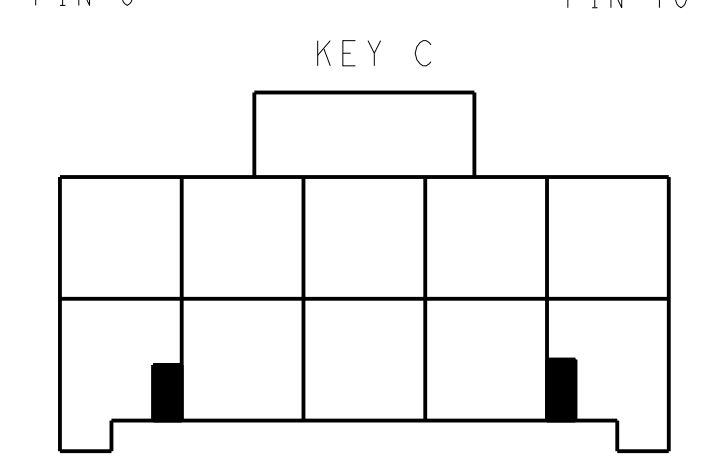
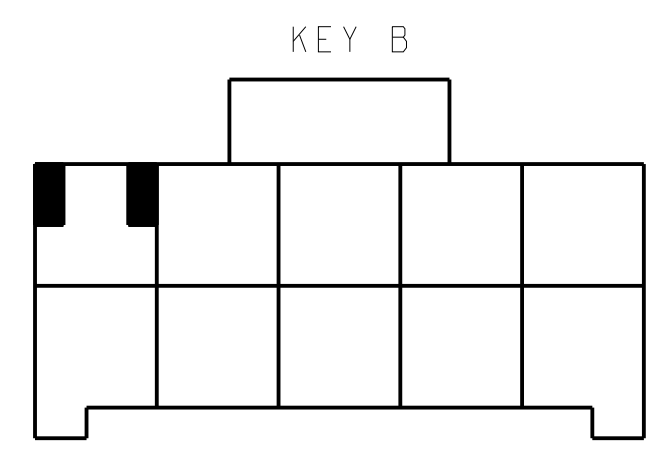
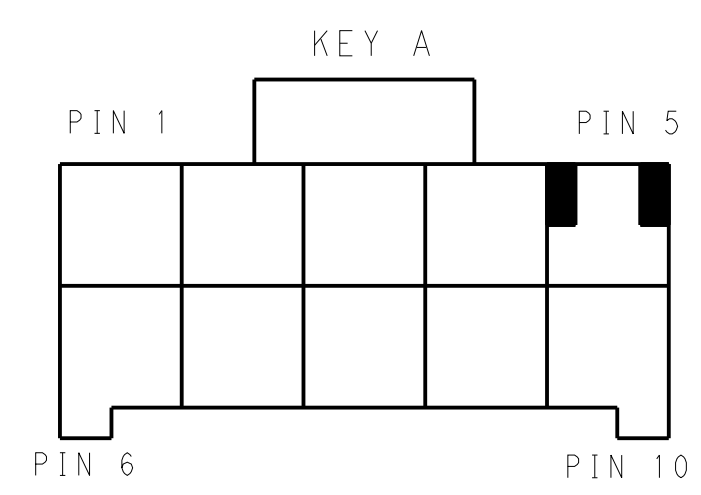
2*5 POSITIONS



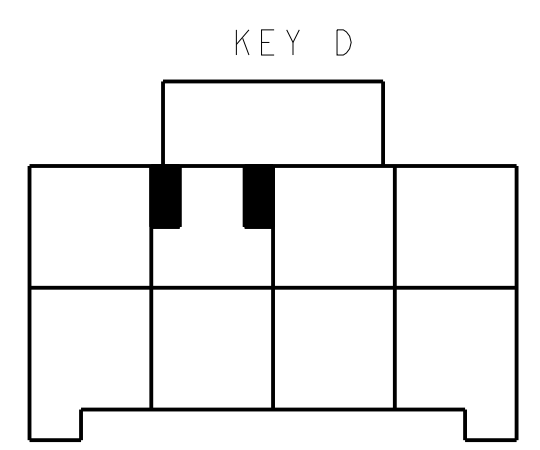
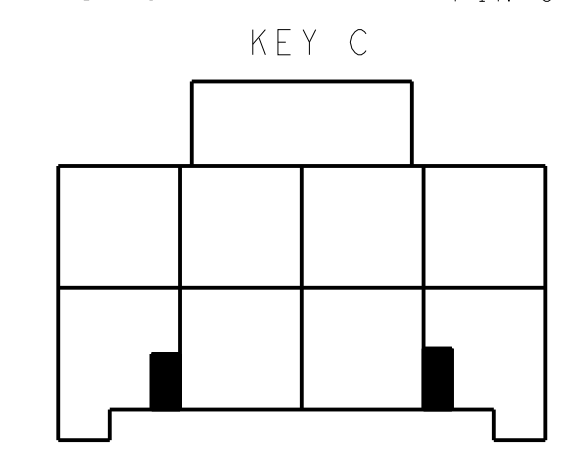
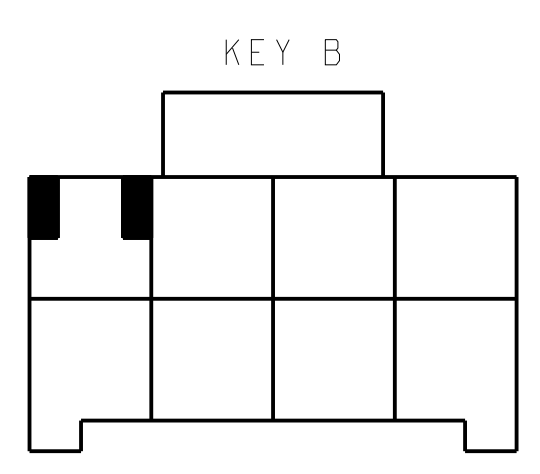
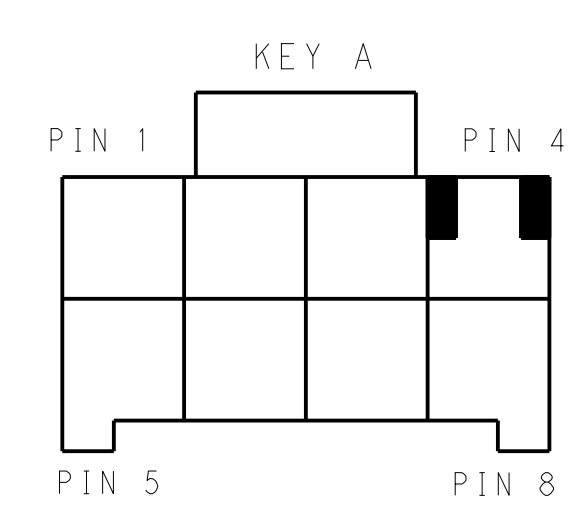
2*4 POSITIONS



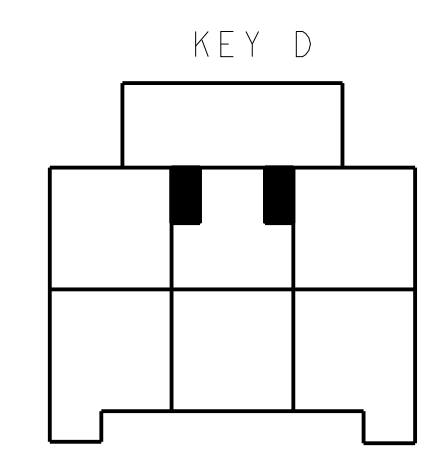
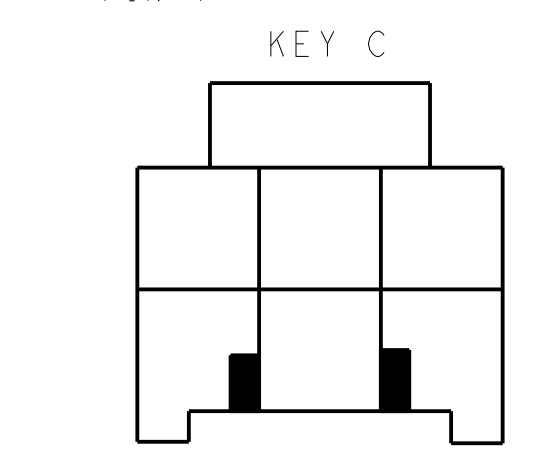
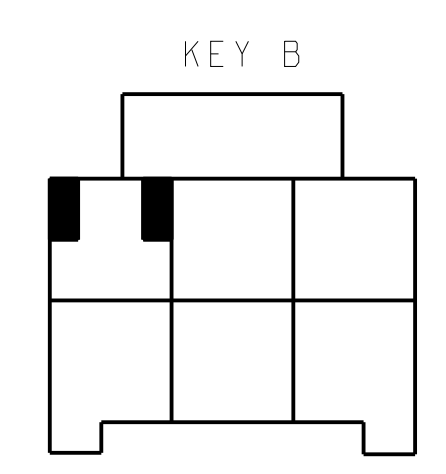
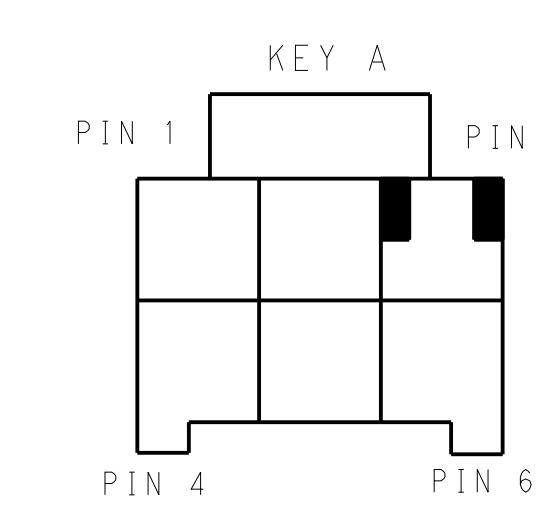
2*3 POSITIONS



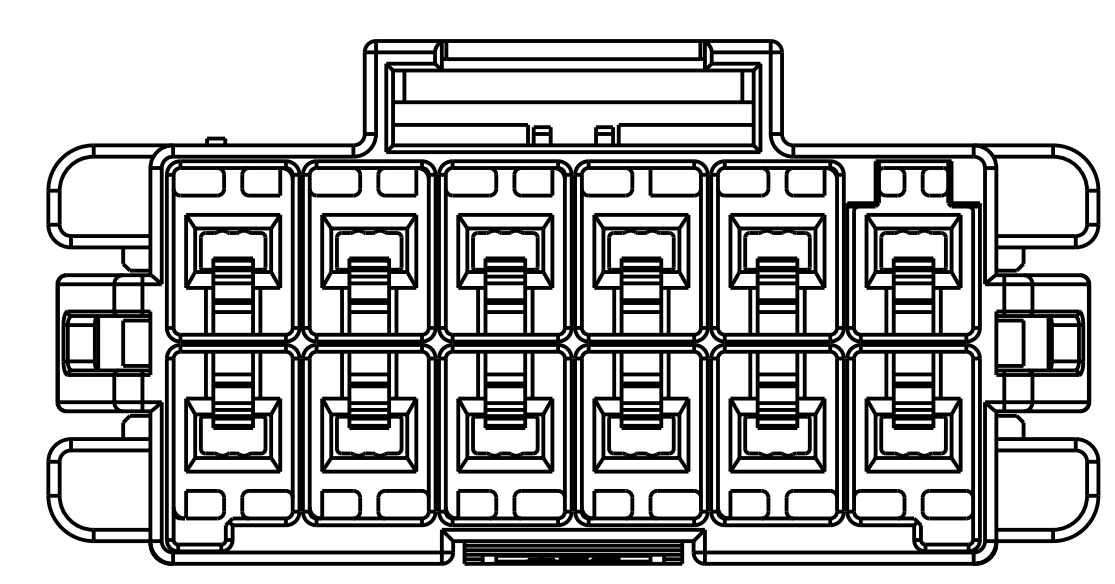
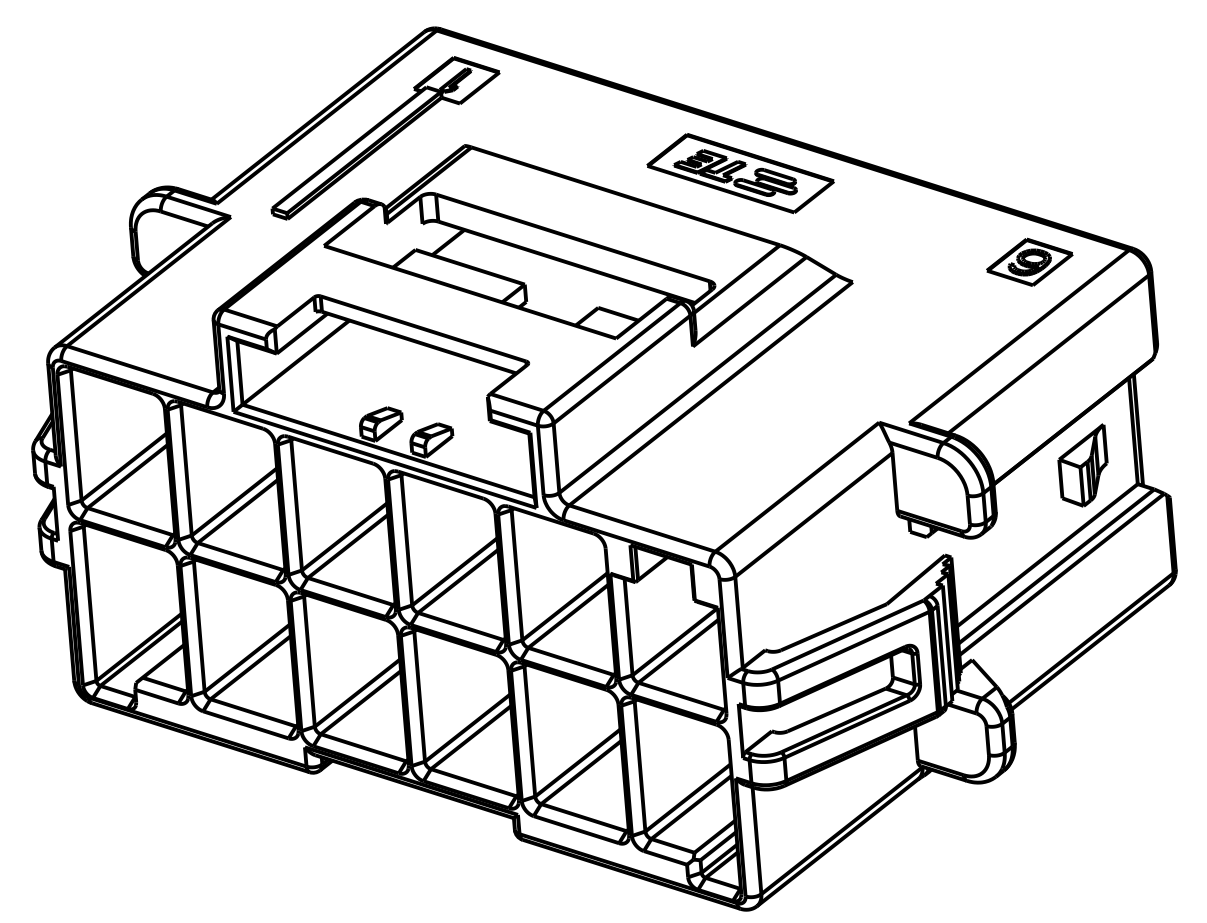
KEYING FOR 2*5 POS.



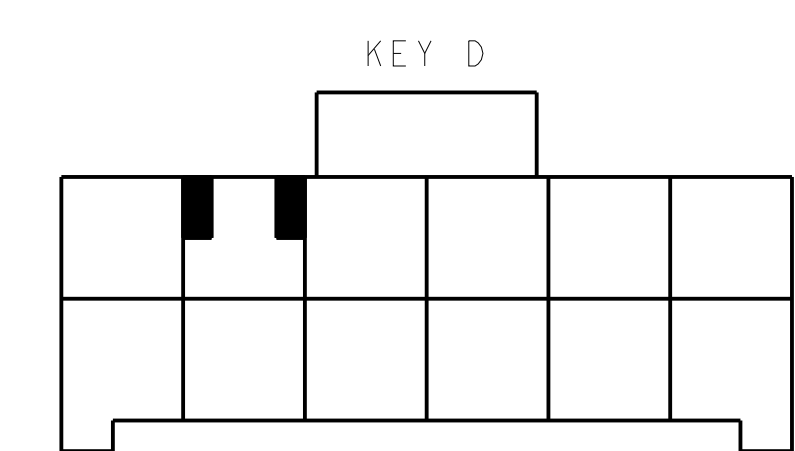
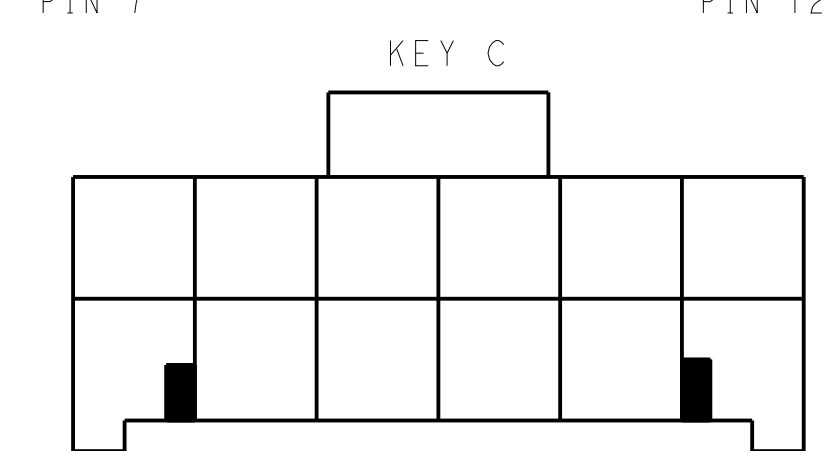
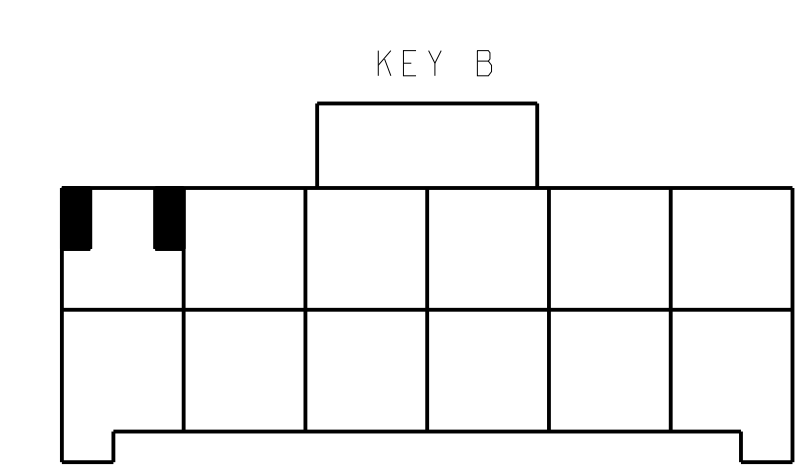
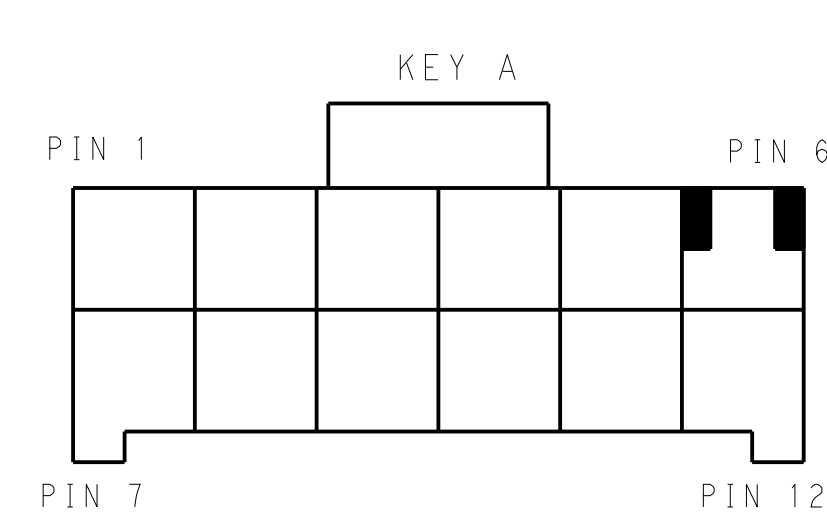
KEYING FOR 2*4 POS.



KEYING FOR 2*3 POS.



2*6 POSITIONS



KEYING FOR 2*6 POS.

POS.	MATERIAL	COLOR	KEY	P/N
2*6	LEVEL A	DARK GREY	KEY A	5-2232264-6
		BROWN	KEY B	6-2232264-6
		GREEN	KEY C	7-2232264-6
		ORANGE	KEY D	8-2232264-6
2*5	LEVEL A	DARK GREY	KEY A	5-2232264-5
		BROWN	KEY B	6-2232264-5
		GREEN	KEY C	7-2232264-5
		ORANGE	KEY D	8-2232264-5
2*4	LEVEL A	DARK GREY	KEY A	5-2232264-4
		BROWN	KEY B	6-2232264-4
		GREEN	KEY C	7-2232264-4
		ORANGE	KEY D	8-2232264-4
2*4	LEVEL B	BLACK	KEY A	1-2232264-4
2*3	LEVEL A	DARK GREY	KEY A	5-2232264-3
		BROWN	KEY B	6-2232264-3
		GREEN	KEY C	7-2232264-3
		ORANGE	KEY D	8-2232264-3
2*3	LEVEL B	BLACK	KEY A	1-2232264-1

THIS DRAWING IS A CONTROLLED DOCUMENT. OWN: TOMMY_WU 26MAR2013. CHK: HAPYE_WU 26MAR2013. APVD: YUZHONG_MAO 26MAR2013.

DIMENSIONS: mm. TOLERANCES UNLESS OTHERWISE SPECIFIED: 0 PLC ±.1, 1 PLC ±0.35, 2 PLC ±0.25, 3 PLC ±.1, 4 PLC ±.1, ANGLES ±.

MATERIAL: -. FINISH: -. WEIGHT: -. SCALE: -. SHEET 2 OF 2. REV C.

Customer Drawing. SIZE: A1. CAGE CODE: 100779. DRAWING NO: 114-106118. APPLICATION SPEC: 108-106118. PRODUCT SPEC: YUZHONG_MAO 26MAR2013.

STE TE Connectivity. NAME: CAP HOUSING, PANEL MOUNT, DOUBLE ROW POWER TRIPLE LOCK.

X-ON Electronics

Largest Supplier of Electrical and Electronic Components

Click to view similar products for [Headers & Wire Housings](#) category:

Click to view products by [TE Connectivity](#) manufacturer:

Other Similar products are found below :

[892-18-020-10-001101](#) [58102-G61-06LF](#) [582553-1](#) [0009485154](#) [009176003701906](#) [0050291907](#) [LY20-4P-DT1-P1E-BR](#) [02.125.8002.8](#)
[609-3404](#) [61062-3](#) [61082-181009](#) [622-3653LF](#) [63453-116](#) [636-1030](#) [636-1427](#) [636-3427](#) [636-4007](#) [641938-9](#) [641991-4](#) [644827-2](#) [65817-](#)
[010LF](#) [65817-015LF](#) [65863-015LF](#) [66207-023LF](#) [67095-007LF](#) [67601157](#) [68645-018](#) [68648-049](#) [70.362.1628.0](#) [70-4210](#) [70-4226B](#) [70-](#)
[4853B](#) [707-5020](#) [707-5028](#) [71.350.2428.0](#) [71918-208LF](#) [71961-016LF](#) [733-134](#) [733-162](#) [754199-000](#) [760-3052](#) [787-8014-00](#) [79531-3000](#)
[FCN-360C032-B](#) [FCN-367T-T012/H](#) [FCN-723D010/2](#) [80.063.4001.1](#) [800-90-001-10-001000](#) [800-90-010-10-002000](#) [801-43-002-10-013000](#)