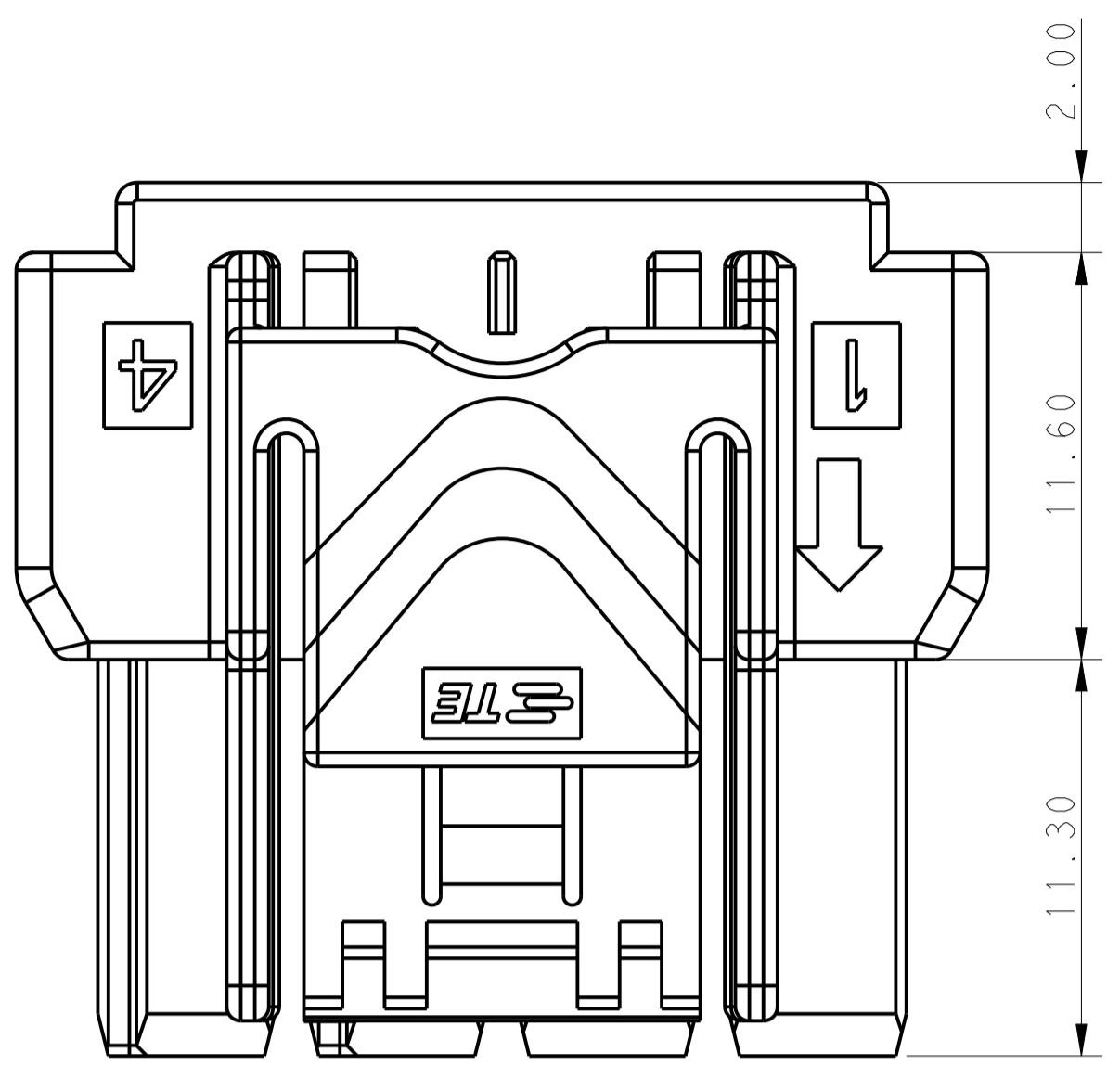
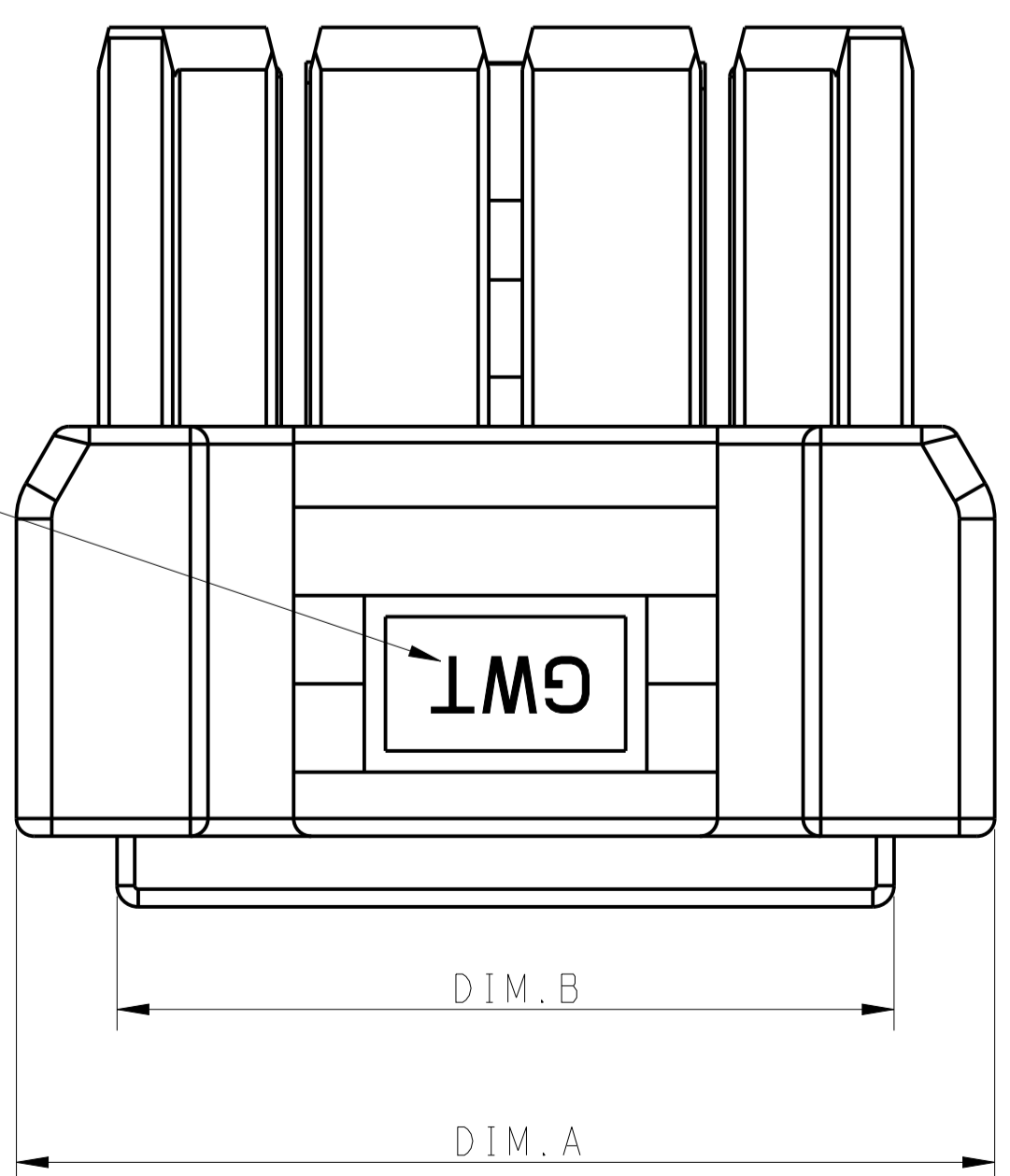
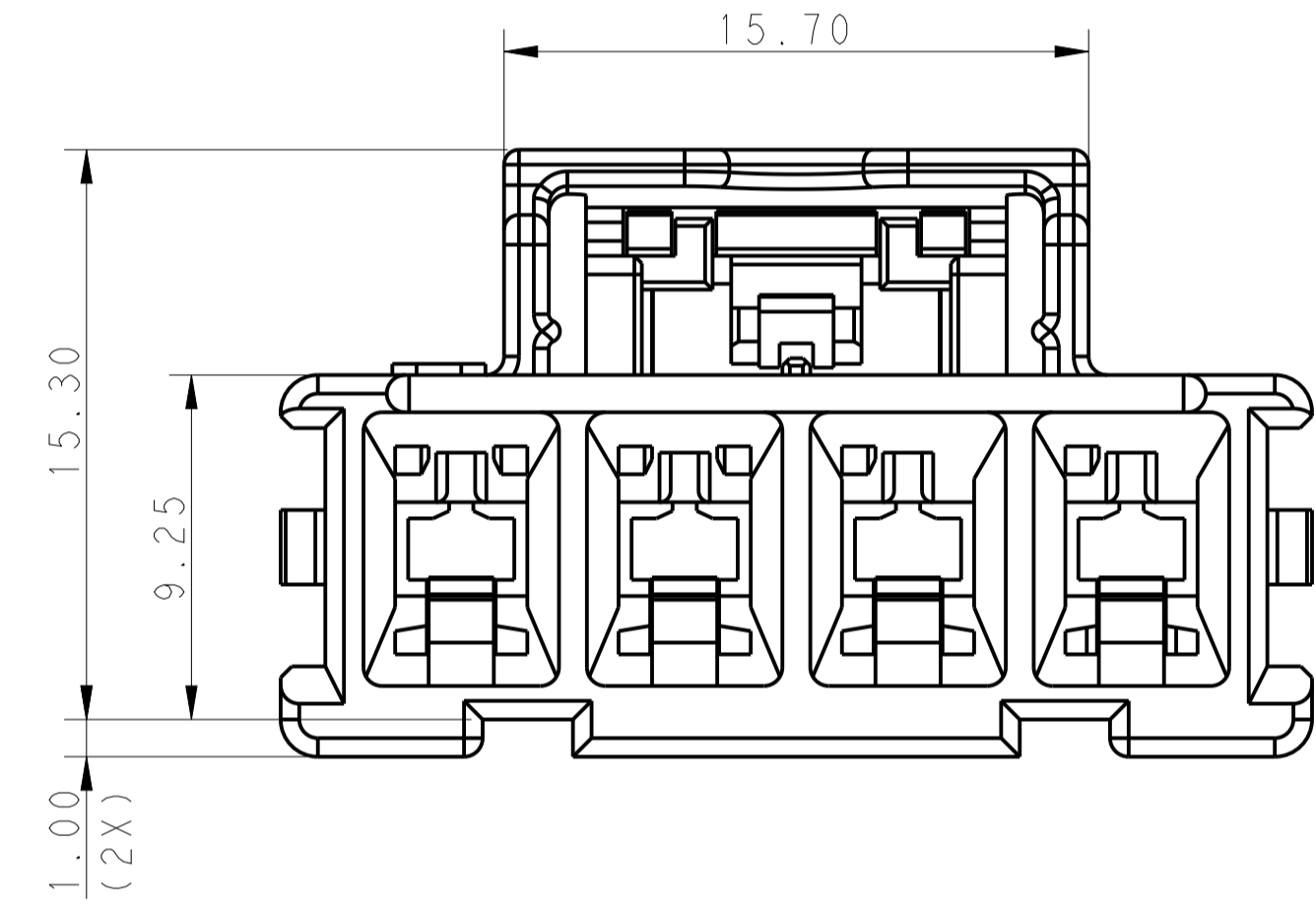
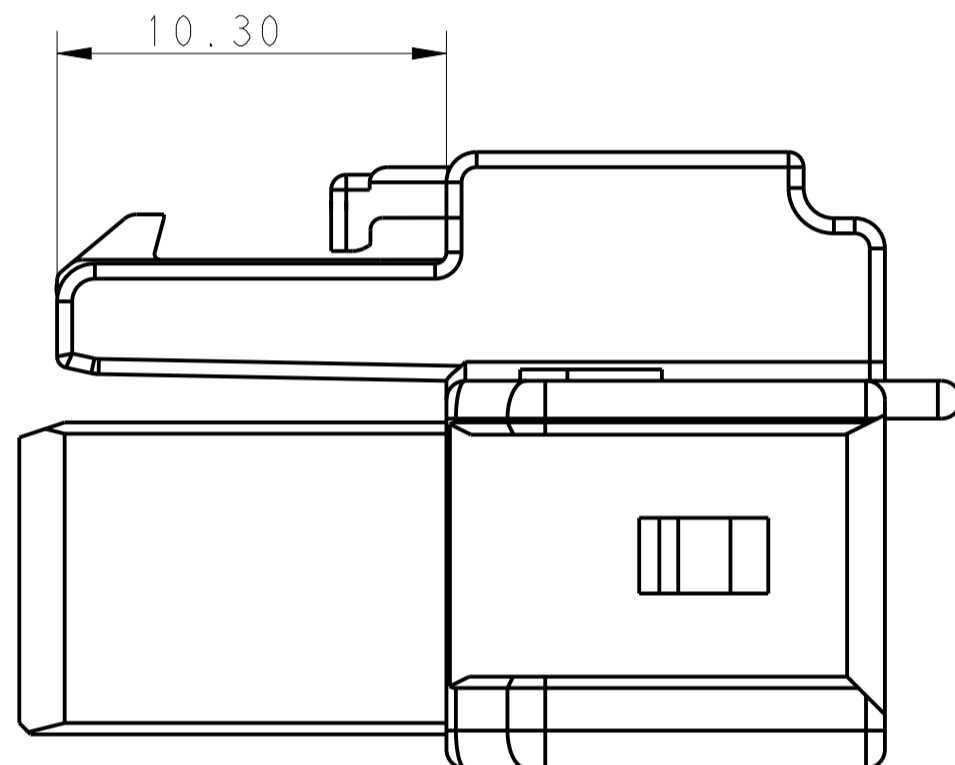
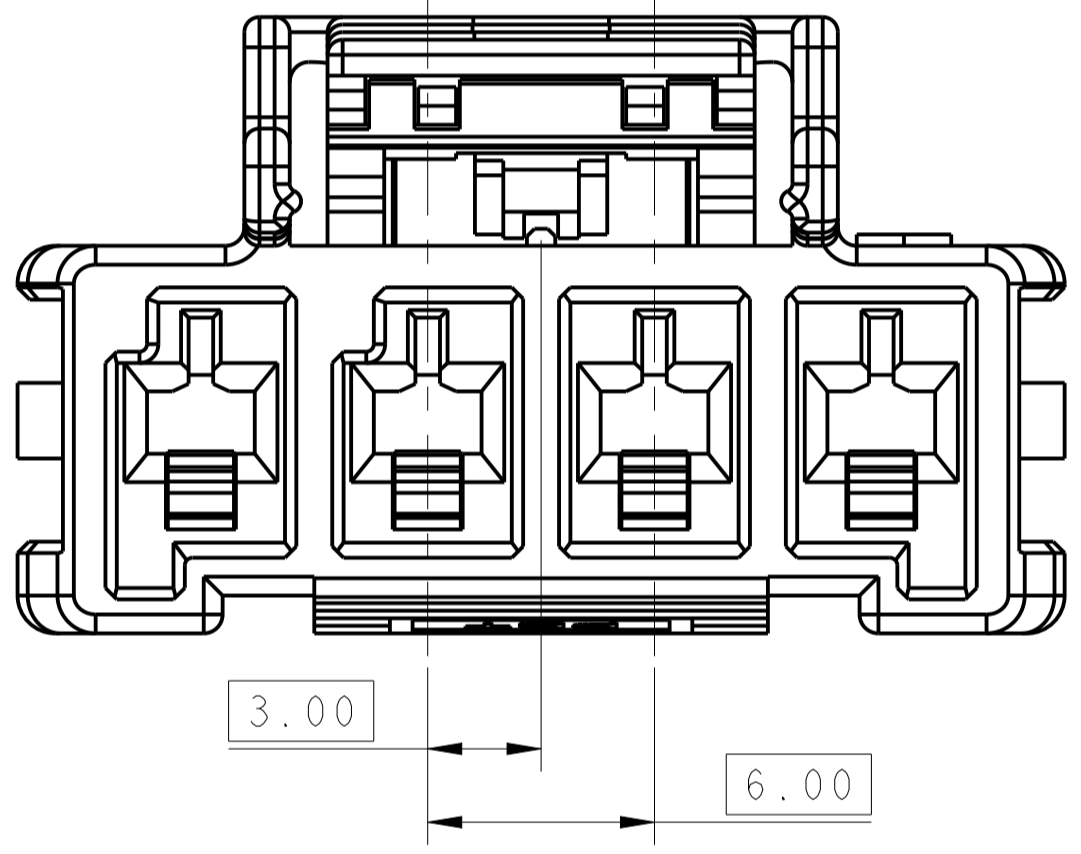


LOC		DIST		REVISIONS			
				REV	DATE	BY	CHK
		D		1	08APR2021	SS	VS
				REVISOR: REVISED PER ECR-21-100678			



POS.	DIM. A	DIM. B
1*5	33.70	28.00
1*4	27.70	22.00
1*3	21.70	16.00
1*2	15.70	10.00



NOTE

1. MATERIAL:

LEVEL A: PA6, COMPLY WITH GLOW WIRE REQUIREMENTS FOR PARTS OF NON-METALLIC MATERIAL SUPPORTING A CURRENT-CARRYING CONNECTION DETAILED IN IEC 60335-1, SECTION 30 (GWT), UL 94V-0

LEVEL B: PBT, HOT WIRE IGNITION (HWI) VERSION ARE MOLDED IN A RESIN THAT COMPLIES WITH TE HOT WIRE IGNITION TEST 109-32026 AND ARE RECOMMENDED FOR USE WITH HWI HOUSINGS THAT ALSO COMPLY, UL 94V-0

2. MATERIAL MARK:

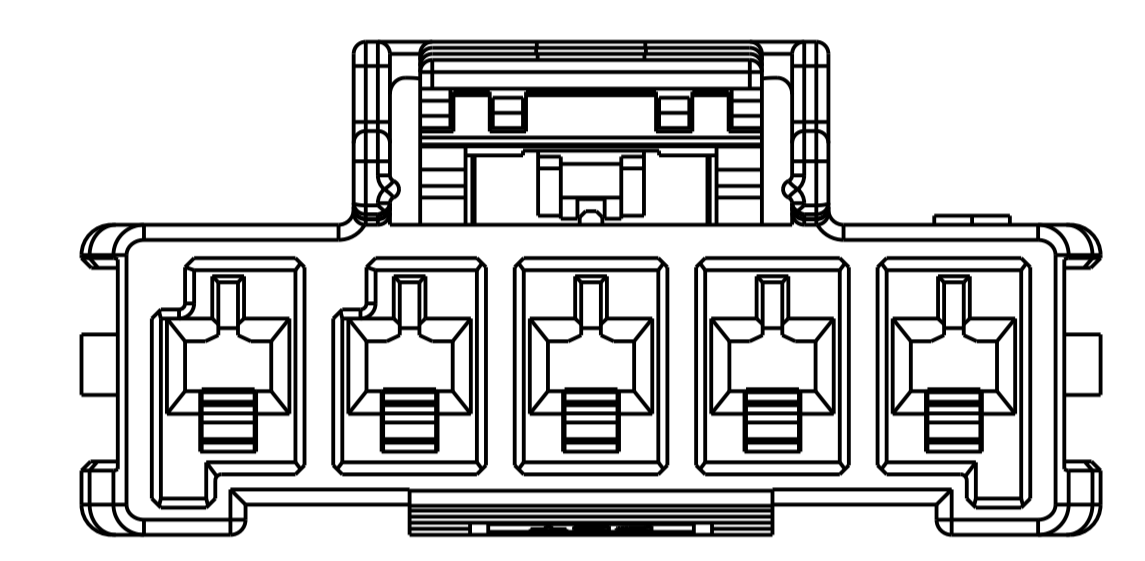
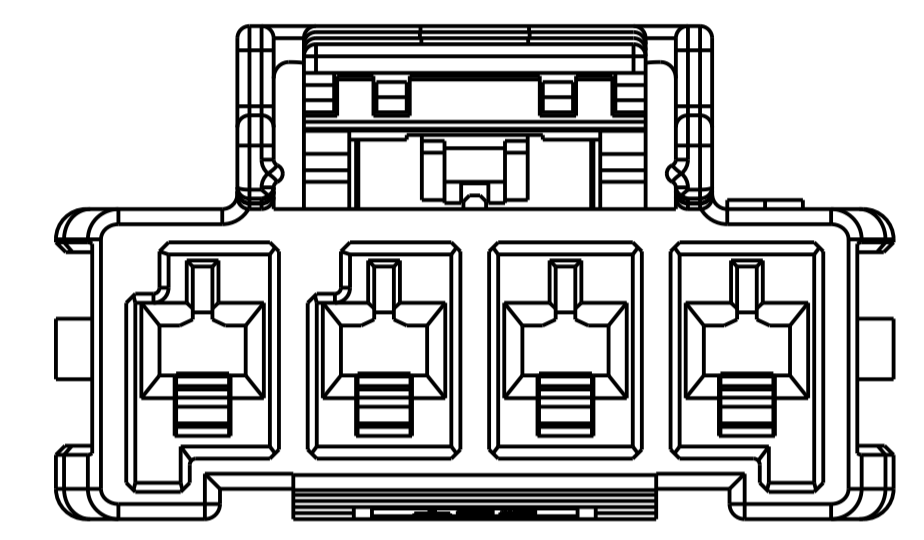
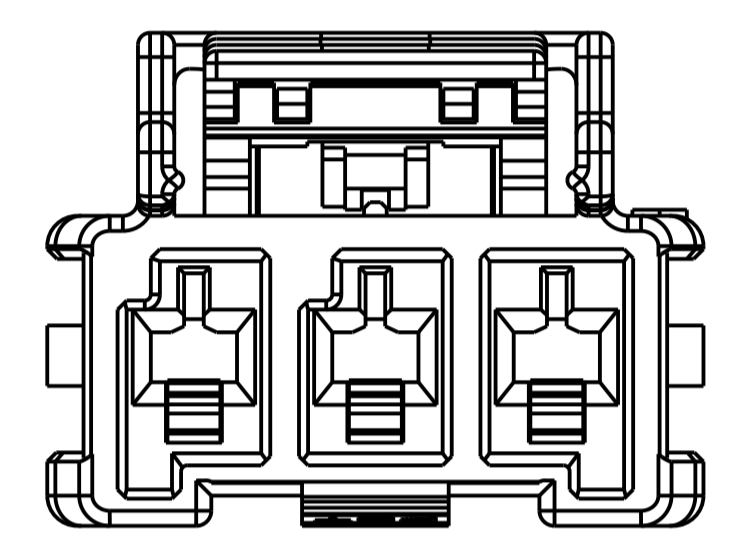
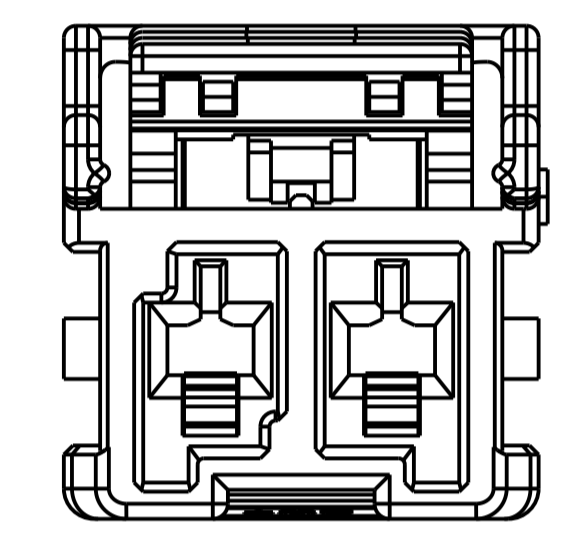
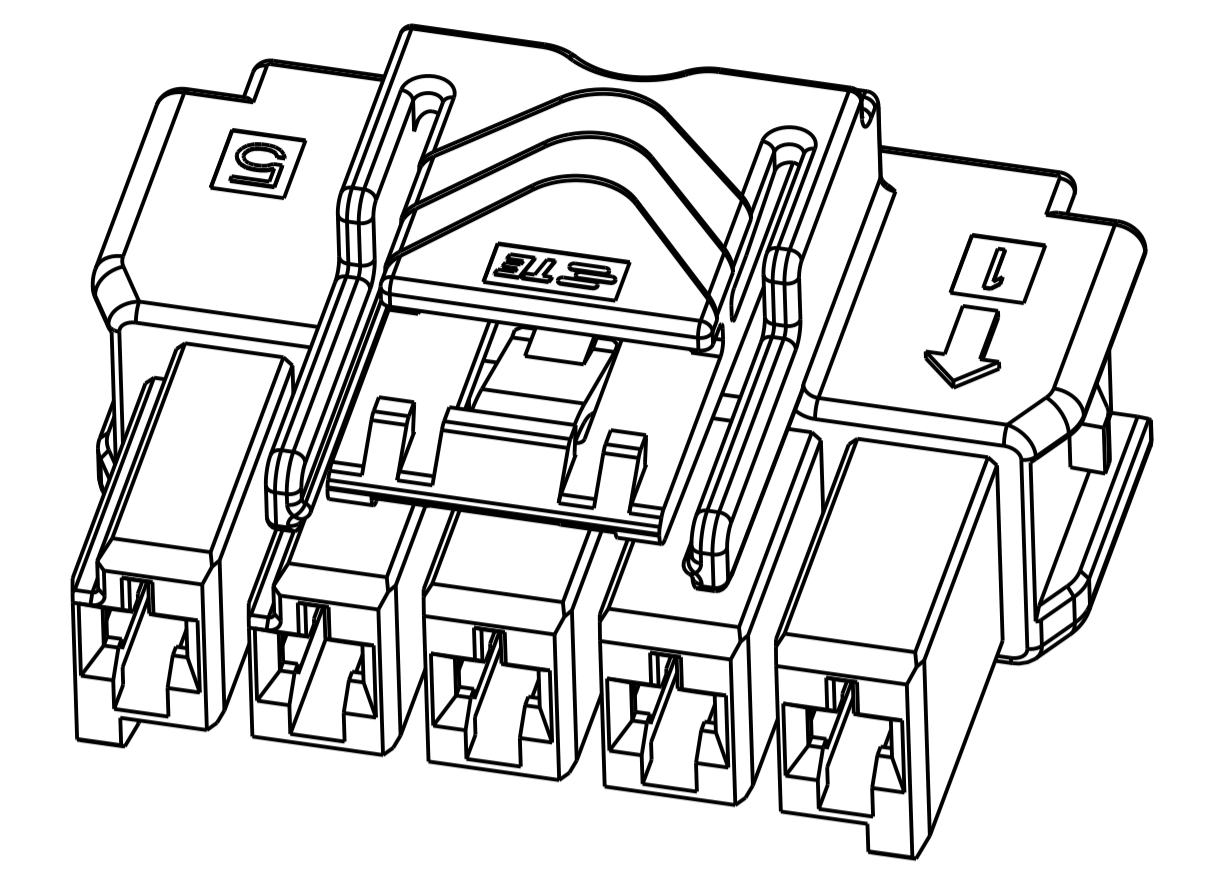
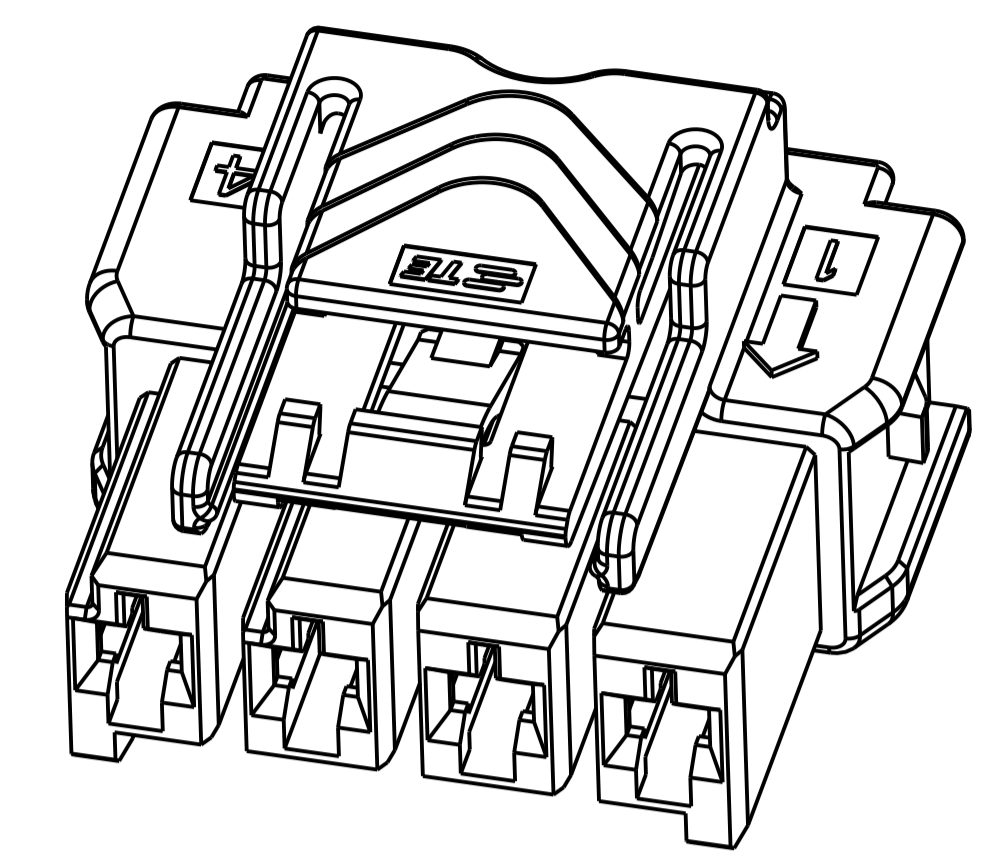
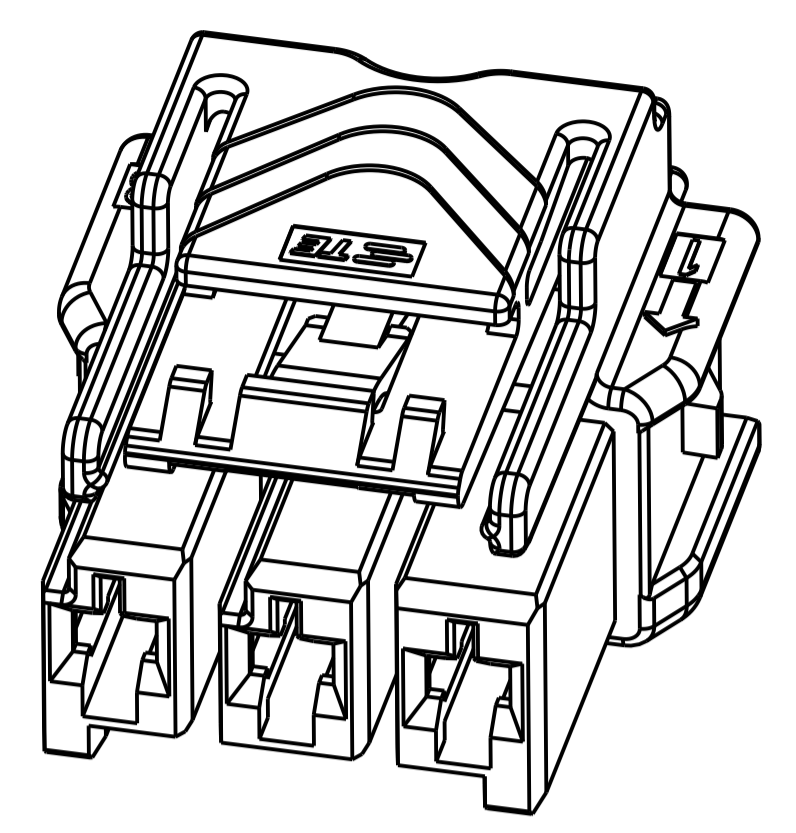
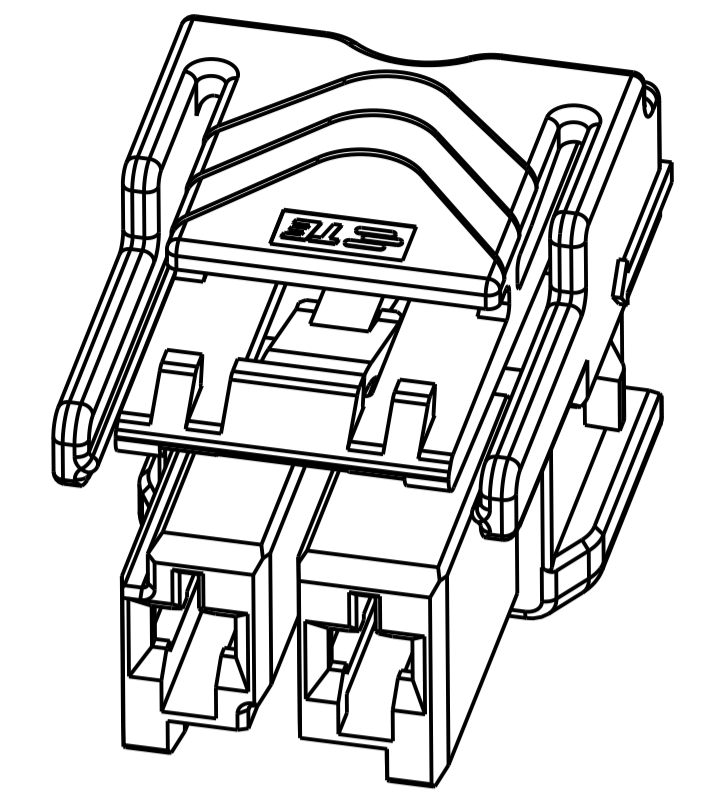
LEVEL A: GWT, LEVEL B: HWT

3. APPLICABLE CONTACT P/N  
REC CONTACT: 1971237/1971779/81/83/85/87-\*

4. MATING CONN. P/N  
CAP HSG: \*-2232358/263-  
TPA: \*-1971777-\*

THIS DRAWING IS A CONTROLLED DOCUMENT.		DWN: TOMMY WU 26MAR2013	
DIMENSIONS: mm		CHK: HAPYE WU 26MAR2013	
TOLERANCES UNLESS OTHERWISE SPECIFIED:		APVD: YUHONG MAO 26MAR2013	NAME: PLUG HOUSING, SINGLE ROW POWER TRIPLE LOCK
0 PLC ±-	1 PLC ±0.35	PRODUCT SPEC: 108-106118	SIZE: A1
2 PLC ±0.25	3 PLC ±-	APPLICATION SPEC: 114-106118	CAGE CODE: 2232265
4 PLC ±-	ANGLES ±-	WEIGHT: -	RESTRICTED TO: -
MATERIAL: SEE TABLE	FINISH: -	Customer Drawing	SCALE: - SHEET 1 OF 2 REV D

LOC		DIST		REVISIONS			
				REV	DATE	BY	APPV
-	-	-	-	-	-	-	-
SEE SHEET 1							

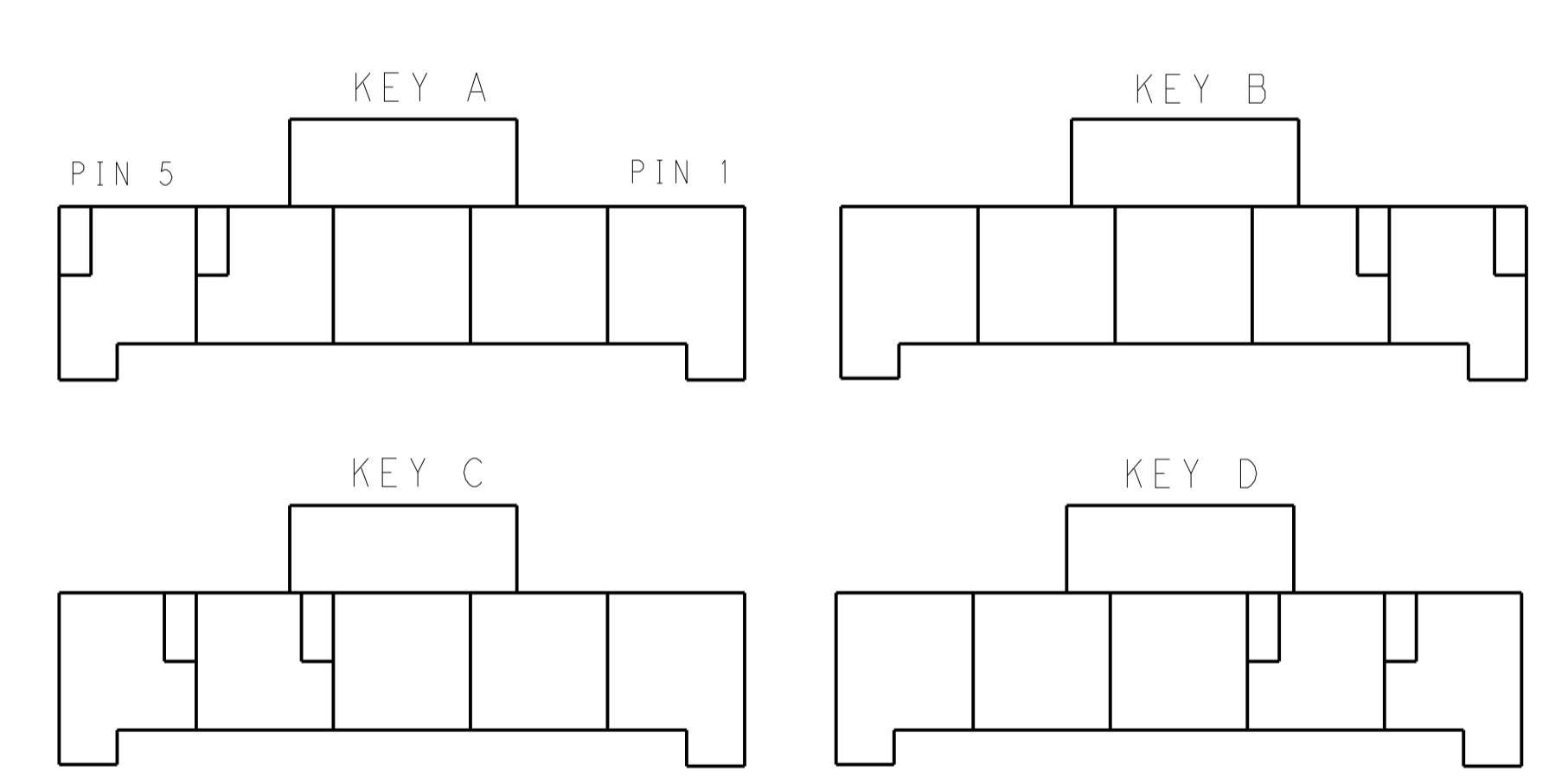
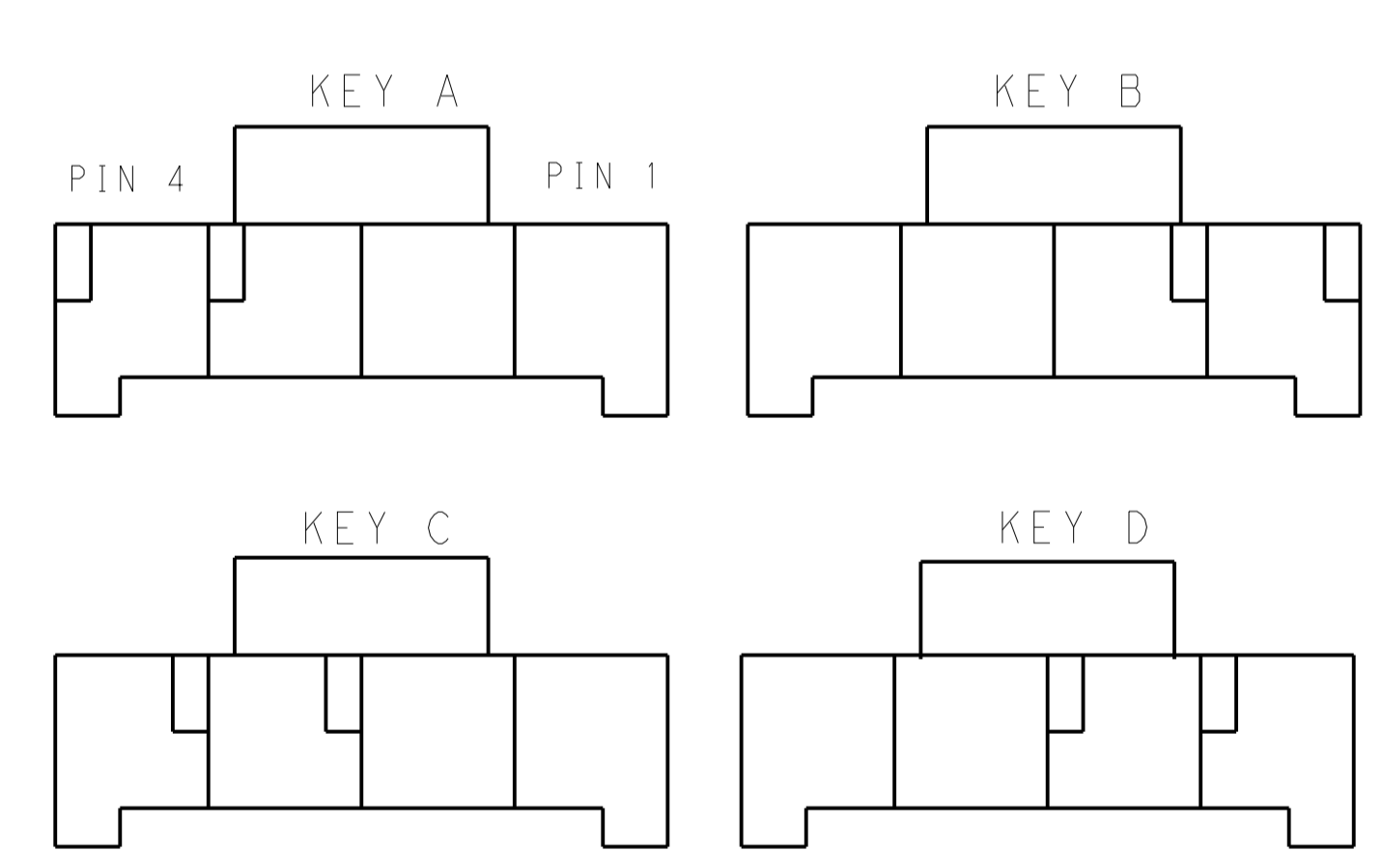
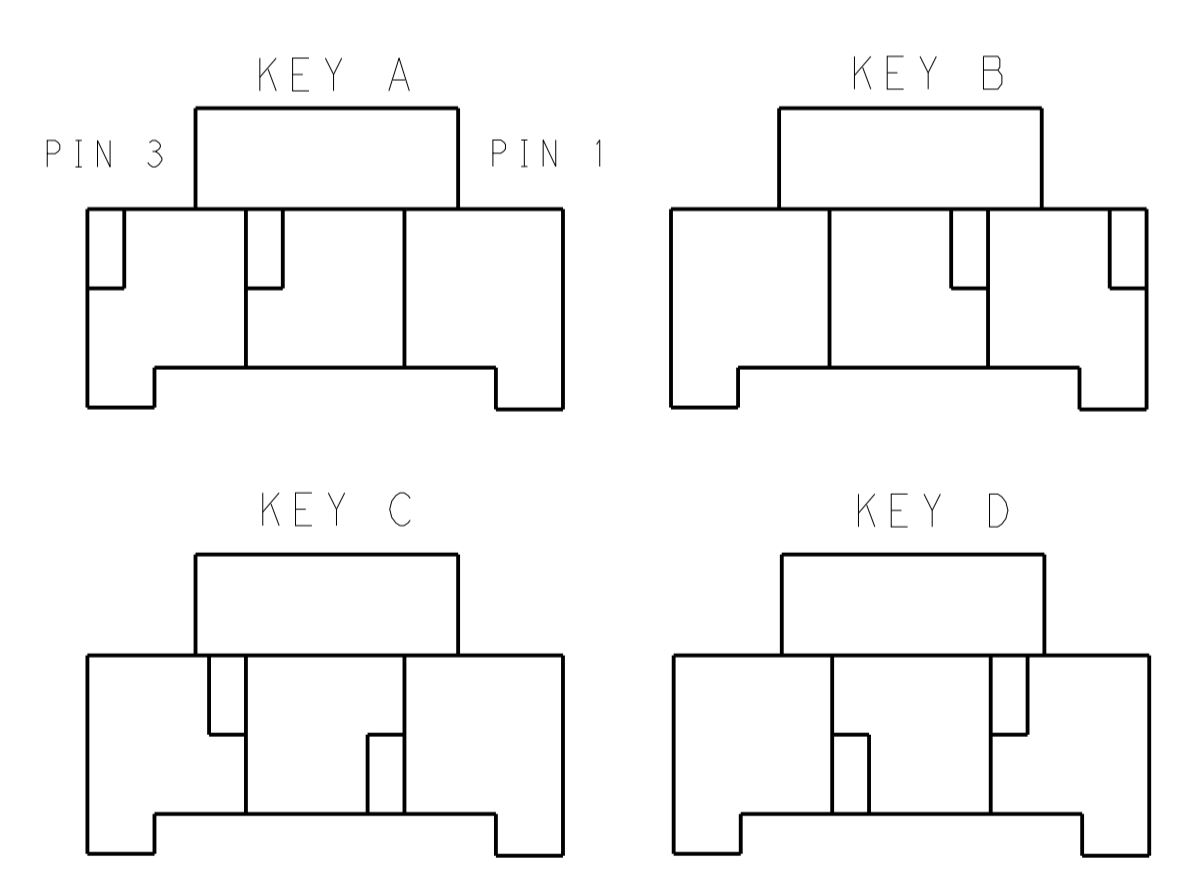
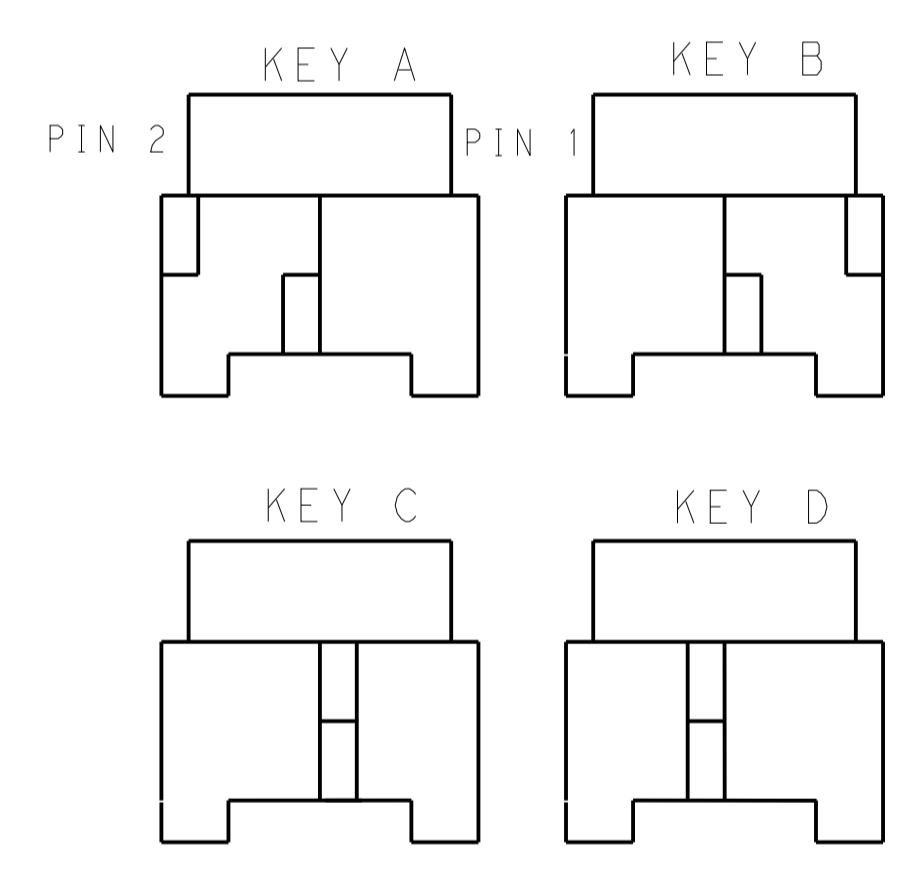


1\*2 POSITIONS

1\*3 POSITIONS

1\*4 POSITIONS

1\*5 POSITIONS



KEYING FOR 1\*2 POS.

KEYING FOR 1\*3 POS.

KEYING FOR 1\*4 POS.

KEYING FOR 1\*5 POS.

POS.	MATERIAL	COLOR	KEY	P/N
1*5	LEVEL A	DARK GREY	KEY A	5-2232265-7
		BROWN	KEY B	6-2232265-7
		GREEN	KEY C	7-2232265-7
		ORANGE	KEY D	8-2232265-7
1*4	LEVEL B	BLACK	KEY A	1-2232265-3
		DARK GREY	KEY A	5-2232265-4
		BROWN	KEY B	6-2232265-4
		GREEN	KEY C	7-2232265-4
1*3	LEVEL A	ORANGE	KEY D	8-2232265-4
		BLACK	KEY A	1-2232265-2
		DARK GREY	KEY A	5-2232265-3
		BROWN	KEY B	6-2232265-3
1*2	LEVEL A	GREEN	KEY C	7-2232265-3
		ORANGE	KEY D	8-2232265-3
		NATURAL	KEY B	2-2232265-1
		BLACK	KEY A	1-2232265-1

THIS DRAWING IS A CONTROLLED DOCUMENT.

DIMENSIONS:	TOLERANCES UNLESS OTHERWISE SPECIFIED:	OWN: TOMMY WU 26MAR2013	TE Connectivity PLUG HOUSING, SINGLE ROW POWER TRIPLE LOCK
mm	0 PLC ±0.35	CHK: HAPYE WU 26MAR2013	
	1 PLC ±0.25	APPV: YUZHONG MAO 26MAR2013	
	2 PLC ±0.15		
MATERIAL: SEE TABLE	FINISH: -	WEIGHT: -	RESTRICTED TO
		Customer Drawing	SCALE: - SHEET 2 OF 2 REV D

SIZE: A1 CAGE CODE: 108-106118 DRAWING NO: 114-106118  
 NAME: YUZHONG MAO  
 PRODUCT SPEC: 108-106118  
 APPLICATION SPEC: 114-106118  
 A100779 ©=2232265

## X-ON Electronics

Largest Supplier of Electrical and Electronic Components

*Click to view similar products for [Headers & Wire Housings](#) category:*

*Click to view products by [TE Connectivity](#) manufacturer:*

Other Similar products are found below :

[892-18-020-10-001101](#) [58102-G61-06LF](#) [582553-1](#) [0009485154](#) [009176003701906](#) [0050291907](#) [LY20-4P-DT1-P1E-BR](#) [02.125.8002.8](#)  
[609-3404](#) [61062-3](#) [61082-181009](#) [622-3653LF](#) [63453-116](#) [636-1030](#) [636-1427](#) [636-3427](#) [636-4007](#) [641938-9](#) [641991-4](#) [644827-2](#) [65817-010LF](#) [65817-015LF](#) [65863-015LF](#) [66207-023LF](#) [67095-007LF](#) [67601157](#) [68645-018](#) [68648-049](#) [70.362.1628.0](#) [70-4210](#) [70-4226B](#) [70-4853B](#) [707-5020](#) [707-5028](#) [71.350.2428.0](#) [71918-208LF](#) [71961-016LF](#) [733-134](#) [733-162](#) [754199-000](#) [760-3052](#) [787-8014-00](#) [79531-3000](#)  
[FCN-360C032-B](#) [FCN-367T-T012/H](#) [FCN-723D010/2](#) [80.063.4001.1](#) [800-90-001-10-001000](#) [800-90-010-10-002000](#) [801-43-002-10-013000](#)