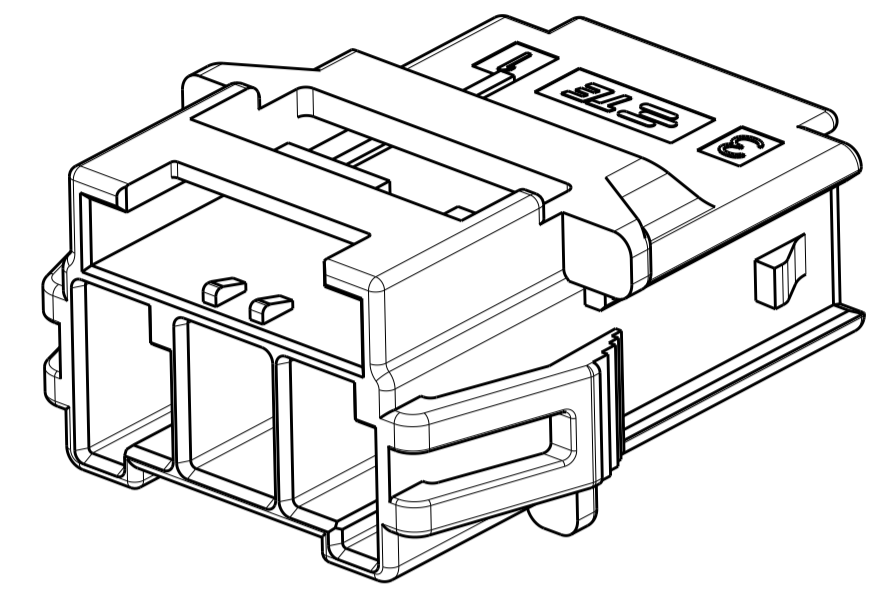
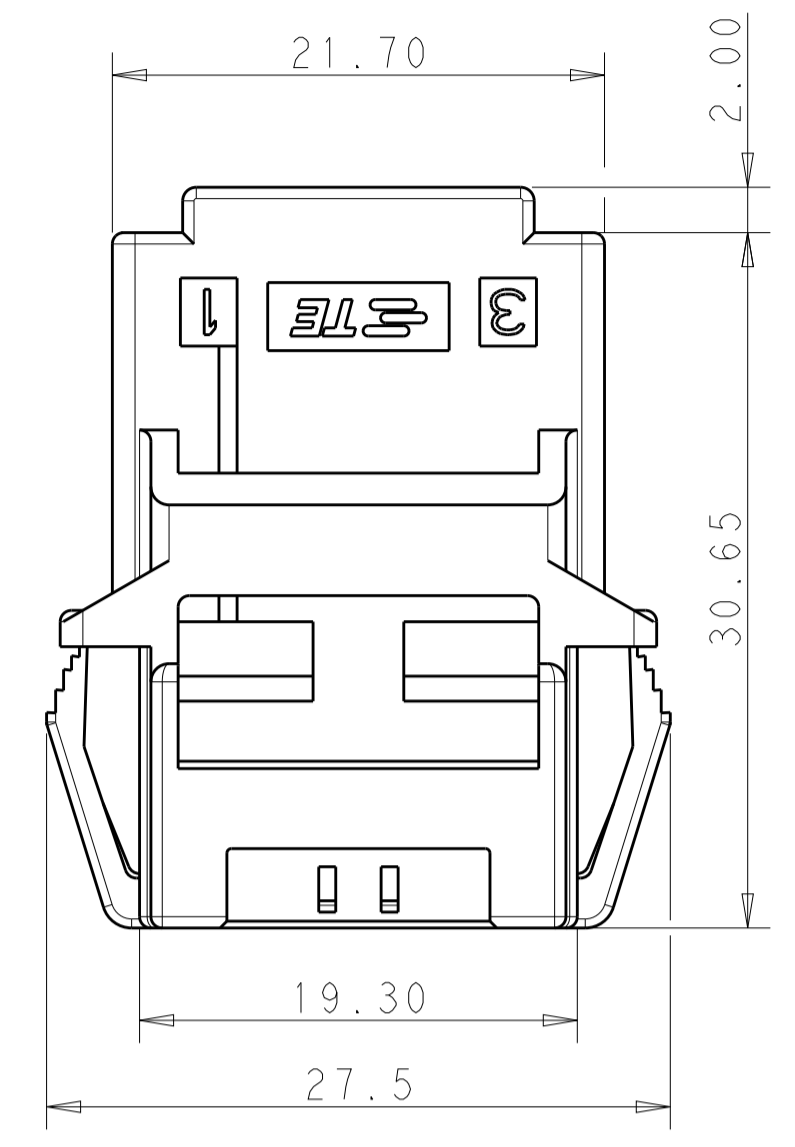
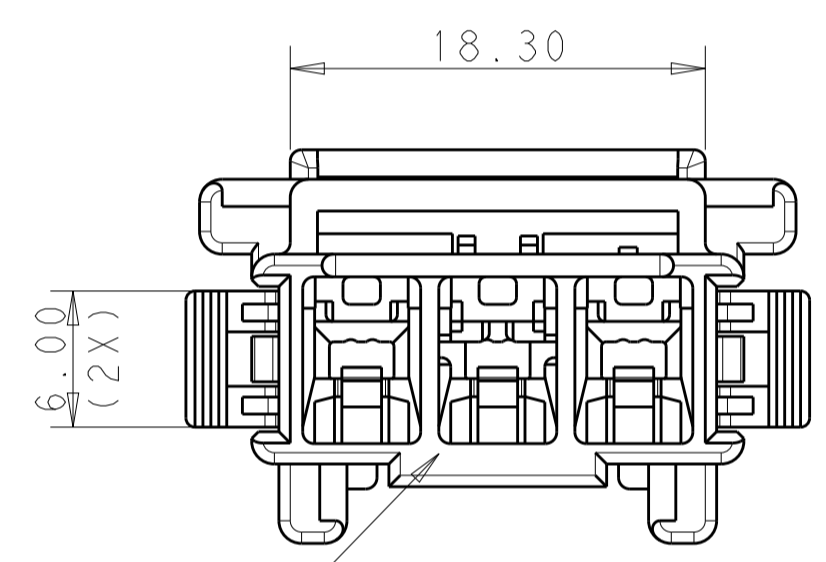
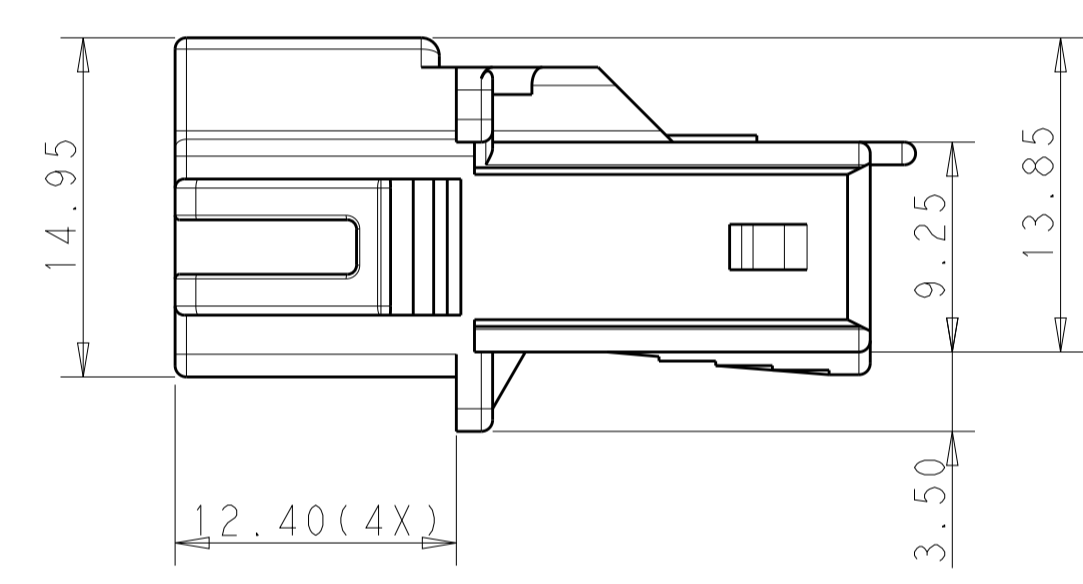
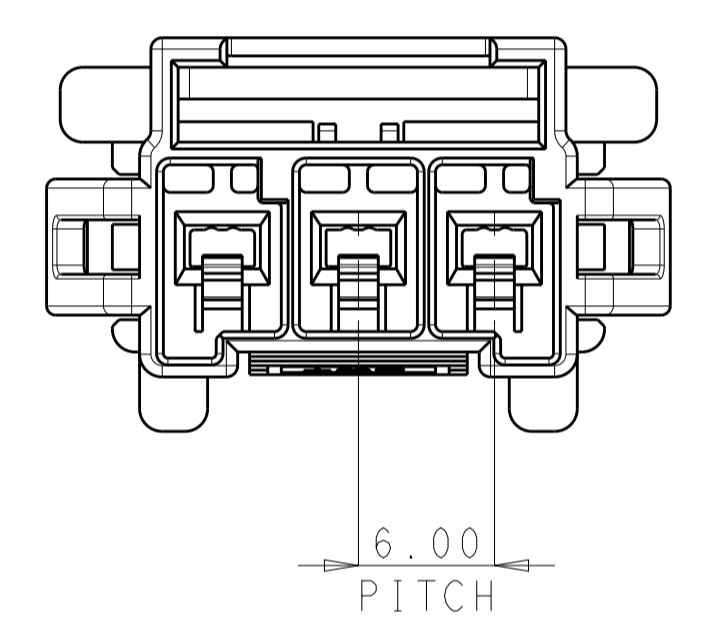


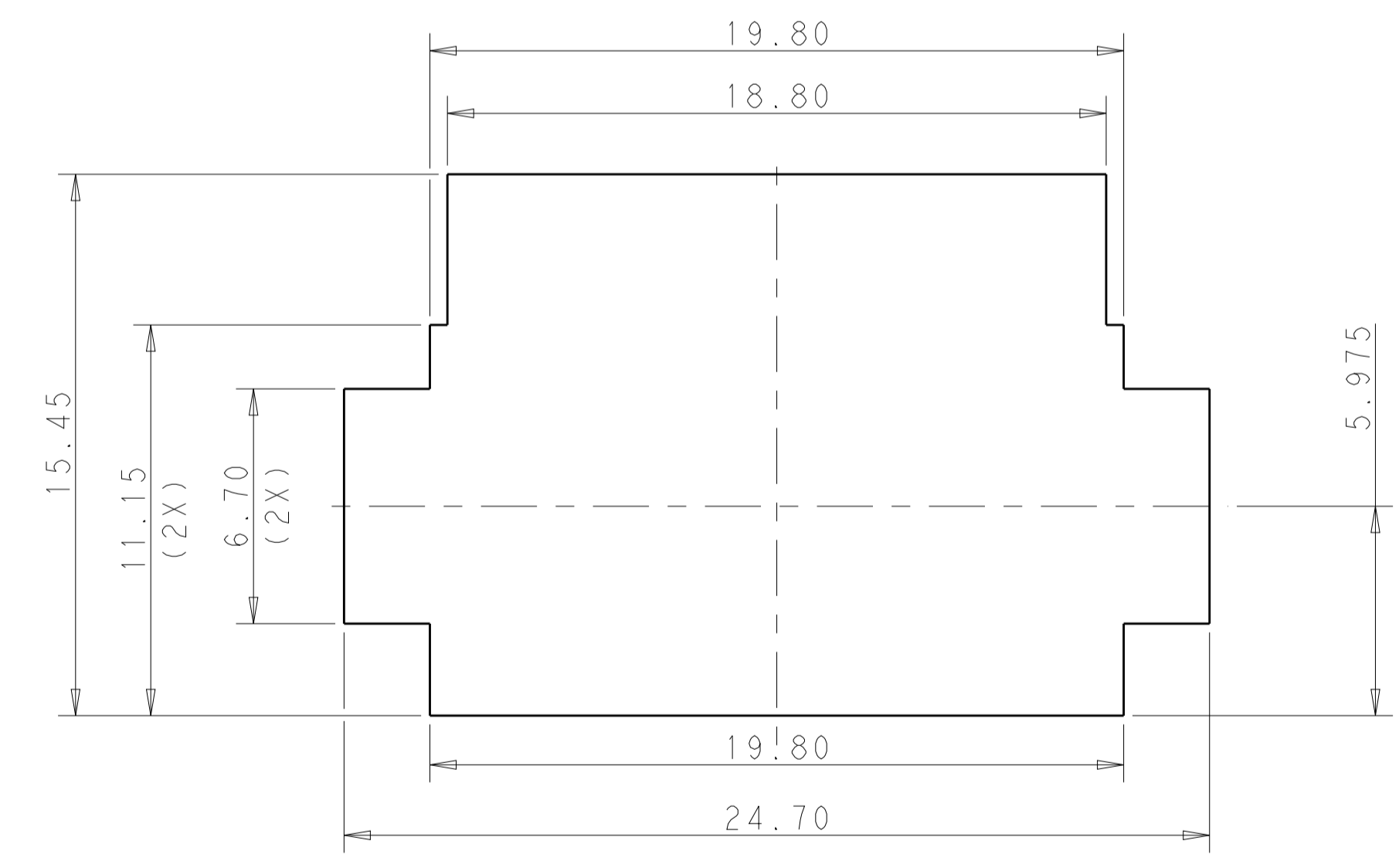
REVISIONS				
P	LTN	DESCRIPTION	DATE	DMN APVD
B1		REVISED PER ECO-16-012046	16AUG2016	RS GJ



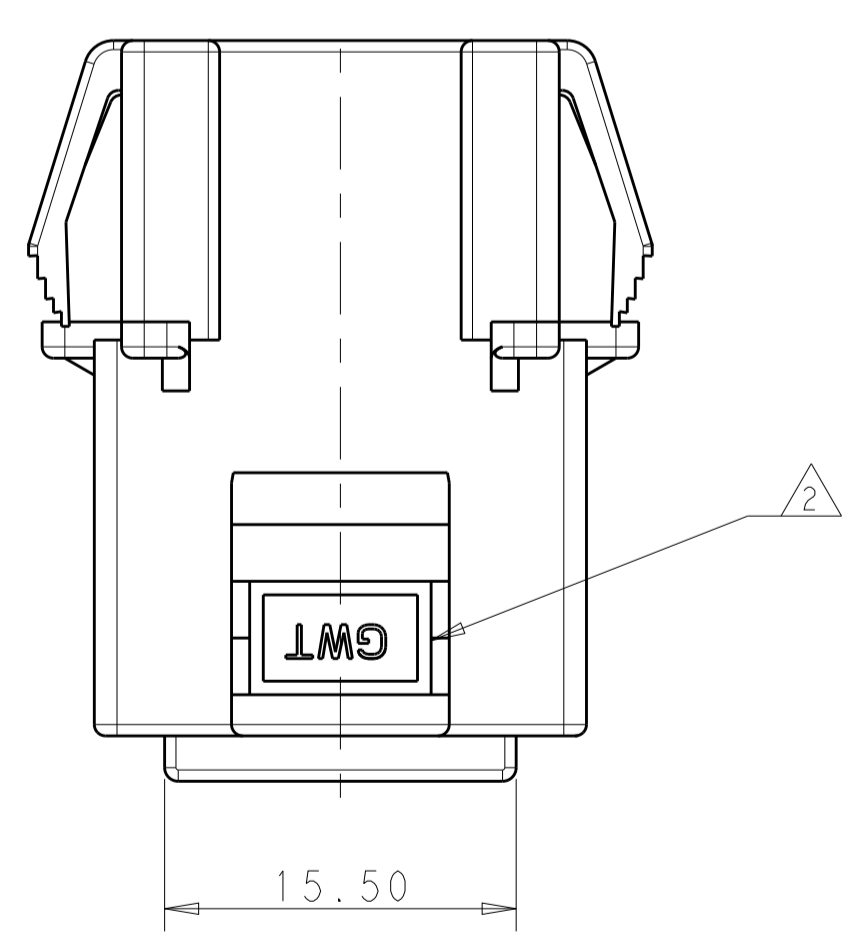
- 1 MATERIAL: NYLON GLASS FILLED, NATURAL, UL94 V-0
- 2 MATERIAL MARK: GWT
- 3 COMPLIES WITH GLOW WIRE REQUIREMENT FOR PARTS OF NON-METALLIC MATERIAL SUPPORTING A CURRENT CARRYING CONNECTION DETAILED IN IEC 60335-1, SECTION 30 (GWT 750°C NF)
- 4 APPLICABLE CONTACT P/N
 GROUND TAB 2232724-* AND 2238094-*
 IN CENTER POSITION.
 TAB 1971784-* AND 1971786-* IN POSITIONS 1 AND 3.
- 5 MATING CONN, P/N
 PLUG HSG: 5-2232362-3
 TPA : 1971777-3



CENTER POSITION IS KEYS TO ACCEPT GROUND TAB CONTACT



RECOMMENDED PANEL OPENING DIMENSIONS FOR CAP HOUSING 1*3 POSITION (TOLERANCE: ±0.15MM) (RECOMMENDED PANEL THICKNESS: 1.0-2.0mm)



1*3 POS.	GWT MATERIAL	NATURAL COLOR	5-2232353-3 P/N
----------	--------------	---------------	-----------------

THIS DRAWING IS A CONTROLLED DOCUMENT.		DMN: 23JUL2013	TE Connectivity	
DIMENSIONS: mm		CHK: HAIYU WU	PTL MFBL (MAKE FIRST BREAK LAST) PM CAP 3 POSITION	
TOLERANCES UNLESS OTHERWISE SPECIFIED:		APVD: YUHONG MAO	NAME	
0 PLC	±	PRODUCT SPEC	SIZE CAGE CODE DRAWING NO	
1 PLC	±0.35	108-106147	RESTRICTED TO	
2 PLC	±0.25	APPLICATION SPEC	A100779C=2232353	
3 PLC	±	114-106147	SCALE 3:1 SHEET 1 OF 1 REV B1	
4 PLC	±	WEIGHT		
ANGLES	±	CUSTOMER DRAWING		
FINISH	-			

X-ON Electronics

Largest Supplier of Electrical and Electronic Components

Click to view similar products for [Heavy Duty Power Connectors](#) category:

Click to view products by [TE Connectivity](#) manufacturer:

Other Similar products are found below :

[647757-1](#) [6643411-1](#) [6646058-2](#) [6646137-1](#) [6646138-1](#) [6646479-1](#) [6646608-1](#) [6646786-1](#) [6646940-1](#) [6651091-1](#) [6651525-1](#) [6651529-1](#)
[6651788-1](#) [696475-1](#) [702-32-01109](#) [703-25-02205](#) [73000005059](#) [73000005642](#) [73080255059](#) [73080965046](#) [765-15-0080A](#) [765-16-0080B](#)
[765-18-0080D](#) [829992-1](#) [902-77-02113](#) [PS00/A0620/6300](#) [PS25/A0420/63](#) [129-1J](#) [1409400](#) [AN0024023](#) [E6374G1](#) [e6389g2](#) [157-43GW8](#)
[MS3117-14AC](#) [1643543-1](#) [1650540-1](#) [1651811-2](#) [1766260-1](#) [1766282-1](#) [1766966-1](#) [1791340000](#) [NLDFT-3-BL-L-S120-M40A](#) [NLDFT-N-](#)
[W-L-C240-M40B](#) [NLS-2-R-C240-M40B](#) [NLS-N-W-C240-M40B](#) [NPS-3-BL-T6](#) [1986615-1](#) [2-1589900-8](#) [2199314-1](#) [KA8102](#)