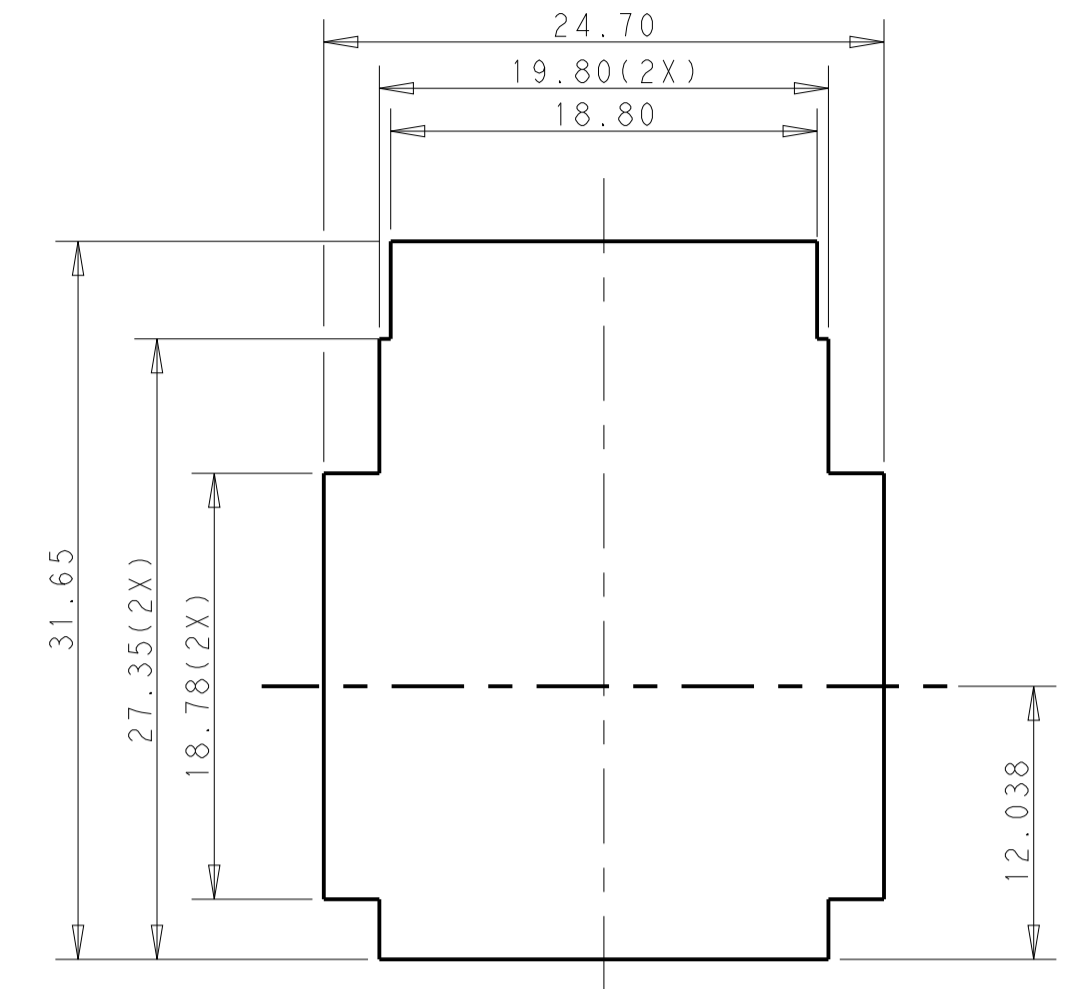
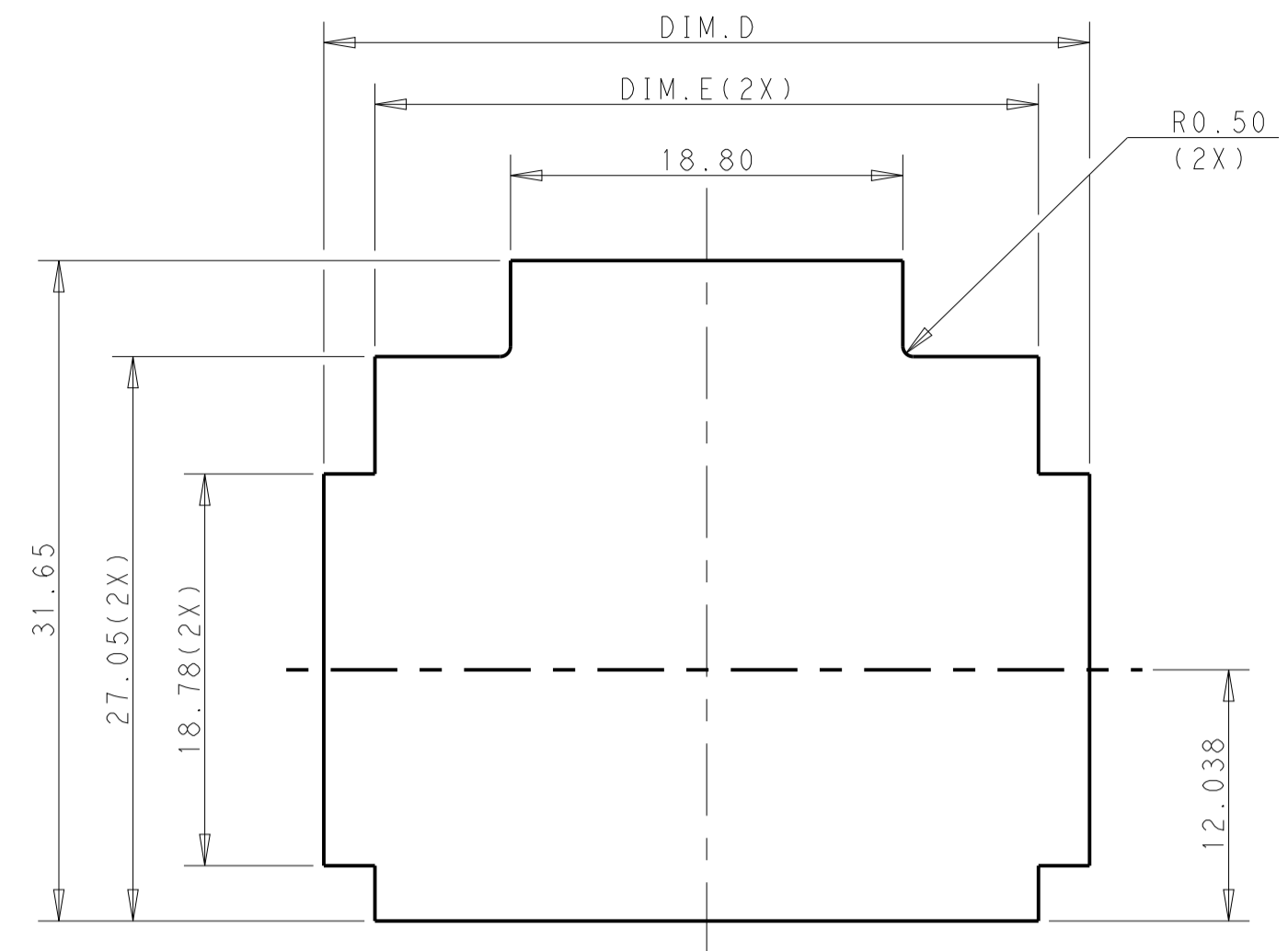
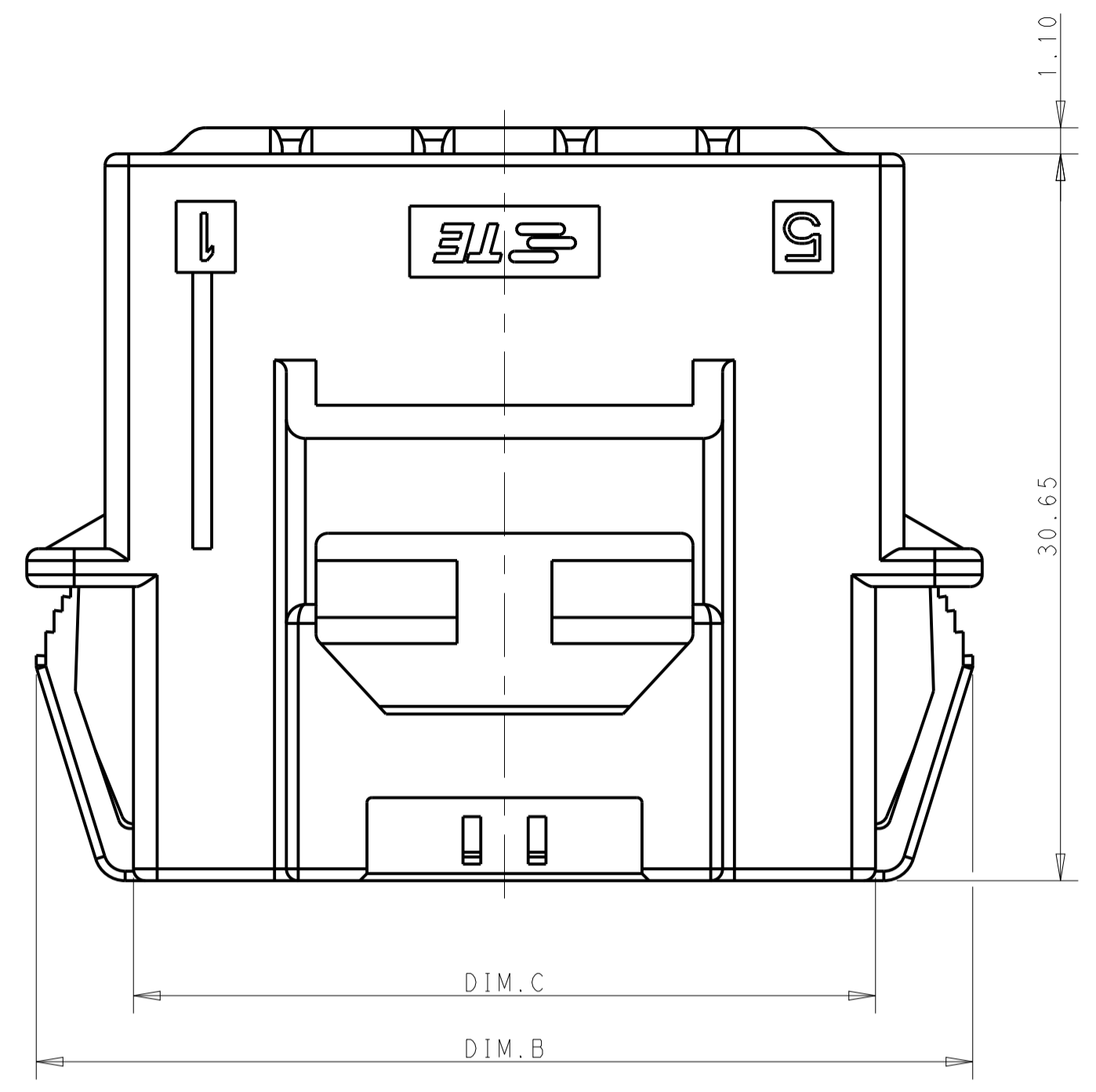
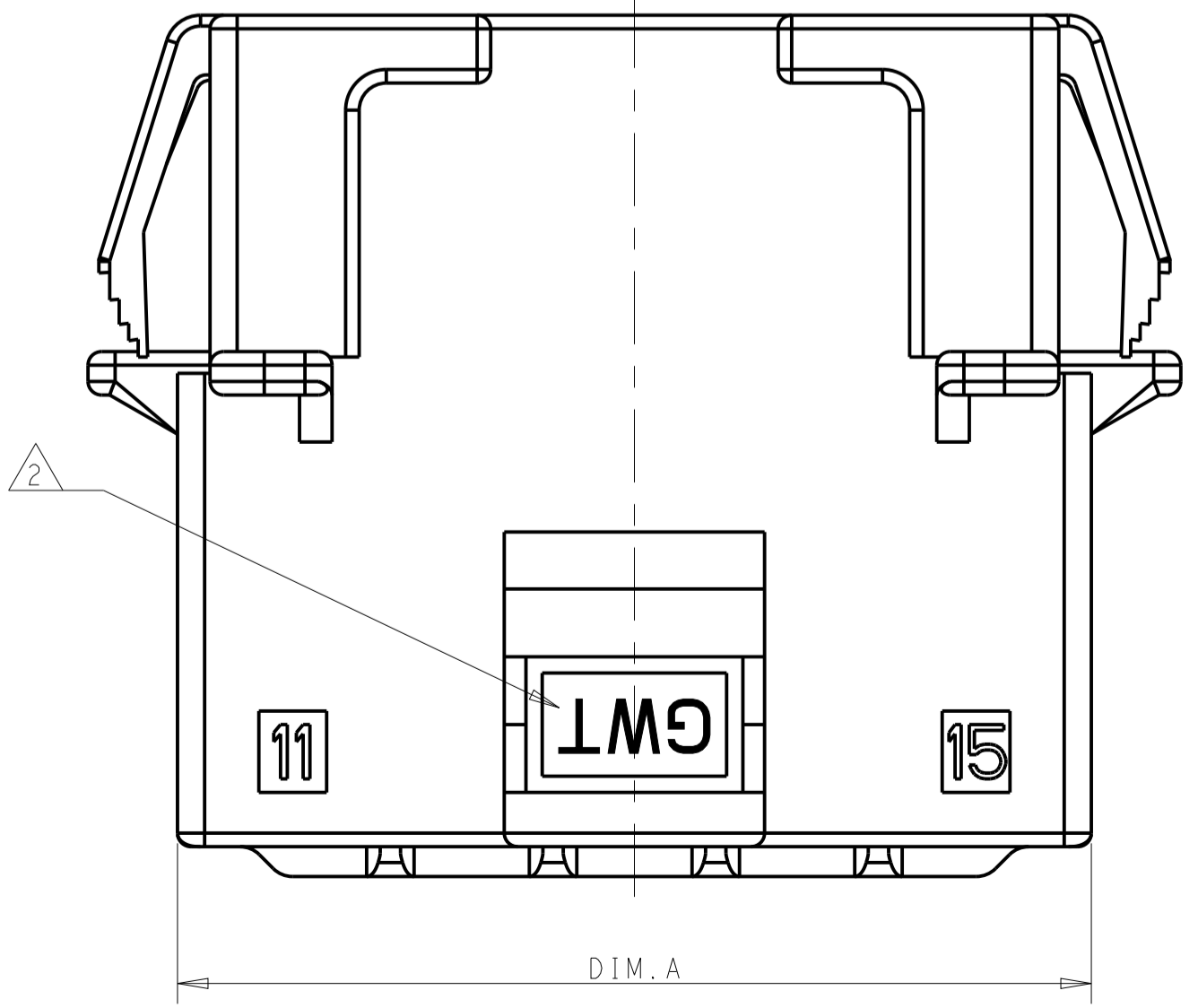
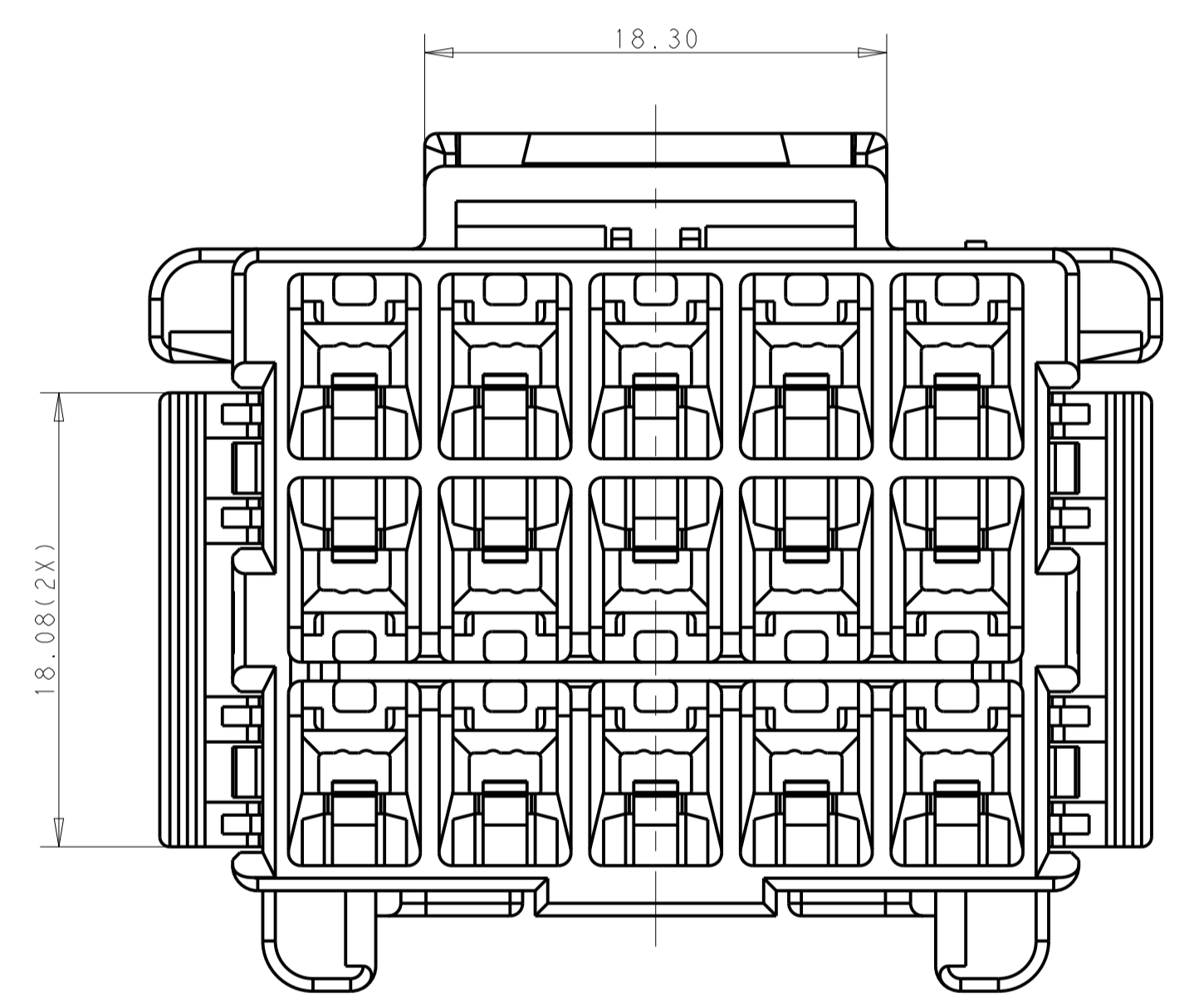
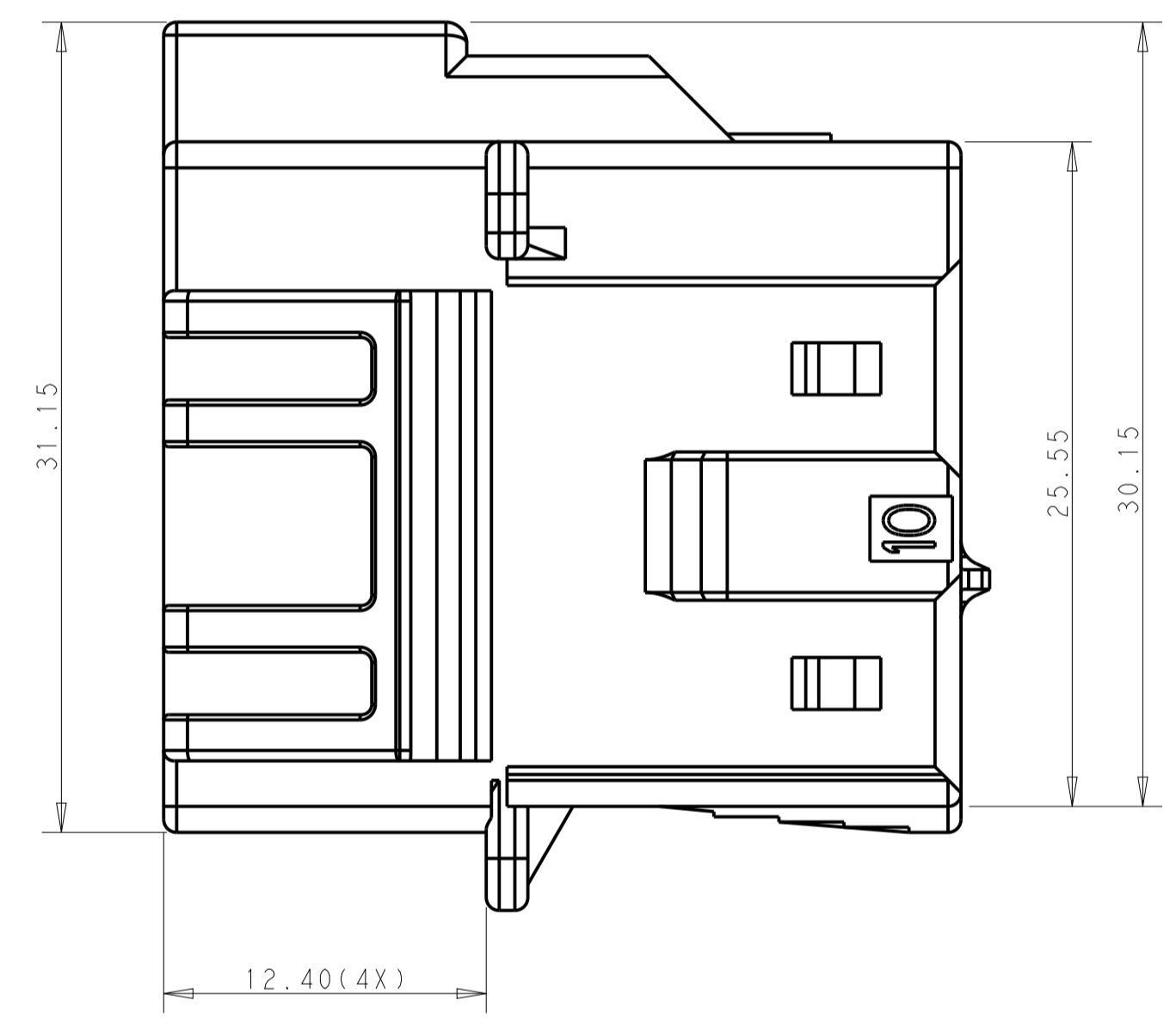
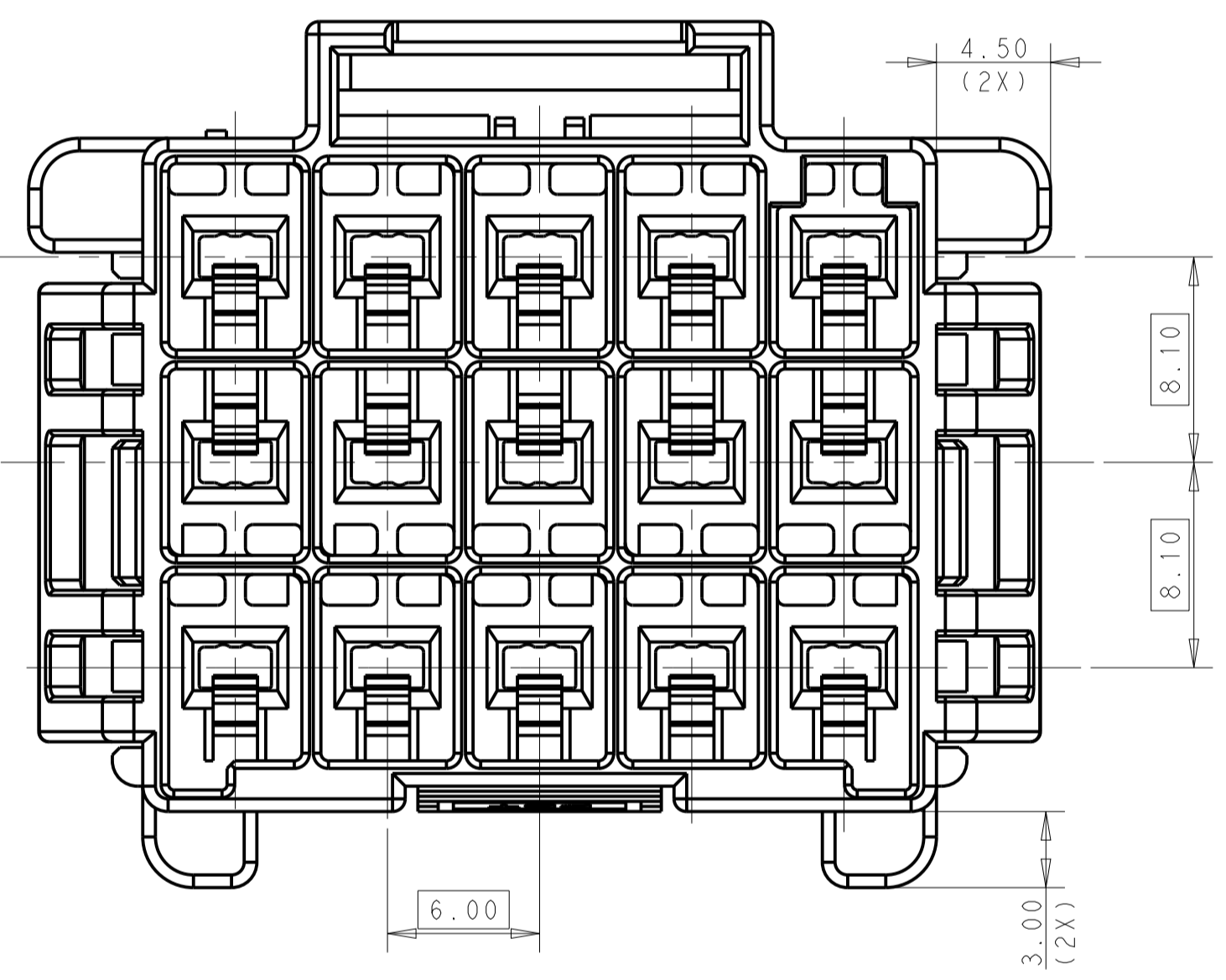


LOC		DIST		REVISIONS			
				REV	DATE	BY	CHK
				C	08APR2021	SS	VS
				REVISOR: REVISED PER ECR-21-100678			



RECOMMENDED PANEL OPENING DIMENSIONS FOR CAP HOUSING 3*5 AND 3*4 POSITIONS (TOLERANCE: ±0.15mm)

RECOMMENDED PANEL OPENING DIMENSIONS FOR CAP HOUSING 3*3 POSITION (TOLERANCE: ±0.15mm)



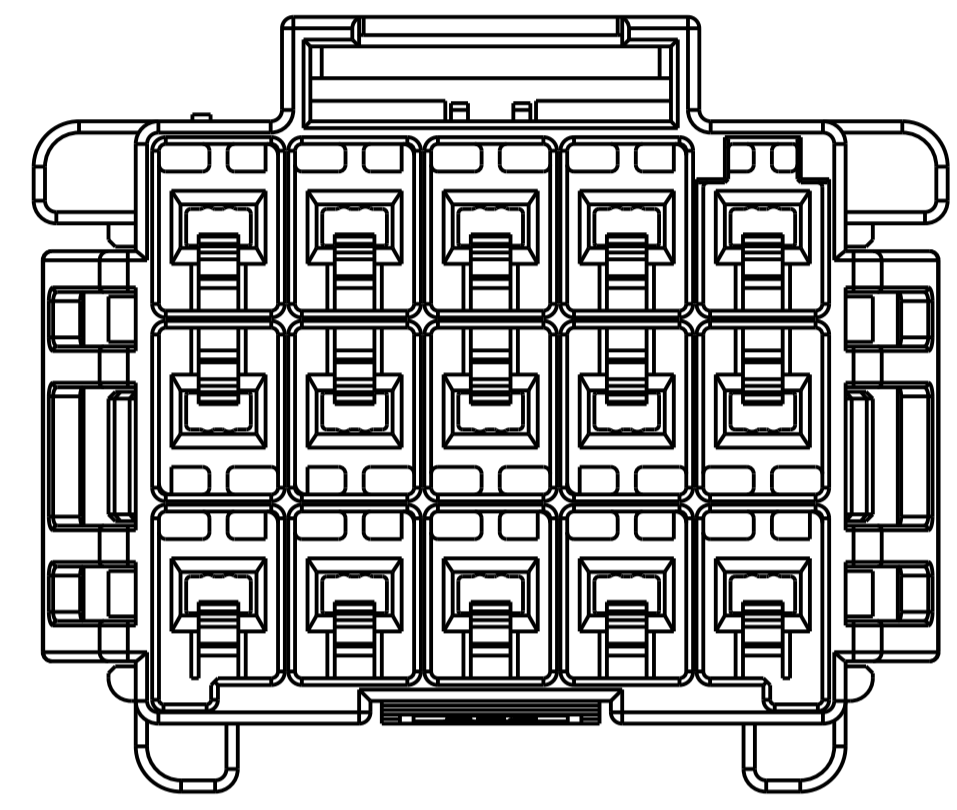
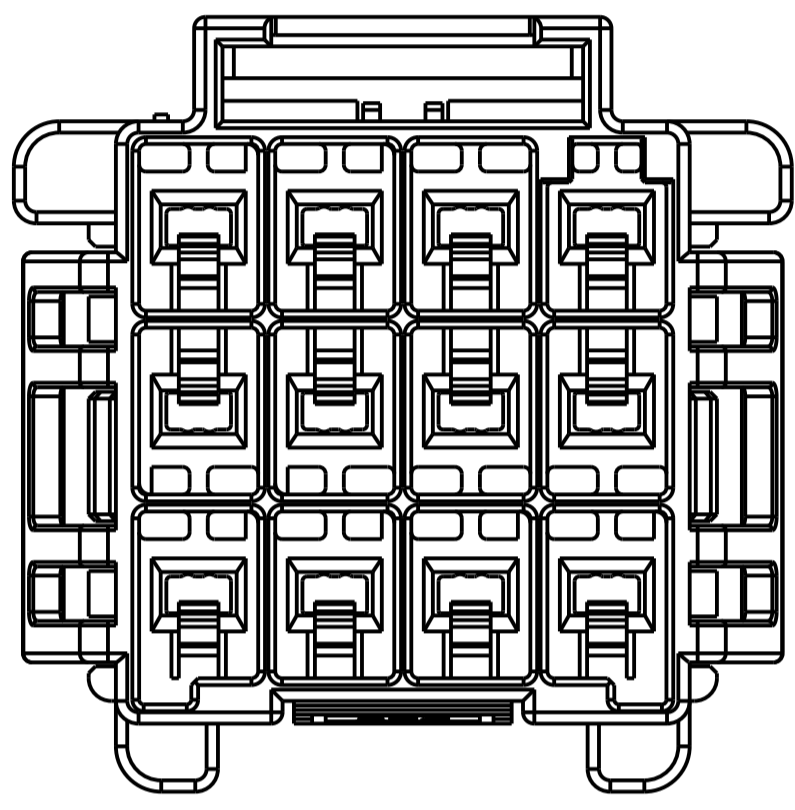
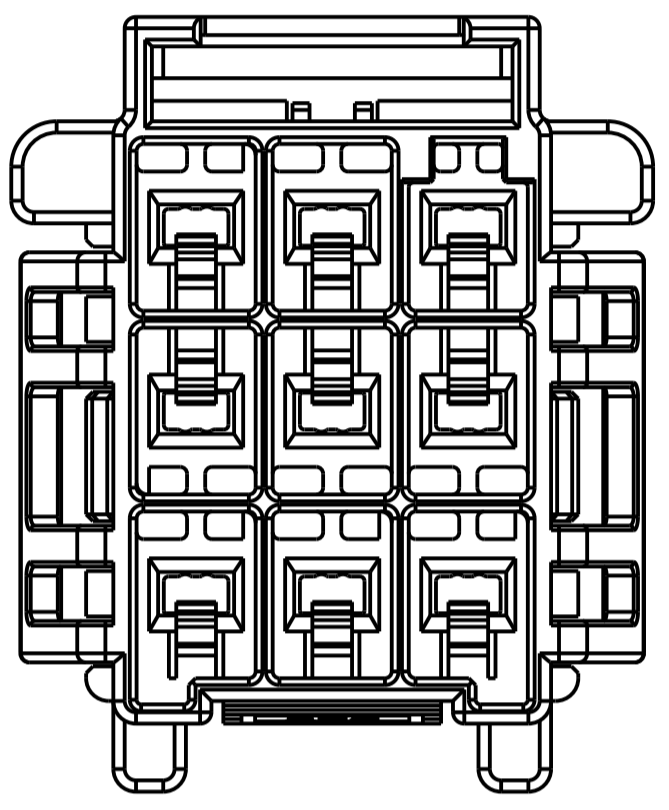
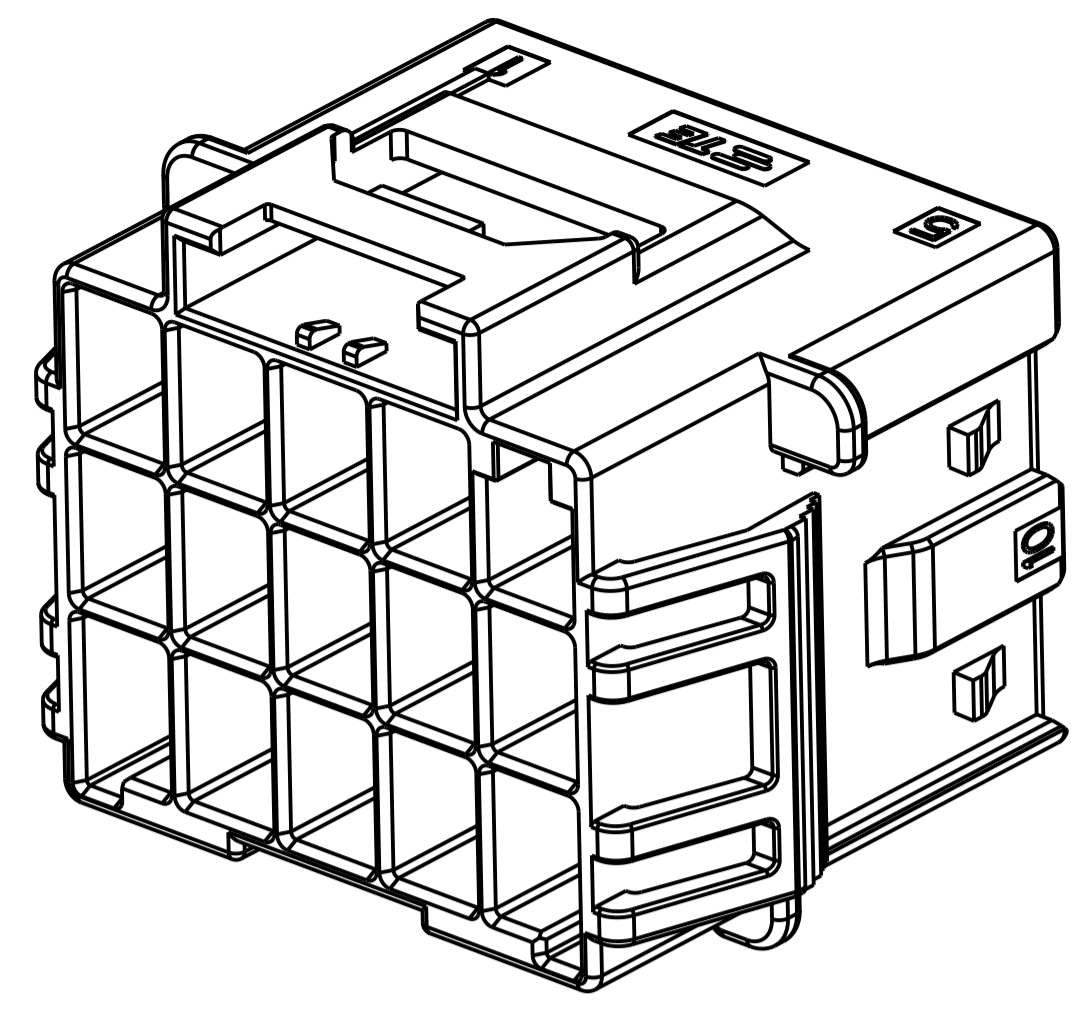
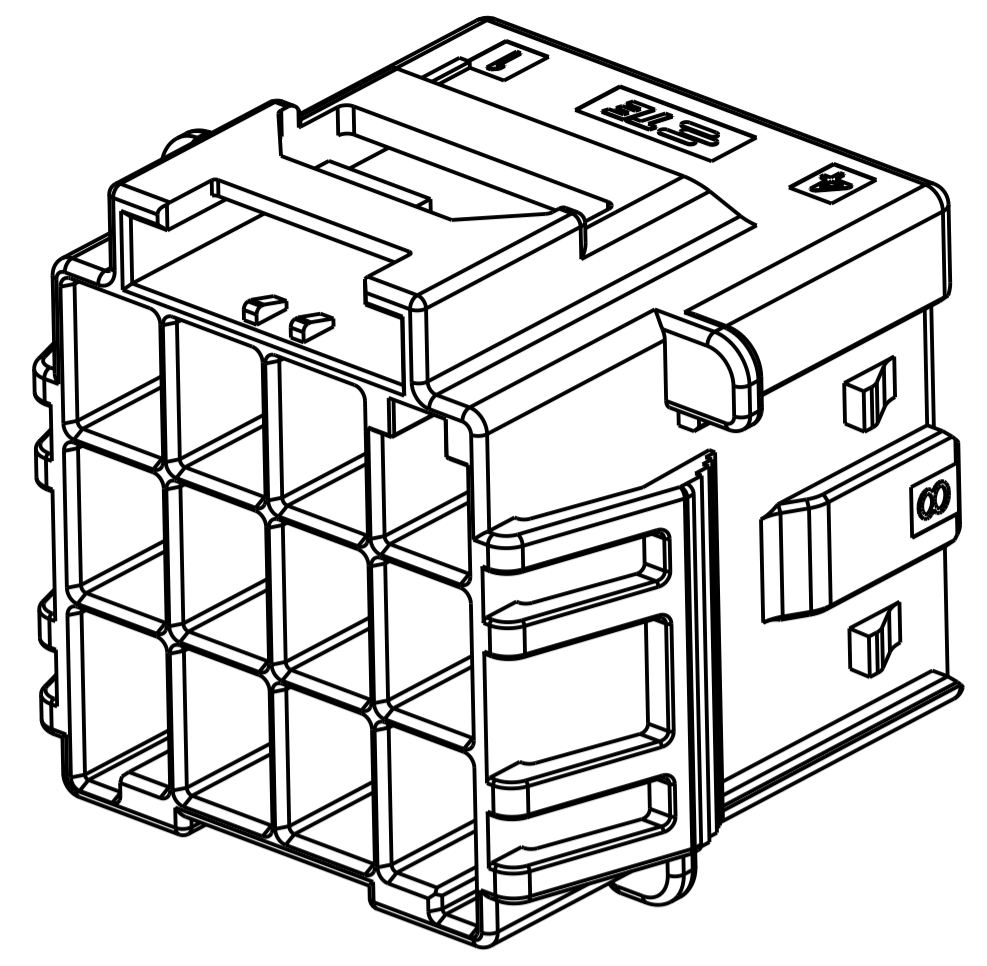
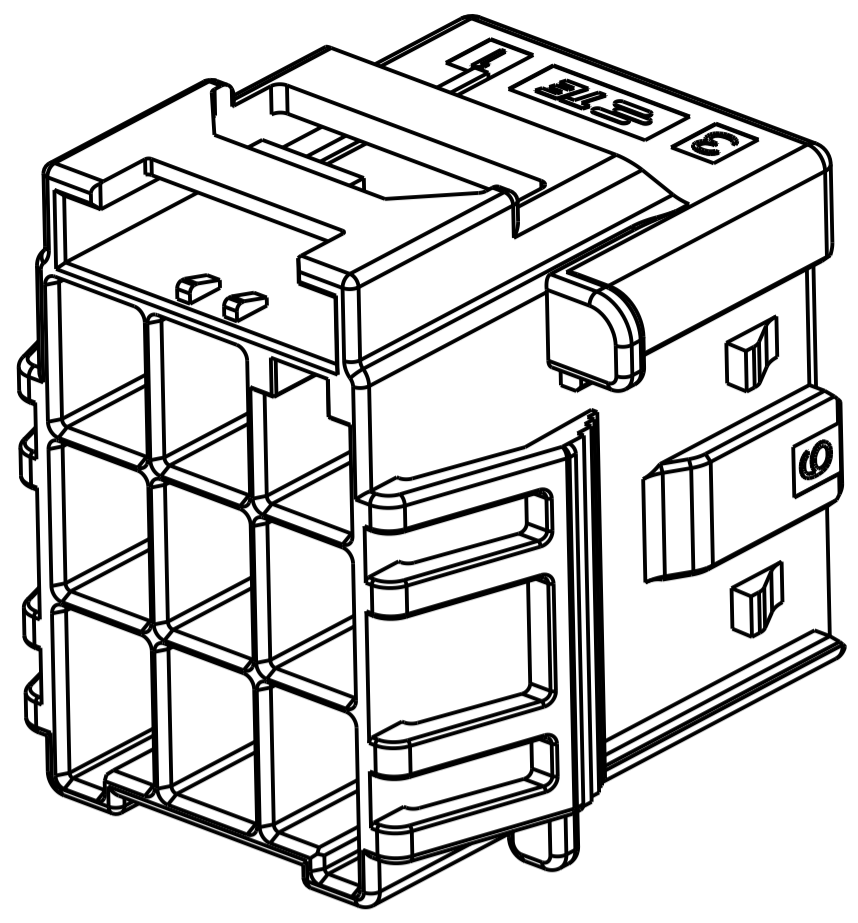
- NOTE
- MATERIAL:
 LEVEL A: PA6 GLASS FILLED, COMPLY WITH GLOW WIRE REQUIREMENTS FOR PARTS OF NON-METALLIC MATERIAL SUPPORTING A CURRENT-CARRYING CONNECTION DETAILED IN IEC 60335-1, SECTION 30 (GWT), UL 94V-0
 LEVEL B: PBT GLASS FILLED, HOT WIRE IGNITION (HWI) VERSION ARE MOLDED IN A RESIN THAT COMPLIES WITH TE HOT WIRE IGNITION TEST 109-32026 AND ARE RECOMMENDED FOR USE WITH HWI HOUSINGS THAT ALSO COMPLY, UL 94V-0
 - MATERIAL MARK:
 LEVEL A:GWT,LEVEL B:HWT
 - APPLICABLE CONTACT P/N
 TAB CONTACT:1971238/1971780/82/84/86/88-*
 - MATING CONN. P/N
 PLUG HSG: *-2232357-
 TPA DOUBLE ROW: *-1971778-; TPA SINGLE ROW: *-1971777-*
 - RECOMMENDED PANEL THICKNESS:1.0~2.0mm

POS	A	B	C	D	E
3*5	33.70	39.5	31.30	36.70	31.80
3*4	27.70	33.5	25.30	30.70	25.80
3*3	21.70	27.5	19.30		

THIS DRAWING IS A CONTROLLED DOCUMENT.

DIMENSIONS:	TOLERANCES UNLESS OTHERWISE SPECIFIED:	DWG: TOMMY WU 26MAR2013	TE Connectivity NAME: CAP HOUSING, PANEL MOUNT, TRIPLE ROW POWER TRIPLE LOCK
mm	0 PLC ±	CHK: HAPYE WU 26MAR2013	
	1 PLC ±0.35	APVD: YUZHONG MAO 26MAR2013	
	2 PLC ±0.25	PRODUCT SPEC	
	3 PLC ±	APPLICATION SPEC	SIZE: CAGE CODE: DRAWING NO:
	4 PLC ±	114-106118	A100779C=2232356
	ANGLES ±	WEIGHT	RESTRICTED TO
MATERIAL:	FINISH:	Customer Drawing	SCALE: SHEET 1 OF 2 REV C

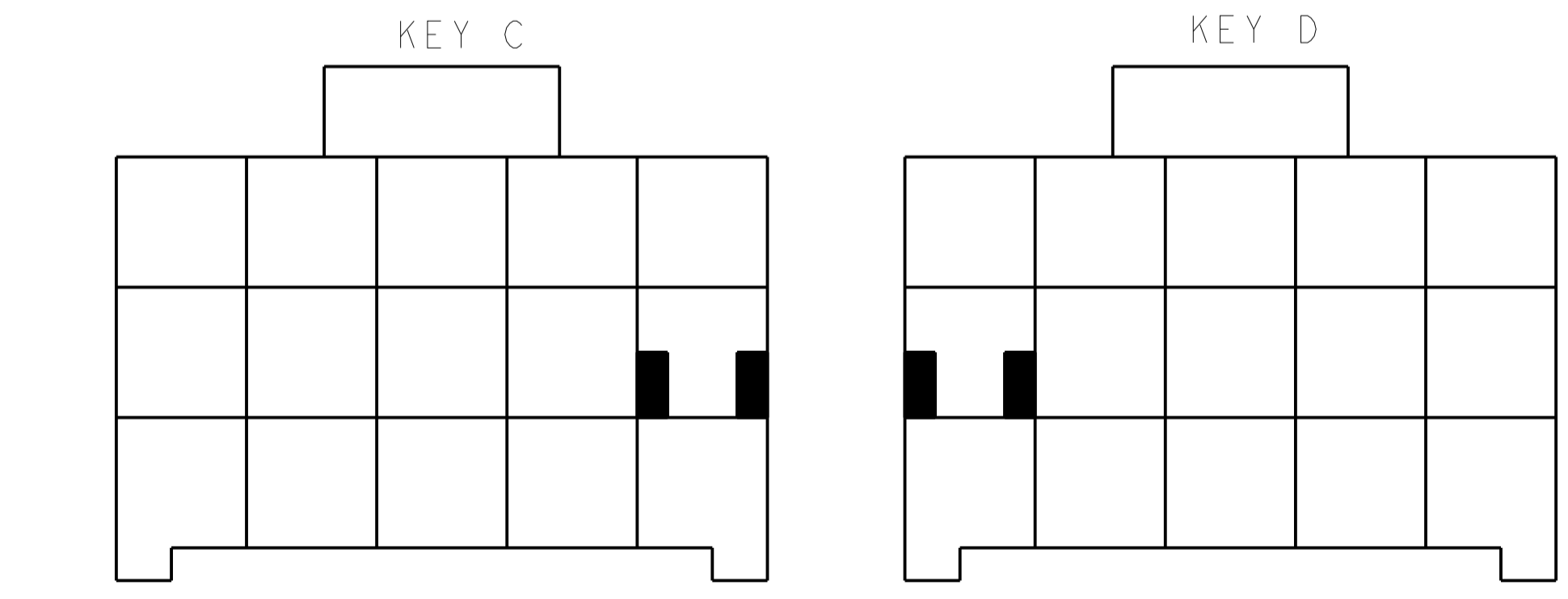
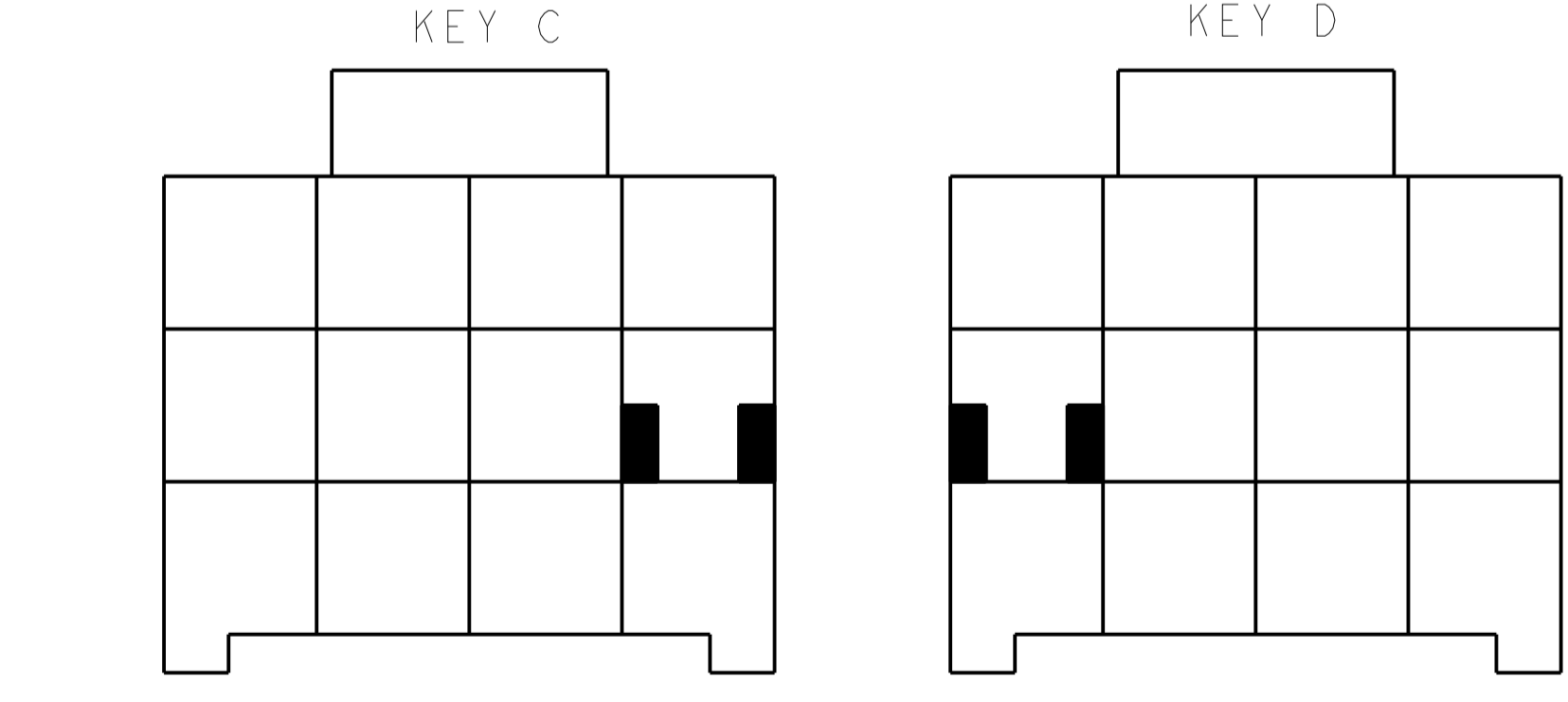
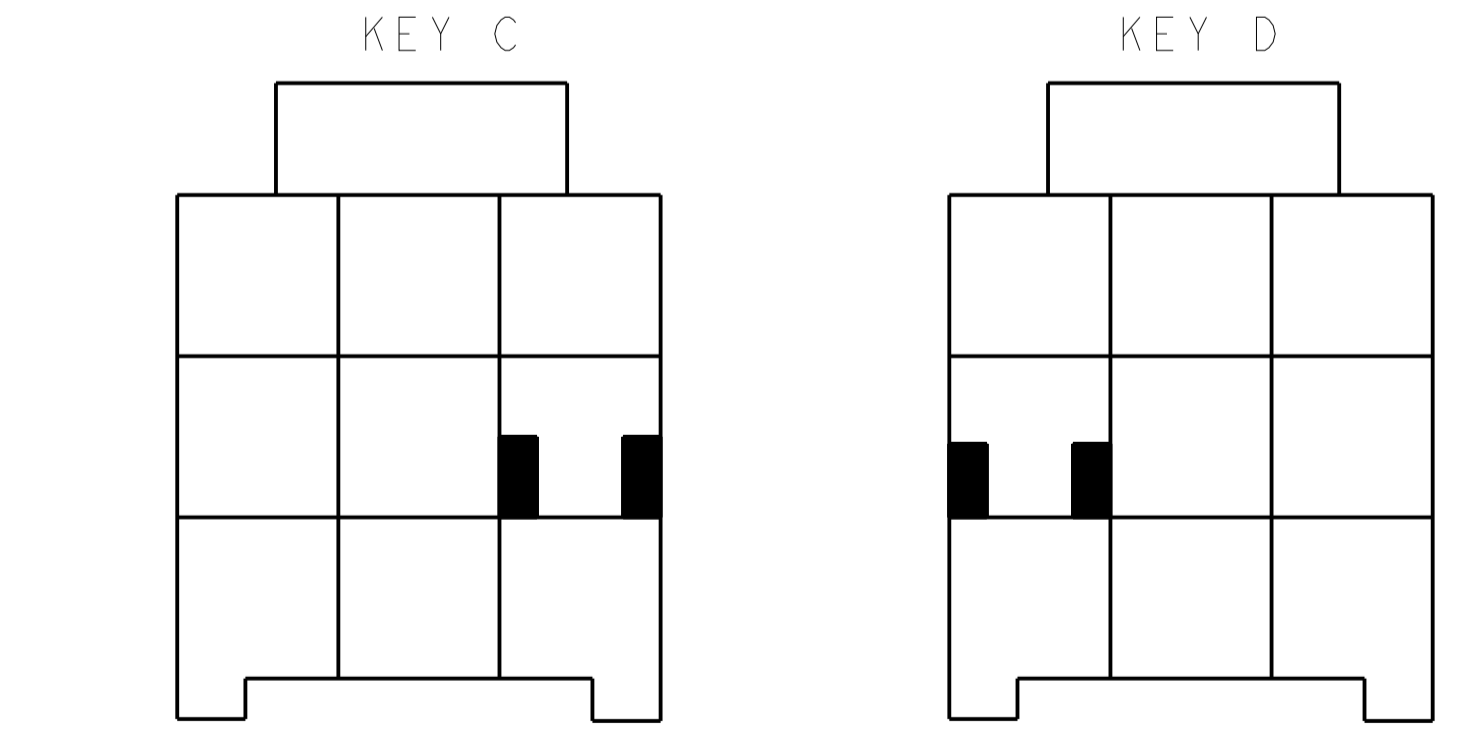
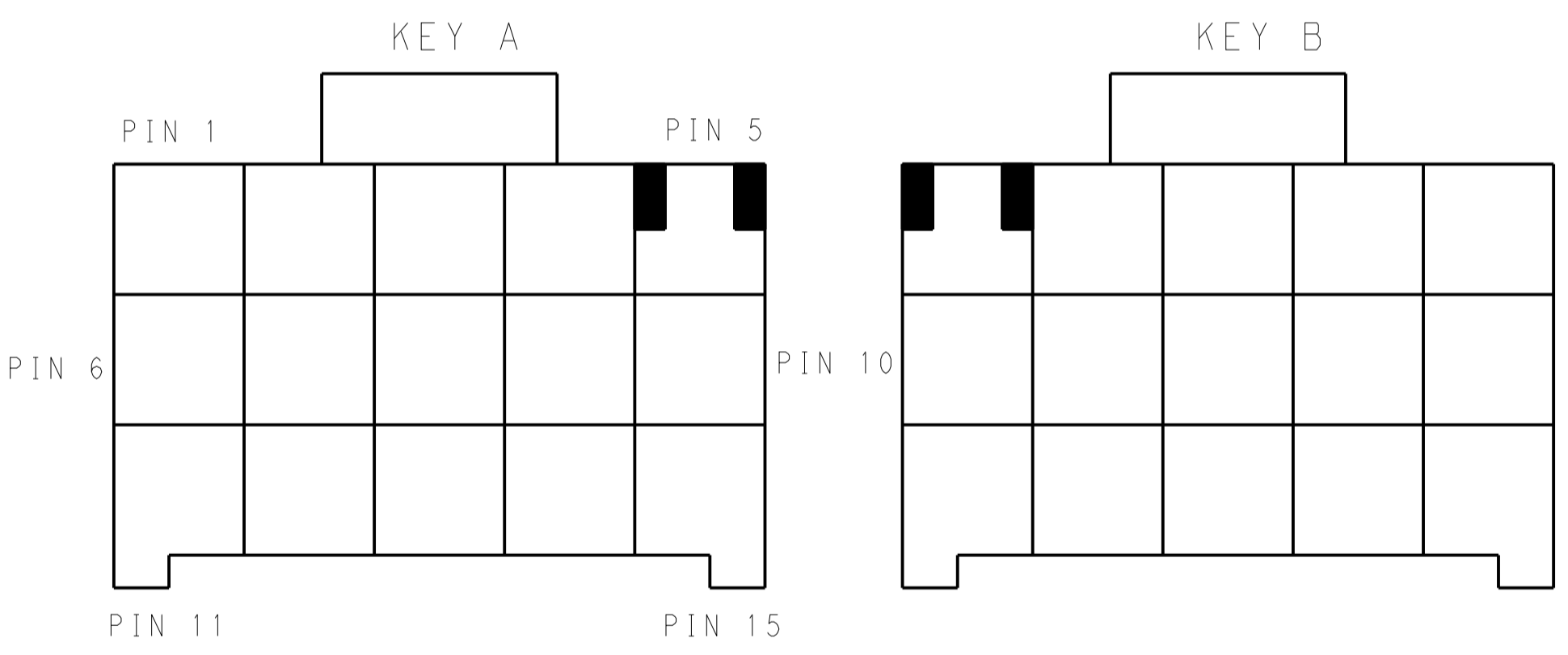
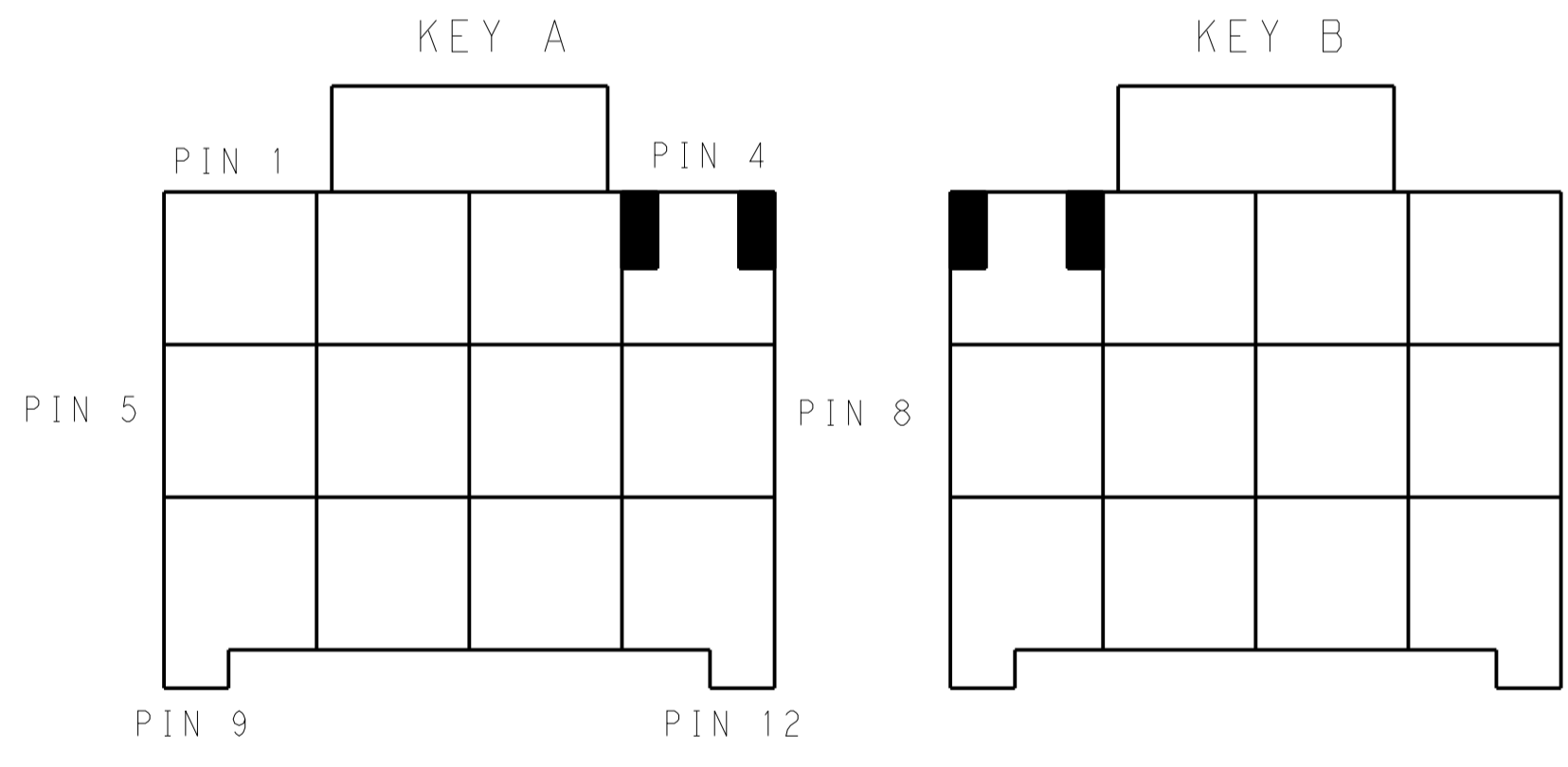
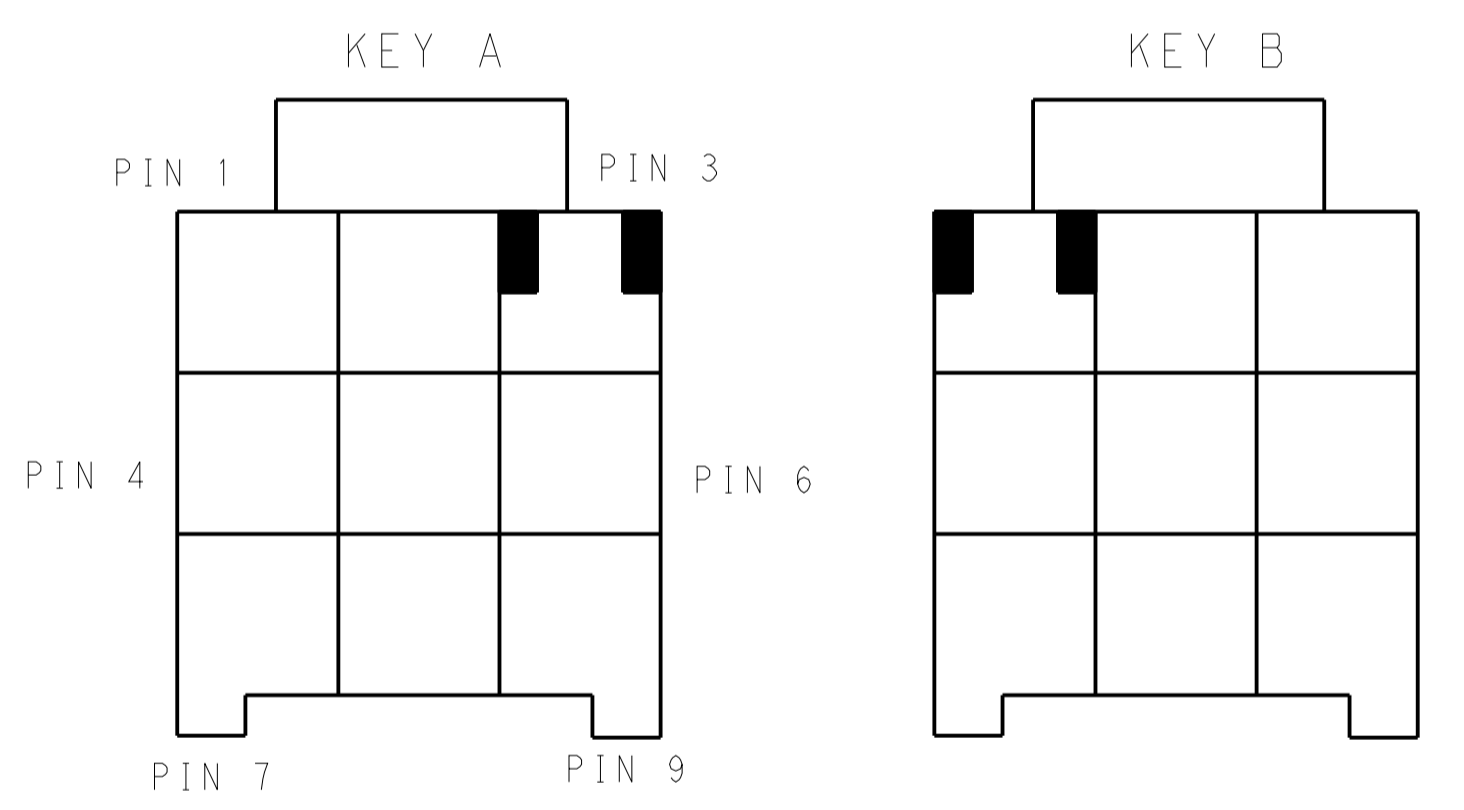
REVISEMENTS		DATE	OWN	APVD
LOC	DIST	DESCRIPTION		
-	-	SEE SHEET 1	-	-



3*3 POSITIONS

3*4 POSITIONS

3*5 POSITIONS



KEYING FOR 3*3 POS.

KEYING FOR 3*4 POS.

KEYING FOR 3*5 POS.

POS.	MATERIAL	COLOR	KEY	P/N
3*5	LEVEL A	DARK GREY	KEY A	5-2232356-7
		BROWN	KEY B	6-2232356-7
		GREEN	KEY C	7-2232356-7
		ORANGE	KEY D	8-2232356-7
3*4	LEVEL A	BLACK	KEY A	1-2232356-5
		DARK GREY	KEY A	5-2232356-4
		BROWN	KEY B	6-2232356-4
		GREEN	KEY C	7-2232356-4
3*3	LEVEL A	ORANGE	KEY D	8-2232356-4
		DARK GREY	KEY A	5-2232356-3
		BROWN	KEY B	6-2232356-3
		GREEN	KEY C	7-2232356-3
LEVEL B	KEY A	ORANGE	KEY D	8-2232356-3
		BLACK	KEY A	1-2232356-6

THIS DRAWING IS A CONTROLLED DOCUMENT.

OWN: TOMMY WU 26MAR2013
 CHK: HAPYE WU 26MAR2013
 APVD: YUHONG MAO 26MAR2013

DIMENSIONS: mm
 TOLERANCES UNLESS OTHERWISE SPECIFIED:
 0 PLC ±0.35
 1 PLC ±0.25
 2 PLC ±0.25
 3 PLC ±0.25
 4 PLC ±0.25
 ANGLES ±0.5

MATERIAL: -
 FINISH: -

PRODUCT SPEC: 108-106118
 APPLICATION SPEC: 114-106118
 WEIGHT: -
 Customer Drawing

TE Connectivity
 NAME: CAP HOUSING, PANEL MOUNT, TRIPLE ROW POWER TRIPLE LOCK
 SIZE: A100779
 SCALE: - SHEET 2 OF 2 REV C

X-ON Electronics

Largest Supplier of Electrical and Electronic Components

Click to view similar products for [Headers & Wire Housings](#) category:

Click to view products by [TE Connectivity](#) manufacturer:

Other Similar products are found below :

[892-18-020-10-001101](#) [58102-G61-06LF](#) [582553-1](#) [0009485154](#) [009176003701906](#) [0050291907](#) [LY20-4P-DT1-P1E-BR](#) [02.125.8002.8](#)
[609-3404](#) [61062-3](#) [61082-181009](#) [622-3653LF](#) [63453-116](#) [636-1030](#) [636-1427](#) [636-3427](#) [636-4007](#) [641938-9](#) [641991-4](#) [644827-2](#) [65817-010LF](#) [65817-015LF](#) [65863-015LF](#) [66207-023LF](#) [67095-007LF](#) [67601157](#) [68645-018](#) [68648-049](#) [70.362.1628.0](#) [70-4210](#) [70-4226B](#) [70-4853B](#) [707-5020](#) [707-5028](#) [71.350.2428.0](#) [71918-208LF](#) [71961-016LF](#) [733-134](#) [733-162](#) [754199-000](#) [760-3052](#) [787-8014-00](#) [79531-3000](#)
[FCN-360C032-B](#) [FCN-367T-T012/H](#) [FCN-723D010/2](#) [80.063.4001.1](#) [800-90-001-10-001000](#) [800-90-010-10-002000](#) [801-43-002-10-013000](#)