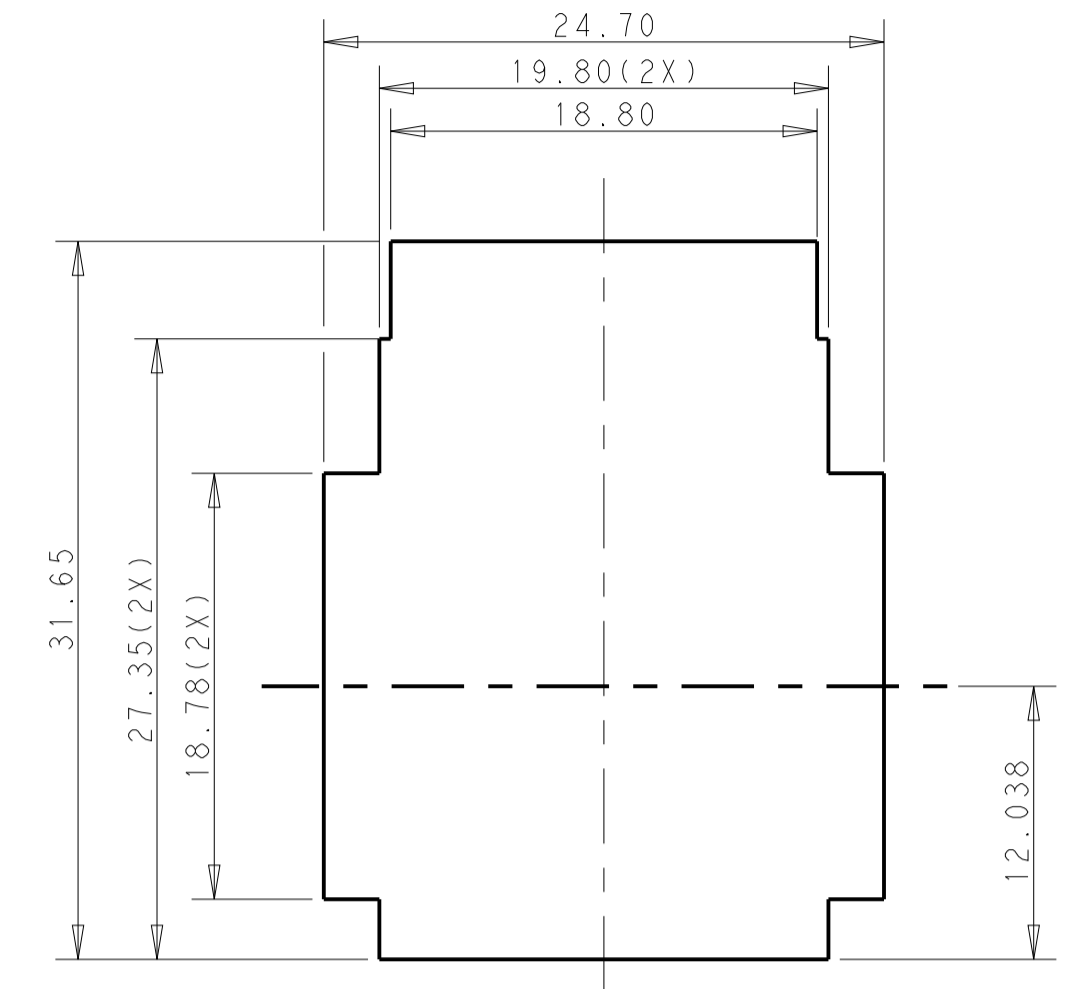
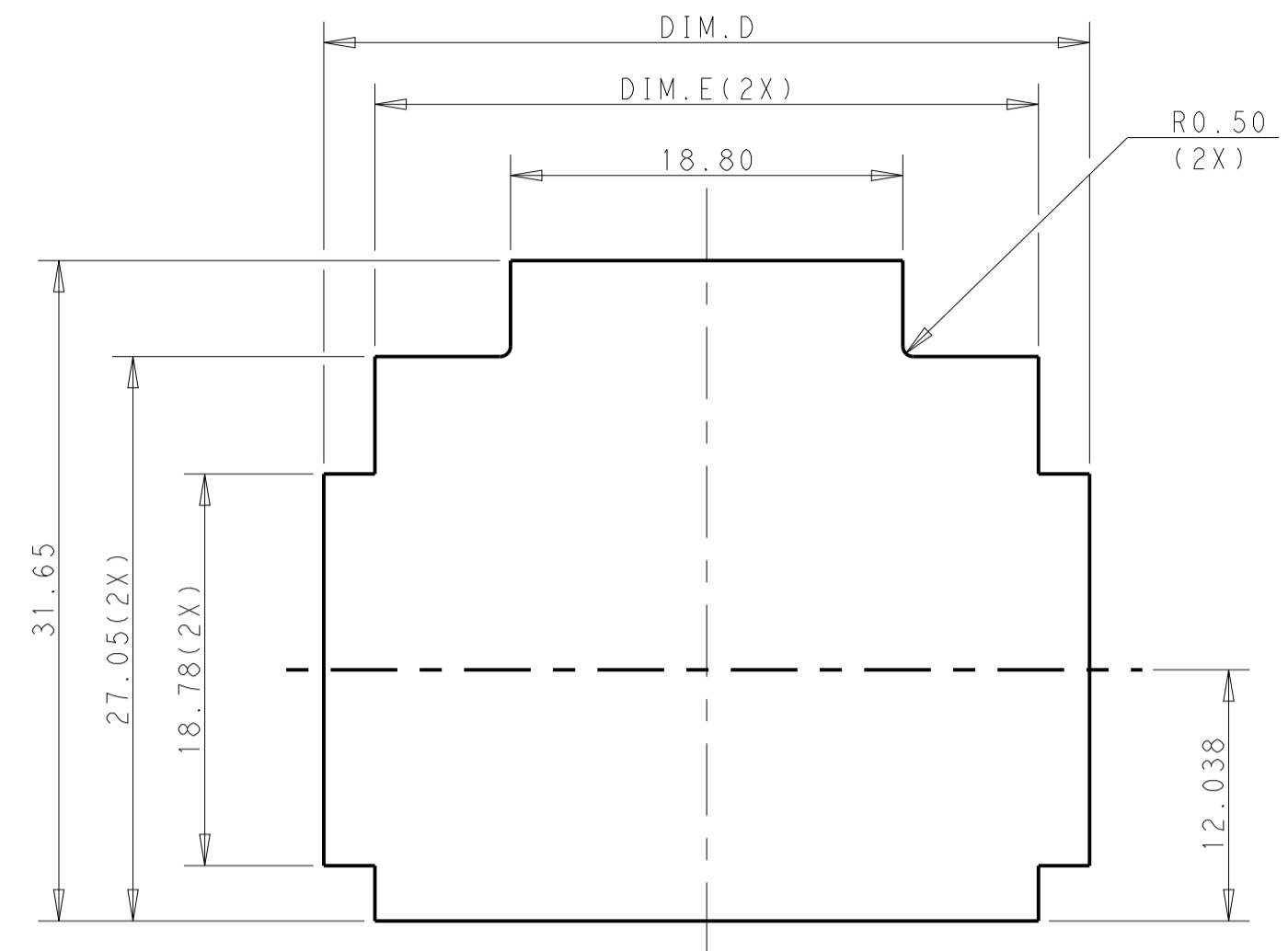
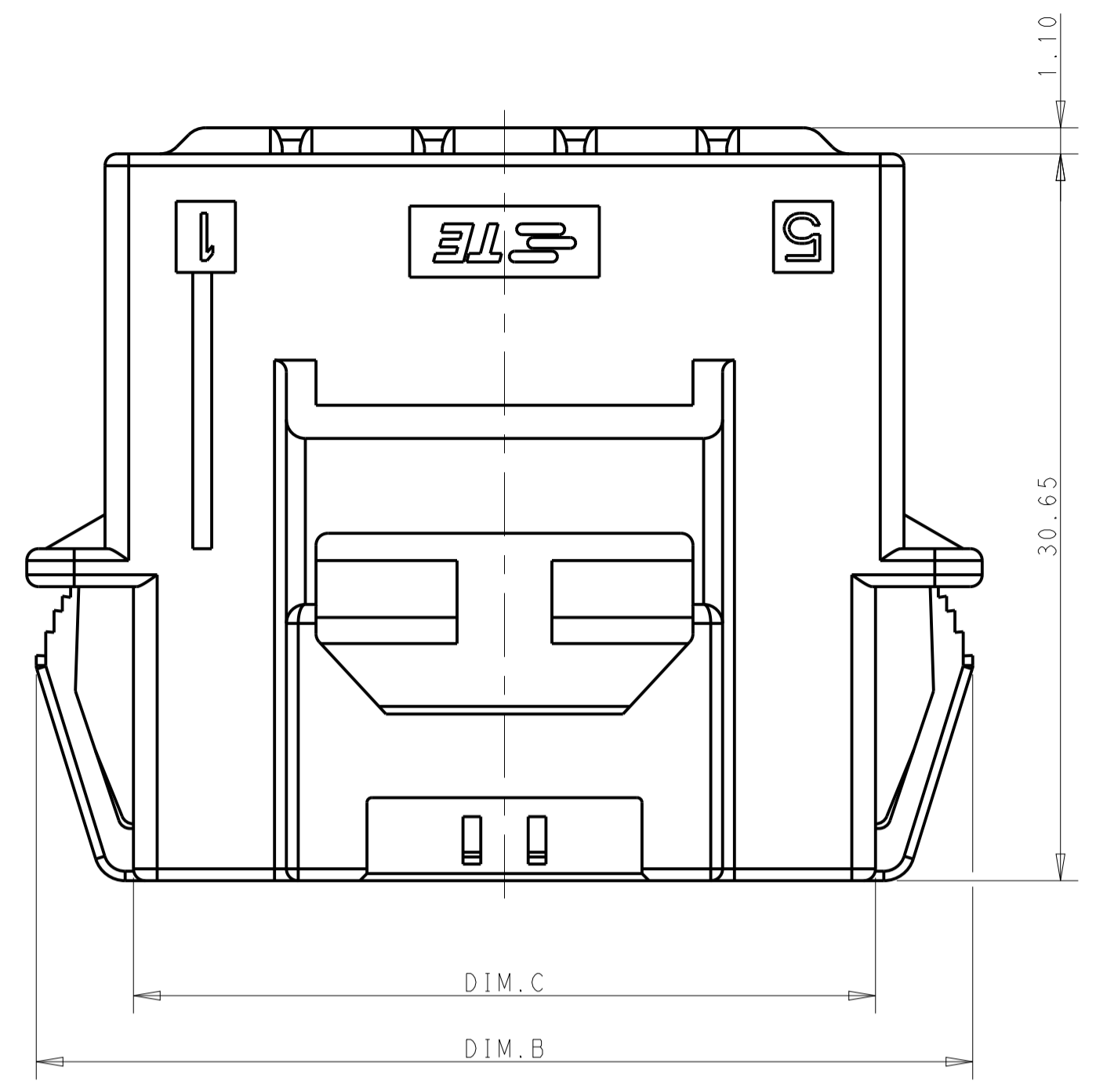
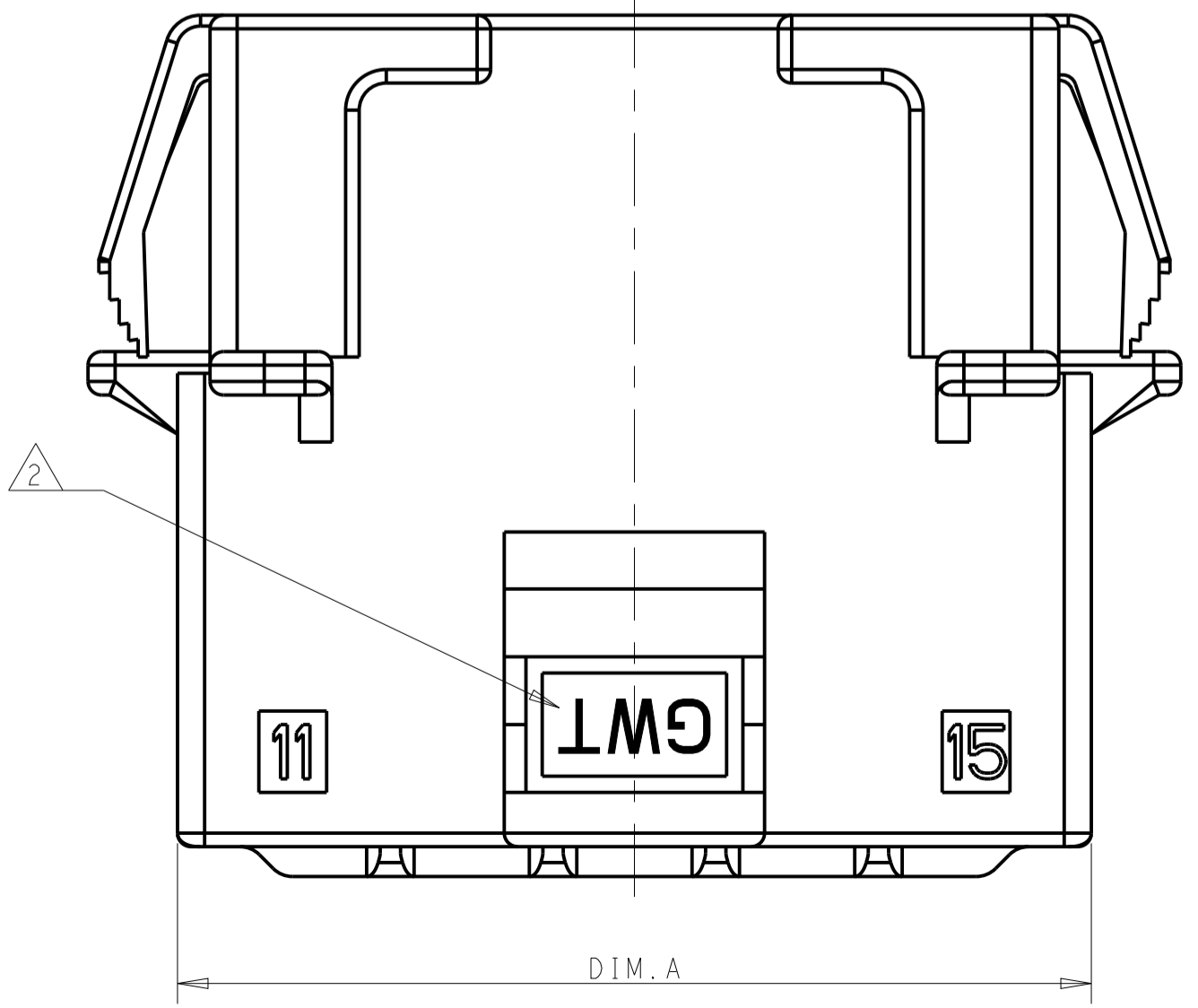
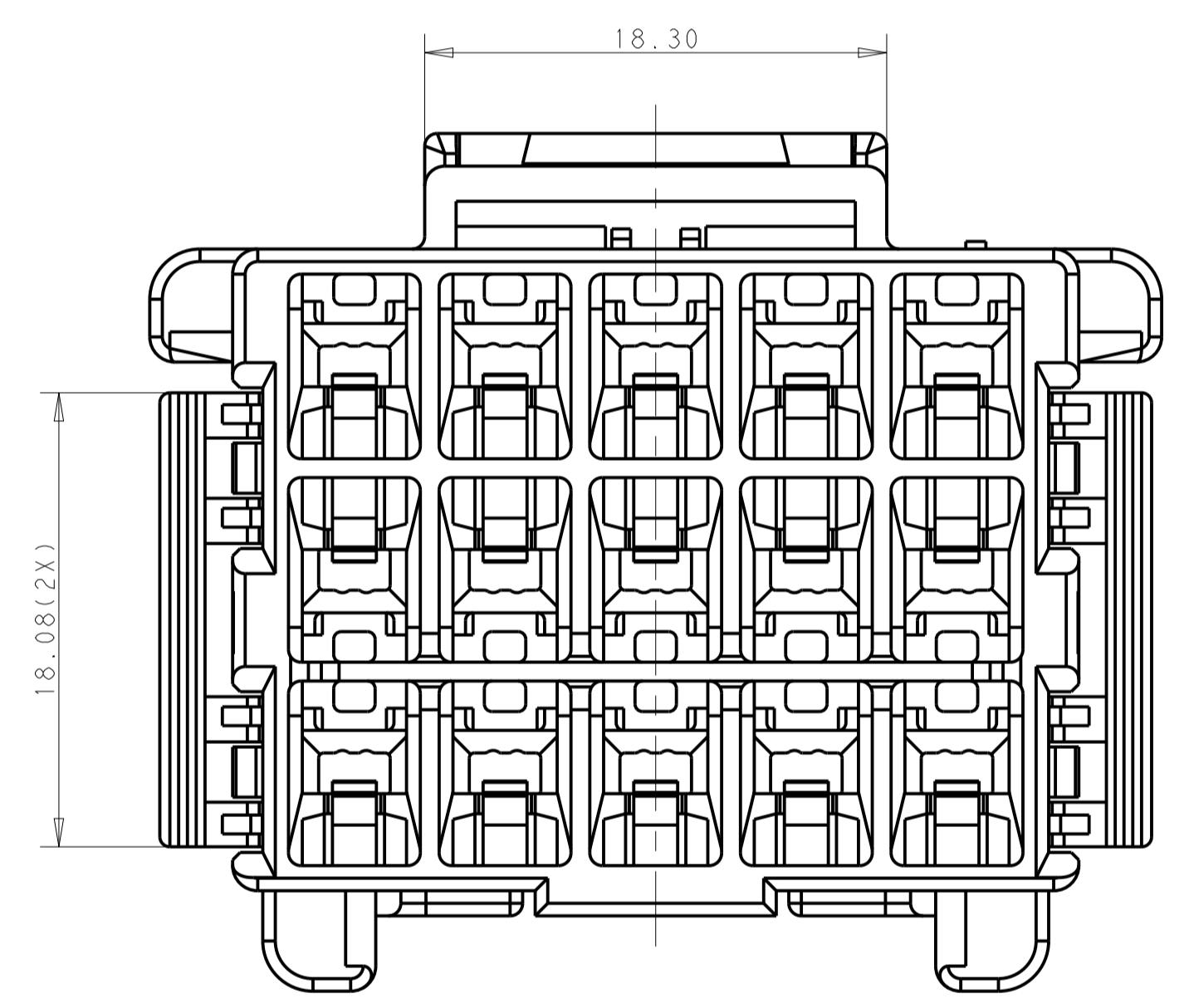
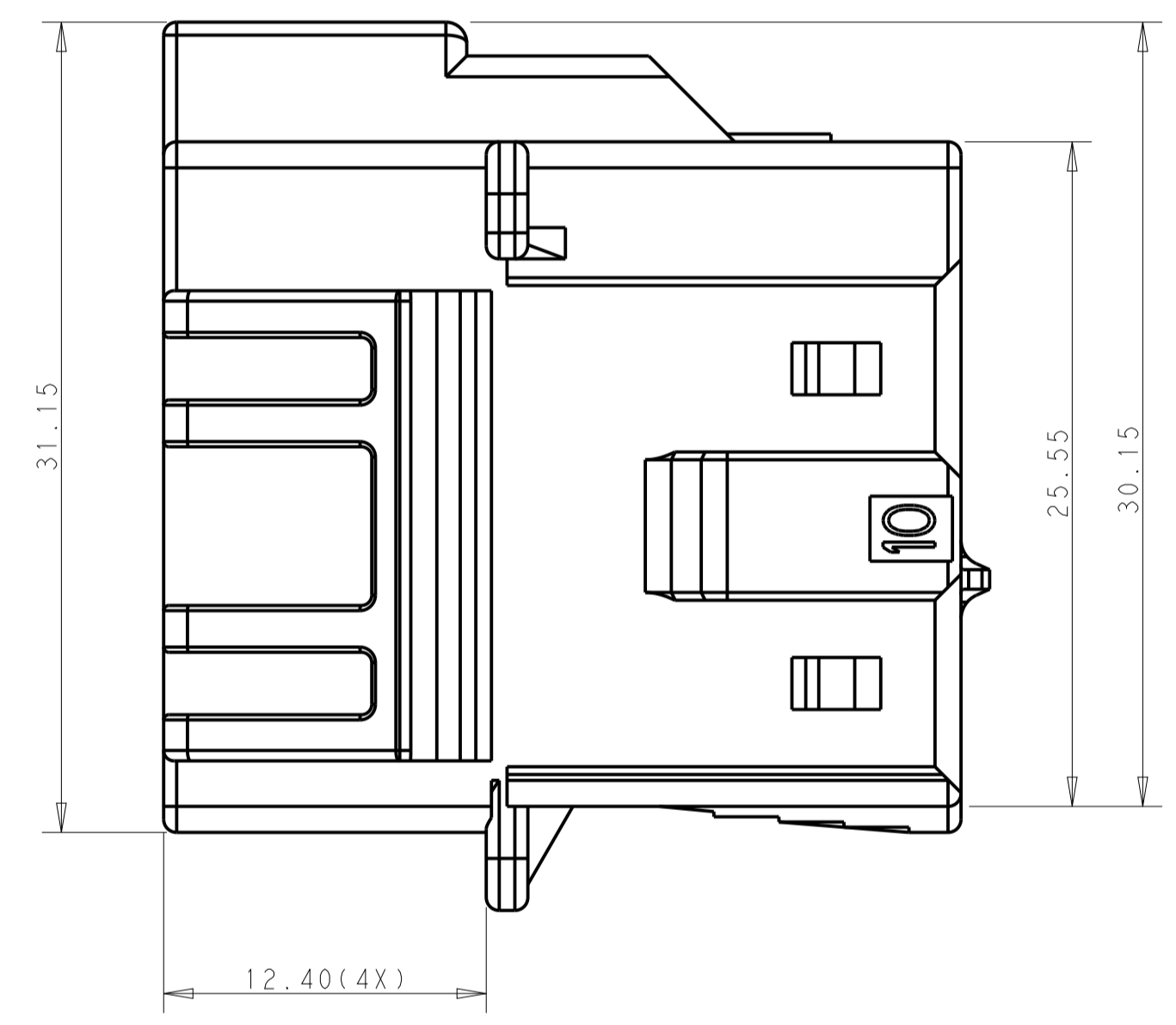
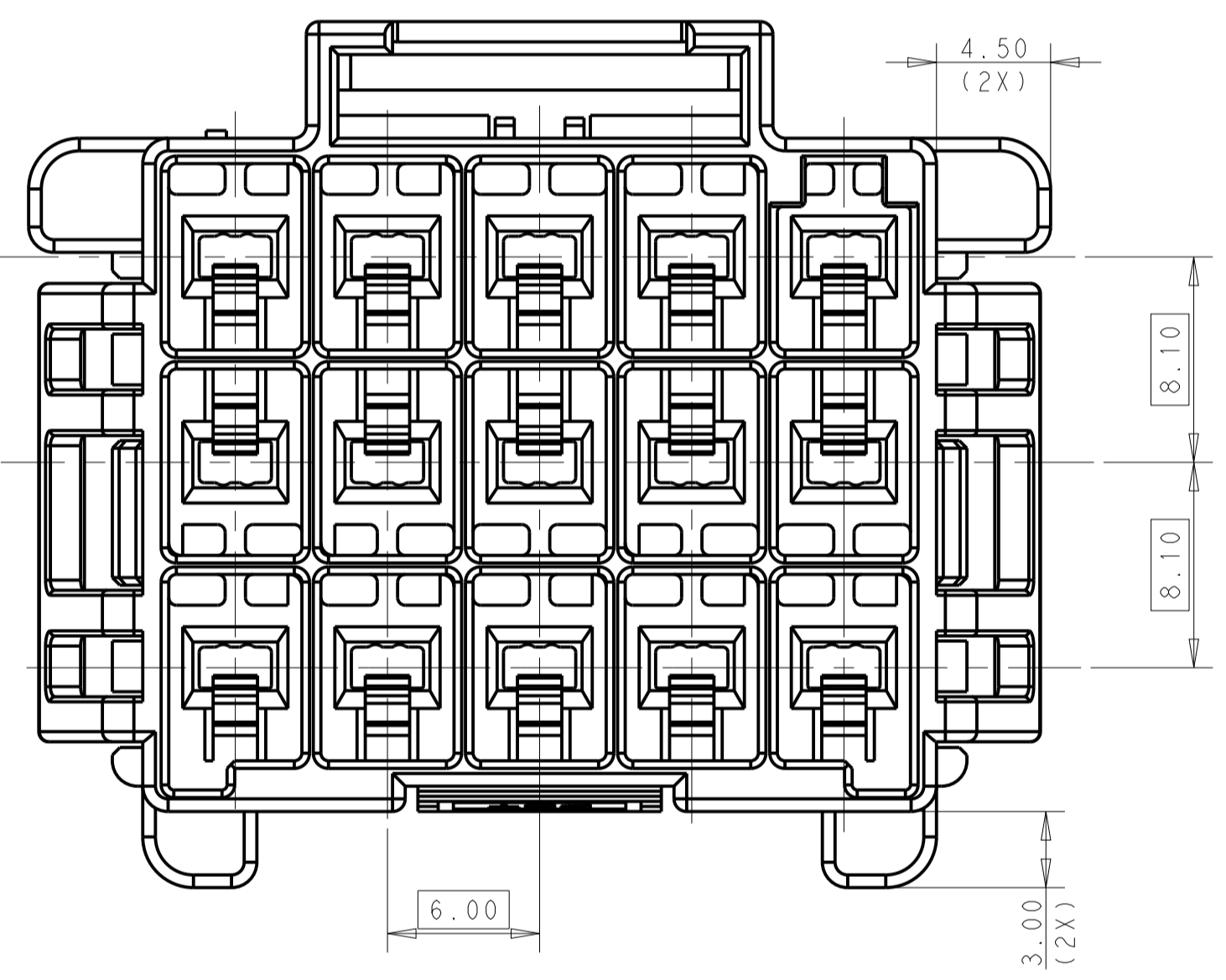


LOC		DIST		REVISIONS			
				REV	DATE	BY	CHK
				C	08APR2021	SS	VS
				DESCRIPTION			
				REVISED PER ECR-21-100678			



RECOMMENDED PANEL OPENING DIMENSIONS  
 FOR CAP HOUSING 3\*5 AND 3\*4 POSITIONS  
 (TOLERANCE: ±0.15mm)

RECOMMENDED PANEL OPENING DIMENSIONS  
 FOR CAP HOUSING 3\*3 POSITION  
 (TOLERANCE: ±0.15mm)



- NOTE
- MATERIAL:  
 LEVEL A: PA6 GLASS FILLED, COMPLY WITH GLOW WIRE REQUIREMENTS FOR PARTS OF NON-METALLIC MATERIAL SUPPORTING A CURRENT-CARRYING CONNECTION DETAILED IN IEC 60335-1, SECTION 30 (GWT), UL 94V-0  
 LEVEL B: PBT GLASS FILLED, HOT WIRE IGNITION (HWI) VERSION ARE MOLDED IN A RESIN THAT COMPLIES WITH TE HOT WIRE IGNITION TEST 109-32026 AND ARE RECOMMENDED FOR USE WITH HWI HOUSINGS THAT ALSO COMPLY, UL 94V-0
  - MATERIAL MARK:  
 LEVEL A:GWT,LEVEL B:HWT
  - APPLICABLE CONTACT P/N  
 TAB CONTACT:1971238/1971780/82/84/86/88-\*
  - MATING CONN. P/N  
 PLUG HSG: \*-2232357-  
 TPA DOUBLE ROW: \*-1971778-; TPA SINGLE ROW: \*-1971777-\*
  - RECOMMENDED PANEL THICKNESS:1.0~2.0mm

POS	A	B	C	D	E
3*5	33.70	39.5	31.30	36.70	31.80
3*4	27.70	33.5	25.30	30.70	25.80
3*3	21.70	27.5	19.30		

THIS DRAWING IS A CONTROLLED DOCUMENT.

DIMENSIONS:	TOLERANCES UNLESS OTHERWISE SPECIFIED:	DWG	TOMMY WU	26MAR2013
mm	0 PLC ±0.15	CHK	HAPYE WU	26MAR2013
	1 PLC ±0.35	APVD	YUZHONG MAO	26MAR2013
	2 PLC ±0.25	PRODUCT SPEC		
	3 PLC ±0.25	APPLICATION SPEC		
	4 PLC ±0.25	114-106118		
	ANGLES ±0.1	WEIGHT		
MATERIAL	FINISH	Customer Drawing		

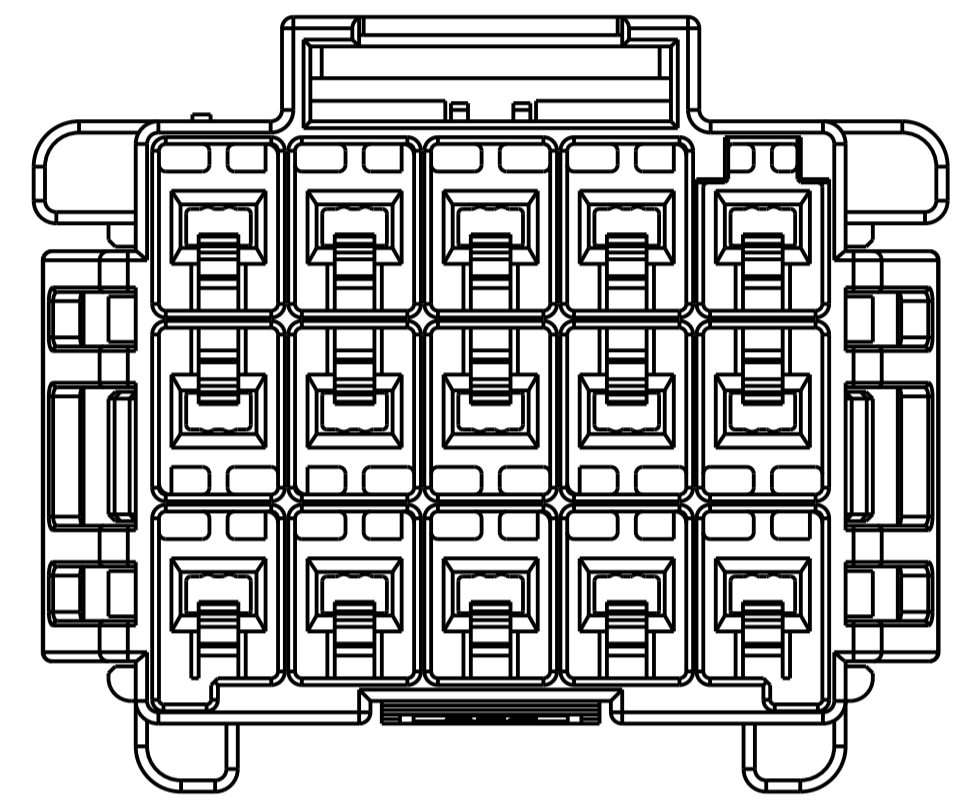
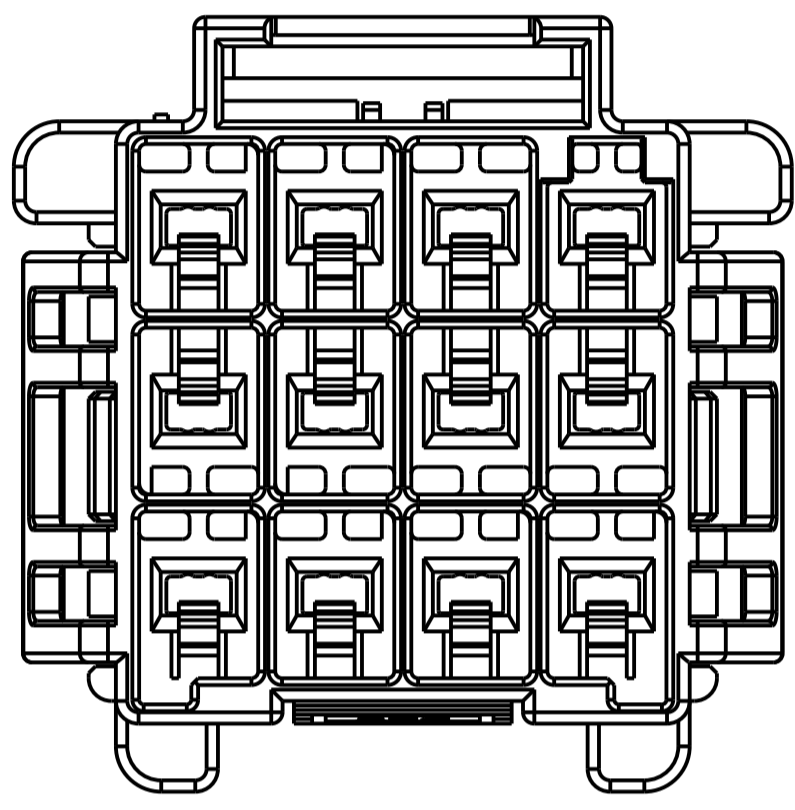
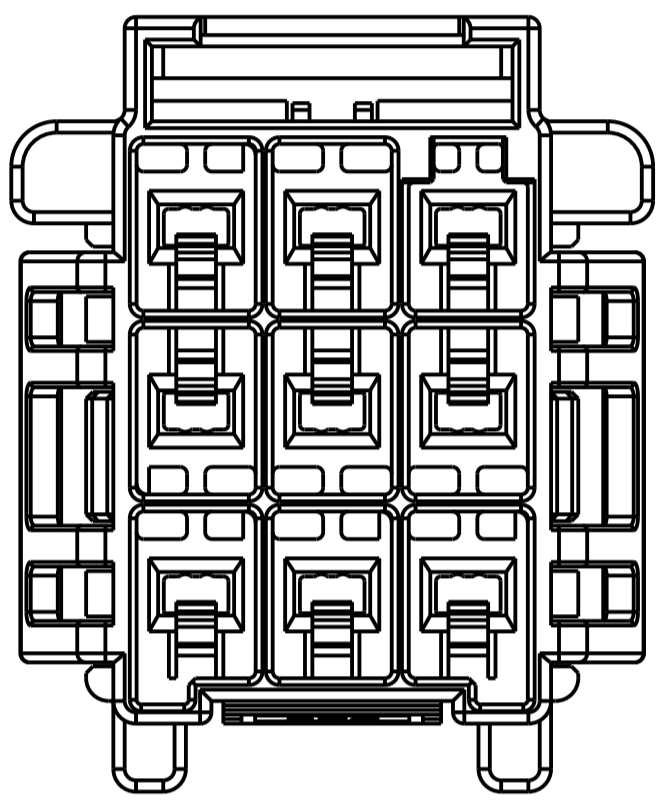
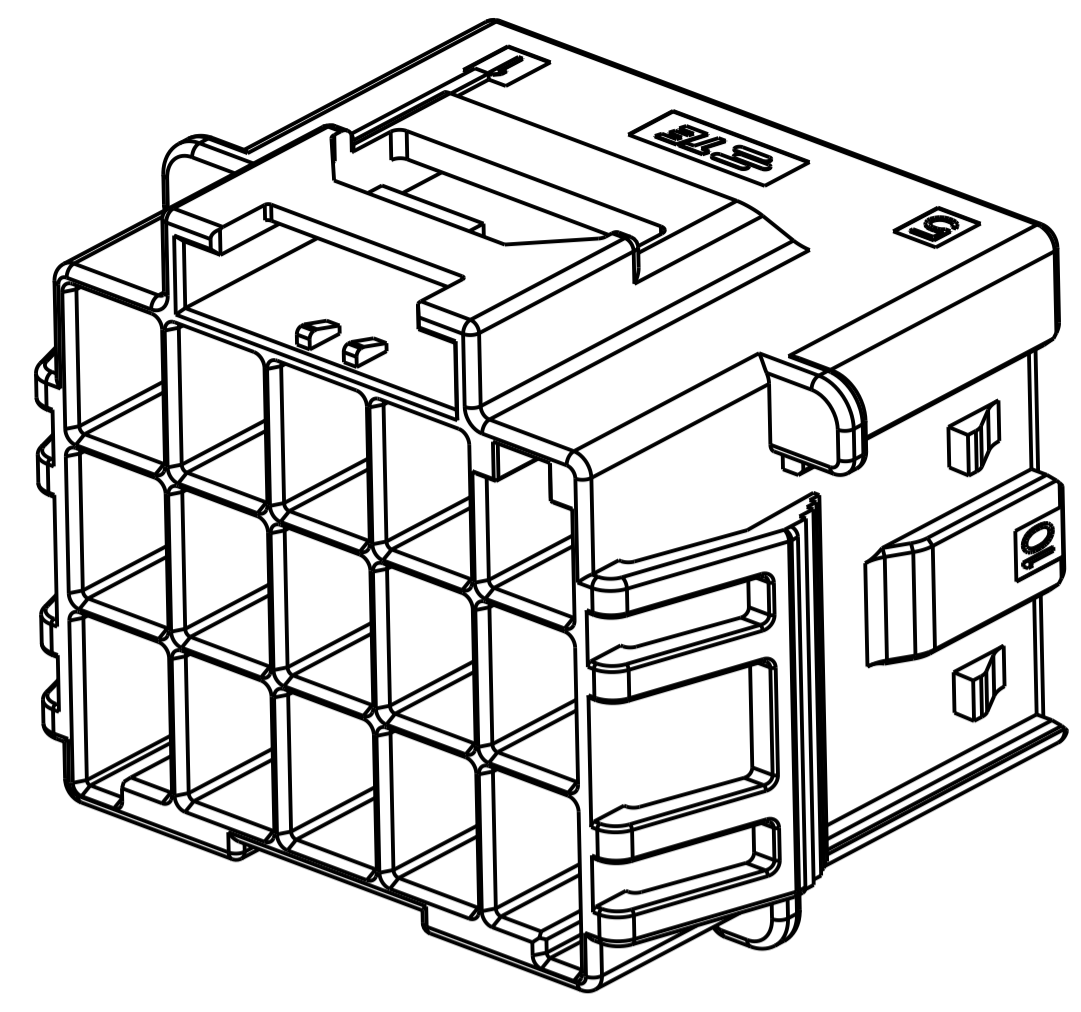
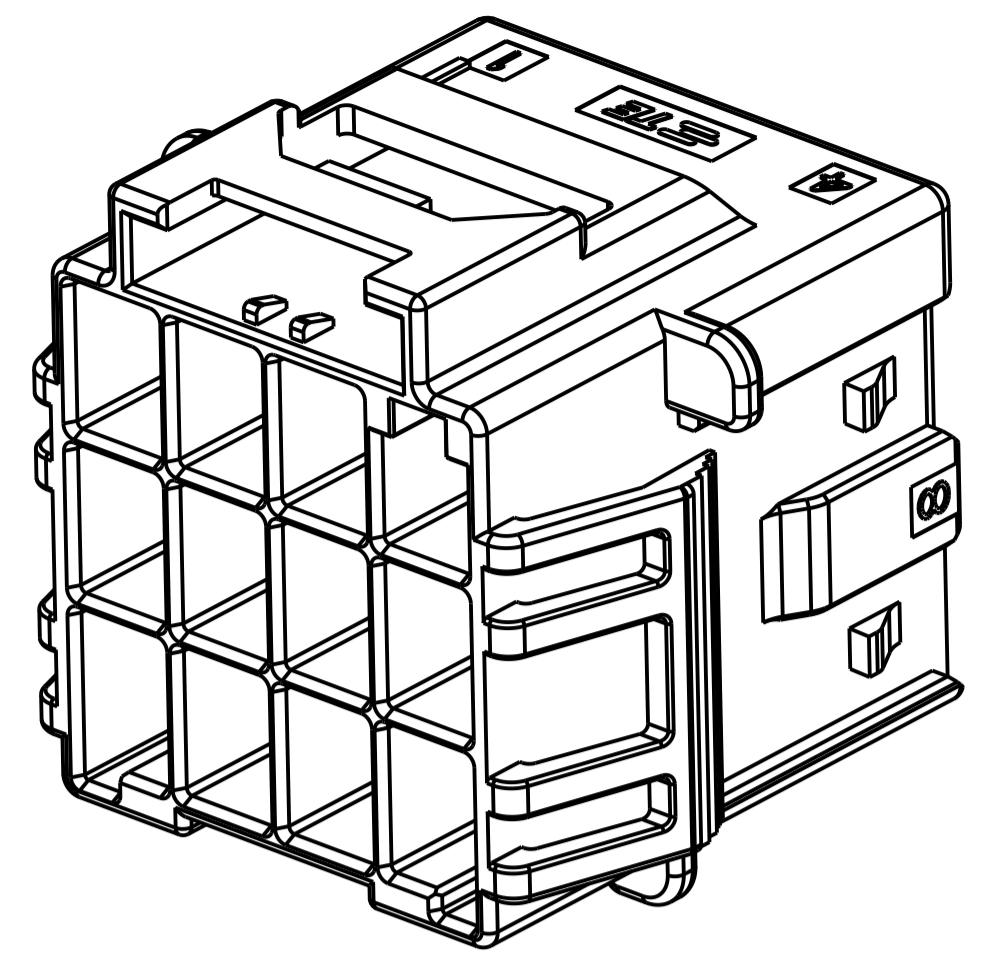
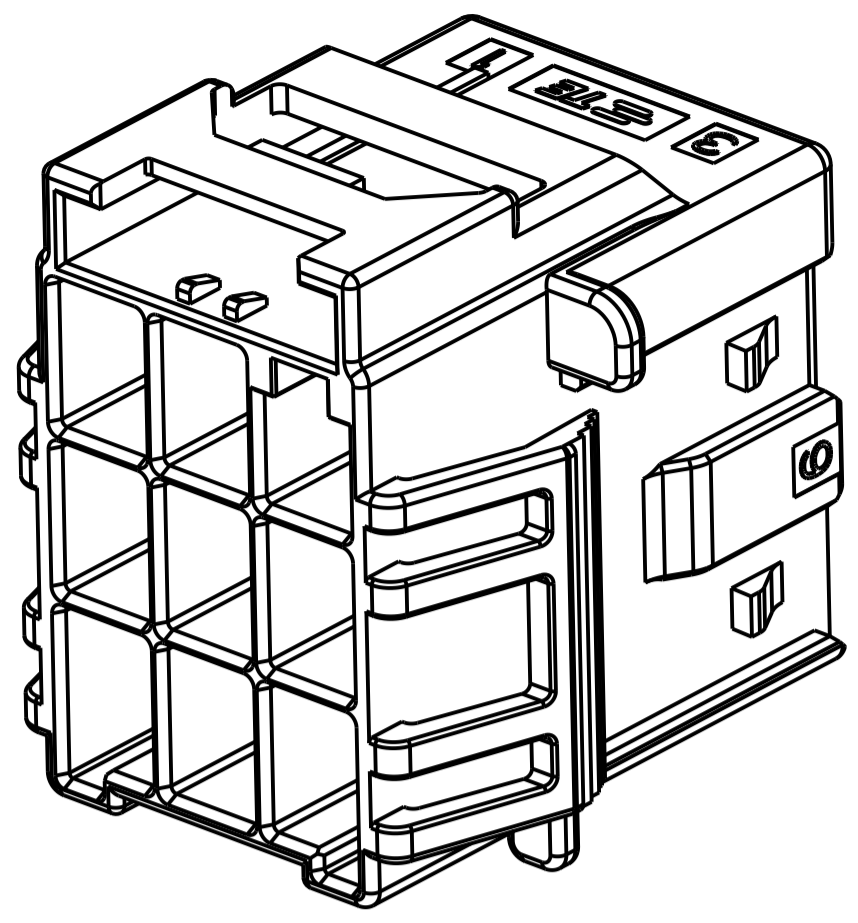
TE Connectivity

NAME: CAP HOUSING, PANEL MOUNT, TRIPLE ROW POWER TRIPLE LOCK

SIZE: A100779 C=2232356

SCALE: SHEET 1 OF 2 REV C

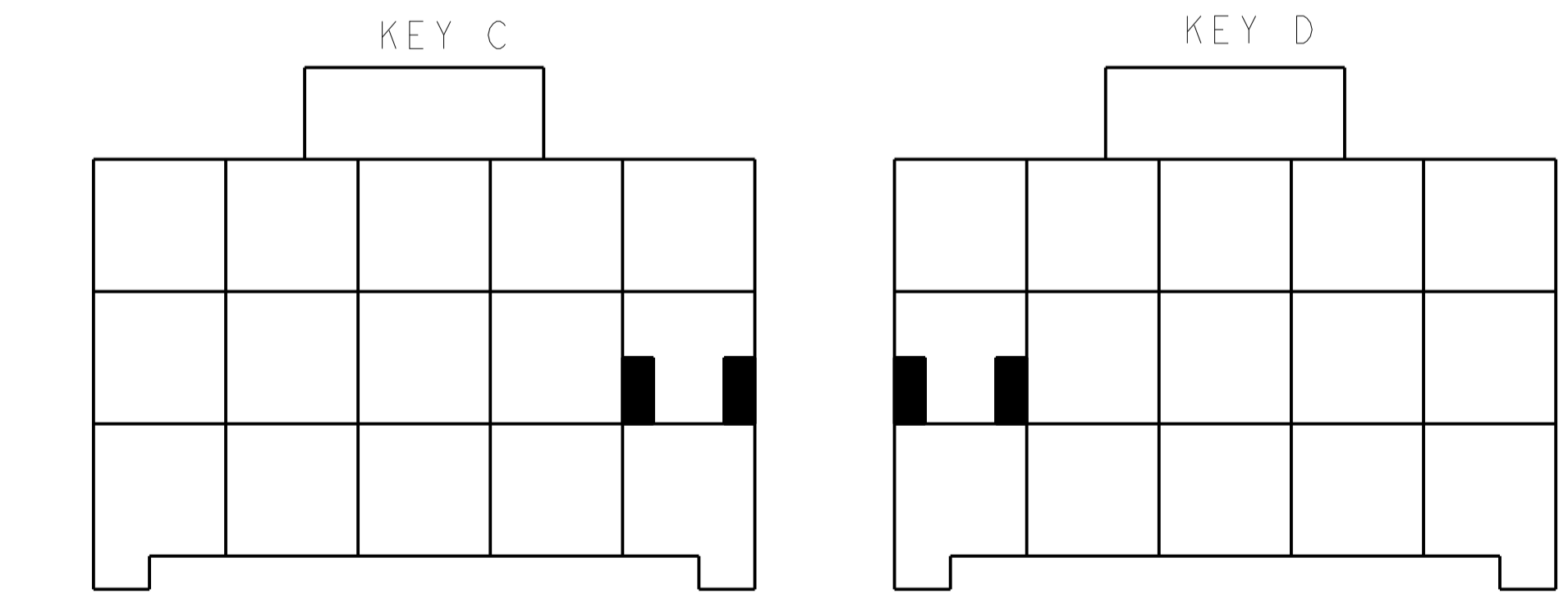
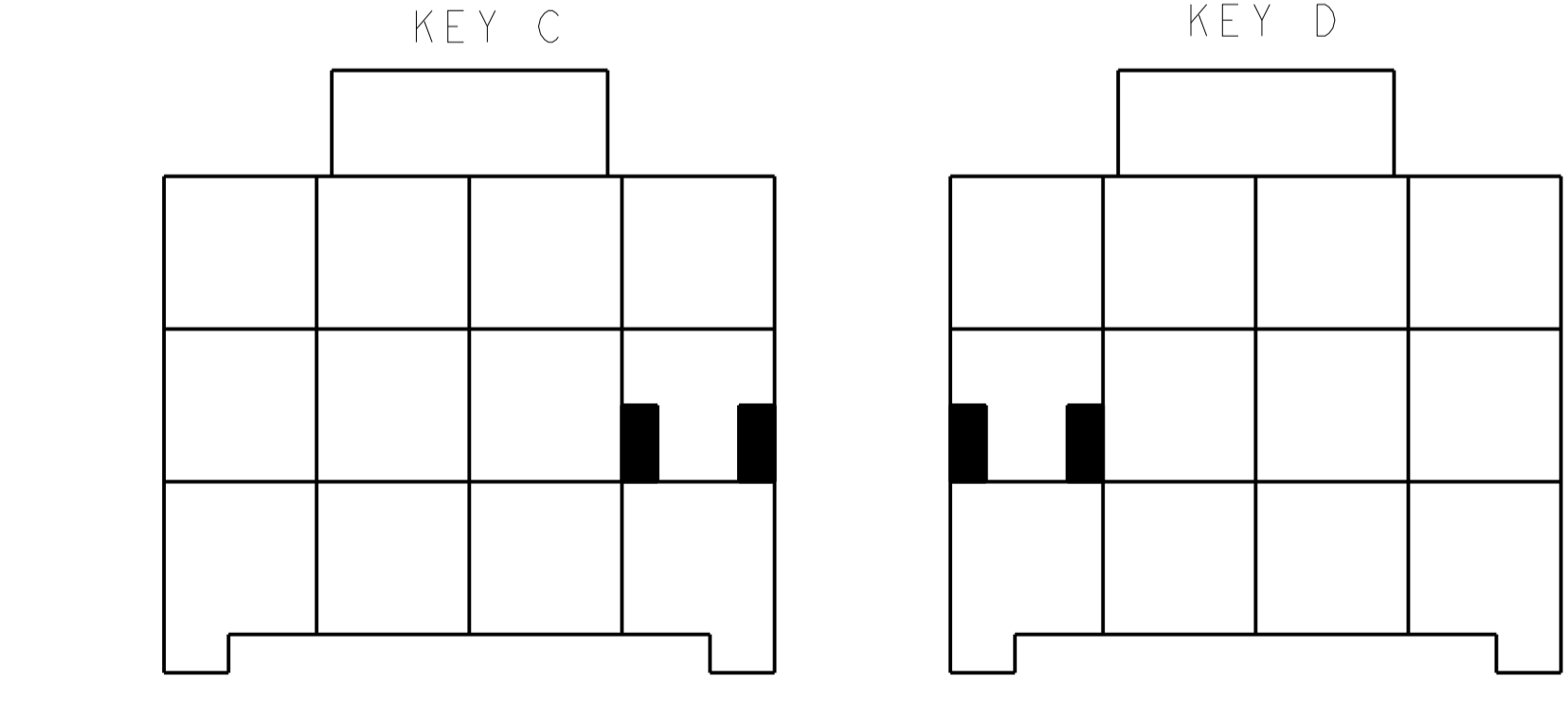
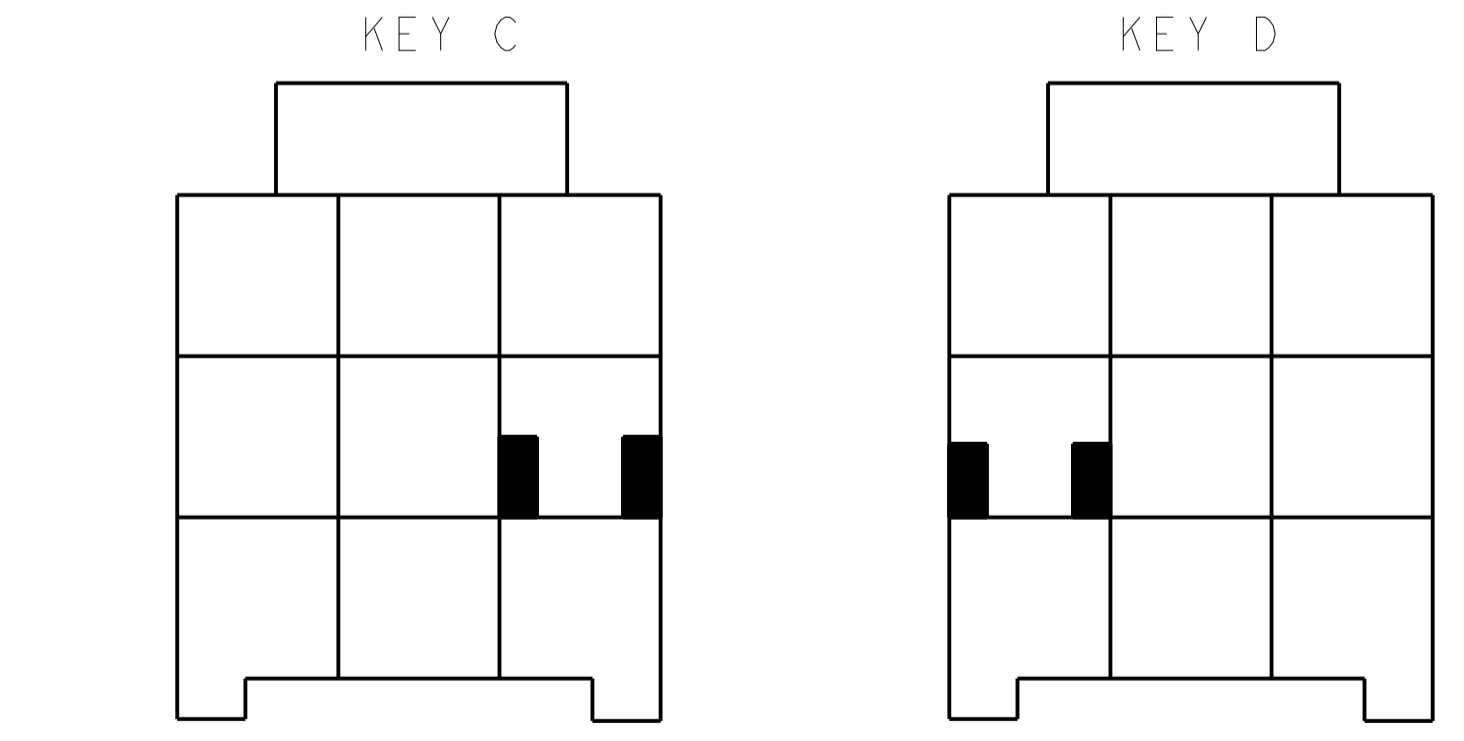
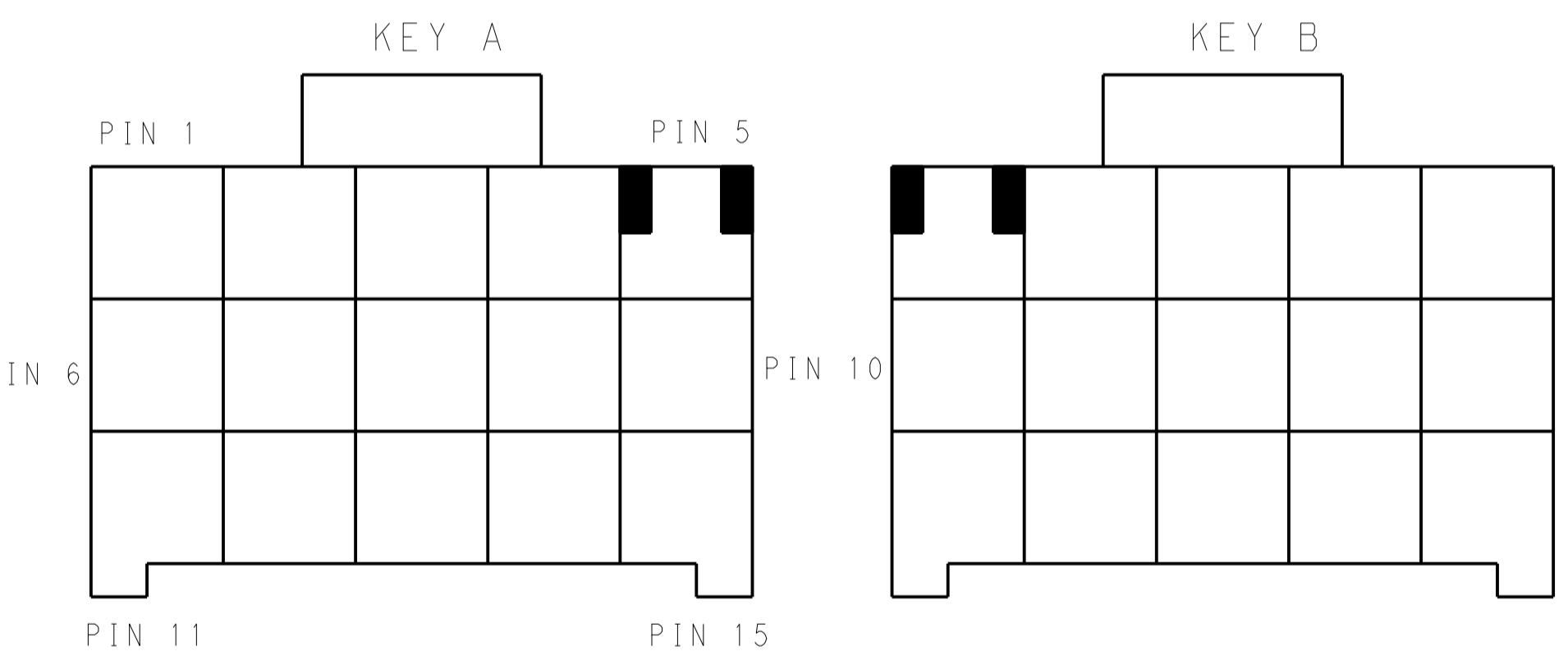
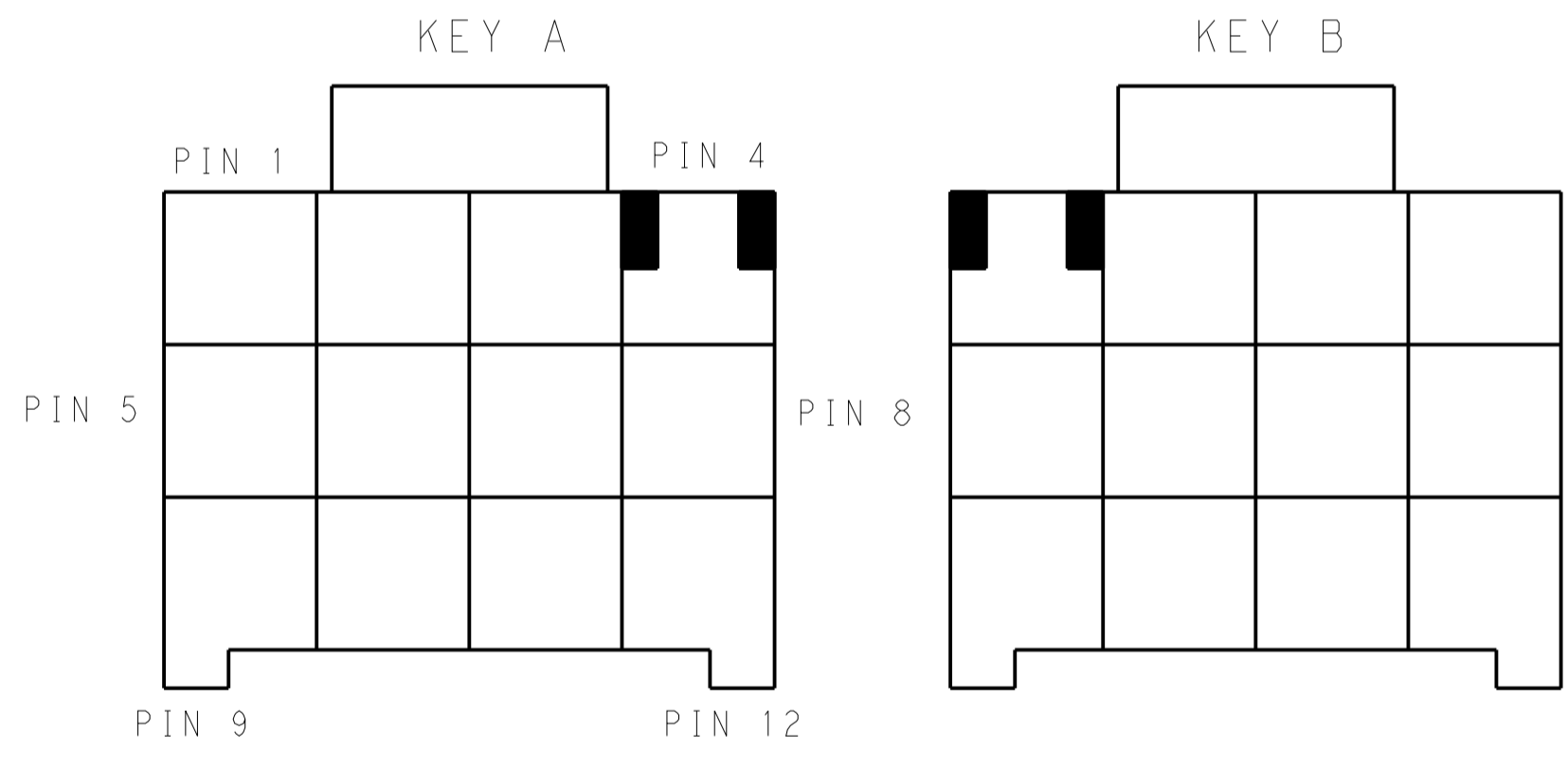
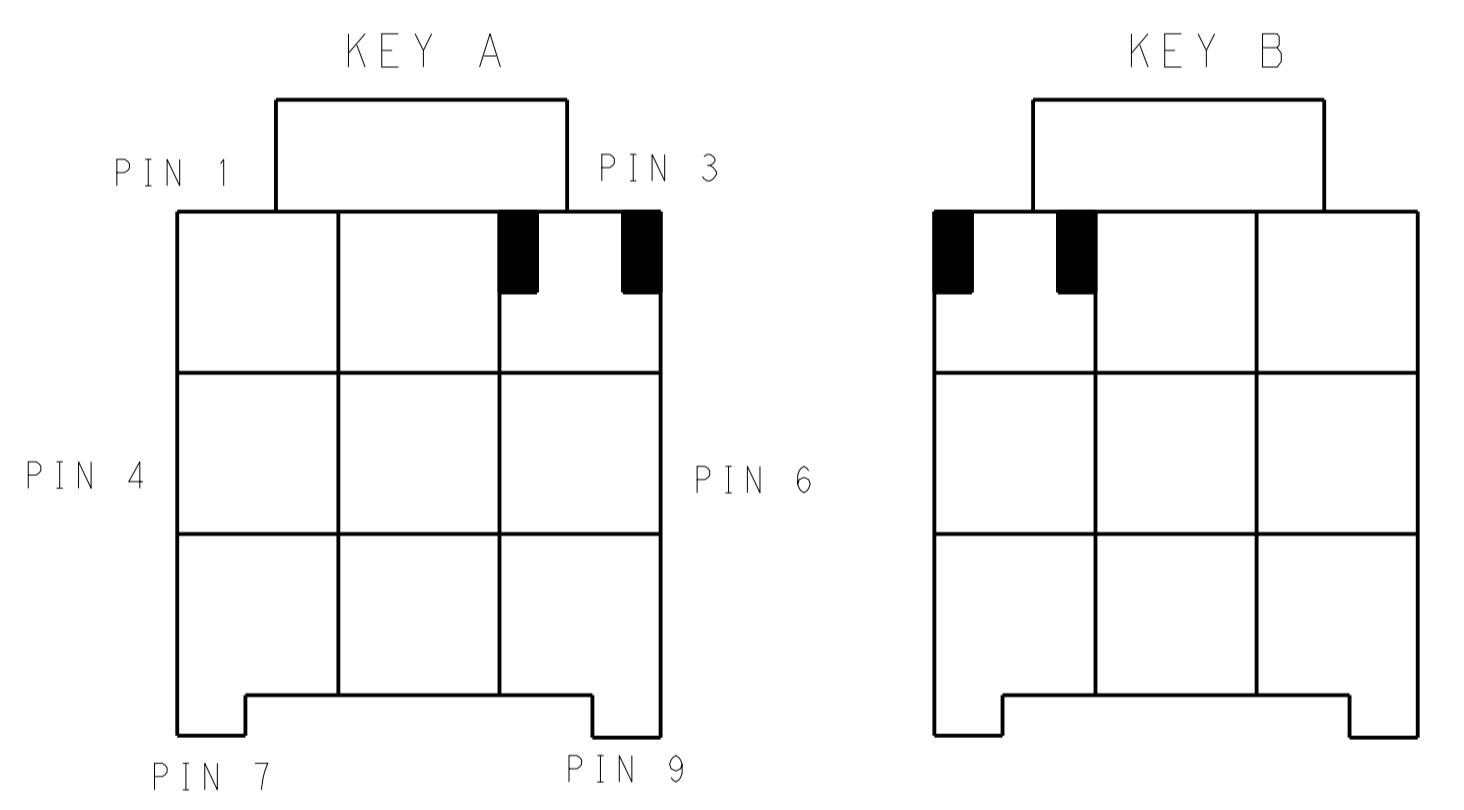
REVISEMENTS		DATE	OWN	APVD
LOC	DIST			



3\*3 POSITIONS

3\*4 POSITIONS

3\*5 POSITIONS



KEYING FOR 3\*3 POS.

KEYING FOR 3\*4 POS.

KEYING FOR 3\*5 POS.

POS.	MATERIAL	COLOR	KEY	P/N
3*5	LEVEL A	DARK GREY	KEY A	5-2232356-7
		BROWN	KEY B	6-2232356-7
		GREEN	KEY C	7-2232356-7
		ORANGE	KEY D	8-2232356-7
3*4	LEVEL B	BLACK	KEY A	1-2232356-5
		DARK GREY	KEY A	5-2232356-4
		BROWN	KEY B	6-2232356-4
		GREEN	KEY C	7-2232356-4
3*3	LEVEL A	ORANGE	KEY D	8-2232356-4
		DARK GREY	KEY A	5-2232356-3
		BROWN	KEY B	6-2232356-3
		GREEN	KEY C	7-2232356-3
3*3	LEVEL B	ORANGE	KEY D	8-2232356-3
		BLACK	KEY A	1-2232356-6

THIS DRAWING IS A CONTROLLED DOCUMENT.

OWN: TOMMY WU 26MAR2013  
 CHK: HAPYE WU 26MAR2013  
 APVD: YUHONG MAO 26MAR2013

DIMENSIONS: mm  
 TOLERANCES UNLESS OTHERWISE SPECIFIED:  
 0 PLC ±0.35  
 1 PLC ±0.25  
 2 PLC ±0.25  
 3 PLC ±0.25  
 4 PLC ±0.25  
 ANGLES ±0.5

MATERIAL: -  
 FINISH: -

PRODUCT SPEC: 108-106118  
 APPLICATION SPEC: 114-106118  
 WEIGHT: -  
 Customer Drawing

TE Connectivity  
 CAP HOUSING, PANEL MOUNT, TRIPLE ROW  
 POWER TRIPLE LOCK

SIZE: A1  
 CAGE CODE: 100779  
 DRAWING NO: 2232356  
 SHEET 2 OF 2  
 REV C

## X-ON Electronics

Largest Supplier of Electrical and Electronic Components

*Click to view similar products for [Headers & Wire Housings](#) category:*

*Click to view products by [TE Connectivity](#) manufacturer:*

Other Similar products are found below :

[892-18-020-10-001101](#) [58102-G61-06LF](#) [582553-1](#) [0009485154](#) [009176003701906](#) [0050291907](#) [LY20-4P-DT1-P1E-BR](#) [02.125.8002.8](#)  
[609-3404](#) [61062-3](#) [61082-181009](#) [622-3653LF](#) [63453-116](#) [636-1030](#) [636-1427](#) [636-3427](#) [636-4007](#) [641938-9](#) [641991-4](#) [644827-2](#) [65817-010LF](#) [65817-015LF](#) [65863-015LF](#) [66207-023LF](#) [67095-007LF](#) [67601157](#) [68645-018](#) [68648-049](#) [70.362.1628.0](#) [70-4210](#) [70-4226B](#) [70-4853B](#) [707-5020](#) [707-5028](#) [71.350.2428.0](#) [71918-208LF](#) [71961-016LF](#) [733-134](#) [733-162](#) [754199-000](#) [760-3052](#) [787-8014-00](#) [79531-3000](#)  
[FCN-360C032-B](#) [FCN-367T-T012/H](#) [FCN-723D010/2](#) [80.063.4001.1](#) [800-90-001-10-001000](#) [800-90-010-10-002000](#) [801-43-002-10-013000](#)