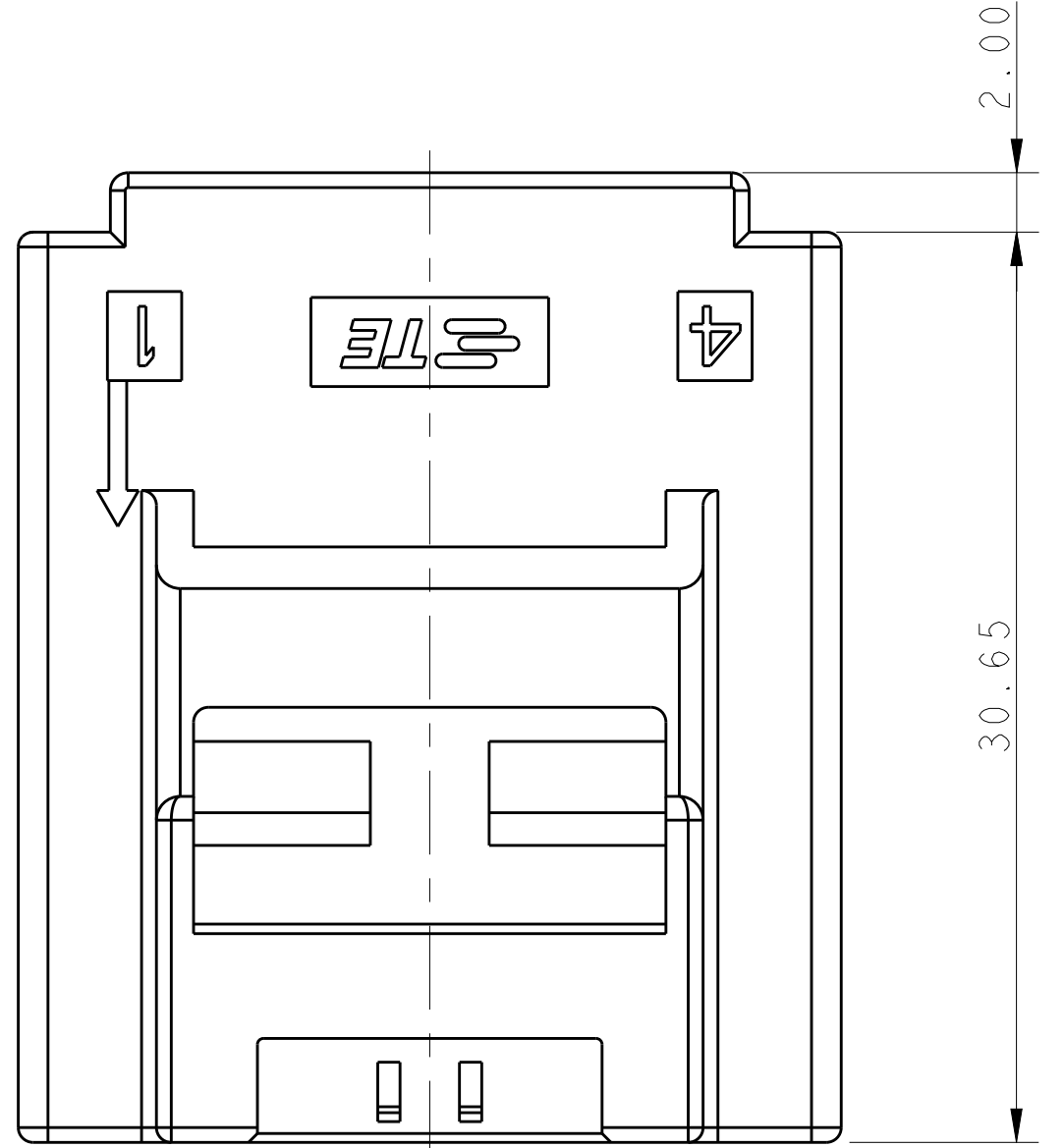
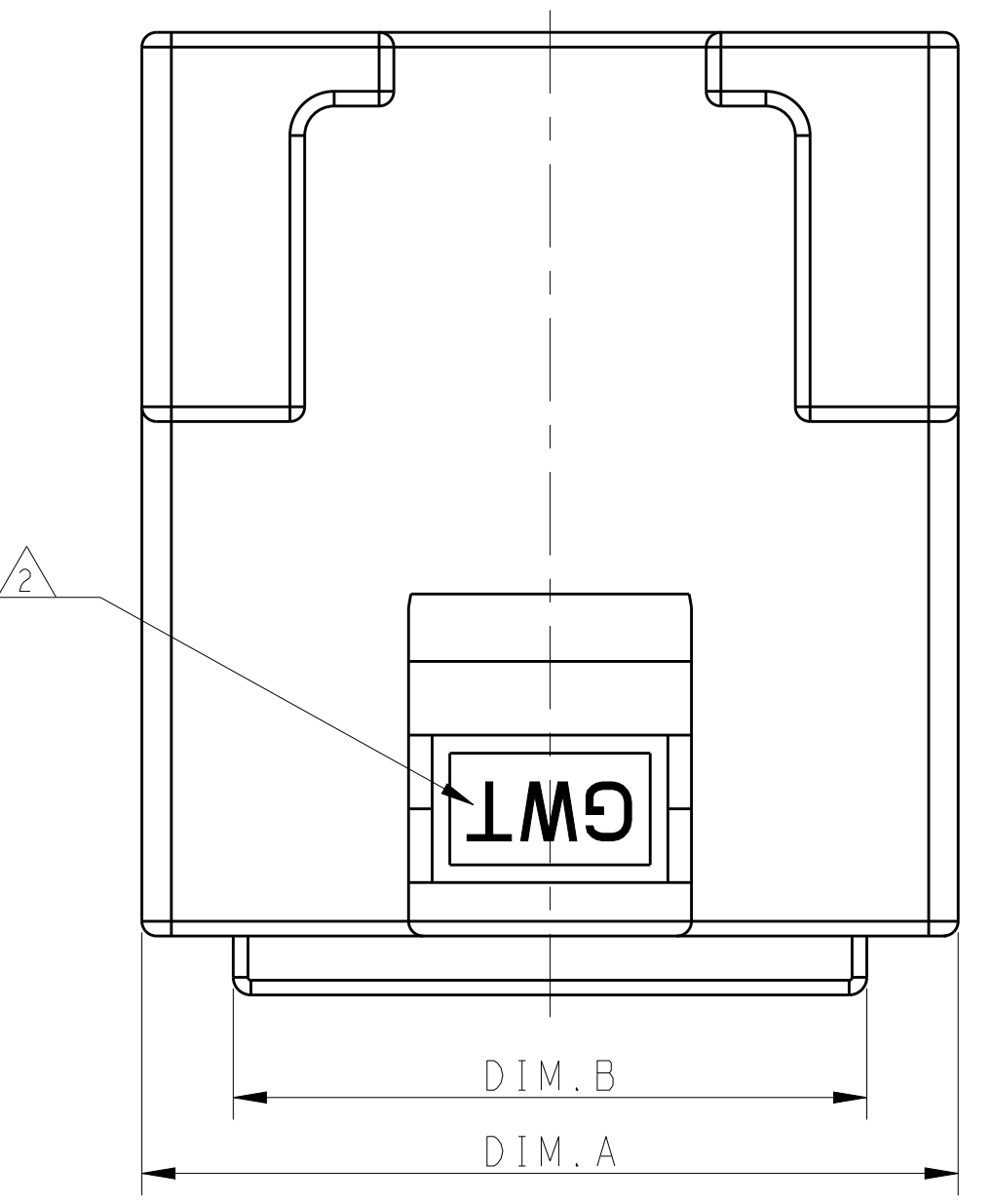
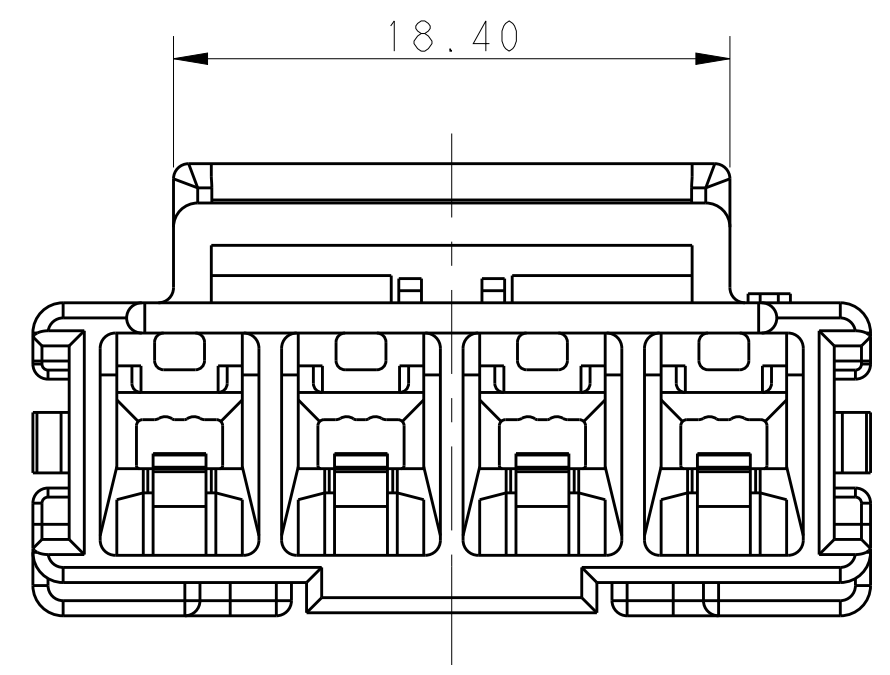
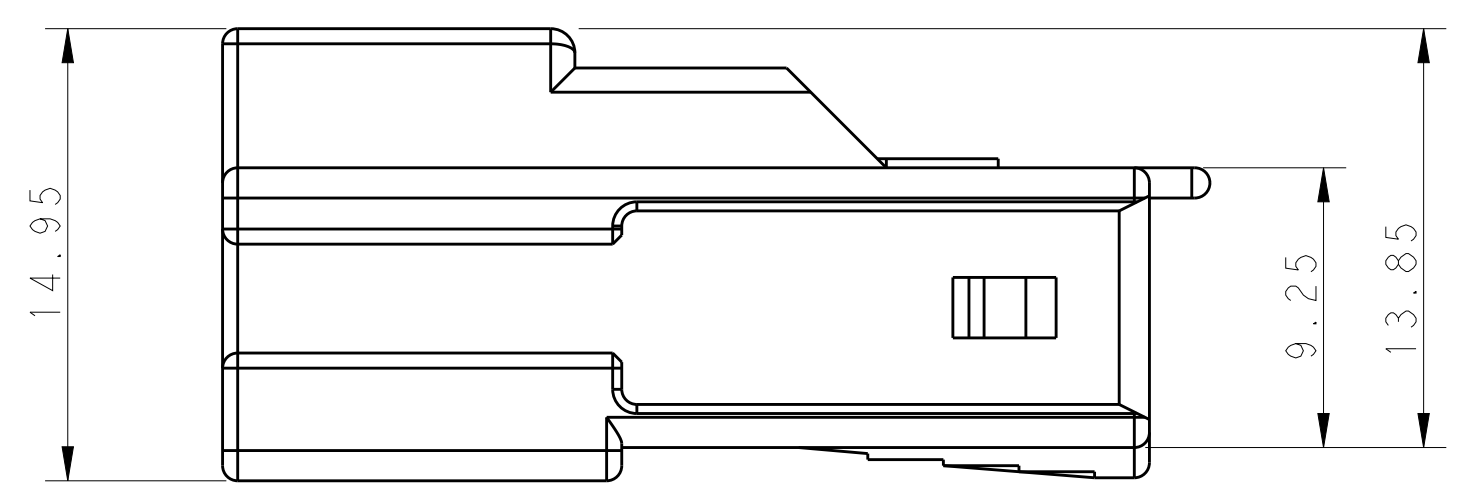
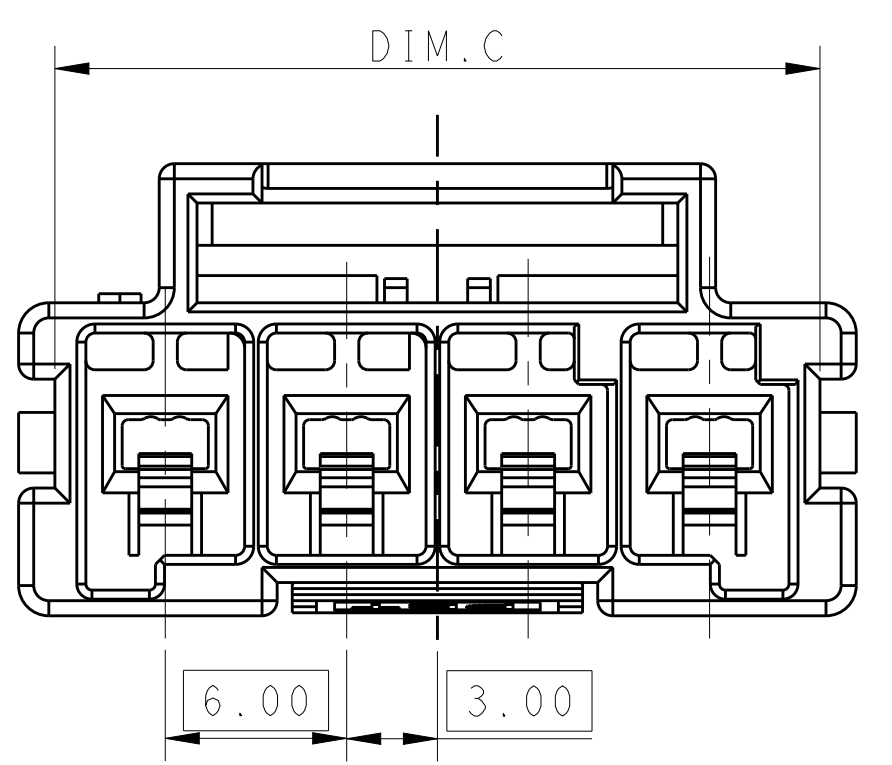


LOC		DIST		REVISIONS			
P	LTN	DESCRIPTION	DATE	DWN	APVD		
B		REVISED PER ECR-16-003314	18JUL2016	BW	GJ		
B1		REVISED PER ECR-18-002671	07NOV2018	BKW	GJ		



POS.	DIM.A	DIM.B	DIM.C
1*5	33.70	27.50	31.30
1*4	27.70	21.50	25.30
1*3	21.70	15.50	19.30
1*2	15.70	9.50	13.30



- MATERIAL:  
 LEVEL A: PA6 GLASS FILLED, COMPLY WITH GLOW WIRE REQUIREMENTS FOR PARTS OF NON-METALLIC MATERIAL SUPPORTING A CURRENT-CARRYING CONNECTION DETAILED IN IEC 60335-1, SECTION 30 (GWT), UL 94V-0  
 LEVEL B: PBT GLASS FILLED, HOT WIRE IGNITION (HWI) VERSION ARE MOLDED IN A RESIN THAT COMPLIES WITH TE HOT WIRE IGNITION TEST 109-32026 AND ARE RECOMMENDED FOR USE WITH HWI HOUSINGS THAT ALSO COMPLY, UL 94V-0

△ MATERIAL MARK:  
 LEVEL A: GWT, LEVEL B: HWT

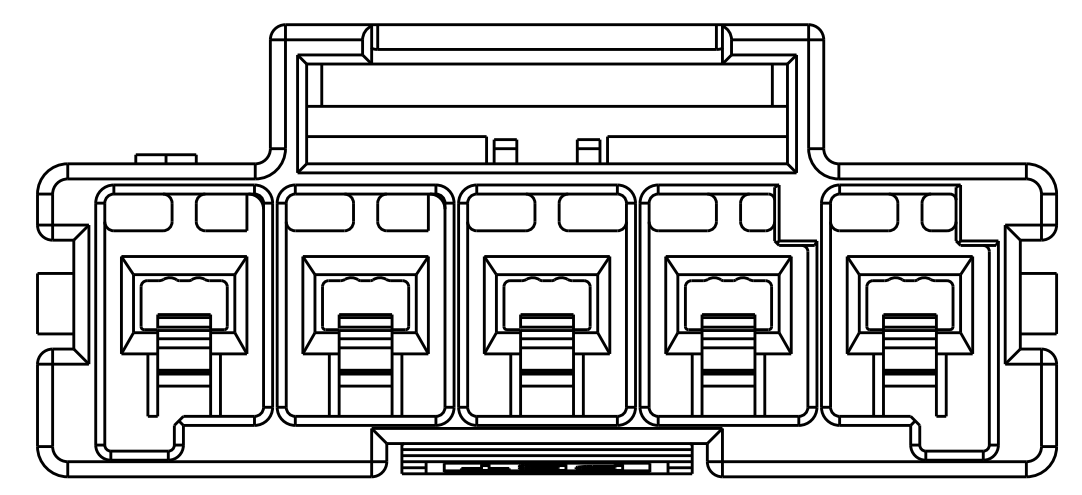
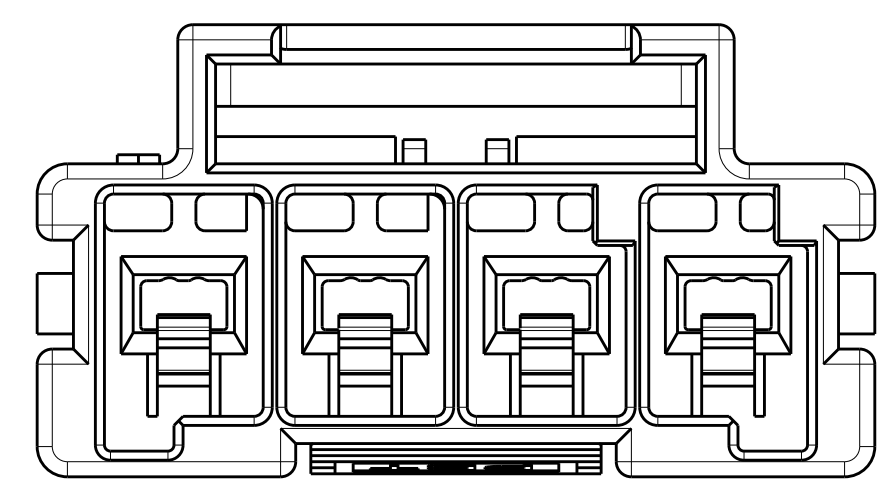
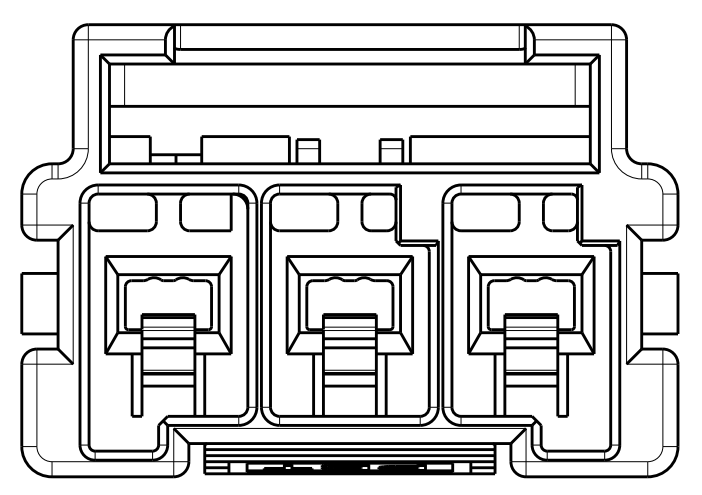
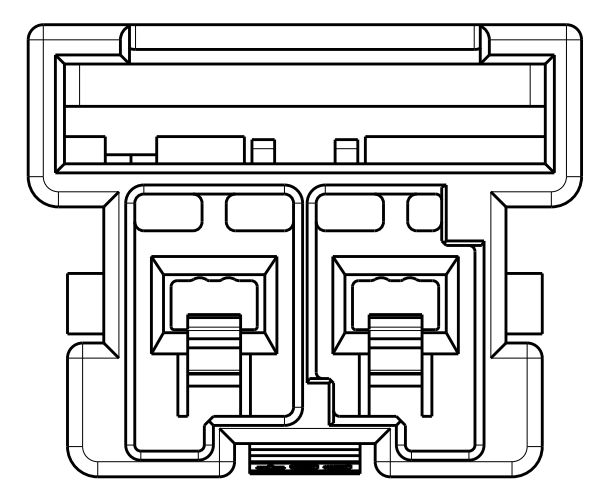
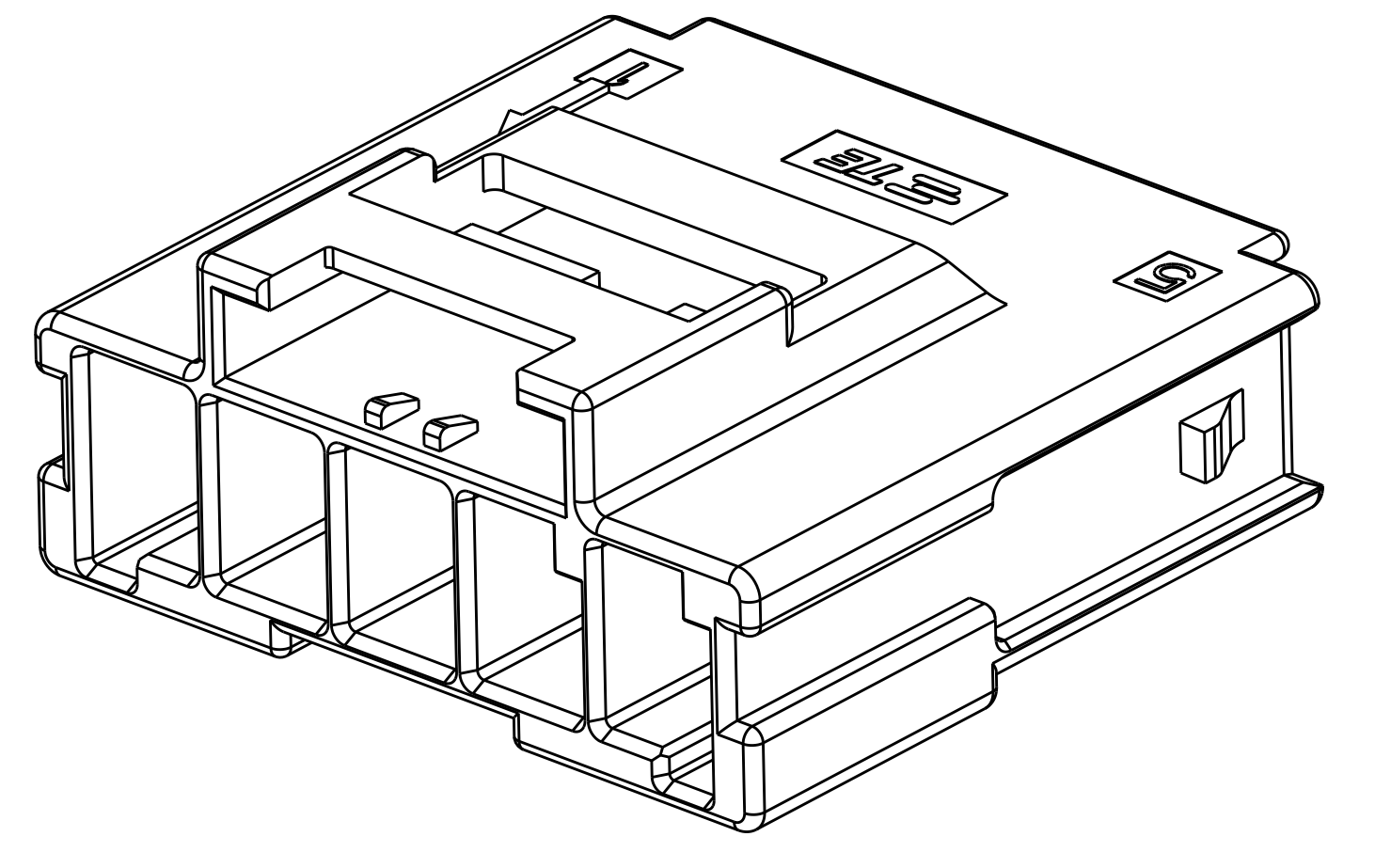
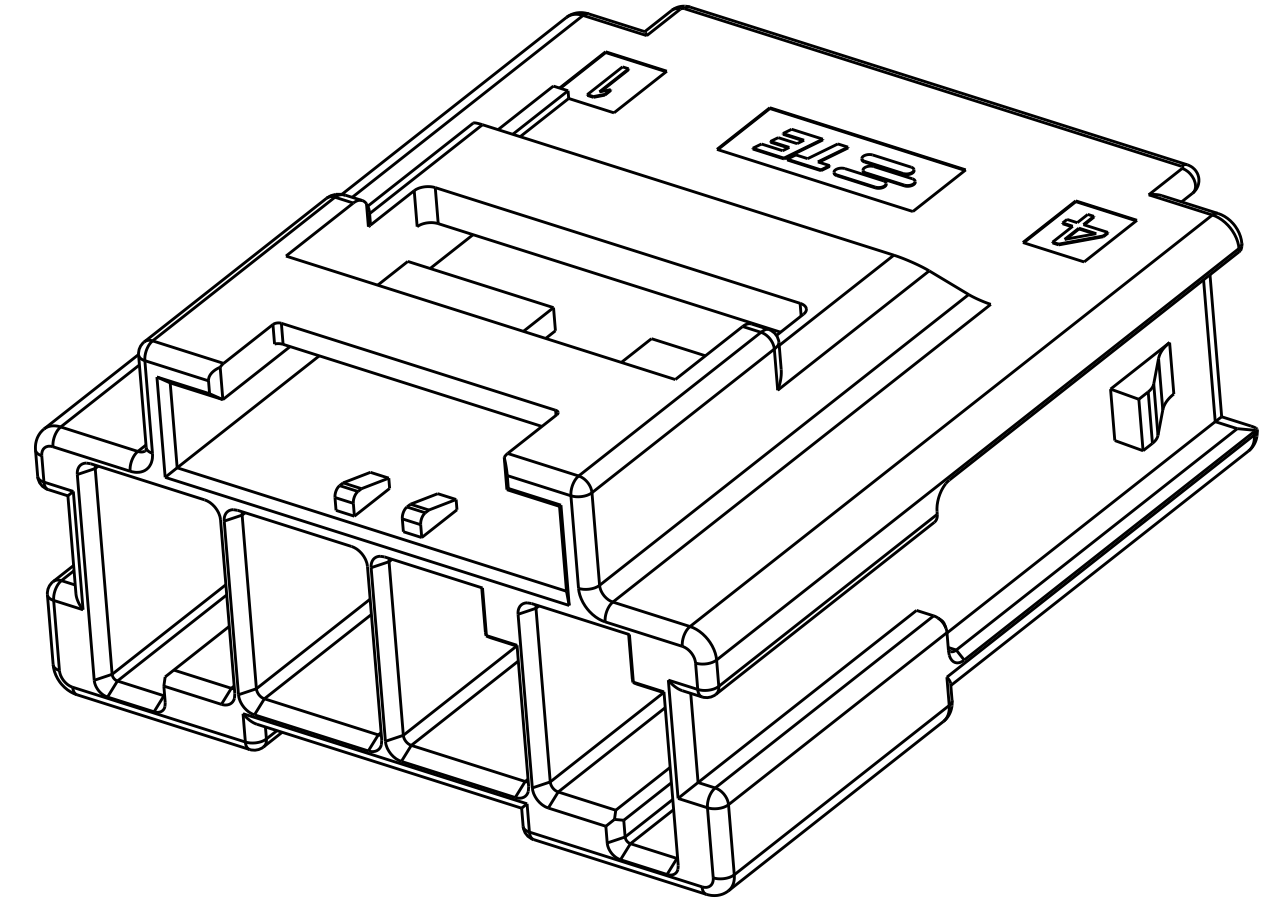
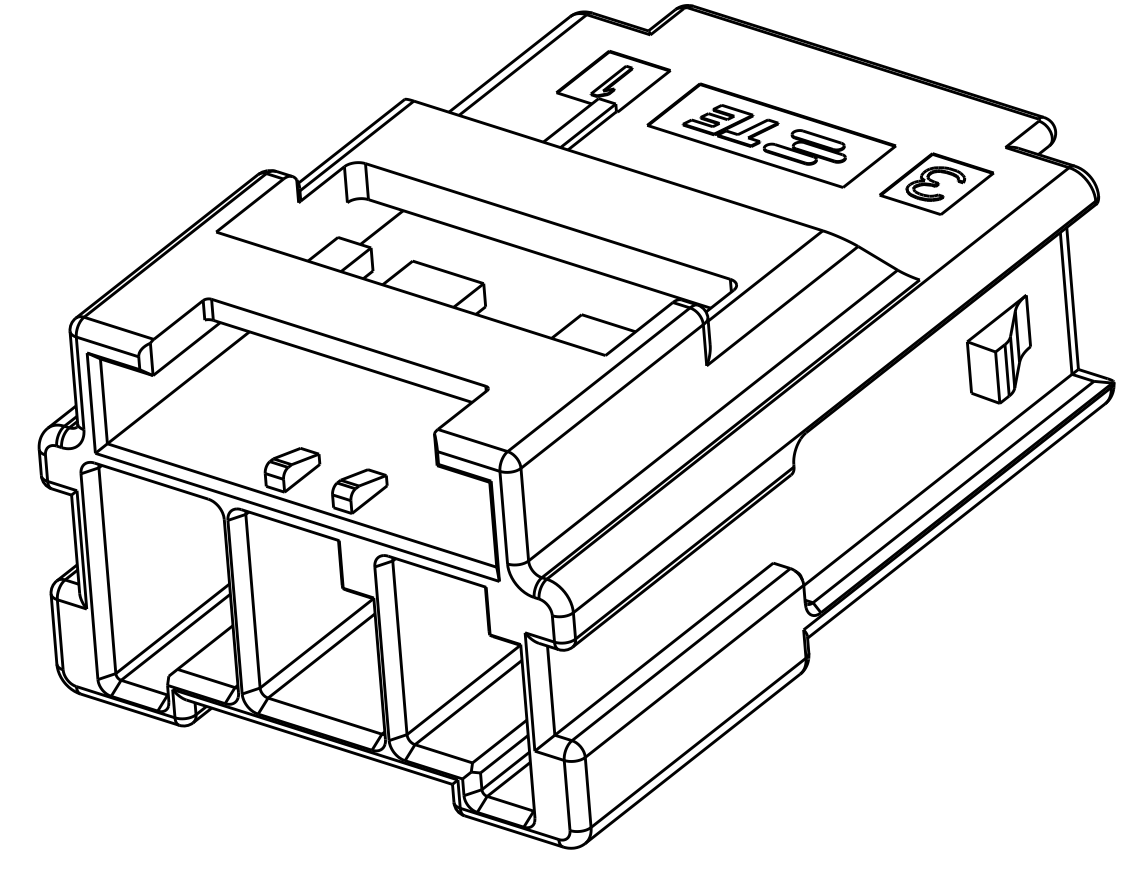
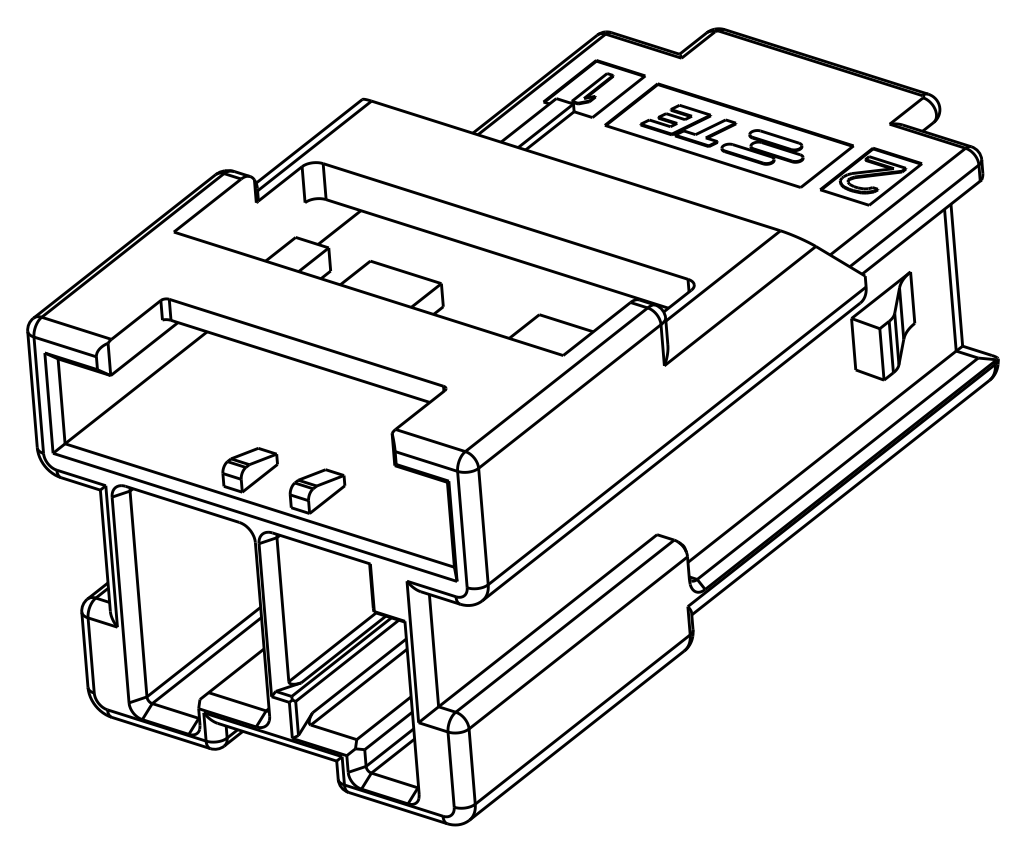
3. APPLICABLE CONTACT P/N  
 TAB CONTACT: 1971238/1971780/82/84/86/88-\*, 2238067-\*

4. MATING CONN, P/N  
 PLUG HSG: \*-2232265-  
 TPA (LOCK PLATE): \*-1971777-\*

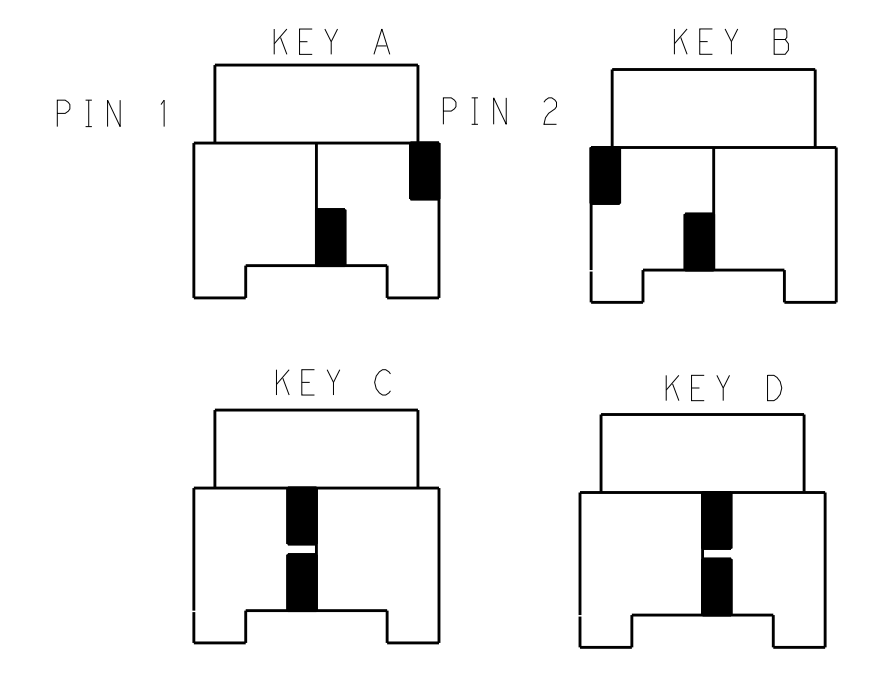
5. This product has not completed validation testing.

THIS DRAWING IS A CONTROLLED DOCUMENT.		DWN: TOMMY WU 26MAR2013	<b>STE</b> TE Connectivity
DIMENSIONS: mm		CHK: HAPYE WU 26MAR2013	
TOLERANCES UNLESS OTHERWISE SPECIFIED:		APVD: YUHONG MAO 26MAR2013	NAME: CAP HOUSING, FREE HANGING, SINGLE ROW POWER TRIPLE LOCK
0 PLC ±	1 PLC ±0.35	PRODUCT SPEC: 108-106118	SIZE: CAGE CODE DRAWING NO: A100779
2 PLC ±0.25	3 PLC ±	APPLICATION SPEC: 114-106118	RESTRICTED TO: -
4 PLC ±	ANGLES ±	WEIGHT: -	SCALE: - SHEET 1 OF 2 REV: B1
MATERIAL: -	FINISH: -	Customer Drawing	

LOC		DIST		REVISIONS			
				REV	DESCRIPTION	DATE	BY
-	-	-	-	-	SEE SHEET 1	-	-

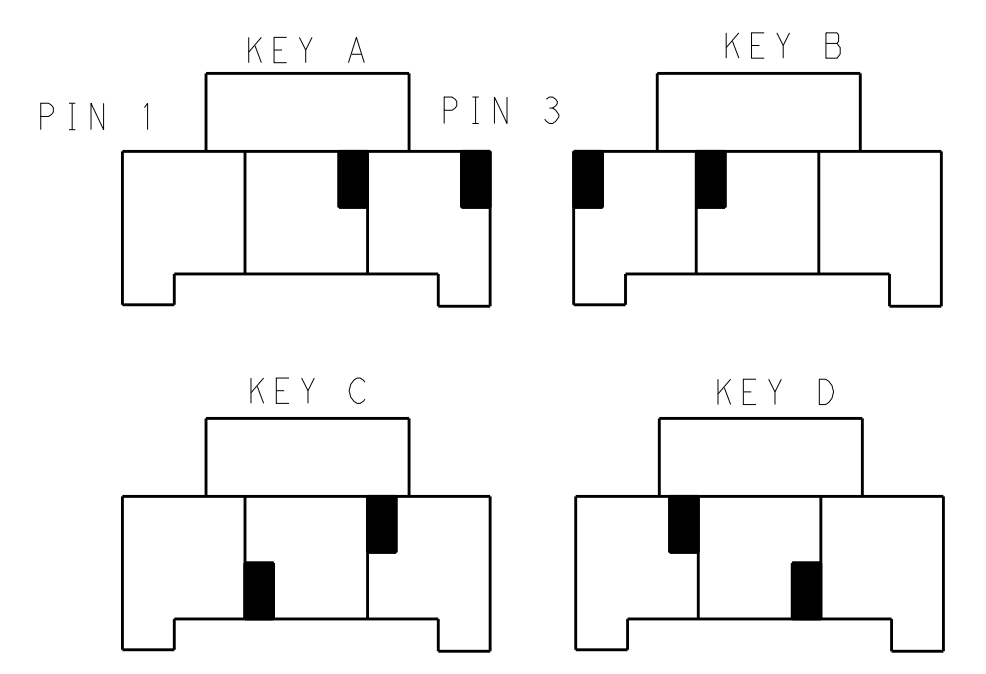


1\*2 POSITIONS



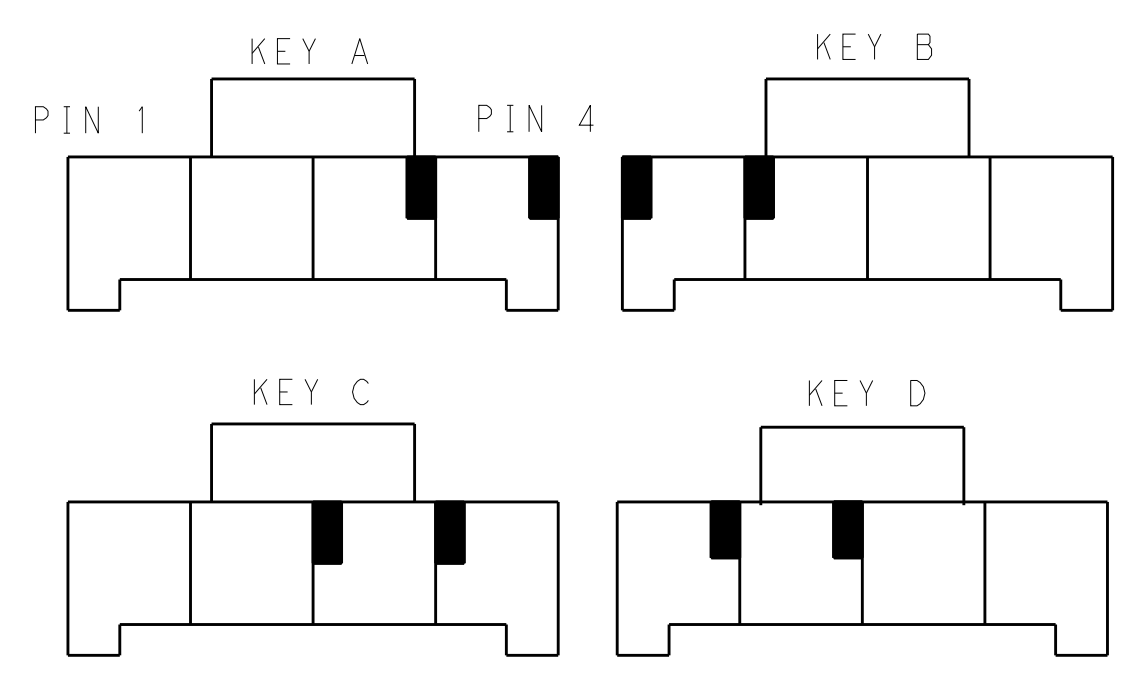
KEYING FOR 1\*2 POS.

1\*3 POSITIONS



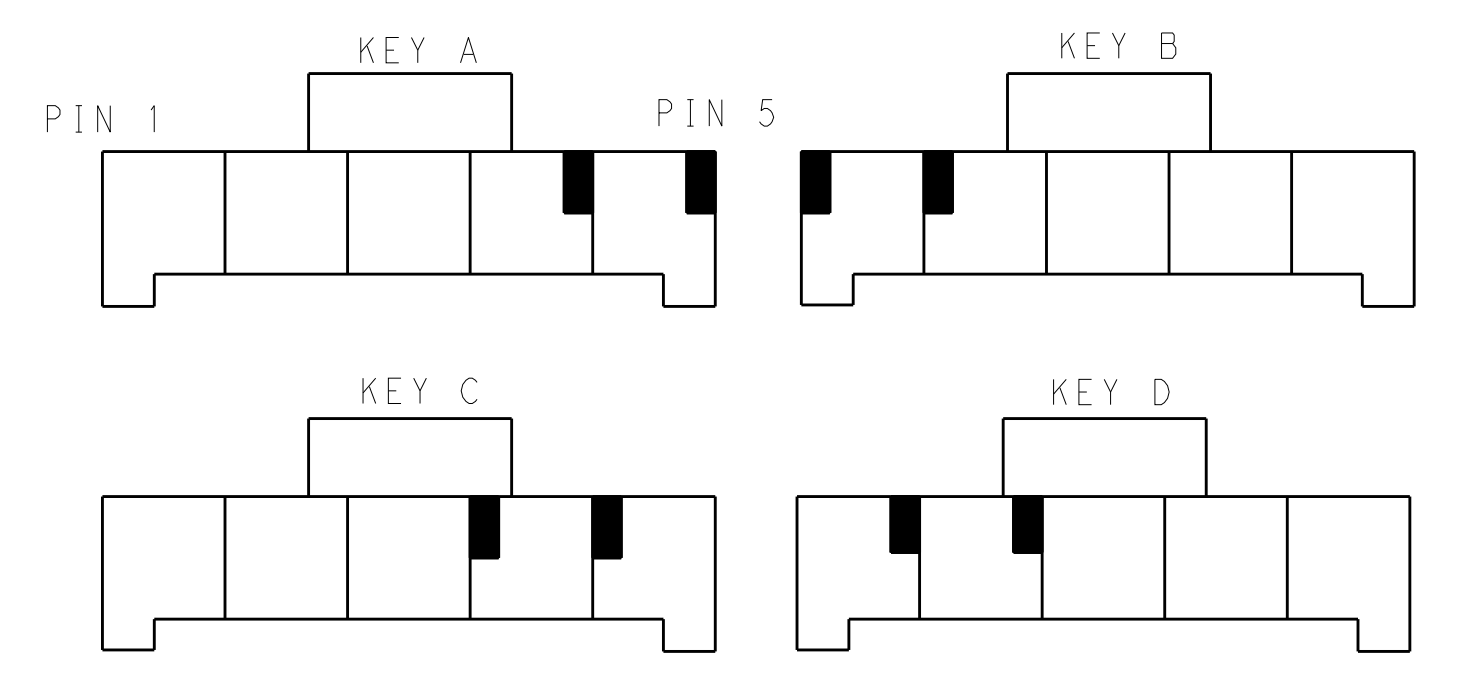
KEYING FOR 1\*3 POS.

1\*4 POSITIONS



KEYING FOR 1\*4 POS.

1\*5 POSITIONS



KEYING FOR 1\*5 POS.

POS.	MATERIAL	COLOR	KEY	P/N
1*5	LEVEL A	DARK GREY	KEY A	5-2232358-7
		BROWN	KEY B	6-2232358-7
		GREEN	KEY C	7-2232358-7
		ORANGE	KEY D	8-2232358-7
1*4	LEVEL A	DARK GREY	KEY A	5-2232358-4
		BROWN	KEY B	6-2232358-4
		GREEN	KEY C	7-2232358-4
		ORANGE	KEY D	8-2232358-4
1*4	LEVEL B	BLACK	KEY A	1-2232358-3
		DARK GREY	KEY A	5-2232358-3
		BROWN	KEY B	6-2232358-3
		GREEN	KEY C	7-2232358-3
1*3	LEVEL A	ORANGE	KEY D	8-2232358-3
		DARK GREY	KEY A	5-2232358-2
		BROWN	KEY B	6-2232358-2
		GREEN	KEY C	7-2232358-2
1*2	LEVEL A	ORANGE	KEY D	8-2232358-2

**SUPERSEDED BY POWER TRIPLE LOCK  
 PANEL MOUNT CAPS X-2232263-X**

THIS DRAWING IS A CONTROLLED DOCUMENT.		DWN TOMMY_WU 26MAR2013 CHK HAPYE_WU 26MAR2013 APVD YIHONG_MAO 26MAR2013	TE Connectivity
DIMENSIONS: mm 	TOLERANCES UNLESS OTHERWISE SPECIFIED: 0 PLC ± 1 PLC ±0.35 2 PLC ±0.25 3 PLC ± 4 PLC ± ANGLES ±	NAME CAP HOUSING, FREE HANGING, SINGLE ROW POWER TRIPLE LOCK PRODUCT SPEC 108-106118 APPLICATION SPEC 114-106118	
MATERIAL	FINISH	SIZE A100779 CAGE CODE C=2232358 DRAWING NO. 2232358 WEIGHT Customer Drawing	RESTRICTED TO SCALE - SHEET 2 OF 2 REV BI

## X-ON Electronics

Largest Supplier of Electrical and Electronic Components

*Click to view similar products for [Headers & Wire Housings](#) category:*

*Click to view products by [TE Connectivity](#) manufacturer:*

Other Similar products are found below :

[892-18-020-10-001101](#) [58102-G61-06LF](#) [582553-1](#) [0009485154](#) [009176003701906](#) [0050291907](#) [LY20-4P-DT1-P1E-BR](#) [02.125.8002.8](#)  
[609-3404](#) [61062-3](#) [61082-181009](#) [622-3653LF](#) [63453-116](#) [636-1030](#) [636-1427](#) [636-3427](#) [636-4007](#) [641938-9](#) [641991-4](#) [644827-2](#) [65817-](#)  
[010LF](#) [65817-015LF](#) [65863-015LF](#) [66207-023LF](#) [67095-007LF](#) [67601157](#) [68645-018](#) [68648-049](#) [70.362.1628.0](#) [70-4210](#) [70-4226B](#) [70-](#)  
[4853B](#) [707-5020](#) [707-5028](#) [71.350.2428.0](#) [71918-208LF](#) [71961-016LF](#) [733-134](#) [733-162](#) [754199-000](#) [760-3052](#) [787-8014-00](#) [79531-3000](#)  
[FCN-360C032-B](#) [FCN-367T-T012/H](#) [FCN-723D010/2](#) [80.063.4001.1](#) [800-90-001-10-001000](#) [800-90-010-10-002000](#) [801-43-002-10-013000](#)