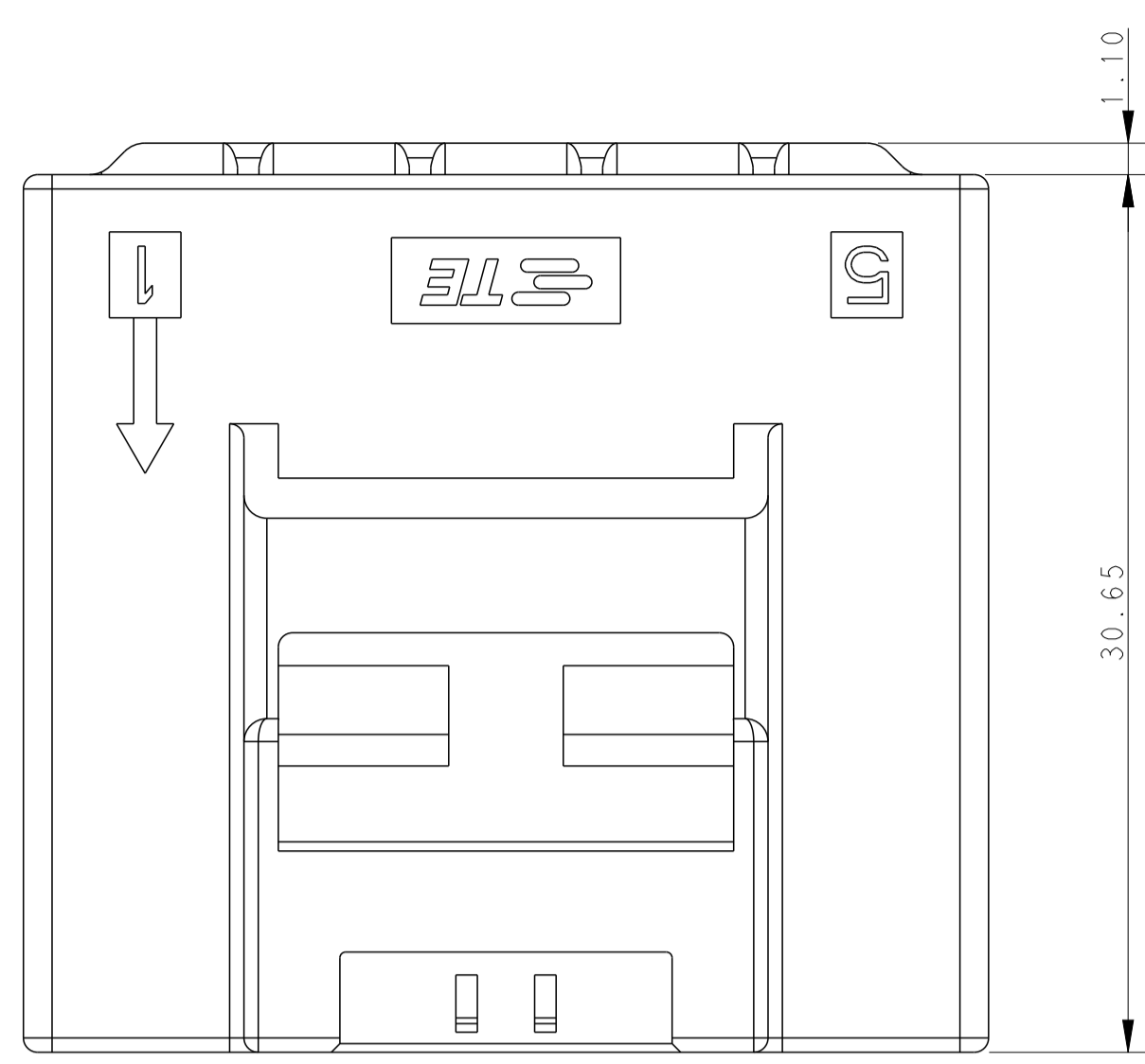
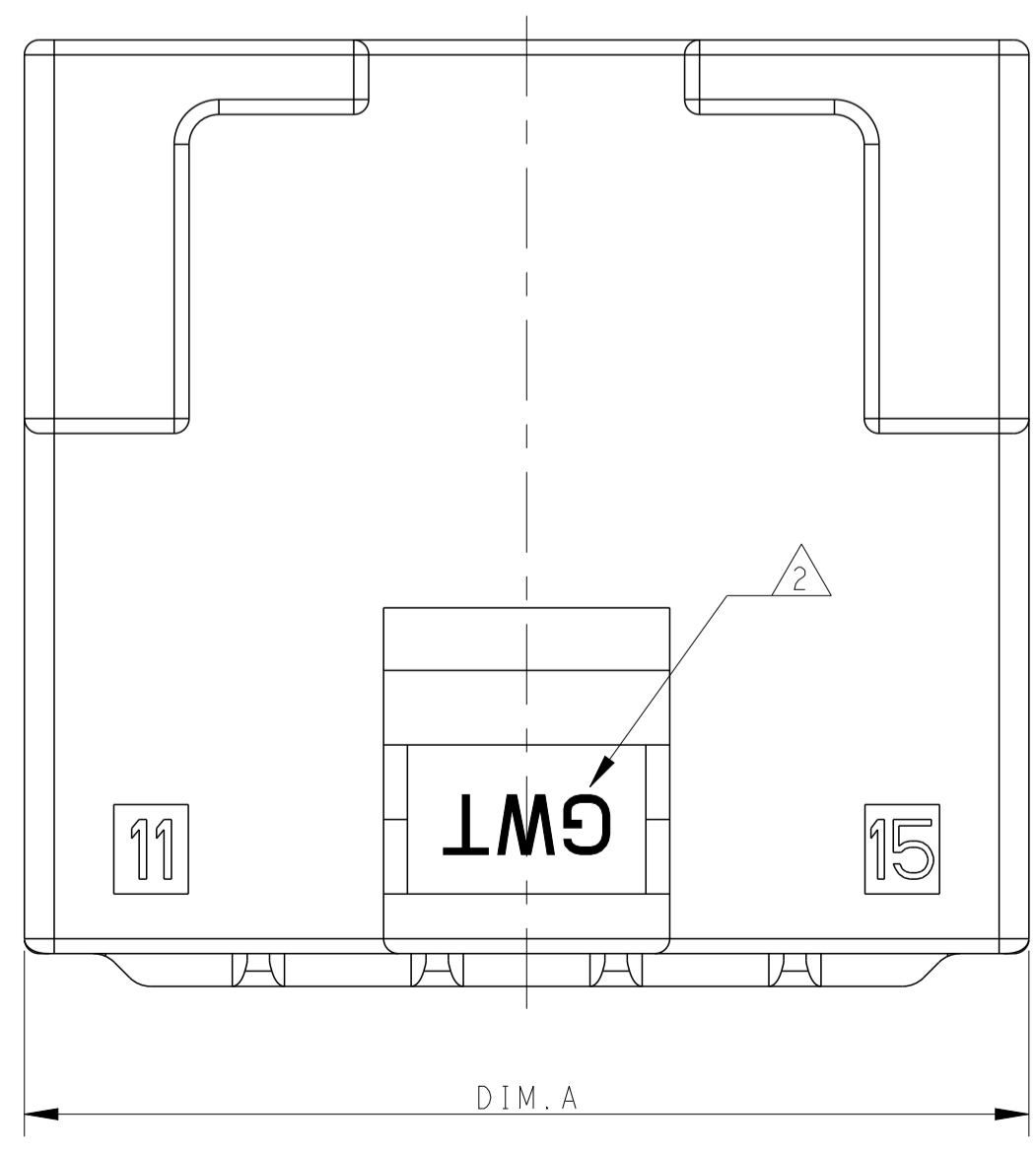
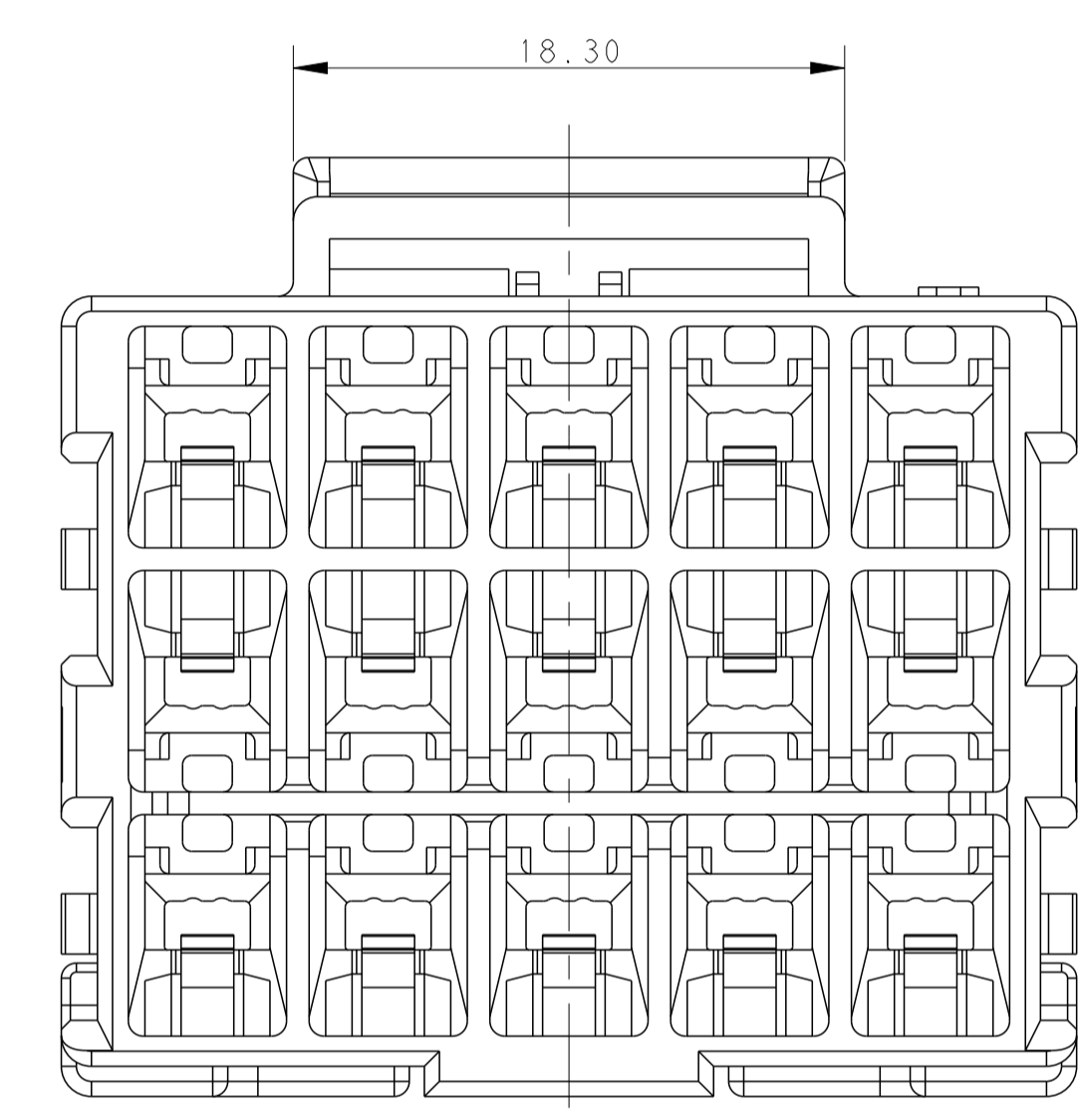
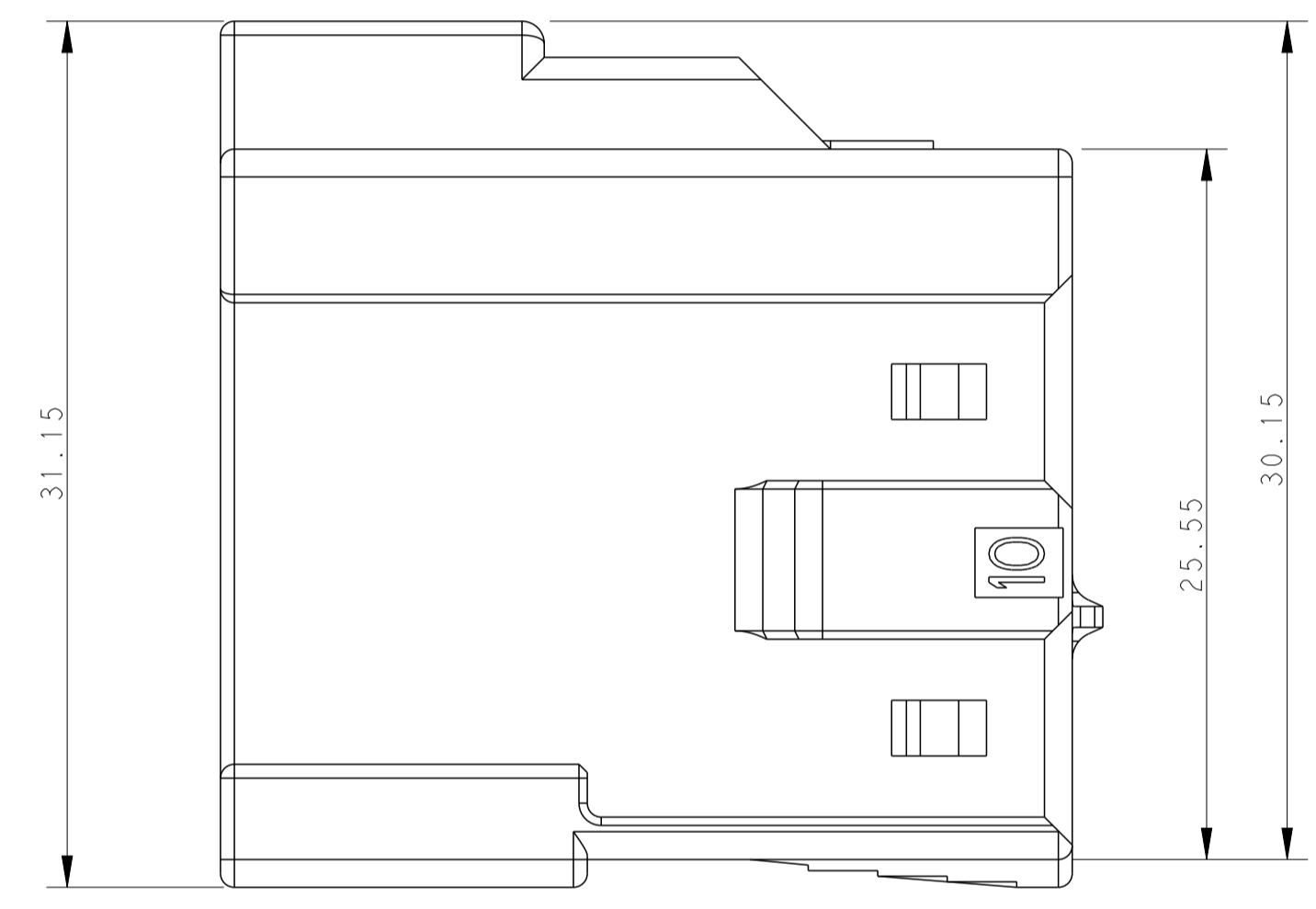
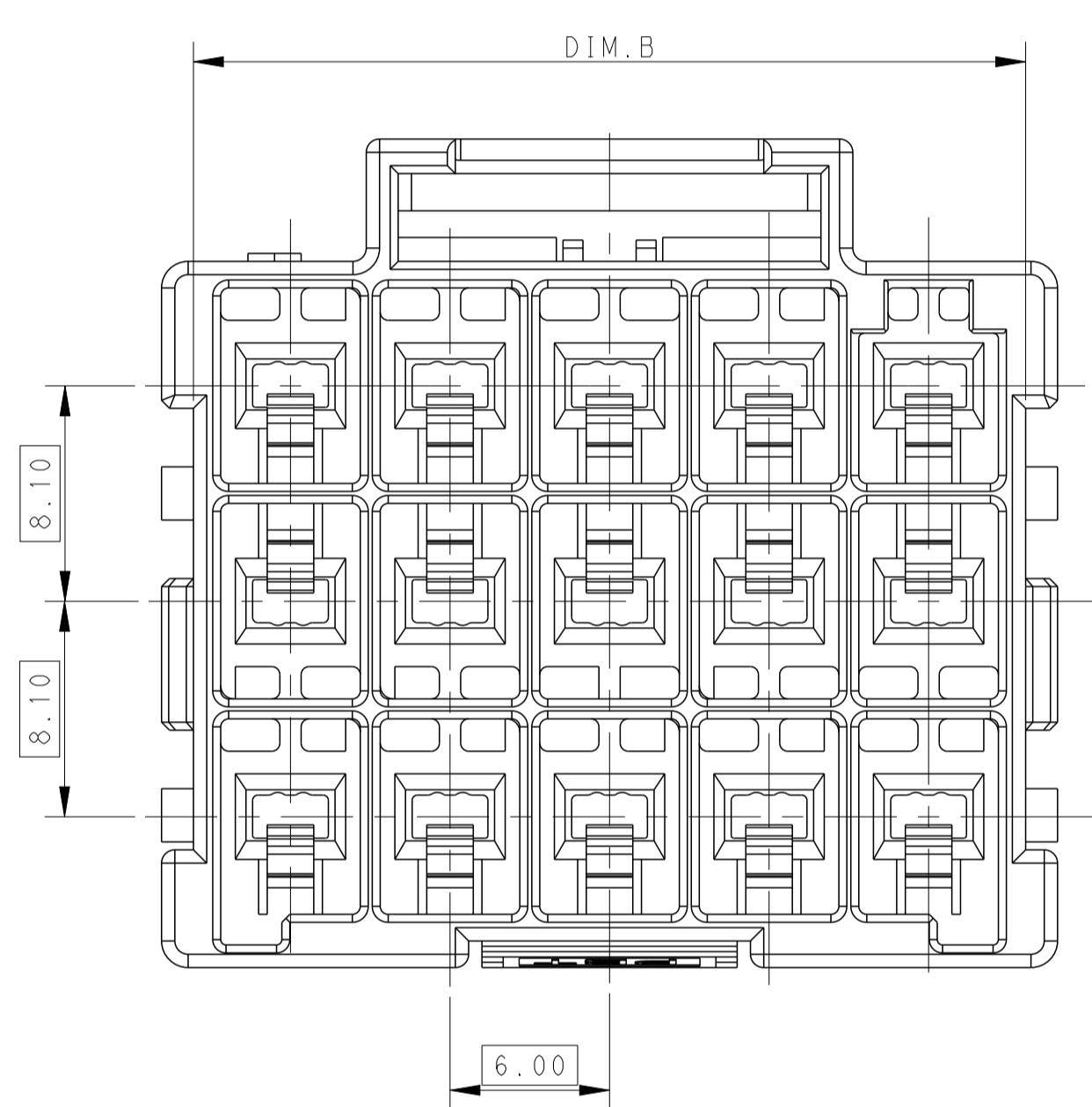


REVISIONS				
P.	LTN	DESCRIPTION	DATE	APVD
B		REVISED PER ECR-16-003314	18JUL2016	BW GJ



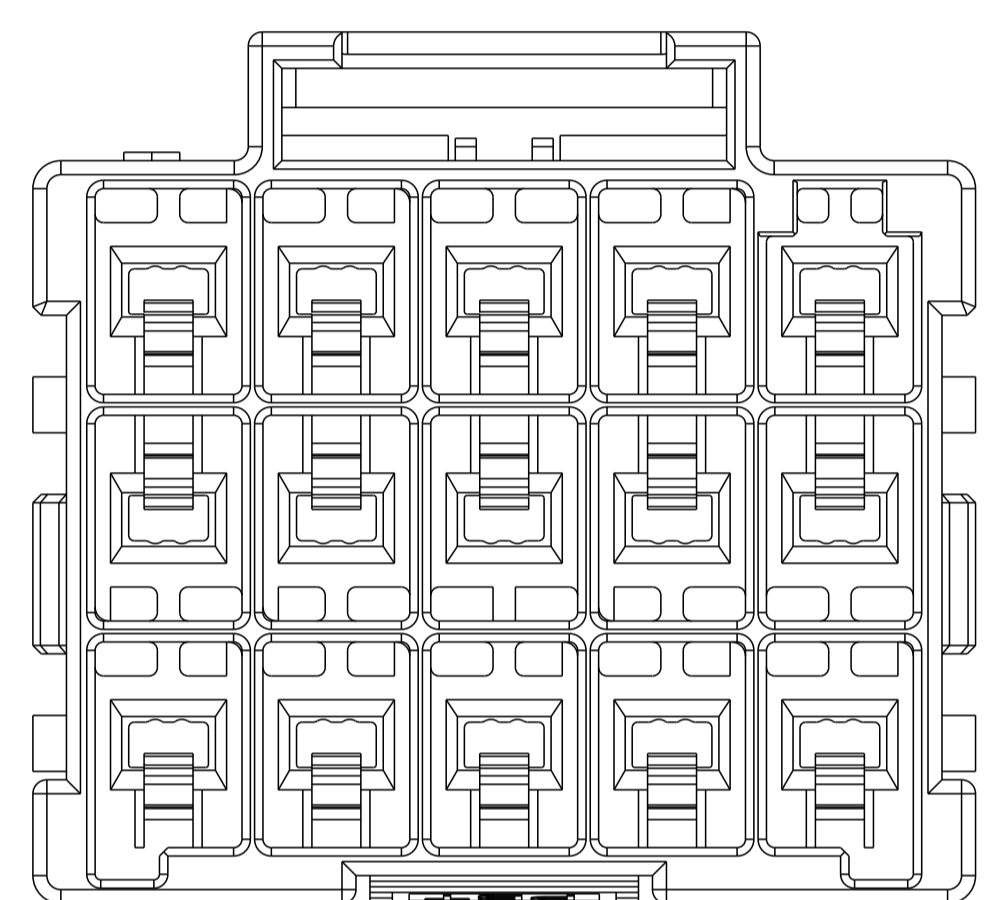
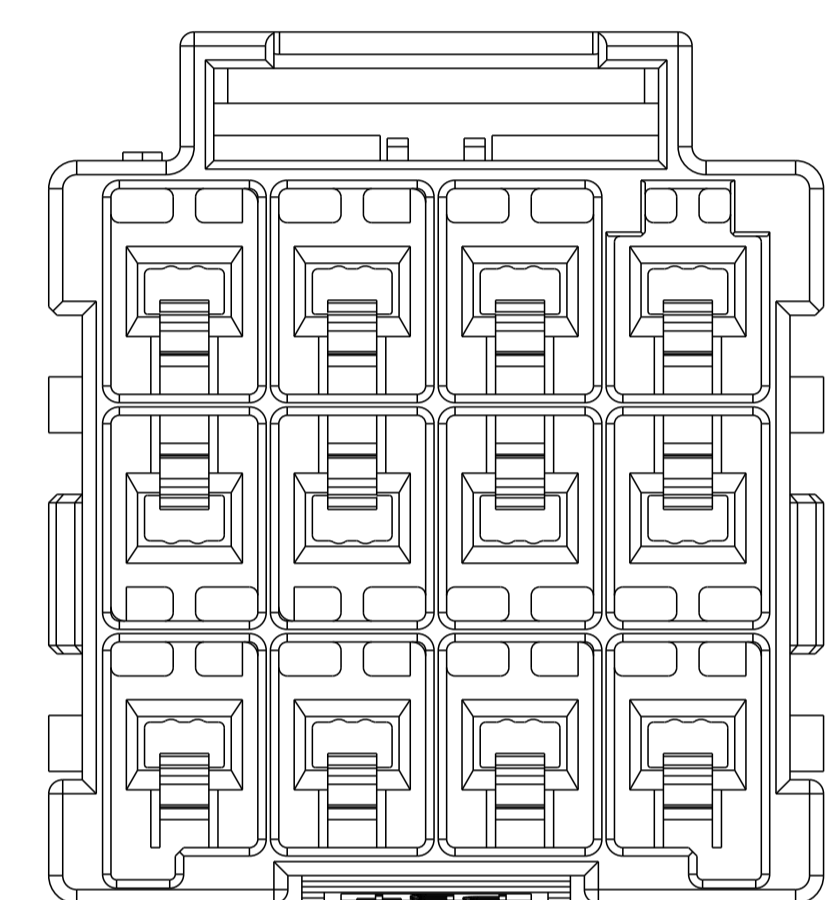
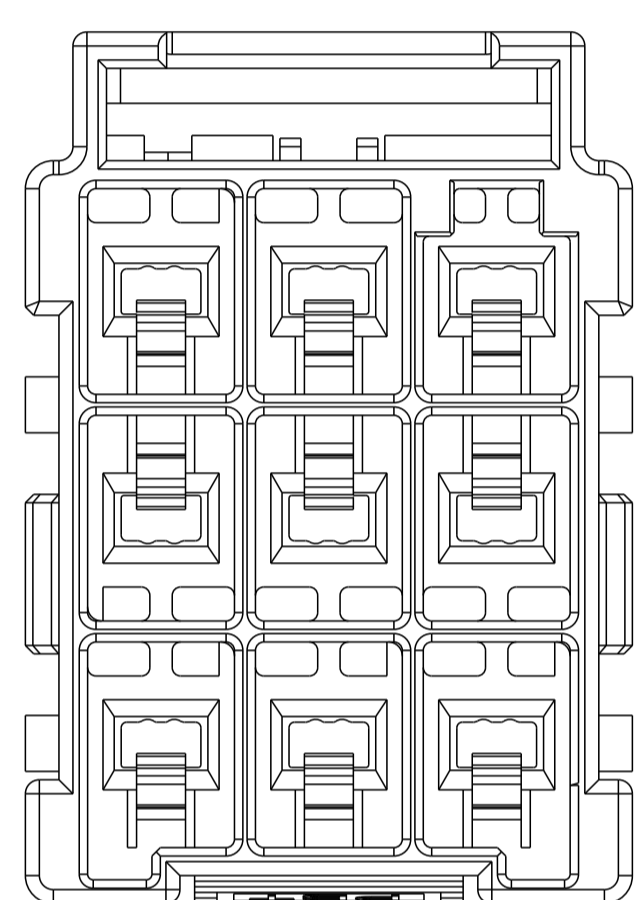
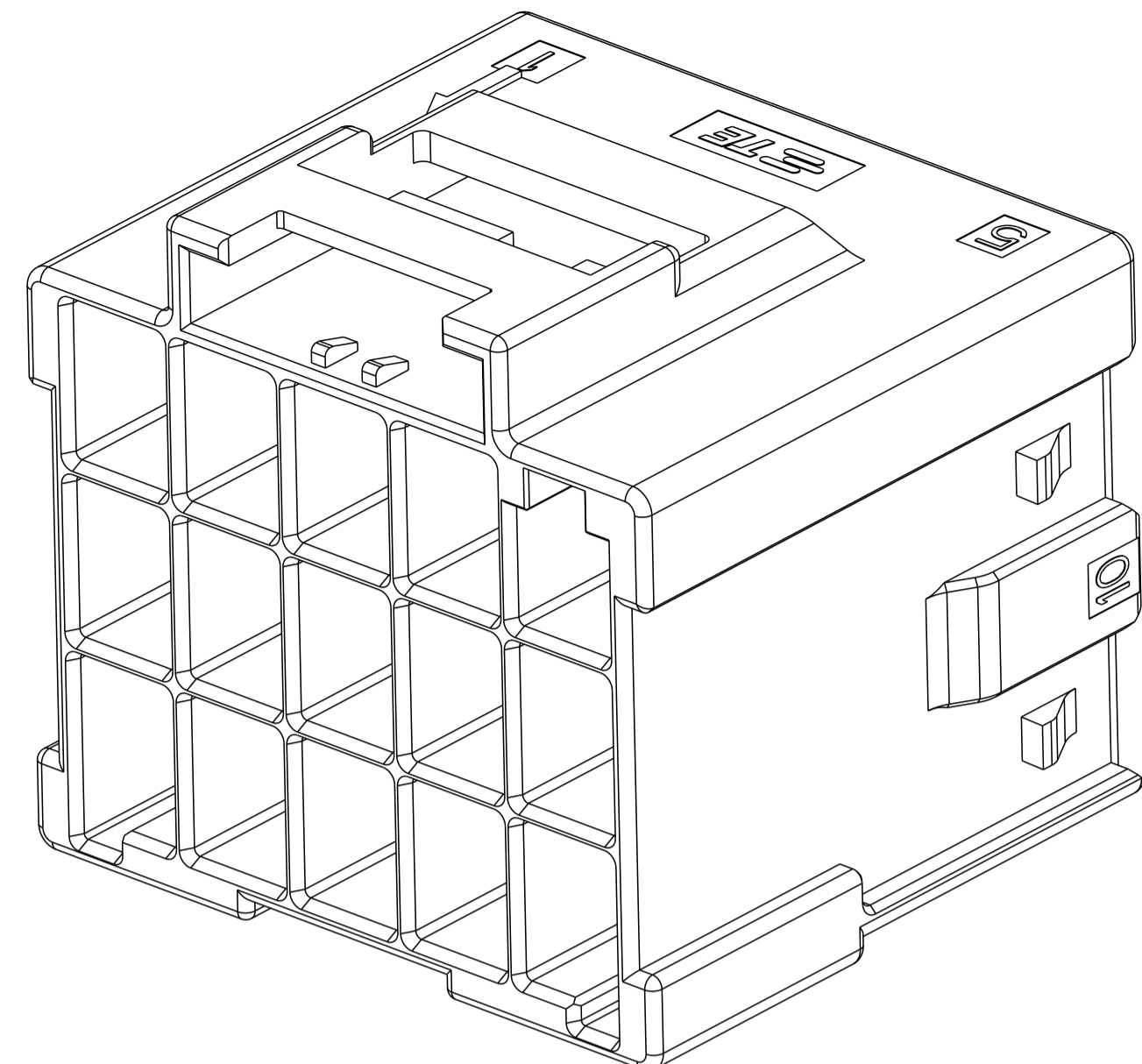
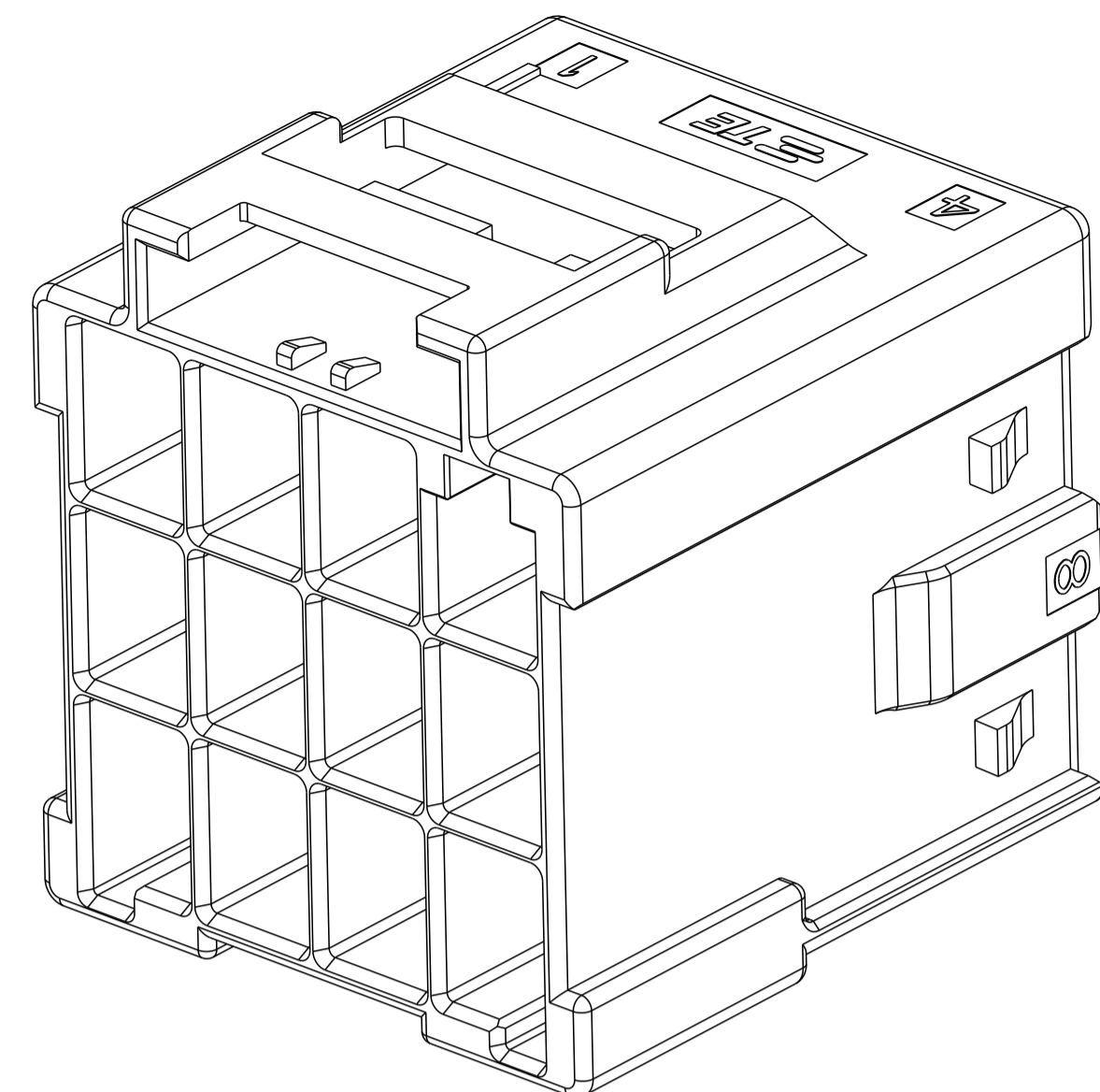
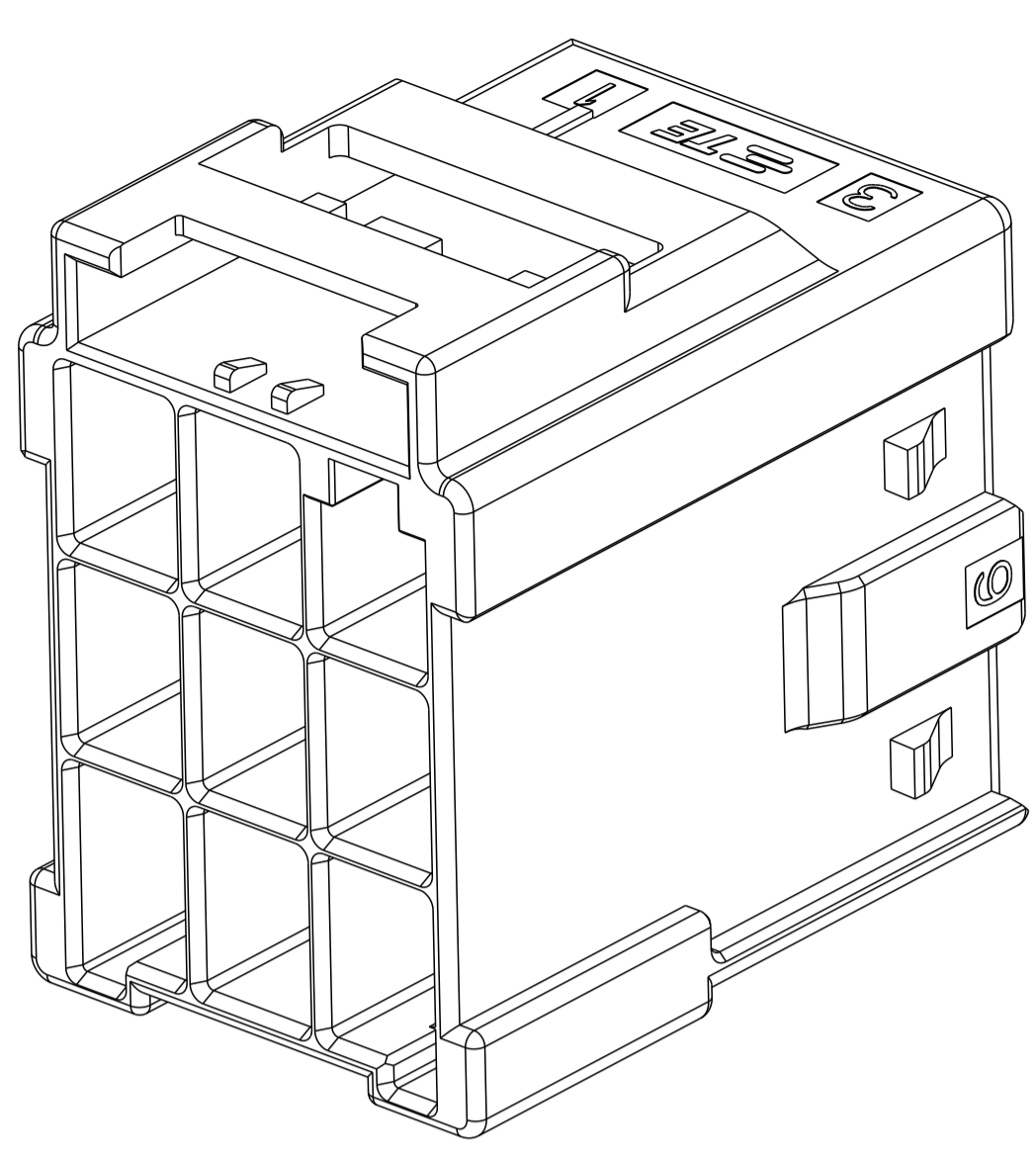
POS.	DIM. A	DIM. B
3*5	33.70	31.30
3*4	27.70	25.30
3*3	21.70	19.30



- MATERIAL:
 LEVEL A: PA6 GLASS FILLED, COMPLY WITH GLOW WIRE REQUIREMENTS FOR PARTS OF NON-METALLIC MATERIAL SUPPORTING A CURRENT-CARRYING CONNECTION DETAILED IN IEC 60335-1, SECTION 30 (GWT), UL 94V-0
 LEVEL B: PBT GLASS FILLED, HOT WIRE IGNITION (HWI) VERSION ARE MOLDED IN A RESIN THAT COMPLIES WITH TE HOT WIRE IGNITION TEST 109-32026 AND ARE RECOMMENDED FOR USE WITH HWI HOUSINGS THAT ALSO COMPLY, UL 94V-0.
- MATERIAL MARK:
 LEVEL A: GWT, LEVEL B: HWT.
- APPLICABLE CONTACT P/N
 TAB CONTACT: 1971238/1971780/82/84/86/88-*
- MATING CONN. P/N
 PLUG HSG: *-2232357-*, TPA DOUBLE ROW: *-1971778-*, TPA SINGLE ROW: *-1971777-*,
- THIS PRODUCT HAS NOT COMPLETED VALIDATION TESTING.

THIS DRAWING IS A CONTROLLED DOCUMENT.		OWN: TOMMY WU 26MAR2013	TE Connectivity
DIMENSIONS: mm		CHK: HAPYE WU 26MAR2013	
TOLERANCES UNLESS OTHERWISE SPECIFIED:		APVD: YUHONG MAO 26MAR2013	NAME: CAP HOUSING, FREE HANGING, TRIPLE ROW POWER TRIPLE LOCK -
0 PLC ±0.35		PRODUCT SPEC: 108-106118	
1 PLC ±0.25		APPLICATION SPEC: 114-106118	SIZE: A100779 C=2232360 WEIGHT: - Customer Drawing
2 PLC ±0.25		RESTRICTED TO: -	
3 PLC ±0.25		SCALE: -	SHEET 1 OF 2 REV B
4 PLC ±0.25			
ANGLES ±0.5			
FINISH: -			

REVISIONS				
P.	LTN.	DESCRIPTION	DATE	APVD.
-	-	SEE SHEET 1	-	-

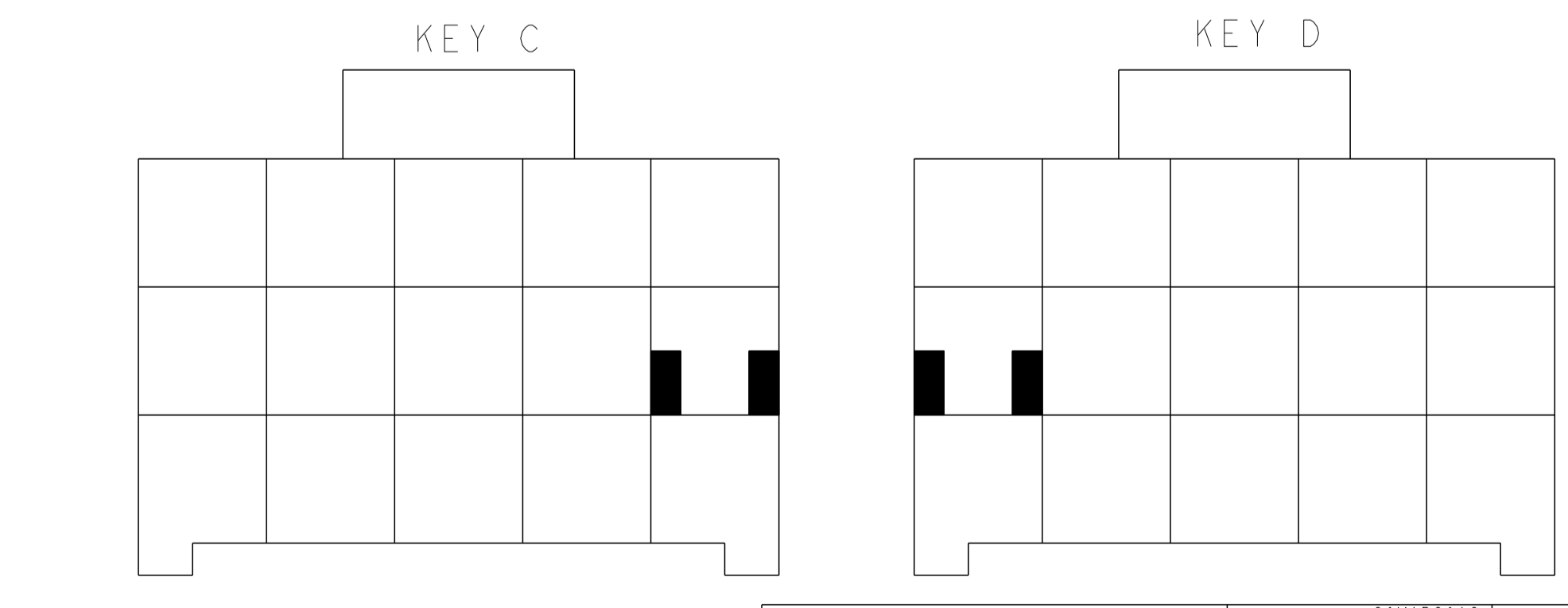
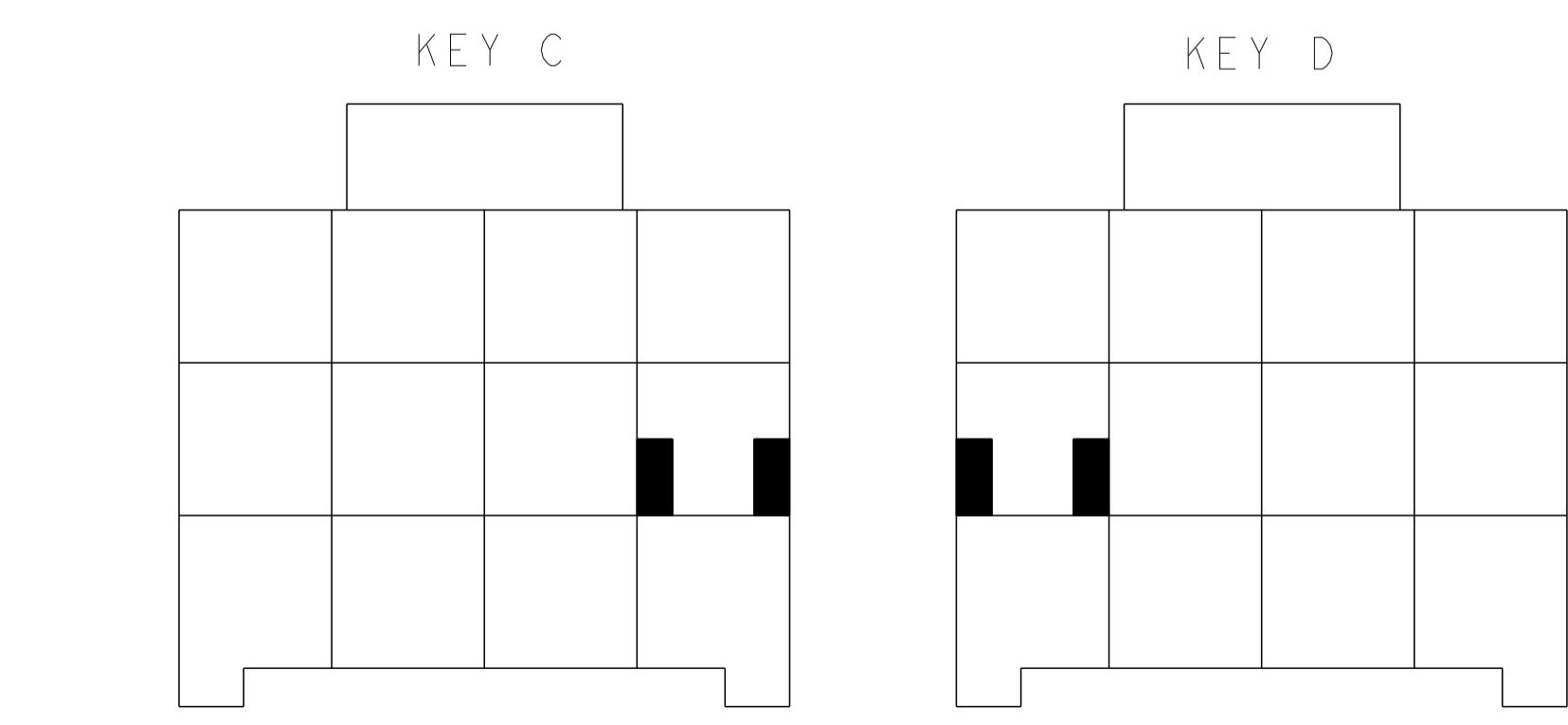
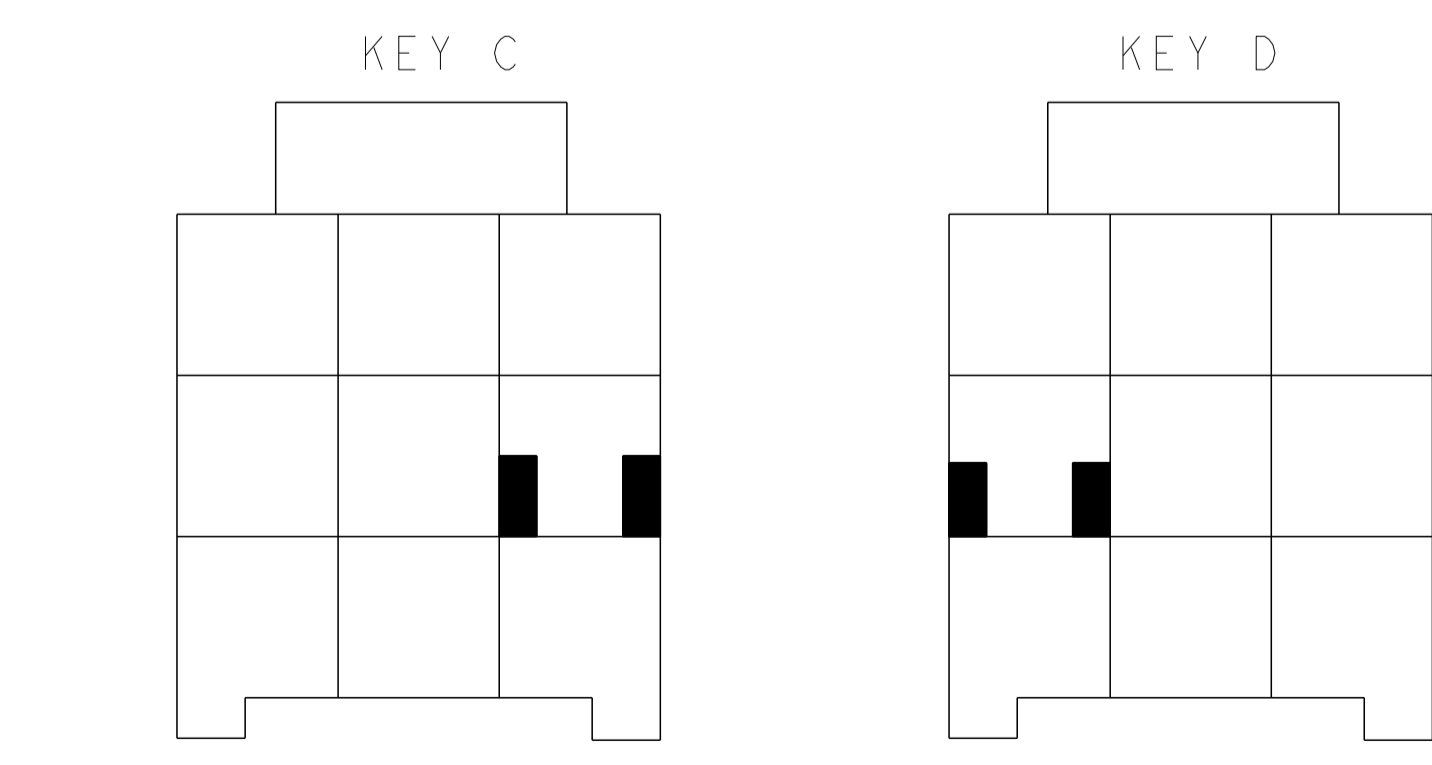
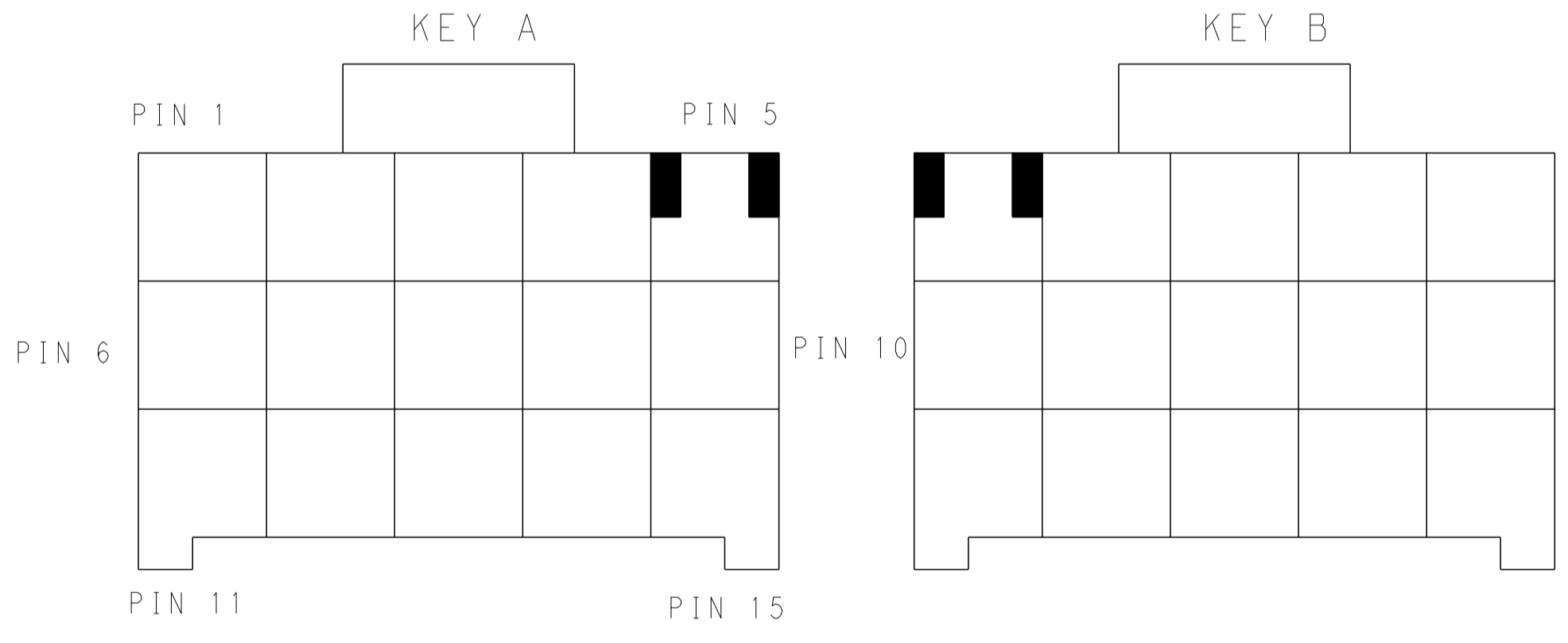
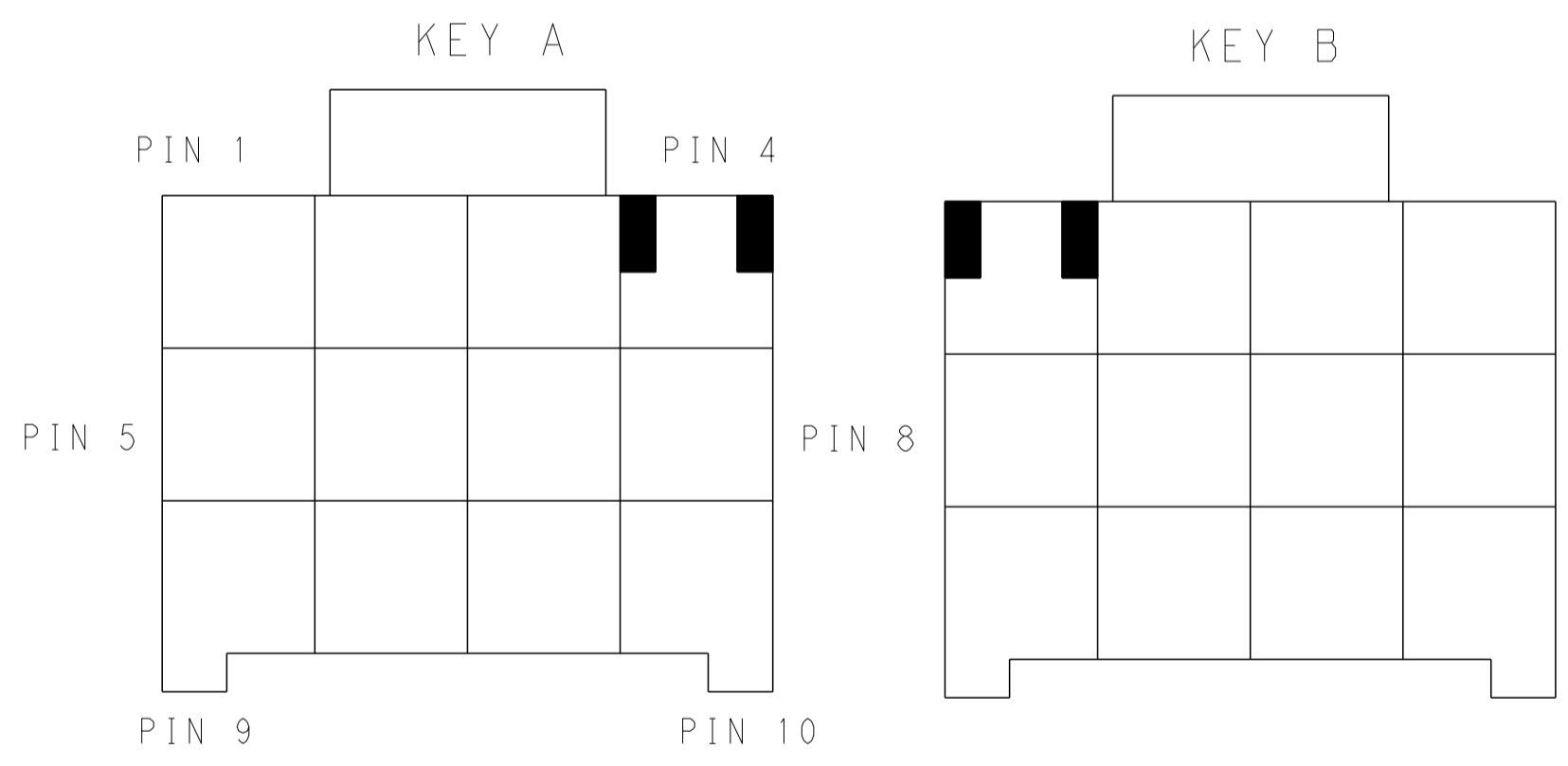
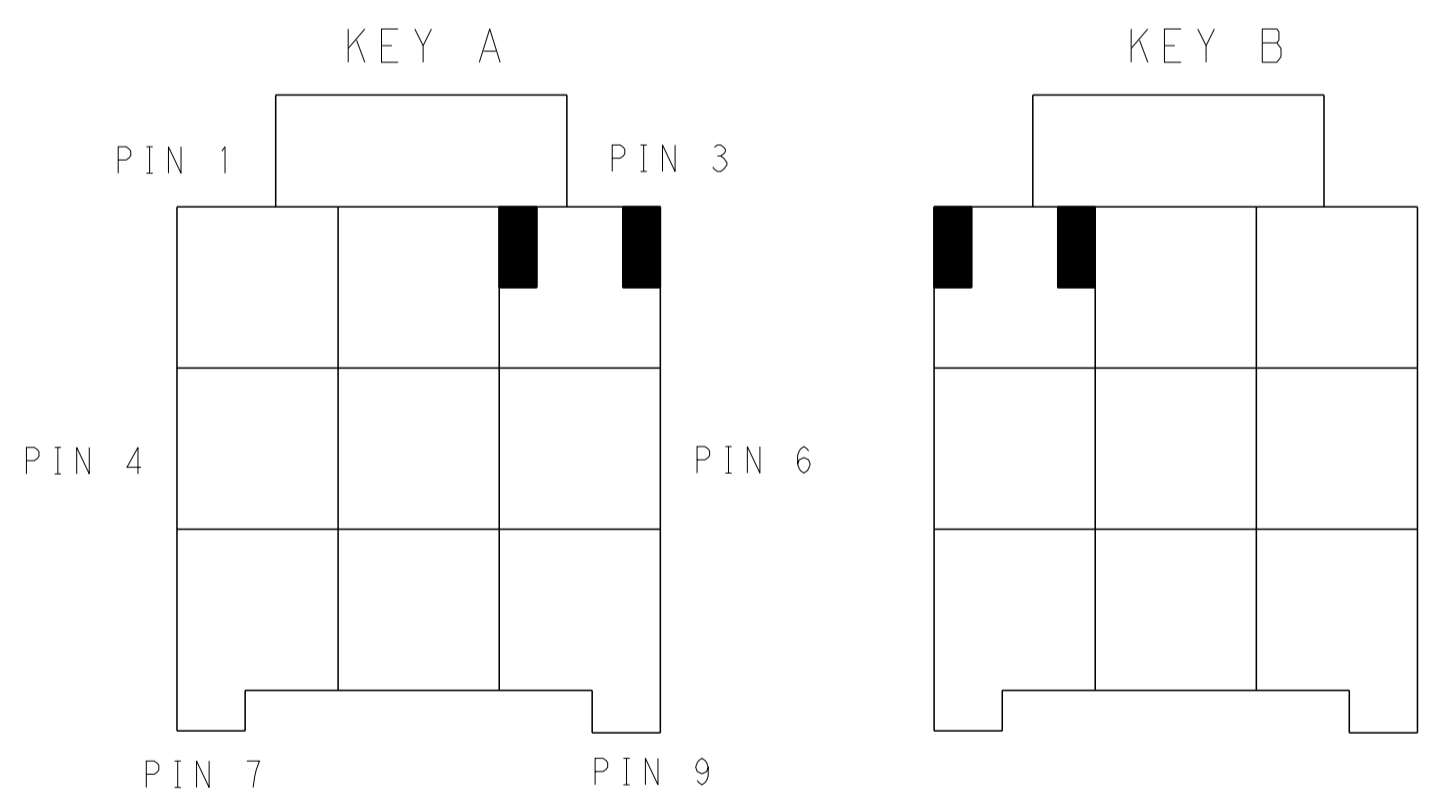


3*5	LEVEL A	DARK GREY	KEY A	5-2232360-7
		BROWN	KEY B	6-2232360-7
		GREEN	KEY C	7-2232360-7
		ORANGE	KEY D	8-2232360-7
3*4	LEVEL A	BLACK	KEY A	1-2232360-5
		DARK GREY	KEY A	5-2232360-4
		BROWN	KEY B	6-2232360-4
		GREEN	KEY C	7-2232360-4
3*3	LEVEL A	ORANGE	KEY D	8-2232360-4
		BLACK	KEY A	1-2232360-4
		DARK GREY	KEY A	5-2232360-3
		BROWN	KEY B	6-2232360-3
POS.	MATERIAL	COLOR	KEY	P/N

3*3 POSITIONS

3*4 POSITIONS

3*5 POSITIONS



KEYING FOR 3*3 POS.

KEYING FOR 3*4 POS.

KEYING FOR 3*5 POS.

THIS DRAWING IS A CONTROLLED DOCUMENT.

DIMENSIONS:	TOLERANCES UNLESS OTHERWISE SPECIFIED:	OWN: TOMMY WU 26MAR2013	CHK: HAPYE WU 26MAR2013	APVD: YUHONG MAO 26MAR2013
mm	0 PLC ±0.35 1 PLC ±0.25 2 PLC ±0.25 3 PLC ±0.25 4 PLC ±0.25 ANGLES ±0.5	NAME: CAP HOUSING, FREE HANGING, TRIPLE ROW POWER TRIPLE LOCK	SIZE: A1	CAGE CODE: 108-106118
MATERIAL:	FINISH:	APPLICATION SPEC: 114-106118	WEIGHT:	Customer Drawing

STE TE Connectivity

RESTRICTED TO

SCALE: SHEET 2 OF 2 REV B

X-ON Electronics

Largest Supplier of Electrical and Electronic Components

Click to view similar products for [Headers & Wire Housings](#) category:

Click to view products by [TE Connectivity](#) manufacturer:

Other Similar products are found below :

[892-18-020-10-001101](#) [58102-G61-06LF](#) [582553-1](#) [0009485154](#) [009176003701906](#) [0050291907](#) [LY20-4P-DT1-P1E-BR](#) [02.125.8002.8](#)
[609-3404](#) [61062-3](#) [61082-181009](#) [622-3653LF](#) [63453-116](#) [636-1030](#) [636-1427](#) [636-3427](#) [636-4007](#) [641938-9](#) [641991-4](#) [644827-2](#) [65817-](#)
[010LF](#) [65817-015LF](#) [65863-015LF](#) [66207-023LF](#) [67095-007LF](#) [67601157](#) [68645-018](#) [68648-049](#) [70.362.1628.0](#) [70-4210](#) [70-4226B](#) [70-](#)
[4853B](#) [707-5020](#) [707-5028](#) [71.350.2428.0](#) [71918-208LF](#) [71961-016LF](#) [733-134](#) [733-162](#) [754199-000](#) [760-3052](#) [79531-3000](#) [FCN-](#)
[360C032-B](#) [FCN-367T-T012/H](#) [FCN-723D010/2](#) [80.063.4001.1](#) [800-90-001-10-001000](#) [800-90-010-10-002000](#) [801-43-002-10-013000](#)
[801-43-006-10-002000](#)