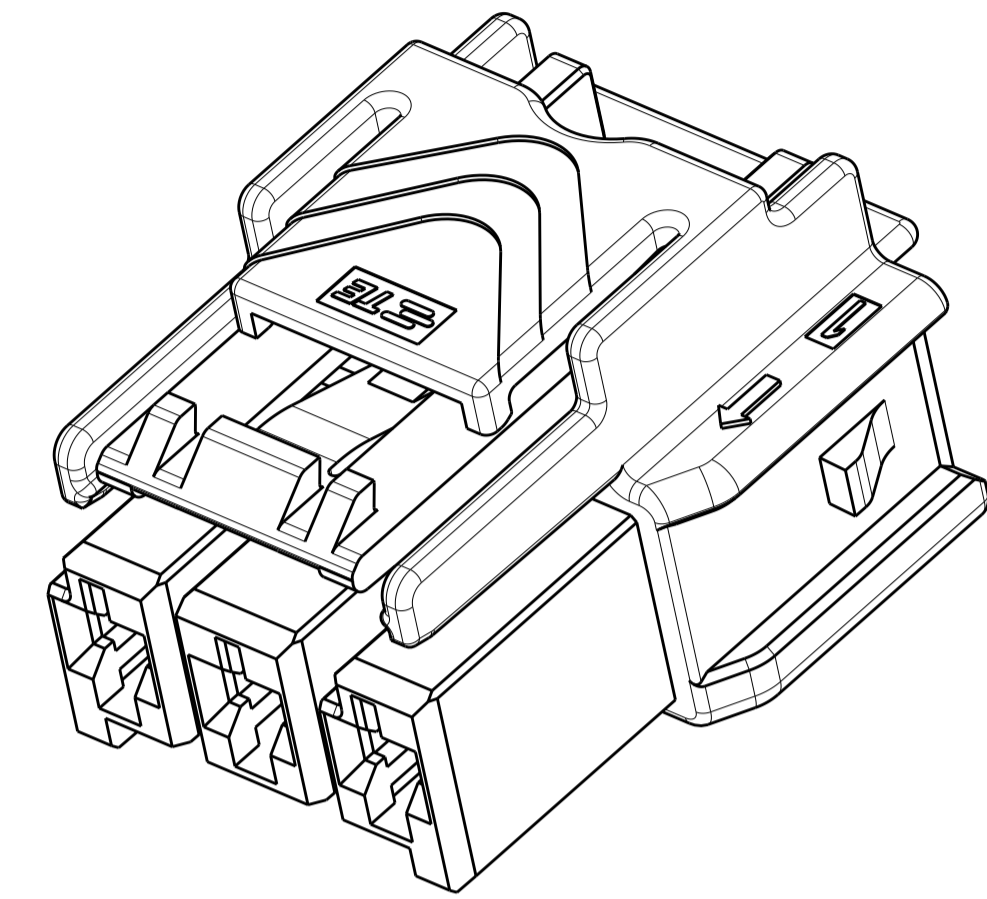
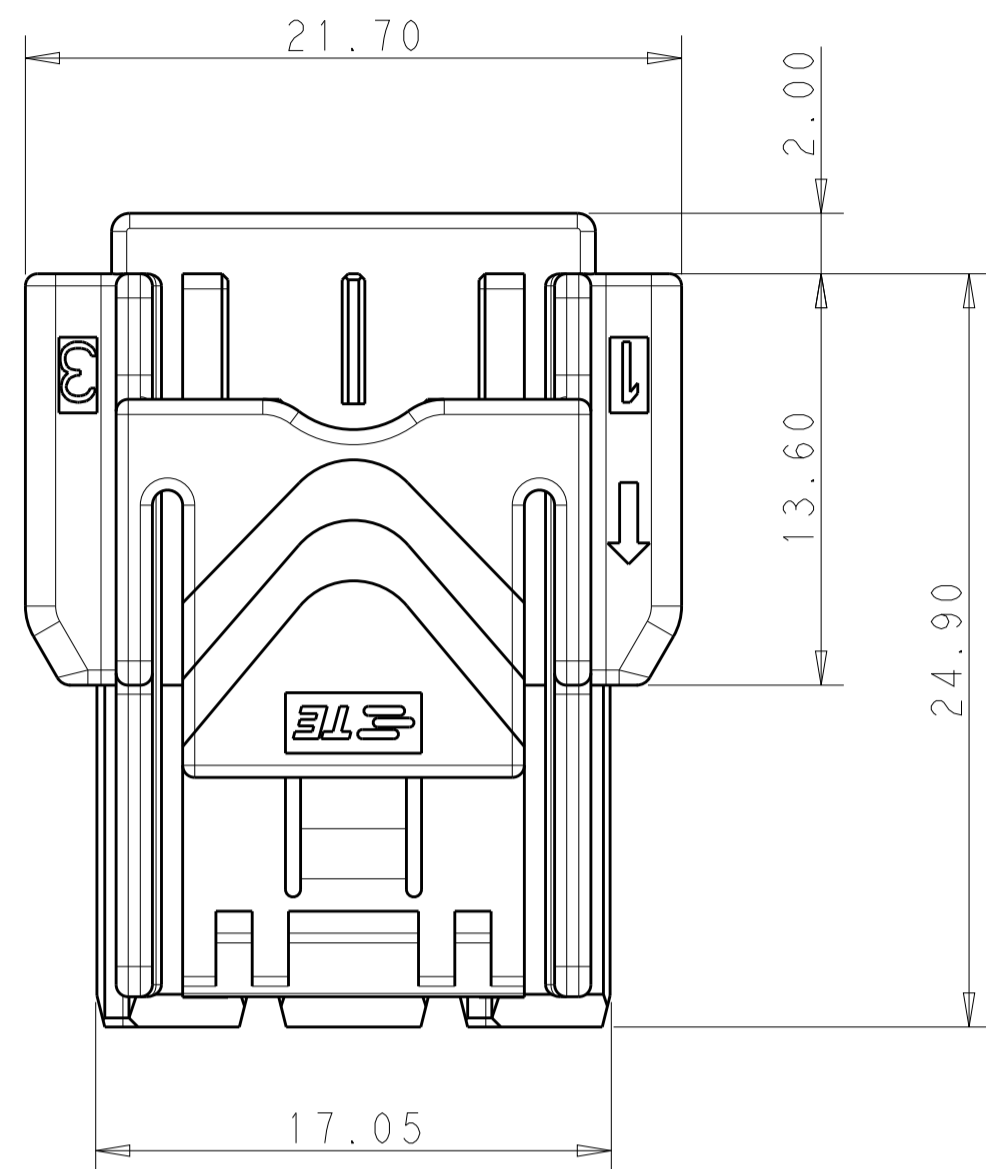
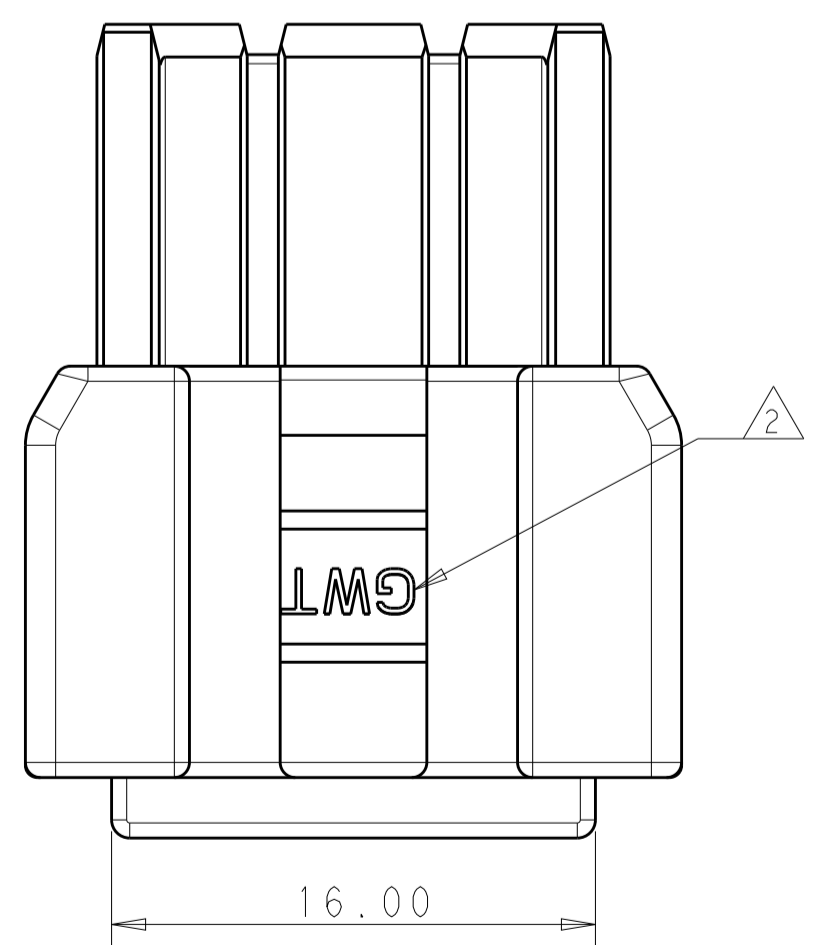
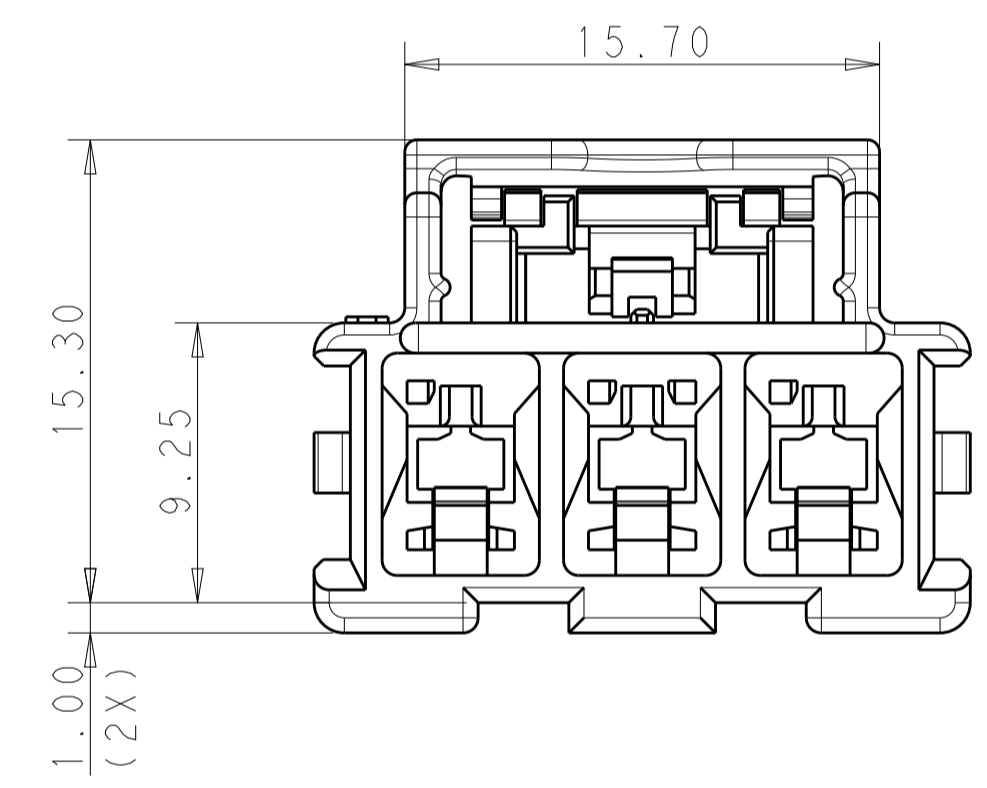
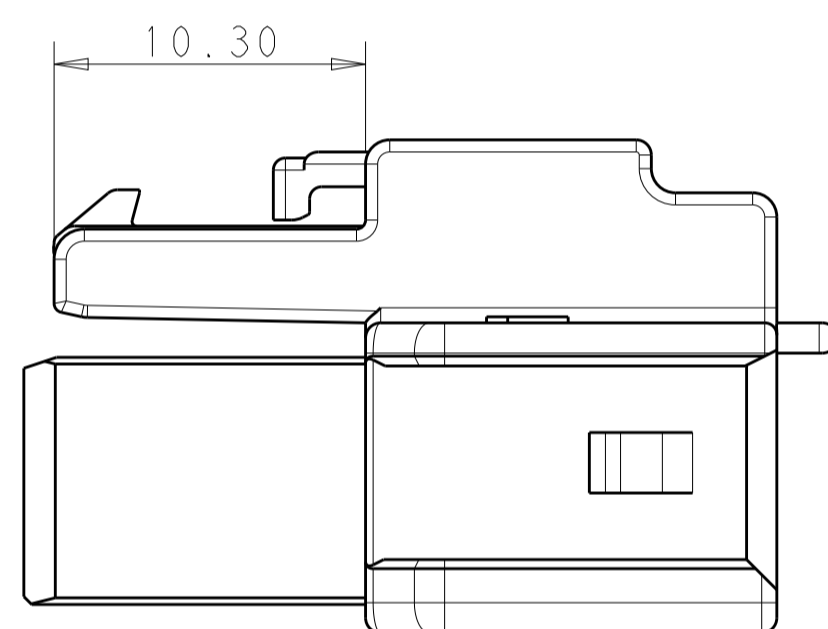
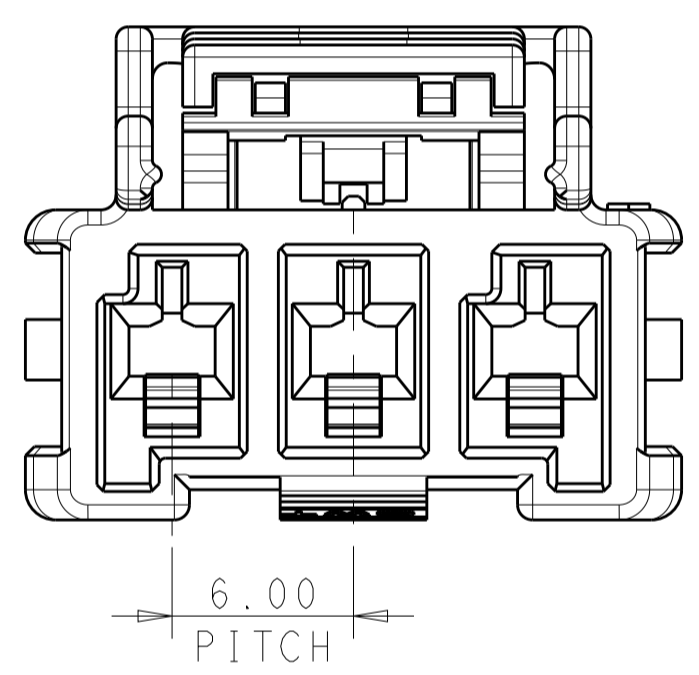


REVISIONS				
P.	LTN.	DESCRIPTION	DATE	DMN. APVD.
	B1	REVISED PER ECO-16-012046	16AUG16	RS GJ



- 1 MATERIAL: NYLON GLASS FILLED, NATURAL, UL94 V-0
- 2 MATERIAL MARK:GWT
- 3 COMPLIES WITH GLOW WIRE REQUIREMENT FOR PARTS OF NON-METALLIC MATERIAL SUPPORTING A CURRENT CARRYING CONNECTION DETAILED IN IEC 60335-1, SECTION 30 (GWT 750°C NF)
- 4 APPLICABLE CONTACT P/N  
REC CONTACT: 2232723-\* and 2238093-\*
- 5 MATING CONN, P/N  
CAP HSG:5-2232353-3  
TPA (LOCKING PLATE):1971777-3



1*3	GWT	NATURAL	5-2232362-3
POS.	MATERIAL	COLOR	P/N

THIS DRAWING IS A CONTROLLED DOCUMENT.		DMN. 23JUL2013	TE Connectivity
DIMENSIONS: mm		CHK. HAPYE_WU 23JUL2013	
TOLERANCES UNLESS OTHERWISE SPECIFIED:		APVD. YUHONG MAO 23JUL2013	
0 PLC ± 1 PLC ±0.35 2 PLC ±0.25 3 PLC ± 4 PLC ± ANGLES ± FINISH ±		NAME PLUG HOUSING 3 POSITION PTL MFBL (MAKE FIRST BREAK LAST)	
MATERIAL		PRODUCT SPEC 108-106147 APPLICATION SPEC 114-106147 WEIGHT Customer Drawing	SIZE CAGE CODE DRAWING NO A100779C=2232362 RESTRICTED TO
SCALE 4:1			SHEET 1 OF 1 REV B1

## X-ON Electronics

Largest Supplier of Electrical and Electronic Components

*Click to view similar products for [Heavy Duty Power Connectors](#) category:*

*Click to view products by [TE Connectivity](#) manufacturer:*

Other Similar products are found below :

[647757-1](#) [6643411-1](#) [6646058-2](#) [6646137-1](#) [6646138-1](#) [6646479-1](#) [6646608-1](#) [6646786-1](#) [6646940-1](#) [6651091-1](#) [6651525-1](#) [6651529-1](#)  
[6651788-1](#) [696475-1](#) [702-32-01109](#) [703-25-02205](#) [73000005059](#) [73000005642](#) [73080255059](#) [73080965046](#) [765-15-0080A](#) [765-16-0080B](#)  
[765-18-0080D](#) [829992-1](#) [902-77-02113](#) [PS00/A0620/6300](#) [PS25/A0420/63](#) [129-1J](#) [1409400](#) [AN0024023](#) [E6374G1](#) [e6389g2](#) [157-43GW8](#)  
[MS3117-14AC](#) [1643543-1](#) [1650540-1](#) [1651811-2](#) [1766260-1](#) [1766282-1](#) [1766966-1](#) [1791340000](#) [NLDFT-3-BL-L-S120-M40A](#) [NLDFT-N-](#)  
[W-L-C240-M40B](#) [NLS-2-R-C240-M40B](#) [NLS-N-W-C240-M40B](#) [NPS-3-BL-T6](#) [1986615-1](#) [2-1589900-8](#) [2199314-1](#) [KA8102](#)