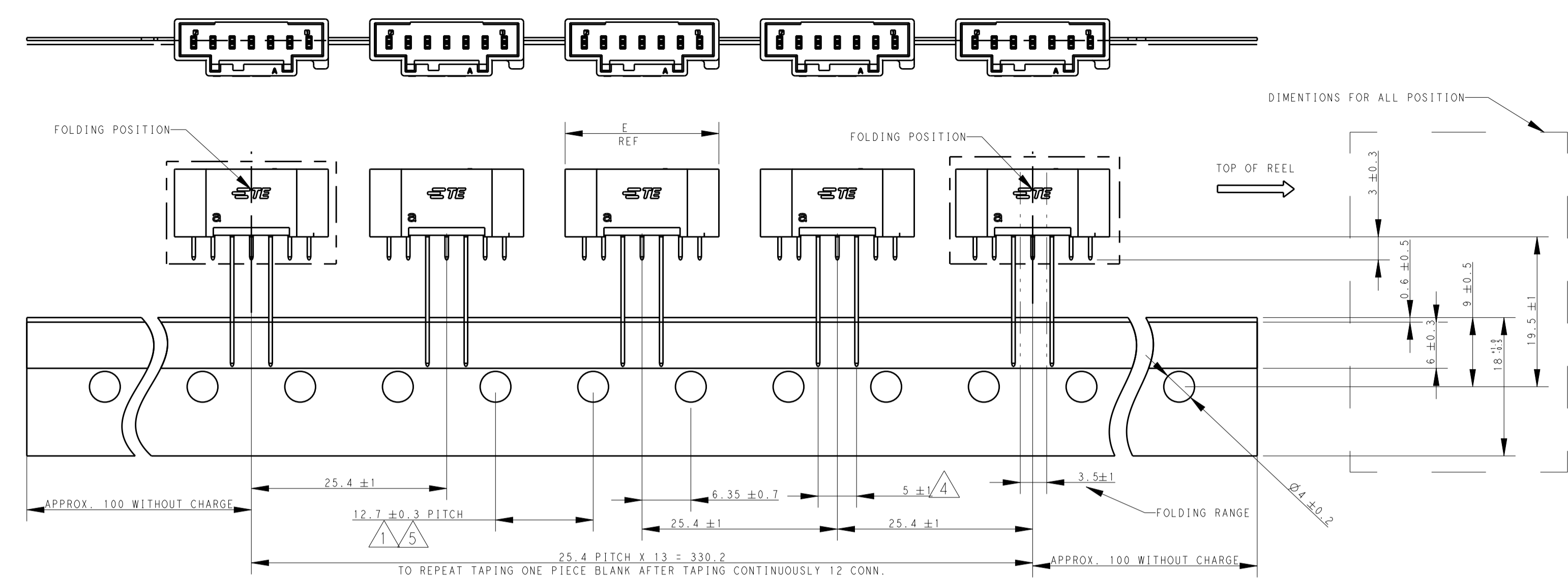
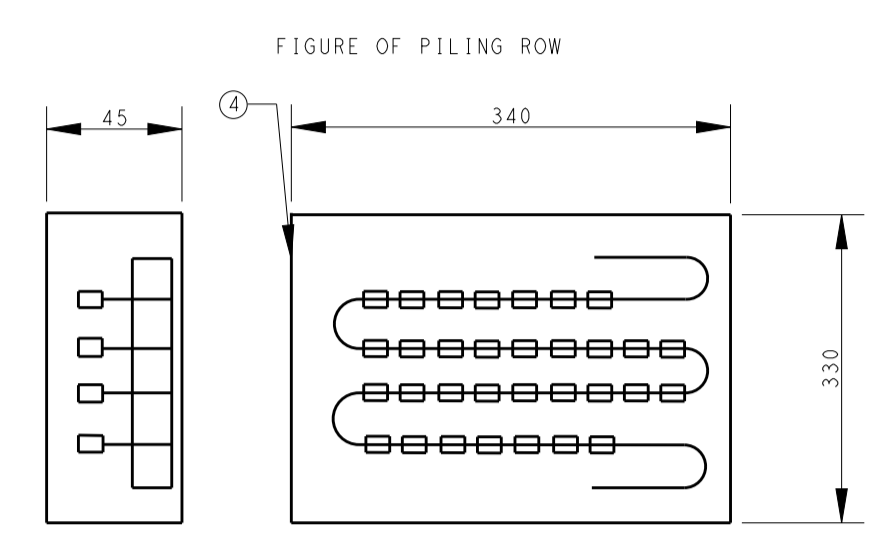


REVISIONS				
P.	LTM	DESCRIPTION	DATE	OWN APVD
A		INITIAL RELEASE	08JUNE2016	A.O D. Z
A1		ECR-16-017015	10DEC2016	A.O D. Z

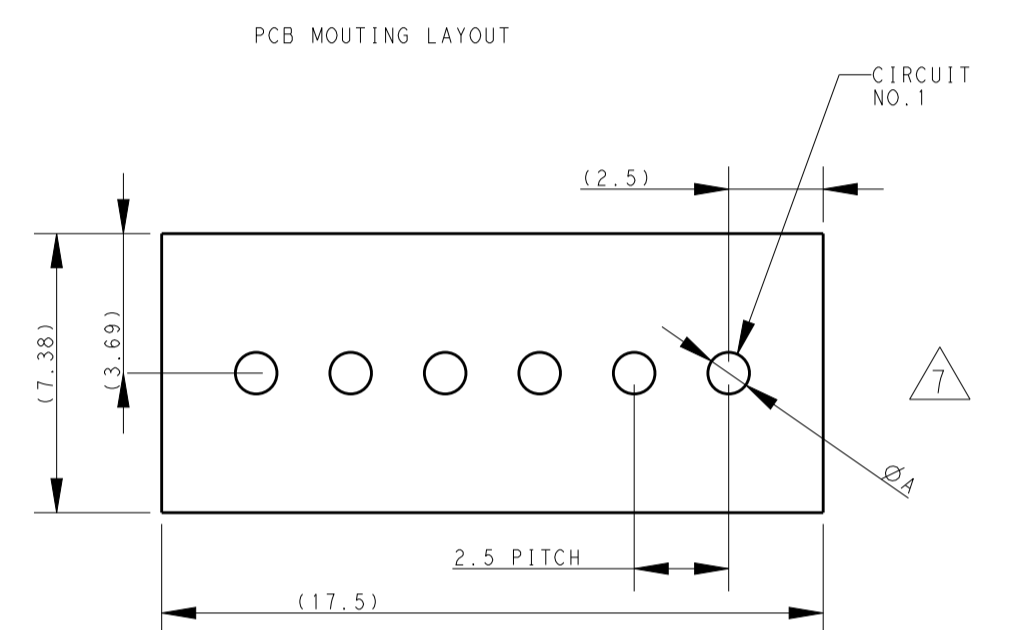
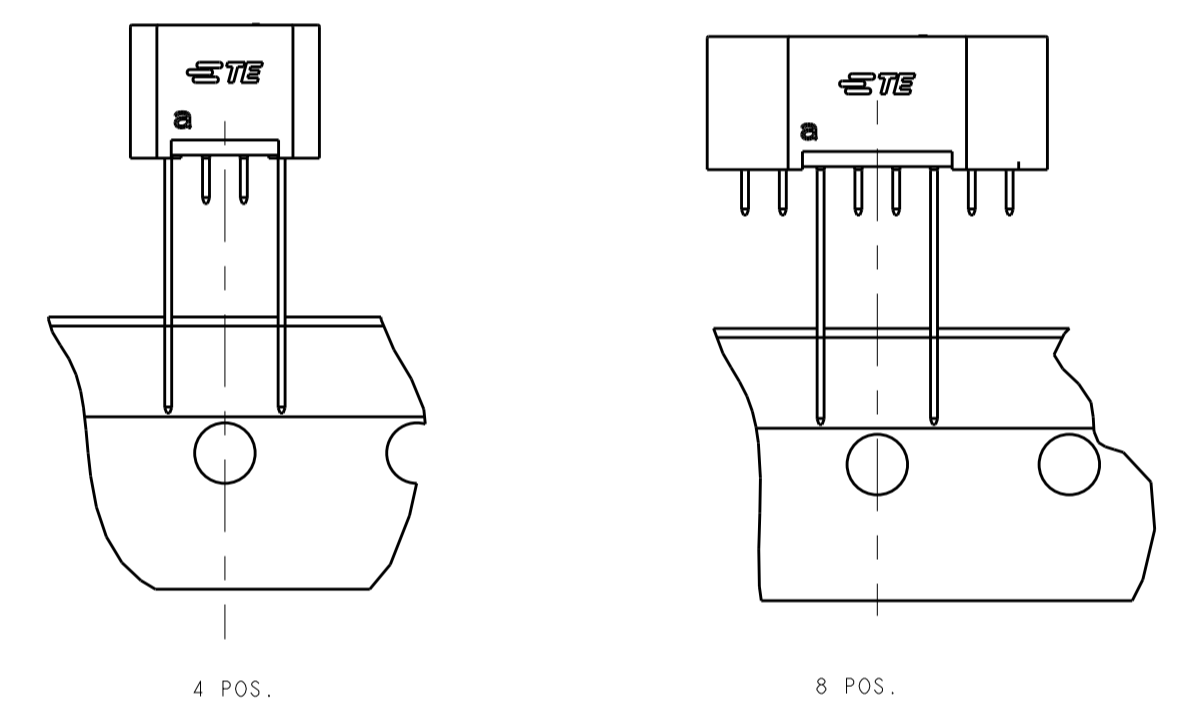
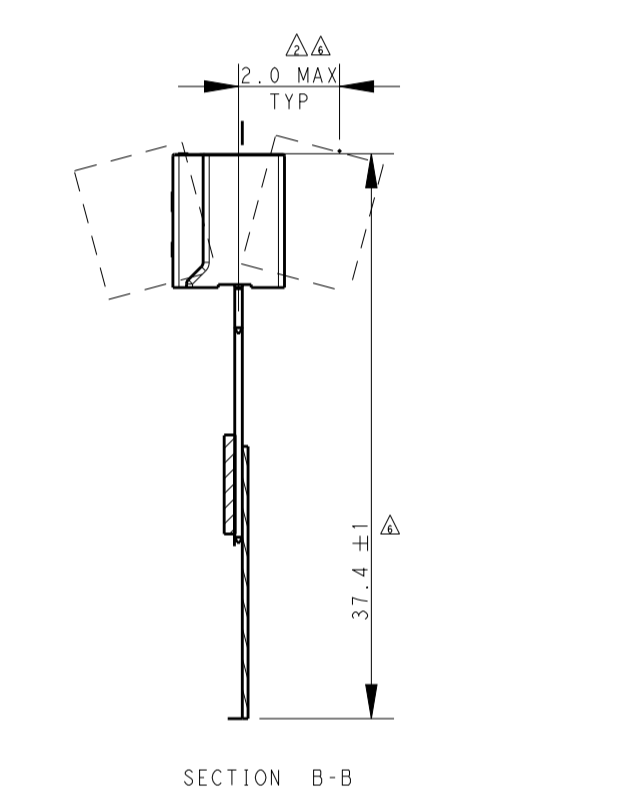
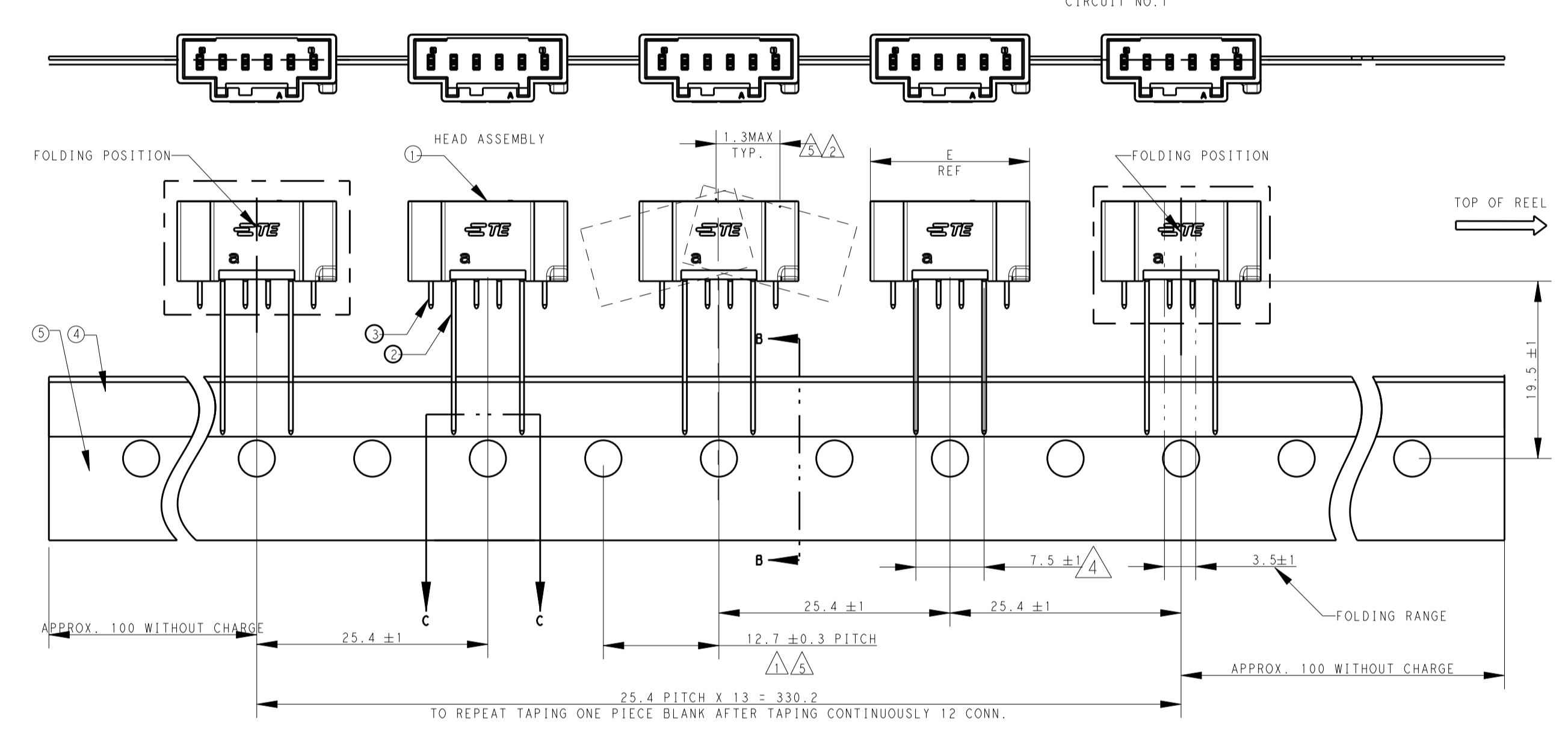
TAPING STYLE B: 5,7POS



NOTE:
 1. ACCUMULATING TOLERANCE: ±1.0mm/20 PITCH
 Δ MEASURING POINT: AT TOP OF POST
 Δ TAPE MUST NOT PROTRUDE FROM BACKING PAPER
 Δ MEASURING POINT, THE TOP OF TAPING AND THE CENTER LINE OF LEAD WIRE 1W BETWEEN
 Δ BE BASED ON THE CENTER 12.7mm PITCH DIMENSION
 Δ DIMENSIONS ARE FOR ALL POSITION.
 Δ APPLICABLE P.C.B. HOLE DIA: ØA: 1.1 ± 0.1mm
 Δ PRELIMINARY-NOT FOR PRODUCTION



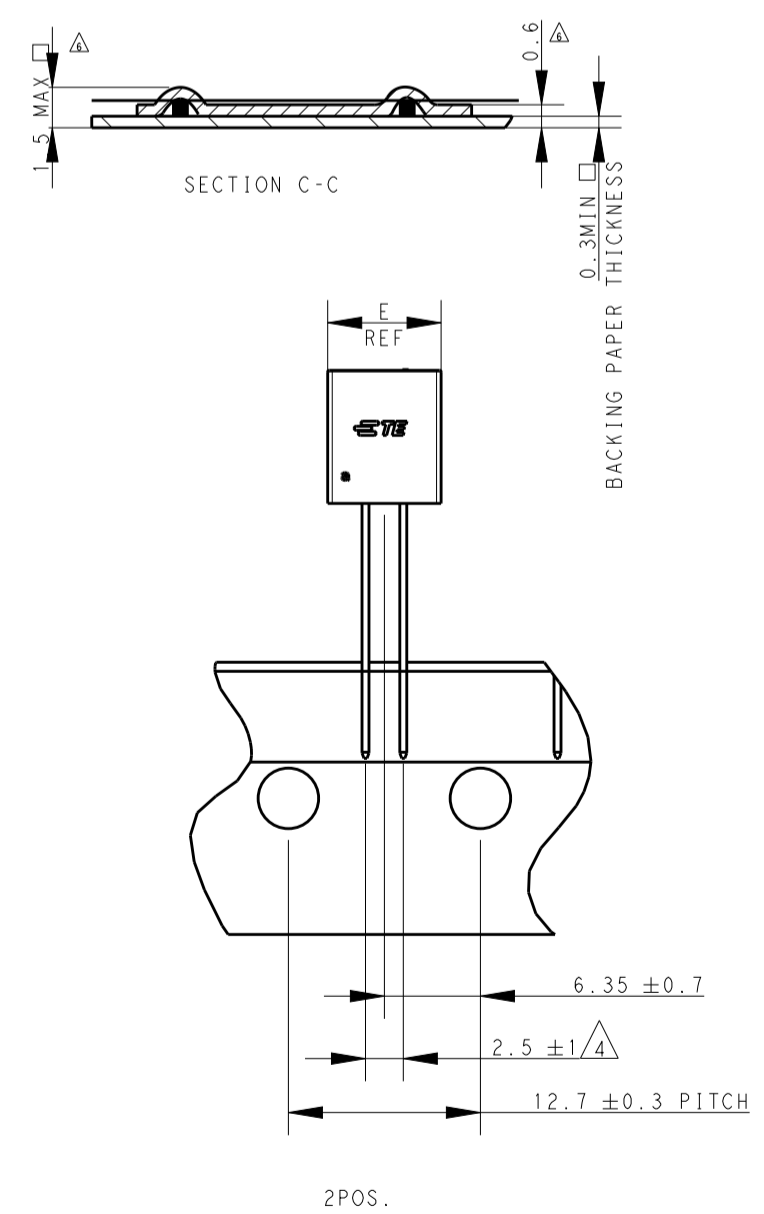
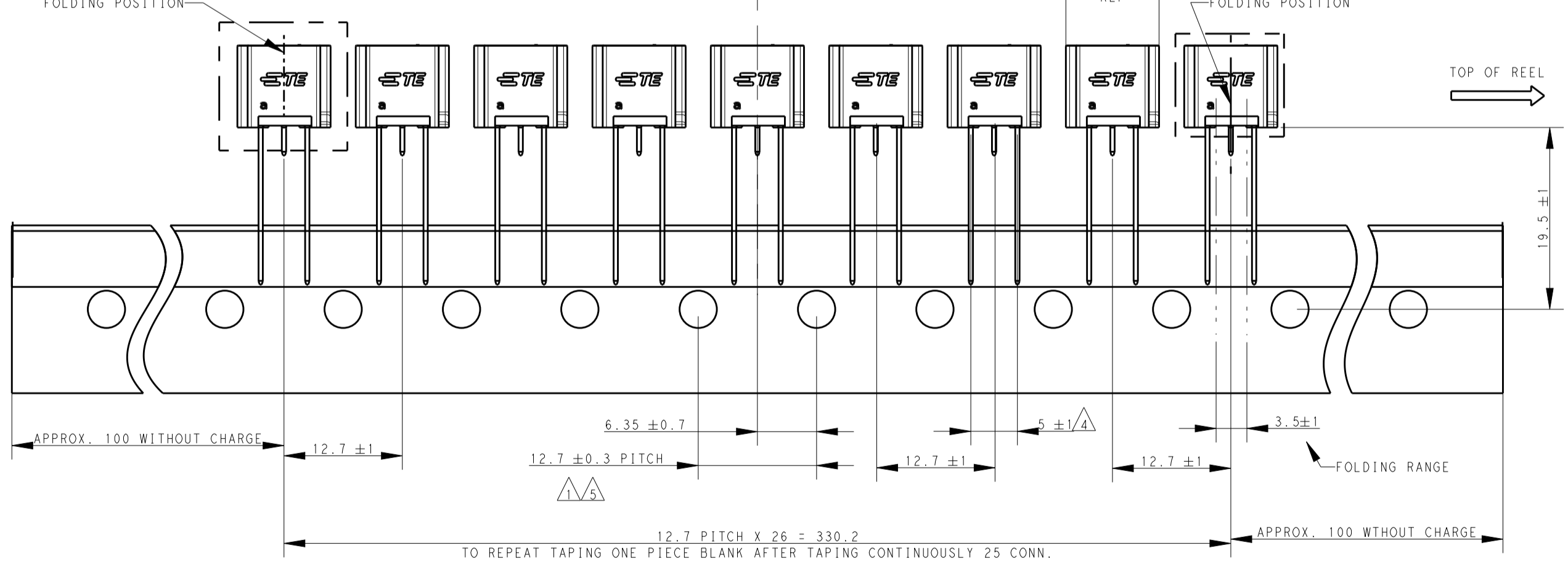
TAPING STYLE B: 4,6,8POS



KEYING	COLOR	X
D	BLACK	5
D	YELLOW	4
C	RED	3
B	BLUE	2
A	NATURAL	1
KEYING	COLOR	X

ITEM	NAME	MATERIAL
①	HEAD HOUSING	66 NYLON GF UL94V-0
②	LONG POST CONTACT	BRASS:
③	SHORT POST CONTACT	FINISH: CONTACT POINT Au, Time Tin, OVER Ni
④	RADIAL TAPE	THERMAL PAPER
⑤	BACKING PAPER	CRAFT PAPER

TAPING STYLE A: 2,3POS



* / *	* / *	* / *	450	B	17.5	8	22.5	8	8-2232542-X	8-2232546-X Δ
* / *	* / *	* / *	450	C	15	7	20.0	7	7-2232542-X	7-2232546-X Δ
* / *	* / *	* / *	450	B	12.5	6	17.5	6	6-2232542-X	6-2232546-X
* / *	* / *	* / *	450	C	10	5	15.0	5	5-2232542-X	5-2232546-X
* / *	* / *	* / *	450	B	7.5	4	12.5	4	4-2232542-X	4-2232546-X
* / *	* / *	* / *	900	A	5	3	10.0	3	3-2232542-X	3-2232546-X
* / *	* / *	* / *	900	A	2.5	2	7.5	2	2-2232542-X	2-2232546-X
8 7 6 5 4 3 2 1	QTY	TAPING STYLE	M	N	E	POS	HEAD ASS 1	STRIP ASS	X=1.2.3.4.5	

Δ: LONG PIN 2232707-4
 * : SHORT PIN 2232707-3

THIS DRAWING IS A CONTROLLED DOCUMENT.

OWN: ANNIE QIAN 18-JAN-16
 CHK: DANIEL ZHANG 18-JAN-16
 APVD: DANIEL ZHANG 18-JAN-16

NAME: GRACE INERTIA 2.5 CONNECTOR HEADER ON TAPE

PRODUCT SPEC: 108-106077
 APPLICATION SPEC: 114-106077

SIZE: A1 CAGE CODE: 2232546 DRAWING NO: 2232546

SCALE: 4:1 SHEET 1 OF 1 REV: A1

X-ON Electronics

Largest Supplier of Electrical and Electronic Components

Click to view similar products for [Headers & Wire Housings](#) category:

Click to view products by [TE Connectivity](#) manufacturer:

Other Similar products are found below :

[95000-104TRLF](#) [10135584-644402LF](#) [DF62W-EP2022PCA](#) [95000-106TRLF](#) [DF62W-2022SCA](#) [DF62W-EP2022PC](#) [2203348](#) [DF62W-2022SC](#) [1084018](#) [1029039](#) [1084017](#) [802-10-012-10-002000](#) [1112640](#) [1112639](#) [891-007-9SS-BST1T](#) [000-34000](#) [0008550134](#) [0009482033](#) [0009507031](#) [57102-F02-18ULF](#) [57102-S06-03LF](#) [57202-S52-04LF](#) [PCN6-15S-2.5E](#) [0039019024](#) [58102-G61-06LF](#) [582553-1](#) [0009485154](#) [0009508121](#) [0022285053](#) [0050291907](#) [018731A](#) [LY20-4P-DT1-P1E-BR](#) [02.125.8002.8](#) [60101931](#) [60598-1 \(Cut Strip\)](#) [M1625-3R/100](#) [61062-3](#) [61082-181009](#) [CSU011177004](#) [636-1427](#) [638009-1](#) [641938-9](#) [641991-4](#) [644168-1](#) [644827-2](#) [647662-1](#) [65039-019ELF](#) [65692-001LF](#) [65781-018](#) [65781-047](#)