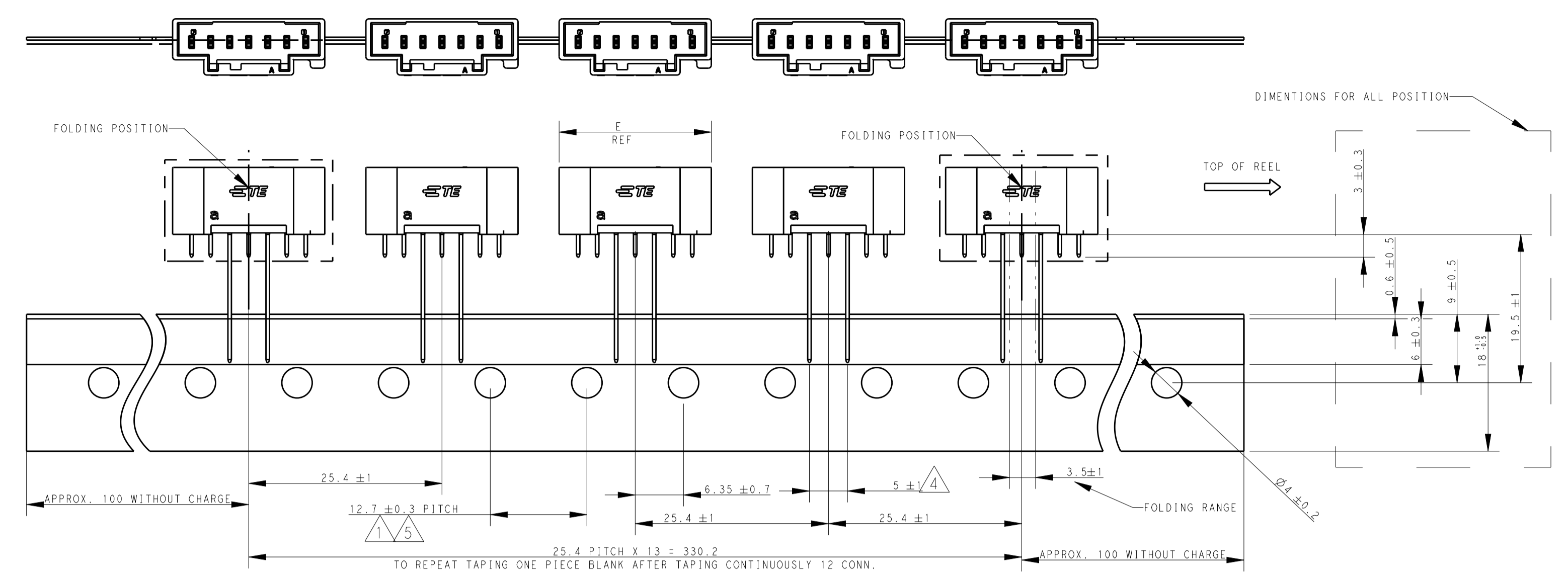
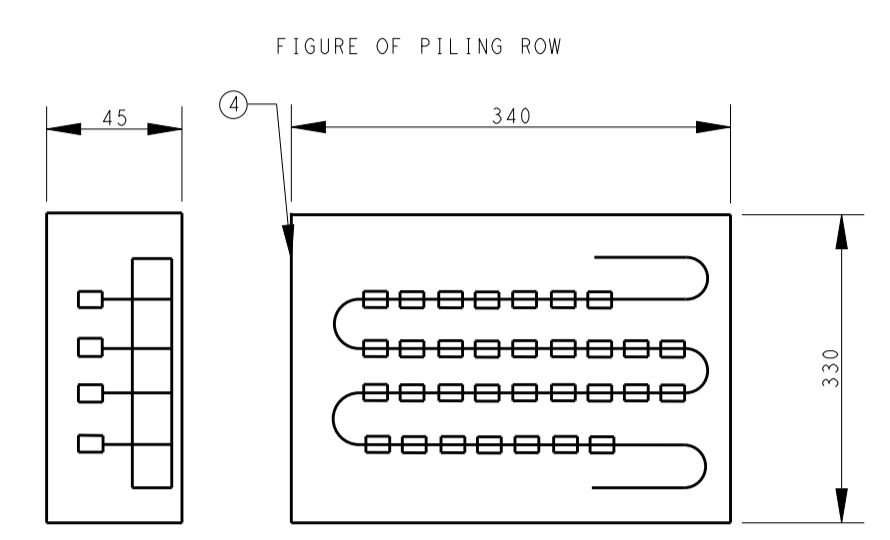


| REVISIONS | | | | | |
|-----------|---------------|-------------|-----------|-----|------|
| P. | LTM | DESCRIPTION | DATE | DMN | APVD |
| A1 | ECR-16-017015 | | 10DEC2016 | A.O | D.2 |
| A2 | ECR-18-016738 | | 23OCT2018 | C.X | D.2 |

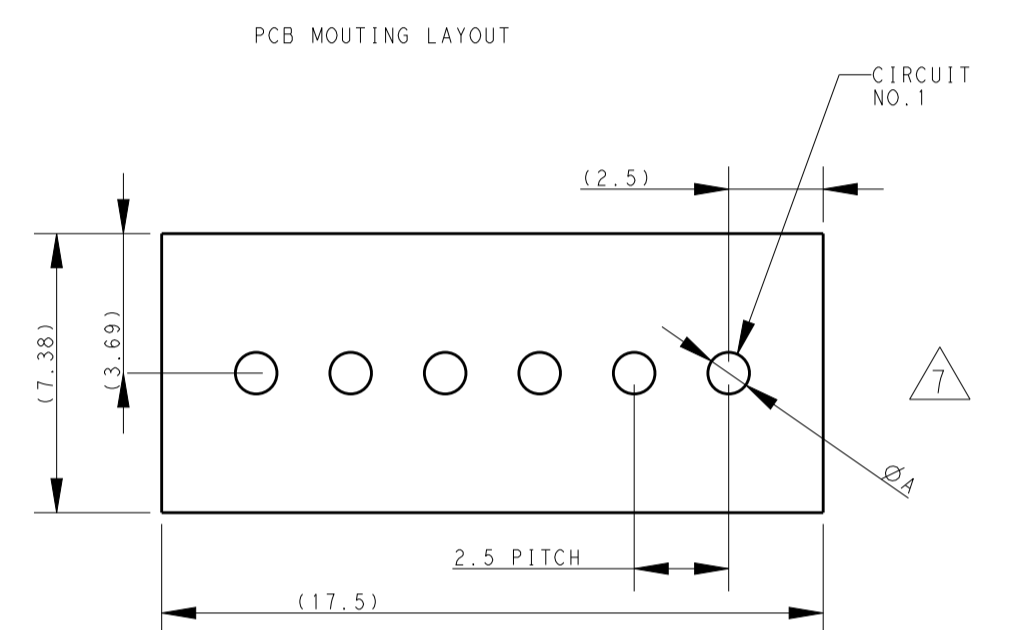
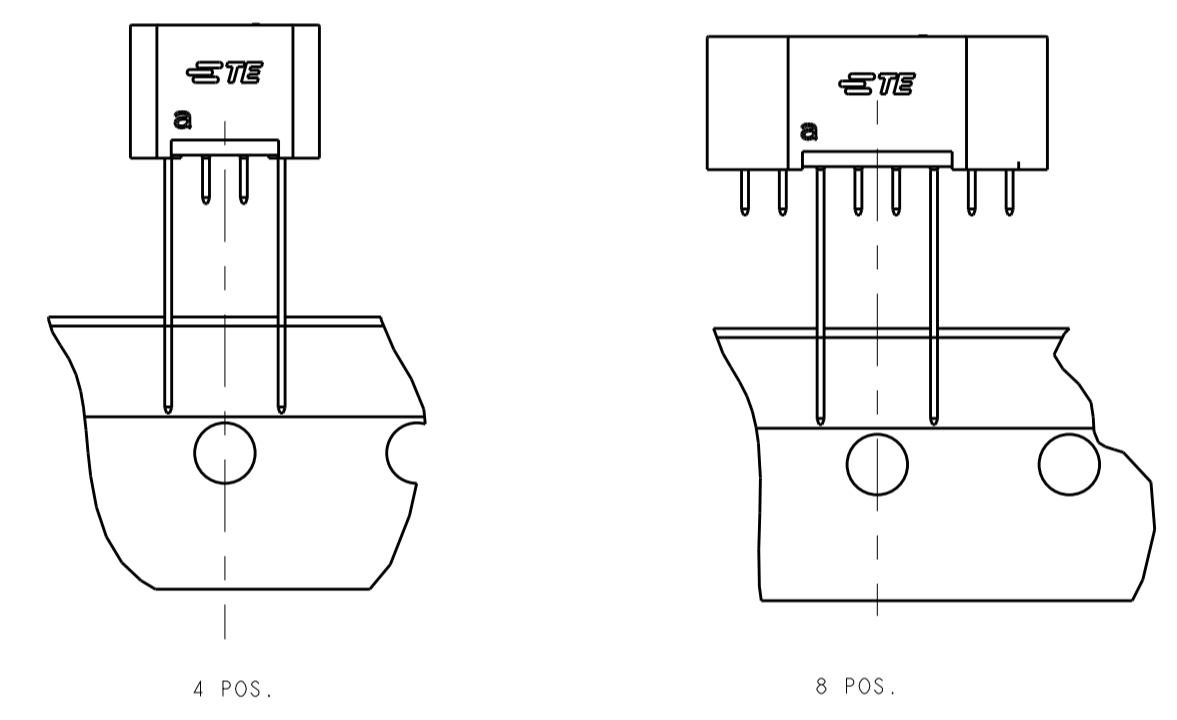
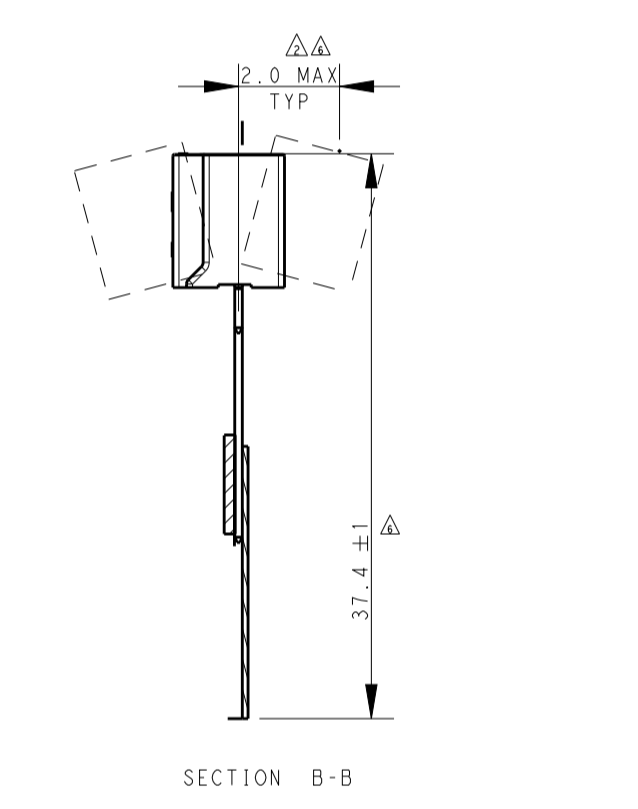
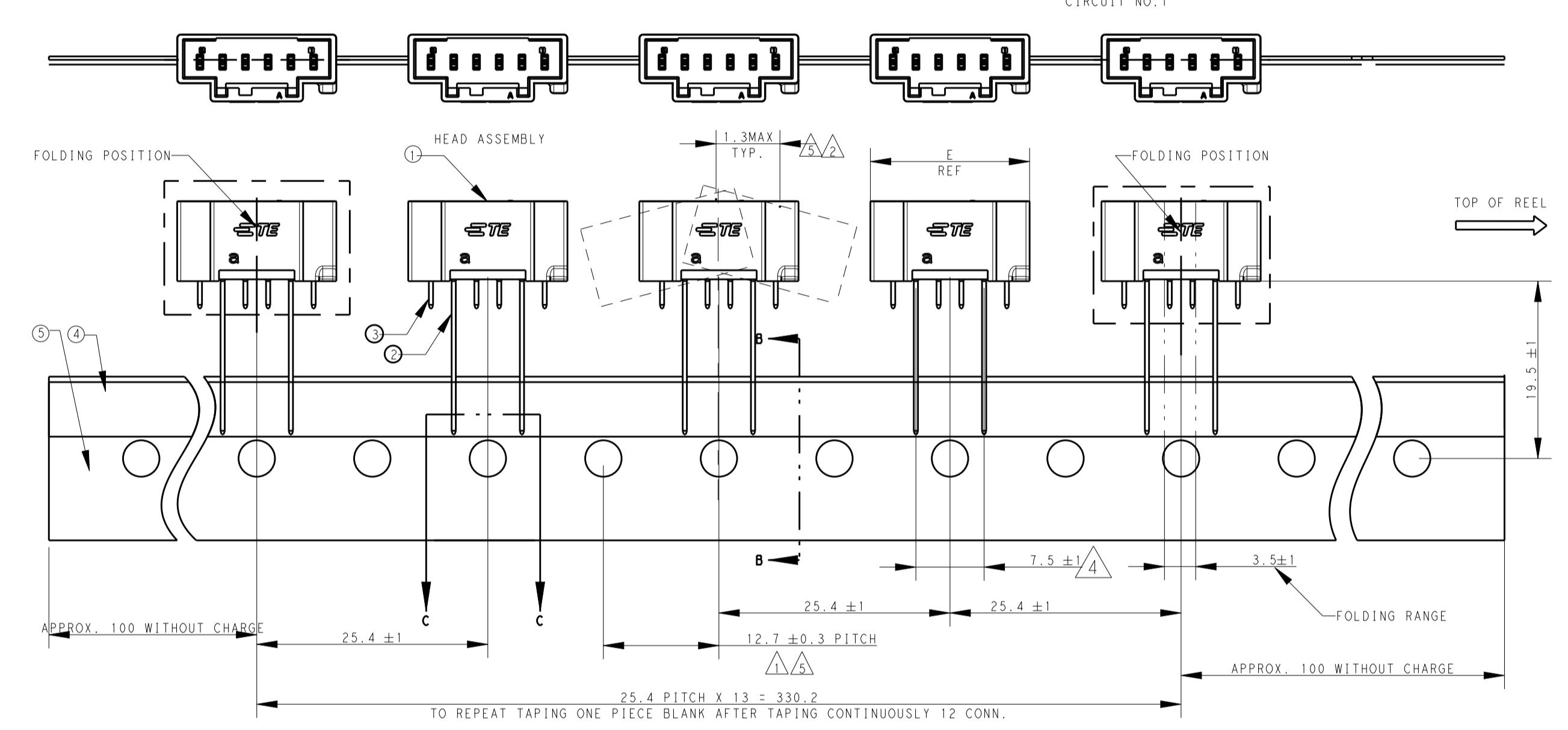
TAPING STYLE B: 5,7POS



NOTE:
 1. ACCUMULATING TOLERANCE: ±1.0mm/20 PITCH
 Δ MEASURING POINT: AT TOP OF POST
 Δ TAPE MUST NOT PROTRUDE FROM BACKING PAPER
 Δ MEASURING POINT, THE TOP OF TAPING AND THE CENTER LINE OF LEAD WIRE 1W BETWEEN
 Δ BE BASED ON THE CENTER 12.7mm PITCH DIMENSION
 Δ DIMENSIONS ARE FOR ALL POSITION.
 Δ APPLICABLE P.C.B. HOLE DIA: 2A: 1.1 ± 0.1mm
 Δ PRELIMINARY-NOT FOR PRODUCTION



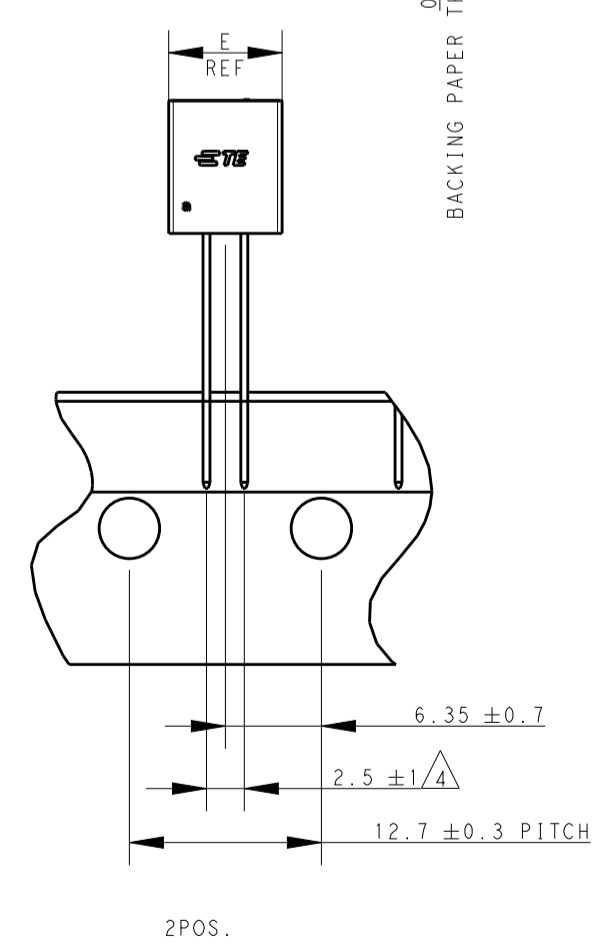
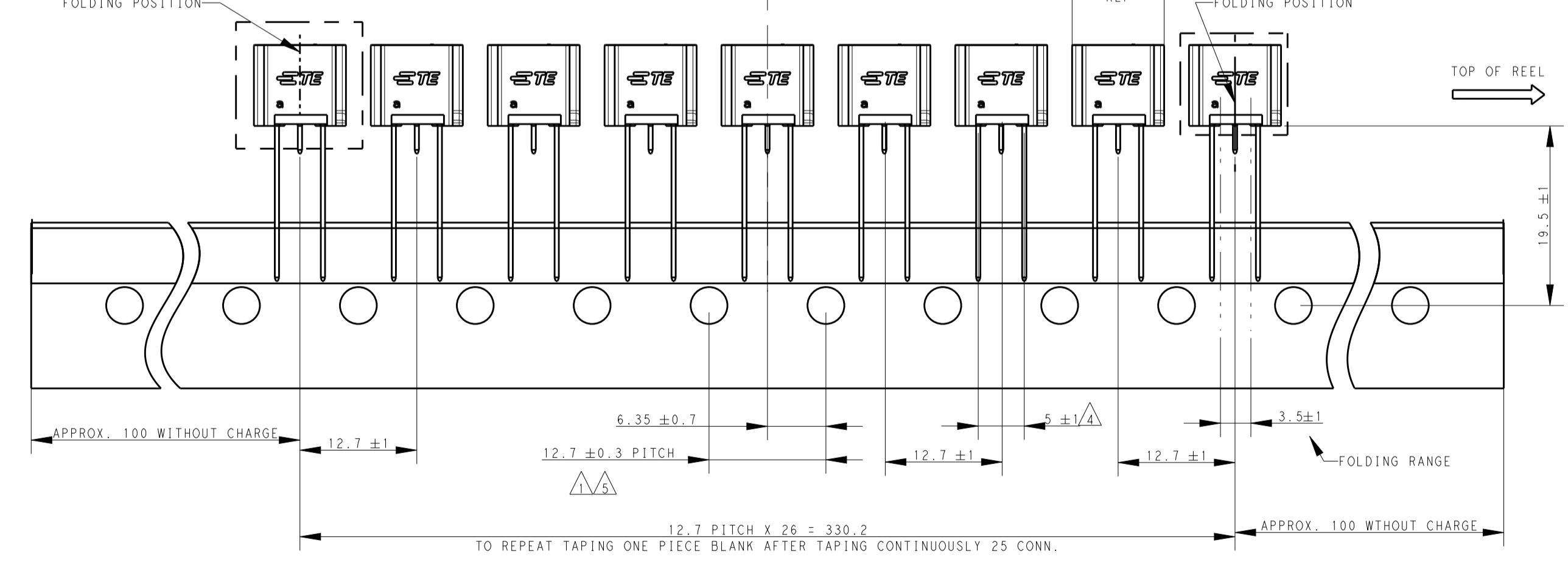
TAPING STYLE B: 4,6,8POS



| KEYING | COLOR | X |
|--------|---------|---|
| D | BLACK | 5 |
| D | YELLOW | 4 |
| C | RED | 3 |
| B | BLUE | 2 |
| A | NATURAL | 1 |
| KEYING | COLOR | X |

| ITEM | NAME | MATERIAL |
|------|--------------------|---------------------|
| ① | HEAD HOUSING | 66 NYLON GF UL94V-0 |
| ② | LONG POST CONTACT | BRASS; |
| ③ | SHORT POST CONTACT | FINISH: Tin OVER Ni |
| ④ | RADIAL TAPE | THERMAL PAPER |
| ⑤ | BACKING PAPER | CRAFT PAPER |

TAPING STYLE A: 2,3POS



| QTY | TAPING STYLE | M | N | E | POS | HEAD ASS 1 | STRIP ASS |
|-------------|--------------|------|---|-------------|-----|-------------|---------------|
| * | * | / | * | * | / | * | * |
| 450 | B | 17.5 | 8 | 22.5 | 8 | 8-2232542-X | 8-2232546-X Δ |
| 450 | C | 15 | 7 | 20.0 | 7 | 7-2232542-X | 7-2232546-X Δ |
| 450 | B | 12.5 | 6 | 17.5 | 6 | 6-2232542-X | 6-2232546-X |
| 450 | C | 10 | 5 | 15.0 | 5 | 5-2232542-X | 5-2232546-X |
| 450 | B | 7.5 | 4 | 12.5 | 4 | 4-2232542-X | 4-2232546-X |
| 900 | A | 5 | 3 | 10.0 | 3 | 3-2232542-X | 3-2232546-X |
| 900 | A | 2.5 | 2 | 7.5 | 2 | 2-2232542-X | 2-2232546-X |
| 8 | 7 | 6 | 5 | 4 | 3 | 2 | 1 |
| CIRCUIT NO. | | | | X=1.2.3.4.5 | | | |

Δ: LONG PIN 2232707-4
 * : SHORT PIN 2232707-3

THIS DRAWING IS A CONTROLLED DOCUMENT.

DMN: ANNIE QIAN 18-JAN-16
 CHK: DANIEL ZHANG 18-JAN-16
 APVD: DANIEL ZHANG 18-JAN-16

NAME: GRACE INERTIA 2.5 CONNECTOR HEADER ON TAPE

PRODUCT SPEC: 108-106077
 APPLICATION SPEC: 114-106077

SIZE: A1
 CAGE CODE: -
 DRAWING NO: -
 RESTRICTED TO: -

SCALE: 6:1
 SHEET: 1 OF 1
 REV: A2

X-ON Electronics

Largest Supplier of Electrical and Electronic Components

Click to view similar products for [Headers & Wire Housings](#) category:

Click to view products by [TE Connectivity](#) manufacturer:

Other Similar products are found below :

[892-18-020-10-001101](#) [58102-G61-06LF](#) [582553-1](#) [0009485154](#) [009176003701906](#) [0050291907](#) [LY20-4P-DT1-P1E-BR](#) [02.125.8002.8](#)
[609-3404](#) [61062-3](#) [61082-181009](#) [622-3653LF](#) [63453-116](#) [636-1030](#) [636-1427](#) [636-3427](#) [636-4007](#) [641938-9](#) [641991-4](#) [644827-2](#) [65817-](#)
[010LF](#) [65817-015LF](#) [65863-015LF](#) [66207-023LF](#) [67095-007LF](#) [67601157](#) [68645-018](#) [68648-049](#) [70.362.1628.0](#) [70-4210](#) [70-4226B](#) [70-](#)
[4853B](#) [707-5020](#) [707-5028](#) [71.350.2428.0](#) [71918-208LF](#) [71961-016LF](#) [733-134](#) [733-162](#) [754199-000](#) [760-3052](#) [79531-3000](#) [FCN-](#)
[360C032-B](#) [FCN-367T-T012/H](#) [FCN-723D010/2](#) [80.063.4001.1](#) [800-90-010-10-002000](#) [801-43-002-10-013000](#) [801-43-006-10-002000](#)
[801-93-011-10-001000](#)