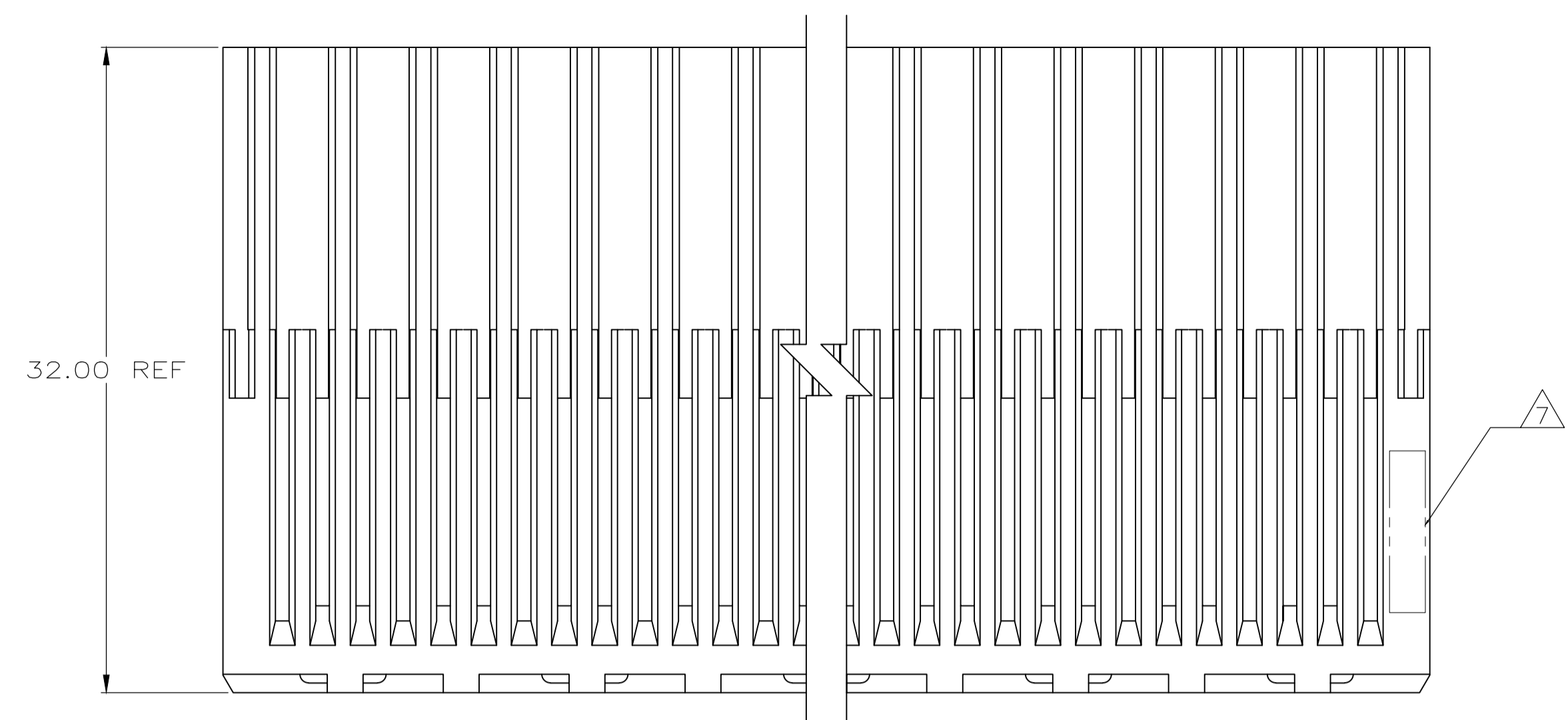
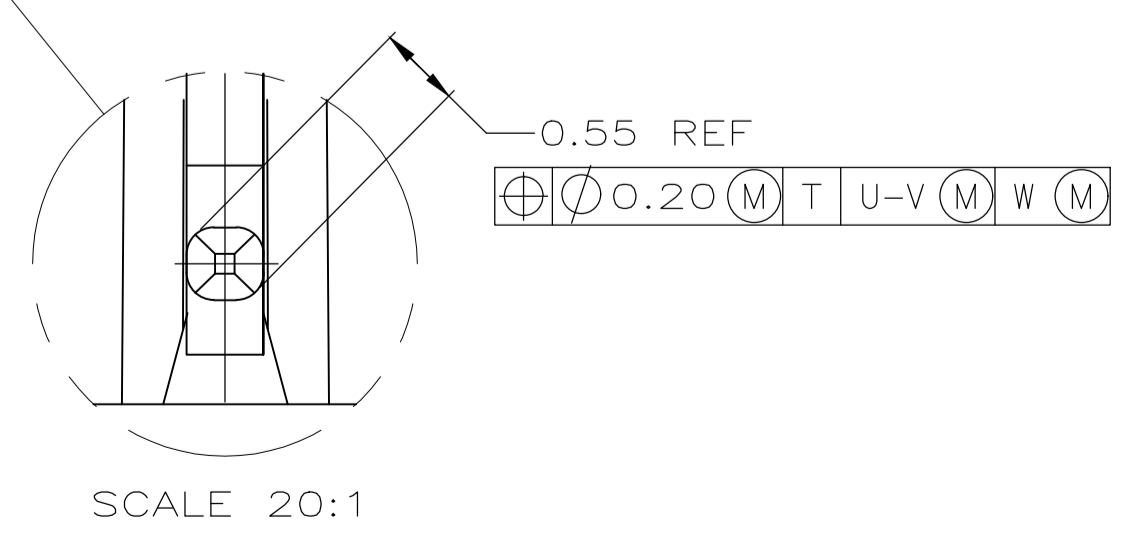
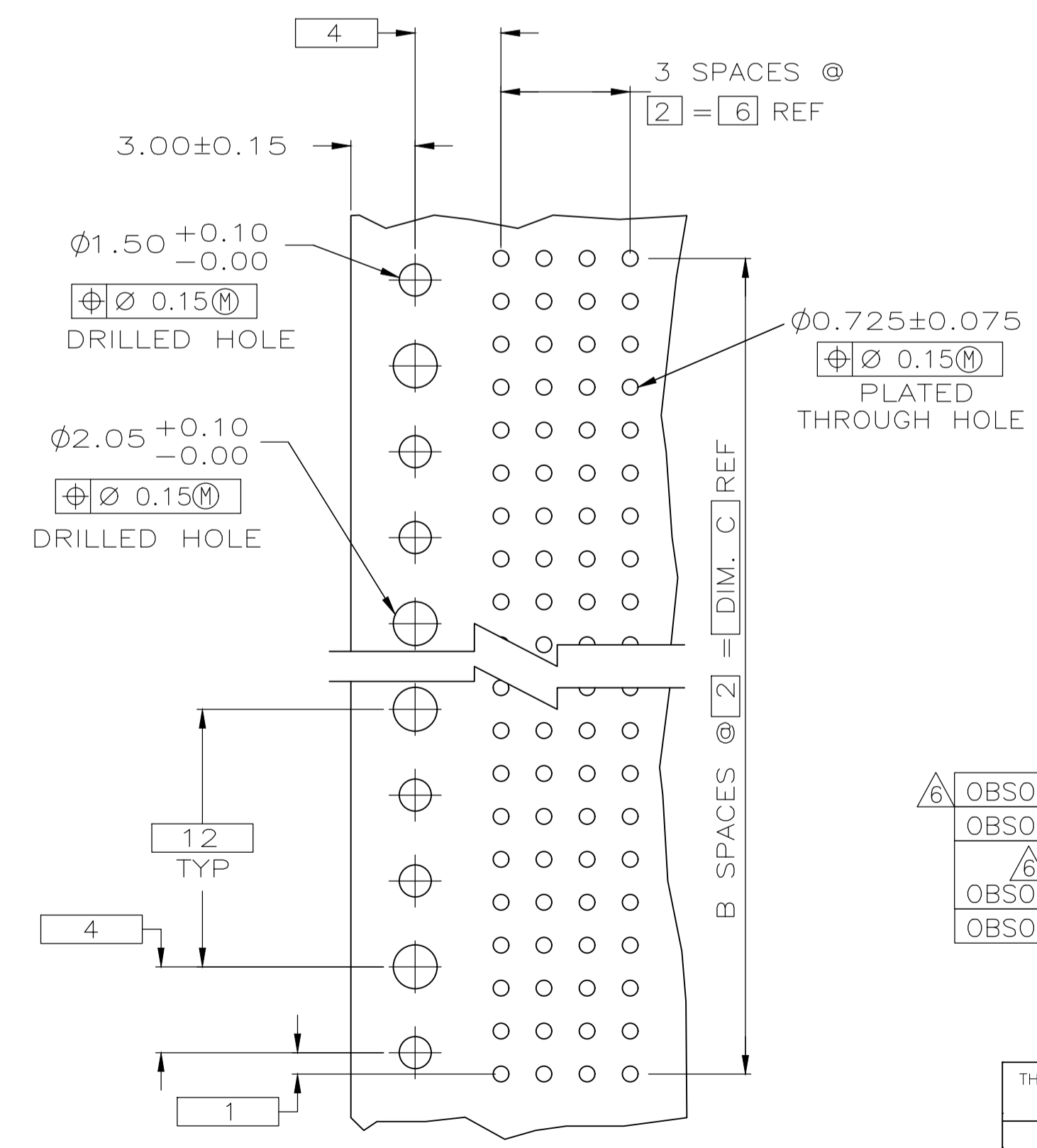
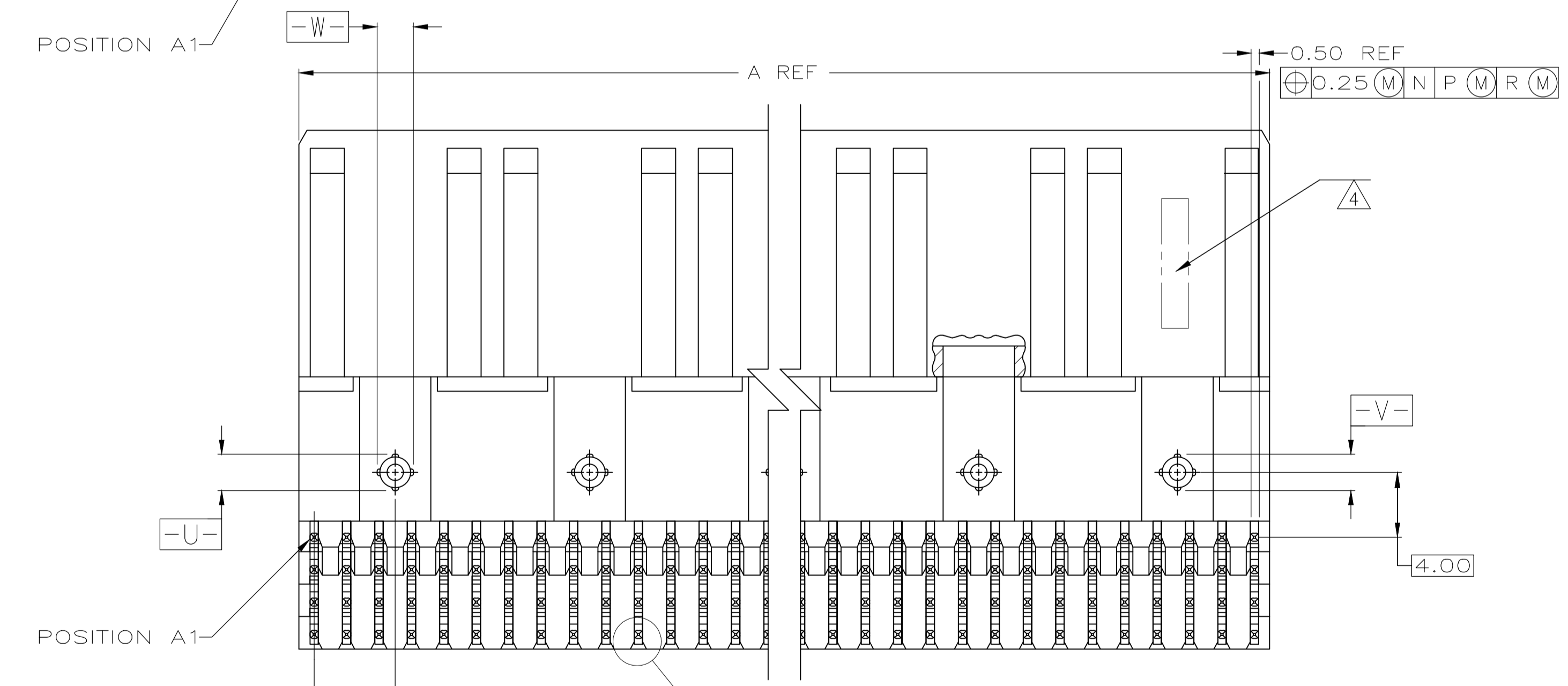
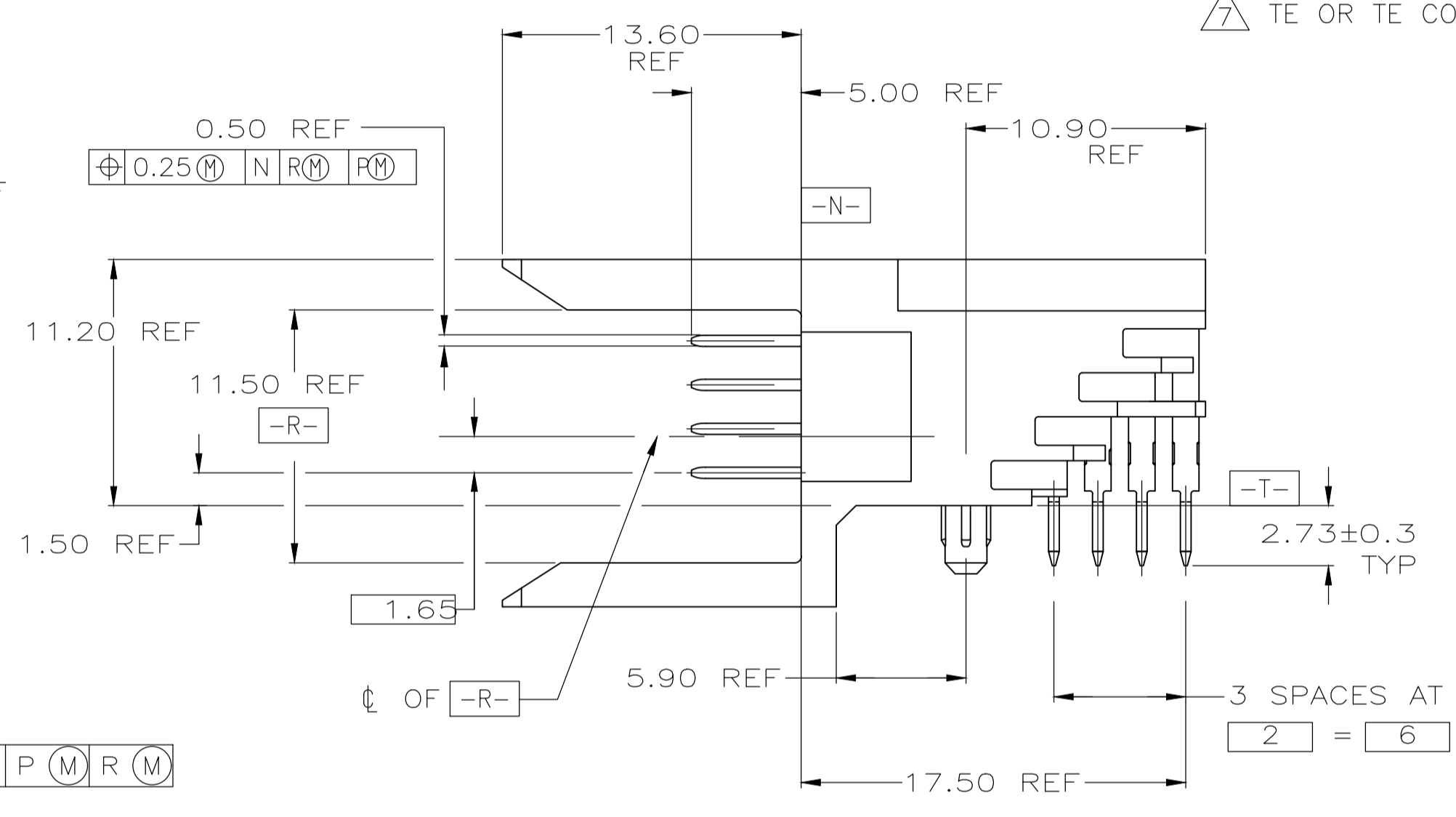
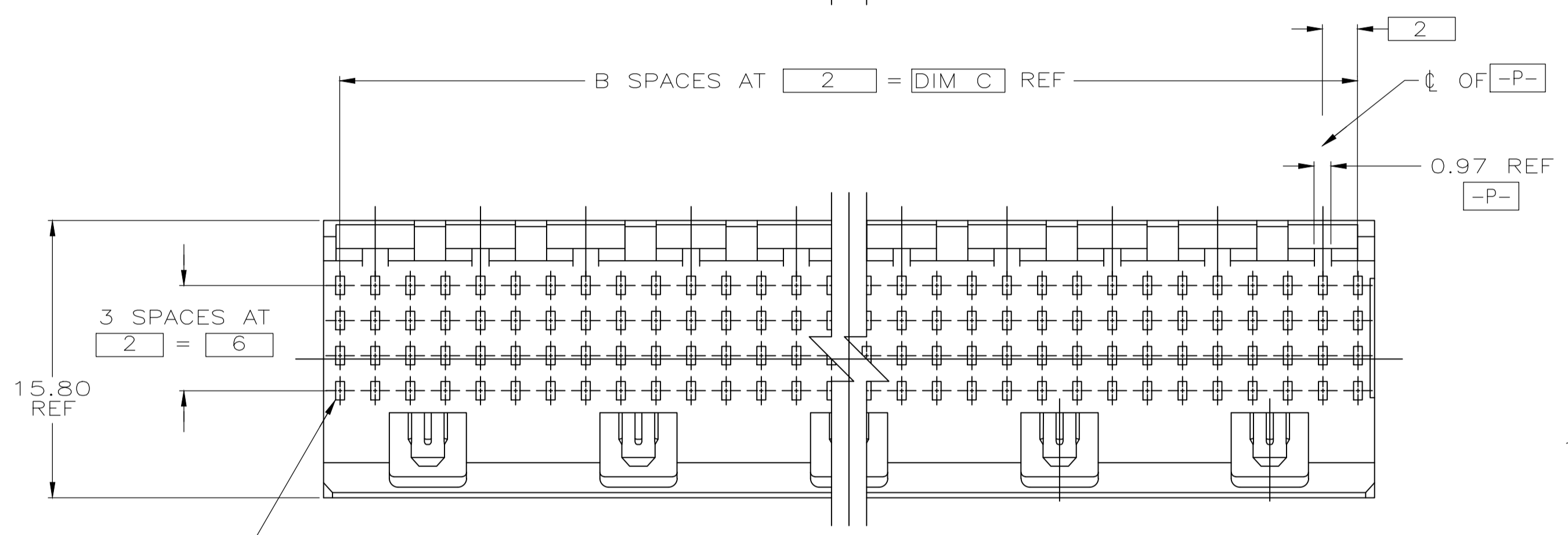


REVISIONS				
P	LTR	DESCRIPTION	DATE	APPV
D		REVISED PER ECO-20-013368	27SEP2020	RZ HL



- ① HOUSING MATERIAL: LIQUID CRYSTAL POLYMER
COLOR: NATURAL.
- ② CONTACT MATERIAL: PHOSPHOR BRONZE PER UNS
ALLOY NO. C51100, TEMPER: H04.
- ③ CONTACT FINISH:(A)
UNDERPLATE (ENTIRE CONTACT):
0.00127 MIN NICKEL PER SAE-AMS-QQ-N-290
ON MATING SURFACES:
CONFORMS TO ALL TESTING SPECIFIED FOR TELCORDIA
UNCONTROLLED ENVIRONMENT.
ON LEADS:
0.00381 MIN MATTE TIN PER ASTM B 545 OVER UNDERPLATE.
LUBRICATION (MIN MATING SURFACES):
SURFACE CONDITIONER AFTER PLATING.
- ④ PART MARKING PER TE SPEC 115-9009 LOCATED APPROXIMATELY
AS SHOWN BETWEEN RIBS/SLOTS ON EITHER SIDE OF HOUSING AT
MANUFACTURER'S DISCRETION.
- ⑤ PART TO BE MARKED WITH DATE CODE ONLY.
- ⑥ OBSOLETE PARTS: OBSOLETE CIS STREAMLINING PER D.RENAUD/D.SINISI
- ⑦ TE OR TE CONNECTIVITY LOGO IS LOCATED.



SCALE 20:1

RECOMMENDED CIRCUIT PATTERN
PER IPC-D300 TYPE II, CLASS C
(COMPONENT SIDE)

	82	41	83.88	③	168	5223513-8
⑥ OBSOLETE	34	17	35.88	③	72	5223513-7
OBSOLETE	58	29	59.88	③	120	5223513-6
⑥ OBSOLETE	70	35	71.88	③	144	5223513-5
OBSOLETE	94	47	95.88	③	192	5223513-4
OBSOLETE	46	23	47.88	③	96	5223513-3
	22	11	23.88	③	48	5223513-2
⑤	10	5	11.88	③	24	5223513-1
	C	B	A	FINISH	NO OF POSN	PART NUMBER

THIS DRAWING IS A CONTROLLED DOCUMENT.

DIMENSIONS:	TOLERANCES UNLESS OTHERWISE SPECIFIED:	DIN B. MCMASTER 14DEC04	TE Connectivity
mm	0 PLC ± -	CHK R. WERTZ 14DEC04	ASSEMBLY, PIN, SIGNAL, RIGHT ANGLE, 4 ROW, Z-PACK 2mm FB
	1 PLC ± 0.13	APPV R. WERTZ 14DEC04	
	2 PLC ± 0.13	PRODUCT SPEC	
	3 PLC ± -	APPLICATION SPEC	
	4 PLC ± -		
	ANGLES ± -		
MATERIAL	FINISH	WEIGHT 0.000000	SIZE CAGE CODE DRAWING NO RESTRICTED TO
① ②	③	A1 00779 5223513	SCALE 4:1 SHEET 1 of 1 REV D
CUSTOMER DRAWING			

X-ON Electronics

Largest Supplier of Electrical and Electronic Components

Click to view similar products for [High Speed/Modular Connectors](#) category:

Click to view products by [TE Connectivity](#) manufacturer:

Other Similar products are found below :

[650827-1](#) [74040-1346](#) [1410191-1](#) [1410337-1](#) [1410368-3](#) [1410367-3](#) [1410971-4](#) [1467833-1](#) [2000877-1](#) [2000878-1](#) [2041314-1](#) [2065387-1](#)
[2187307-1](#) [163P](#) [1934290-1](#) [2000875-1](#) [2065799-1](#) [2065917-1](#) [2102736-2](#) [FSR-40](#) [2169868-2](#) [22354-8](#) [437-5040-000](#) [039-0246-000](#)
[0740618502](#) [0761601016](#) [73774-1000](#) [030-2415-003/100 PK](#) [030-7380-004](#) [030-2494-001](#) [532939-1](#) [5532901-3](#) [3-1469268-7](#) [UMK-SE](#)
[11,25-1](#) [74748-102LF](#) [10041743-101LF](#) [10066670-100002LF](#) [1-533915-1](#) [249-4515-000](#) [7-1469373-3](#) [DL2-2J/S](#) [2000713-8](#) [2000713-7](#)
[10124313-101LF](#) [1410189-2](#) [3011-21](#) [EBTF-4-10-2.0-S-RA-1](#) [430305-001](#) [4395800100](#) [8140115](#)