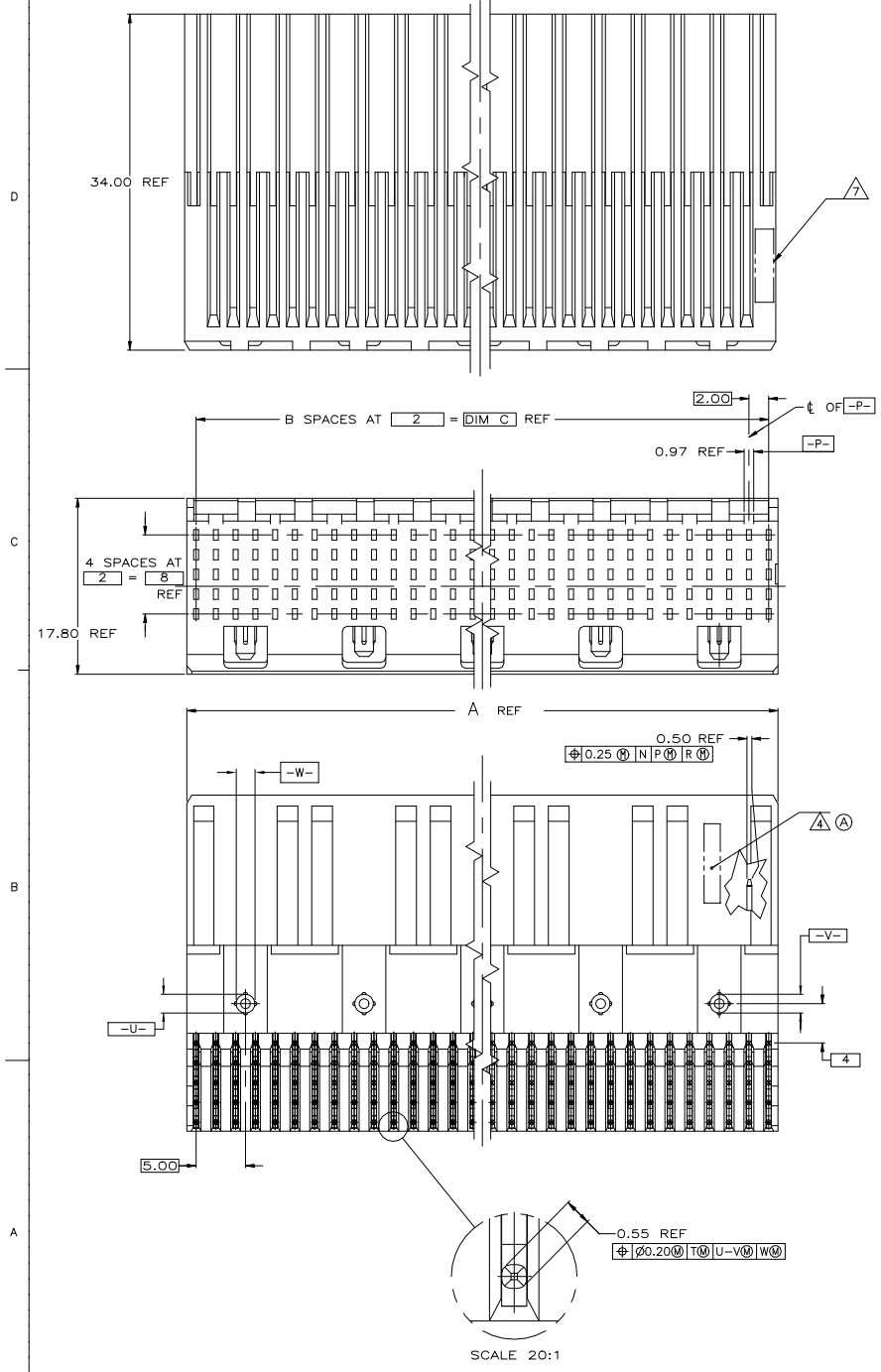
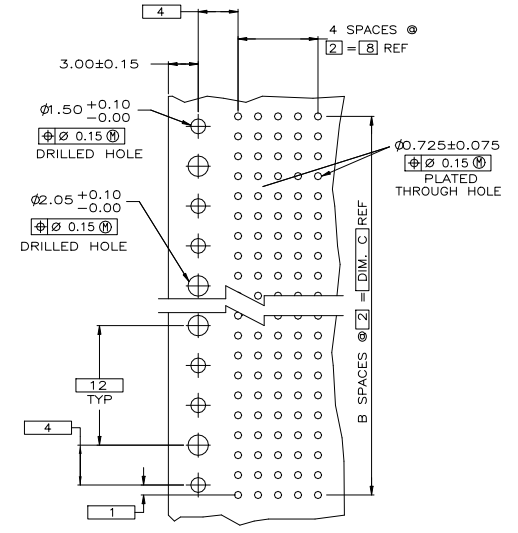
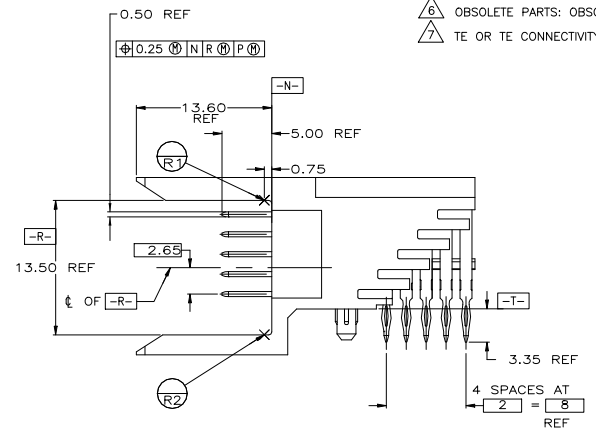


REVISIONS				
P	LNK	DESCRIPTION	DATE	BY / APP
C		REVISED PER ECO-20-013368	25SEP2020	RZ / HL



- △ HOUSING MATERIAL: LIQUID CRYSTAL POLYMER
COLOR: NATURAL.
- △ CONTACT MATERIAL: PHOSPHOR BRONZE
- △ CONTACT FINISH:(C)
UNDERPLATE (ENTIRE CONTACT):
0.00127 MIN NICKEL PER SAE-AMS-QQ-N-290
ON MATING SURFACES:
CONFORMS TO ALL TESTING SPECIFIED FOR TELCORDIA
UNCONTROLLED ENVIRONMENT.
ON LEADS:
0.0005 MIN MATTE TIN PER ASTM B 545 OVER UNDERPLATE.
LUBRICATION (MIN MATING SURFACES):
SURFACE CONDITIONER AFTER PLATING.

- ⓐ PART MARKING PER TE SPEC 115-9009 LOCATED APPROXIMATELY AS SHOWN BETWEEN RIBS/SLOTS ON EITHER SIDE OF HOUSING AT MANUFACTURER'S DISCRETION.
- △ PART TO BE MARKED WITH DATE CODE ONLY.
- △ OBSOLETE PARTS: OBSOLETE CIS STREAMLINING PER D.RENAUD/D.SINISI
- △ TE OR TE CONNECTIVITY LOGO IS LOCATED.



RECOMMENDED CIRCUIT PATTERN
PER IPC-D300 TYPE II, CLASS C
(COMPONENT SIDE)

OBSOLETE	82	41	83.88	△	210	5223524-7
	70	35	71.88	△	180	5223524-6
△ OBSOLETE	58	29	59.88	△	150	5223524-5
	46	23	47.88	△	120	5223524-4
△ OBSOLETE	34	17	35.88	△	90	5223524-3
	22	11	23.88	△	60	5223524-2
	10	5	11.88	△	30	5223524-1
	C	B	A	FINISH	NO. OF POSN	PART NUMBER

THIS DRAWING IS A CONTROLLED DOCUMENT.

DESIGNER: B. MICMASTER	DATE: 14DEC04	REVISED BY: R. WERTZ	DATE: 14DEC04
DESIGNER: R. WERTZ	DATE: 14DEC04	REVISED BY: R. WERTZ	DATE: 14DEC04
PRODUCT SPEC: ASSEMBLY, PIN HEADER, RIGHT ANGLE, 5 ROW, 2-PACK 2mm FB, PRESS FIT LEADS	SIZE: A1	ONE CODE: 00779	DRAWING NO: C-5223524
MATERIAL: 0.000000	WEIGHT: 0.000000	REVISIONS: A1	RESTRICTED TO: ---
CUSTOMER DRAWING	SCALE: 4:1	SHEET: 1	REV: C

X-ON Electronics

Largest Supplier of Electrical and Electronic Components

Click to view similar products for [Hard Metric Connectors](#) category:

Click to view products by [TE Connectivity](#) manufacturer:

Other Similar products are found below :

[6345127-1](#) [646916-9](#) [6469658-1](#) [973108](#) [1-2000713-0](#) [1-2000713-2](#) [1-2000713-3](#) [1645343-1](#) [1645456-1](#) [1645594-1](#) [1645595-1](#) [1645601-1](#)
[1934822-1](#) [278071110010833](#) [1645179-1](#) [1645245-1](#) [1645457-1](#) [1645525-1](#) [1645570-1](#) [1645596-1](#) [17041102202](#) [1857470-1](#) [1934275-1](#)
[1934289-1](#) [1934759-1](#) [2000673-1](#) [2170292-2](#) [2-536642-6](#) [3-106015-1](#) [352188-1](#) [352629-1](#) [5120823-1](#) [5120899-1](#) [3-100145-0](#) [3-100147-0](#)
[3-100669-1](#) [3-106081-0](#) [HM2DK2368PLF](#) [5646530-1](#) [3-352049-0](#) [3-352069-0](#) [3-352115-0](#) [3-352638-0](#) [352189-1](#) [3-646357-0](#) [3-646487-0](#)
[3-646513-0](#) [106726-1](#) [114352](#) [114619](#)