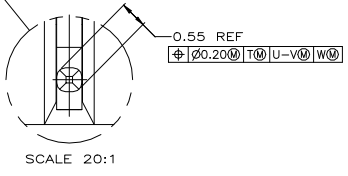
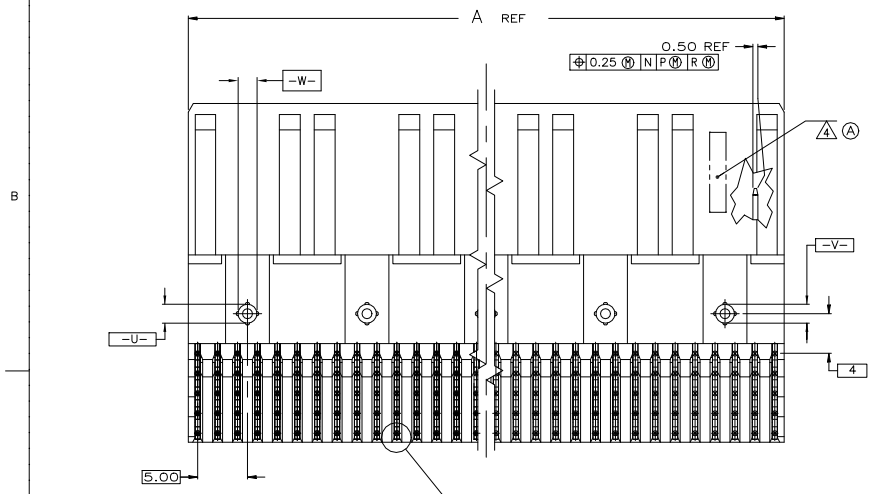
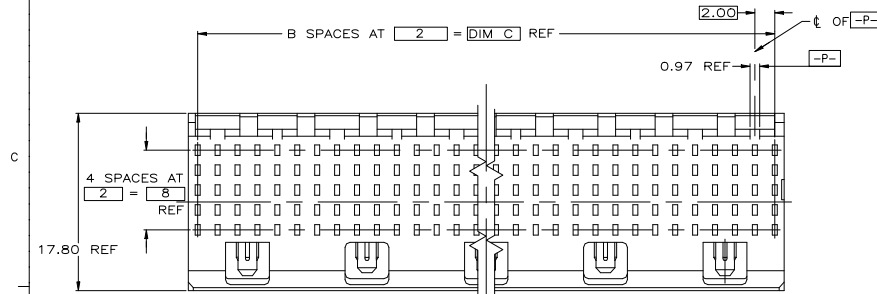
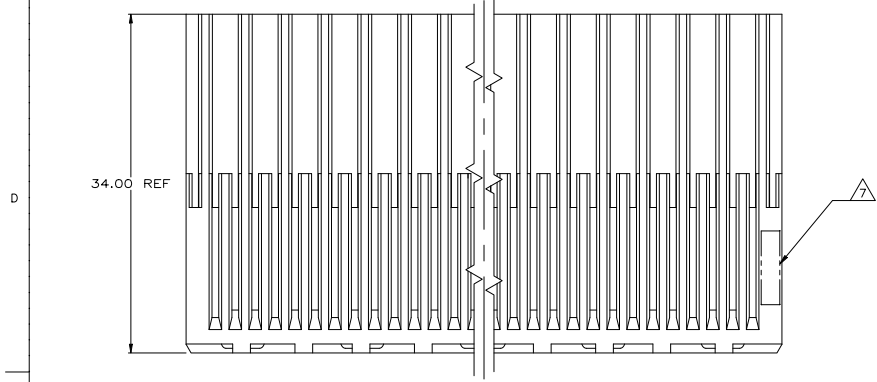


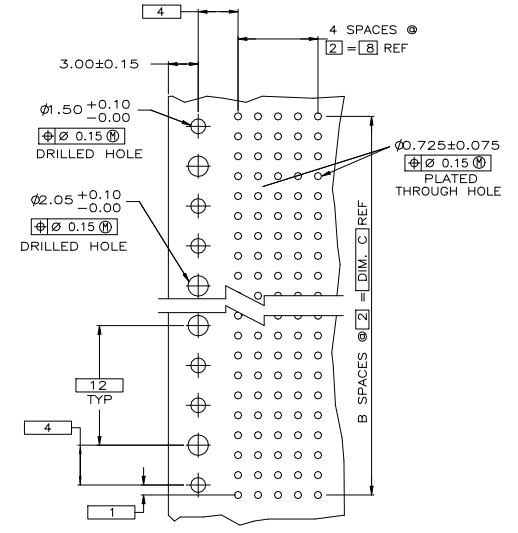
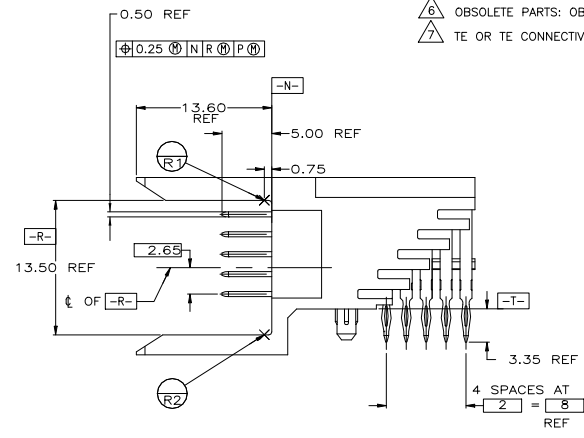
REVISIONS				
P	LNK	DESCRIPTION	DATE	BY/APP
C		REVISED PER ECO-20-013368	25SEP2020	RZ/HL



SCALE 20:1

- △ HOUSING MATERIAL: LIQUID CRYSTAL POLYMER
COLOR: NATURAL.
- △ CONTACT MATERIAL: PHOSPHOR BRONZE
- △ CONTACT FINISH:(C)
UNDERPLATE (ENTIRE CONTACT):
0.00127 MIN NICKEL PER SAE-AMS-QQ-N-290
ON MATING SURFACES:
CONFORMS TO ALL TESTING SPECIFIED FOR TELCORDIA
UNCONTROLLED ENVIRONMENT.
ON LEADS:
0.0005 MIN MATTE TIN PER ASTM B 545 OVER UNDERPLATE.
LUBRICATION (MIN MATING SURFACES):
SURFACE CONDITIONER AFTER PLATING.

- Ⓐ PART MARKING PER TE SPEC 115-9009 LOCATED APPROXIMATELY AS SHOWN BETWEEN RIBS/SLOTS ON EITHER SIDE OF HOUSING AT MANUFACTURER'S DISCRETION.
- △ PART TO BE MARKED WITH DATE CODE ONLY.
- △ OBSOLETE PARTS: OBSOLETE CIS STREAMLINING PER D.RENAUD/D.SINISI
- △ TE OR TE CONNECTIVITY LOGO IS LOCATED.



RECOMMENDED CIRCUIT PATTERN
PER IPC-D300 TYPE II, CLASS C
(COMPONENT SIDE)

OBSOLETE	82	41	83.88	△	210	5223524-7
	70	35	71.88	△	180	5223524-6
△ OBSOLETE	58	29	59.88	△	150	5223524-5
	46	23	47.88	△	120	5223524-4
△ OBSOLETE	34	17	35.88	△	90	5223524-3
	22	11	23.88	△	60	5223524-2
	10	5	11.88	△	30	5223524-1
	C	B	A	FINISH	NO. OF POSN	PART NUMBER

THIS DRAWING IS A CONTROLLED DOCUMENT. **TE CONNECTIVITY**

DESIGNER: R. WERTZ	DATE: 14DEC04	NAME: ASSEMBLY, PIN HEADER, RIGHT ANGLE, 5 ROW, 2-PACK 2mm FB, PRESS FIT LEADS
APPRAISER: R. WERTZ	DATE: 14DEC04	SIZE: A1
APPLICATION SPEC: ---	DATE CODE: 000000	DRAWING NO: 00779
MATERIAL: ---	WEIGHT: 0.000000	REV: C
FINISH: ---	CUSTOMER DRAWING: ---	SHEET: 1 OF 1

X-ON Electronics

Largest Supplier of Electrical and Electronic Components

Click to view similar products for [Hard Metric Connectors](#) category:

Click to view products by [TE Connectivity](#) manufacturer:

Other Similar products are found below :

[10146110-VR5C](#) [6345127-1](#) [646916-9](#) [853016](#) [973108](#) [1-2000676-2](#) [1-2000713-0](#) [1-2000713-2](#) [1-2000713-3](#) [134187](#) [1645343-1](#) [1645456-1](#) [1645601-1](#) [1934822-1](#) [223085-1](#) [278071110010833](#) [1645245-1](#) [1645525-1](#) [1645570-1](#) [1645596-1](#) [1857470-1](#) [1934275-1](#) [1934289-1](#) [1934759-1](#) [2000673-1](#) [204975](#) [2170292-2](#) [2-536642-6](#) [3-100668-0](#) [352188-1](#) [352629-1](#) [3-646346-0](#) [3-646457-0](#) [3-646529-0](#) [5120823-1](#) [5120899-1](#) [3-100145-0](#) [3-100147-0](#) [3-100669-1](#) [HM2DK2368PLF](#) [5646530-1](#) [3-352049-0](#) [3-352069-0](#) [3-352115-0](#) [3-352638-0](#) [352189-1](#) [3-646357-0](#) [3-646487-0](#) [3-646513-0](#) [51208191](#)