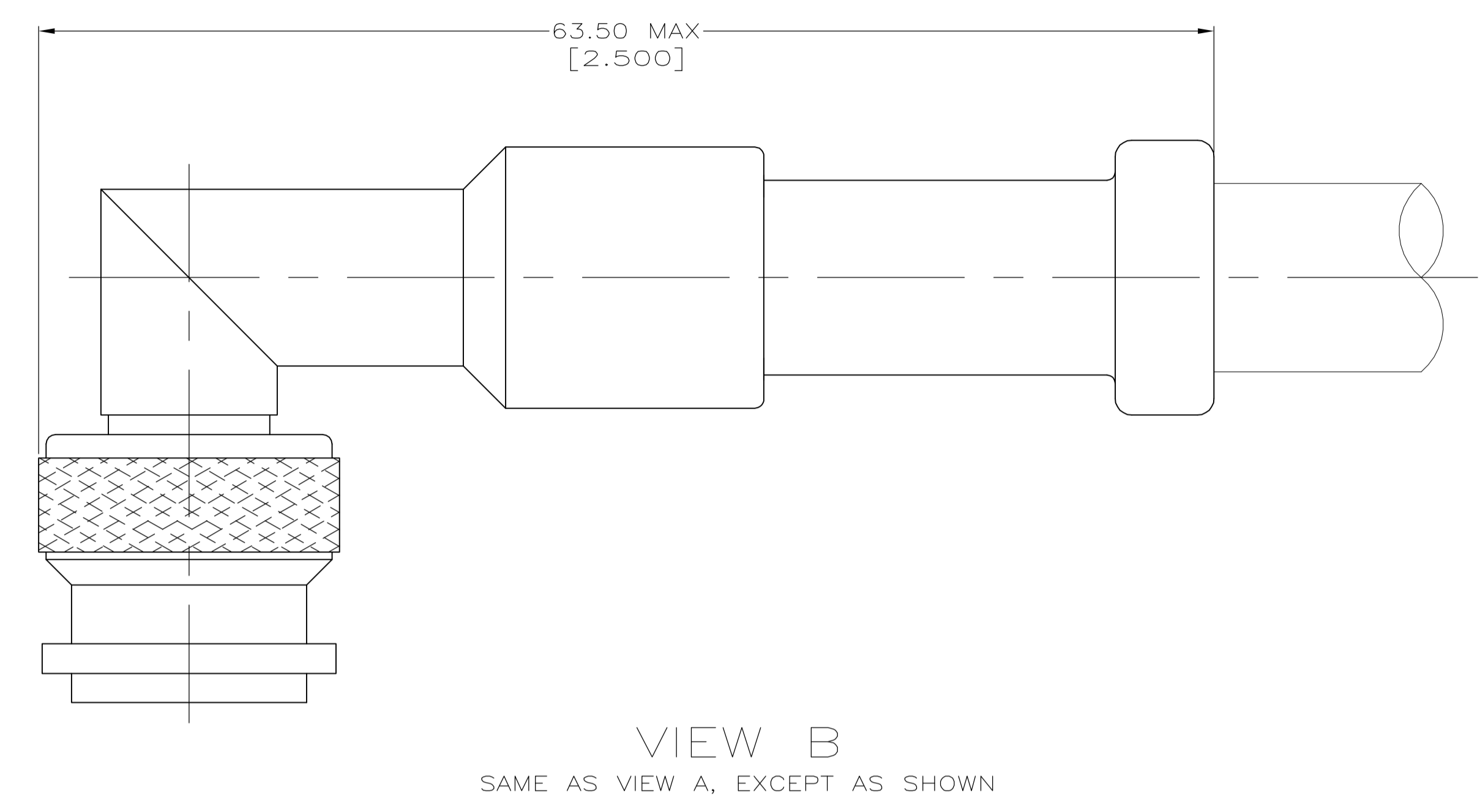
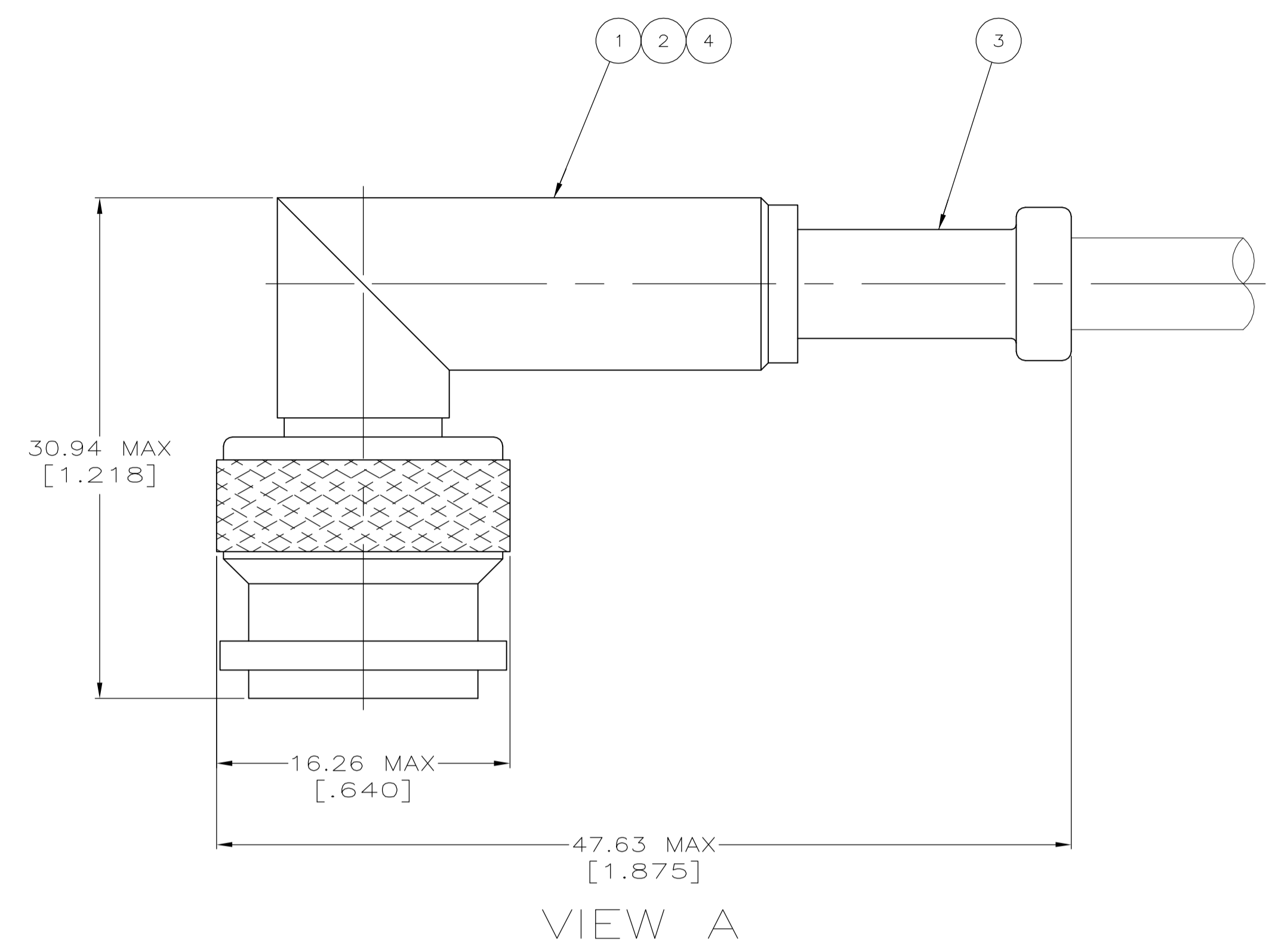
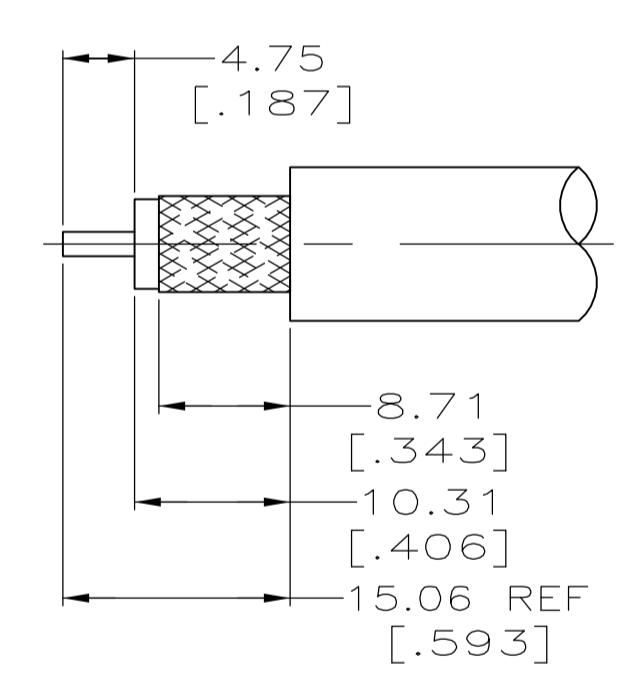


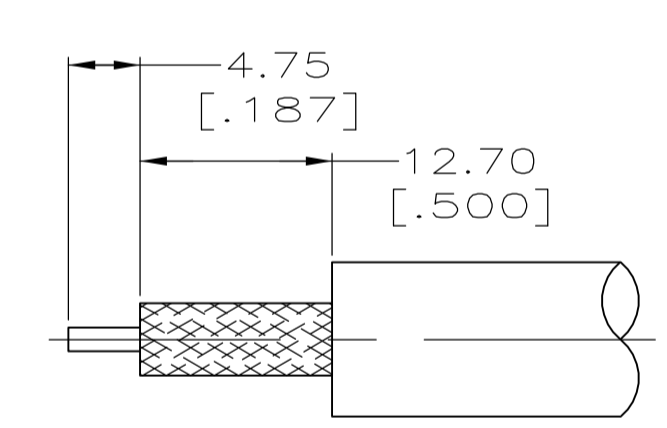
1. USE INSTRUCTION SHEET 408-2299-5.



VIEW B
 SAME AS VIEW A, EXCEPT AS SHOWN



RECOMMENDED STRIP LENGTH
 NO SCALE
 FOR 5225554-2 AND 5225554-6



RECOMMENDED STRIP LENGTH
 NO SCALE
 FOR 5225554-9 AND 1-5225554-1

RG-393/U	220015-1	332022	9-225490-1	225471-7	9-225518-0	B	1-5225554-1
RG-9/U, 9A/U & 214/U	220015-1	332022	9-331987-3	225599-1	9-225518-0	B	5225554-9
RG-142/U, 142A/U, 142B/U	220045-2	-	9-225560-4	225471-3	9-225518-2	A	5225554-6
RG-58A/U, 58C/U	220045-2	-	9-225560-5	225471-1	9-225518-1	A	5225554-2
CABLE	CRIMP TOOL	④ SEAL QTY=1	③ FERRULE QTY=1	② CONTACT QTY=1	① PLUG ASSEMBLY QTY=1	VIEW	PART NUMBER

THIS DRAWING IS A CONTROLLED DOCUMENT.

DIMENSIONS: mm [INCHES]	TOLERANCES UNLESS OTHERWISE SPECIFIED:	DIN A FERNANDEZ-DUCKS	18APR2005	tyco Electronics	Tyco Electronics Corporation Harrisburg, PA 17105-3608
0 PLC ± -	1 PLC ± -	CHK J. HAVENER	18APR2005	NAME	
2 PLC ± 0.41 [016]	3 PLC ± -	APVD J. LIPPERT	18APR2005	PRODUCT SPEC	108-12001
4 PLC ± -	ANGLES ± -	FINISH		APPLICATION SPEC	
MATERIAL		SIZE	A1	WEIGHT	00779
		SCALE	4:1	DRAWING NO	5225554
		RESTRICTED TO		CUSTOMER DRAWING	
		SHEET	1 of 1	REV	A

X-ON Electronics

Largest Supplier of Electrical and Electronic Components

Click to view similar products for [RF Connectors / Coaxial Connectors](#) category:

Click to view products by [TE Connectivity](#) manufacturer:

Other Similar products are found below :

[R125315120](#) [8915-1511-000](#) [89674-0827](#) [5916-1103-603](#) [0106-001-000](#) [6-0001-3](#) [6001-7071-019](#) [6002-7051-003](#) [6002-7551-202](#) [6059674-1](#) [619550-1](#) [630059-000](#) [M39012/25-0021](#) [M39012/79-3008](#) [M39030/3-01N](#) [M39030/3-03N](#) [M3933/25-36N](#) [6500-7071-046](#) [6501-1071-002](#) [M83723/72W2457N](#) [6769](#) [CX050L2AQ](#) [7002-1541-010](#) [7002-1572-002](#) [7003-1572-002](#) [7004-1512-000](#) [7009-1511-004](#) [7010-1511-000](#) [7029-1511-060](#) [7101-1541-010](#) [7101-1571-002](#) [7105-1521-002](#) [7145-1521-002](#) [7209-1511-011](#) [7210-1511-012](#) [7210-1511-015](#) [7210-1511-019](#) [7210-1511-040](#) [7225-1512-050](#) [7242-1511-000](#) [73137-5015](#) [73251-0111](#) [73251-0672](#) [73276-1501](#) [73366-0013](#) [73404-2300](#) [73413-6080](#) [734151610](#) [73415-5721](#) [7405-1521-005](#)