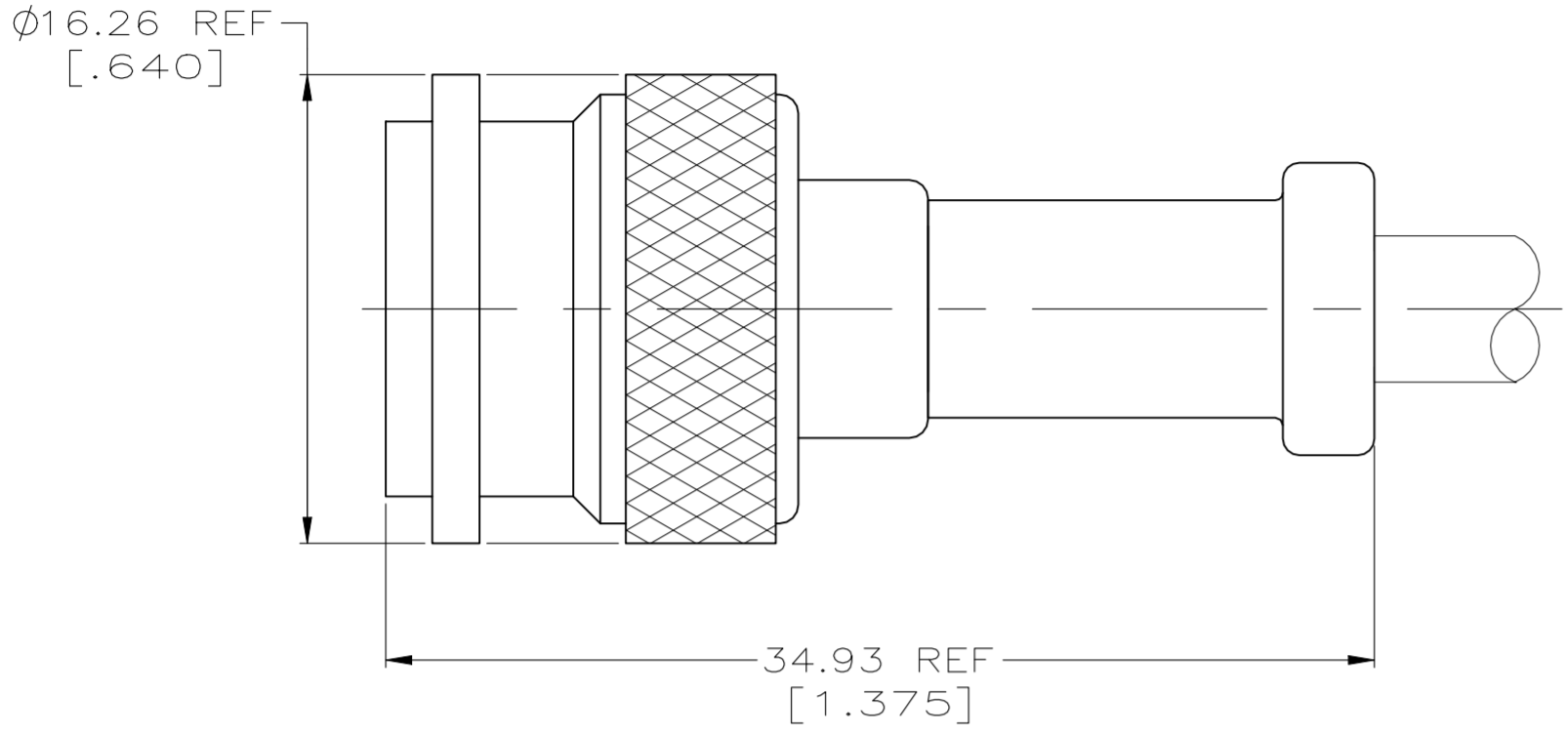
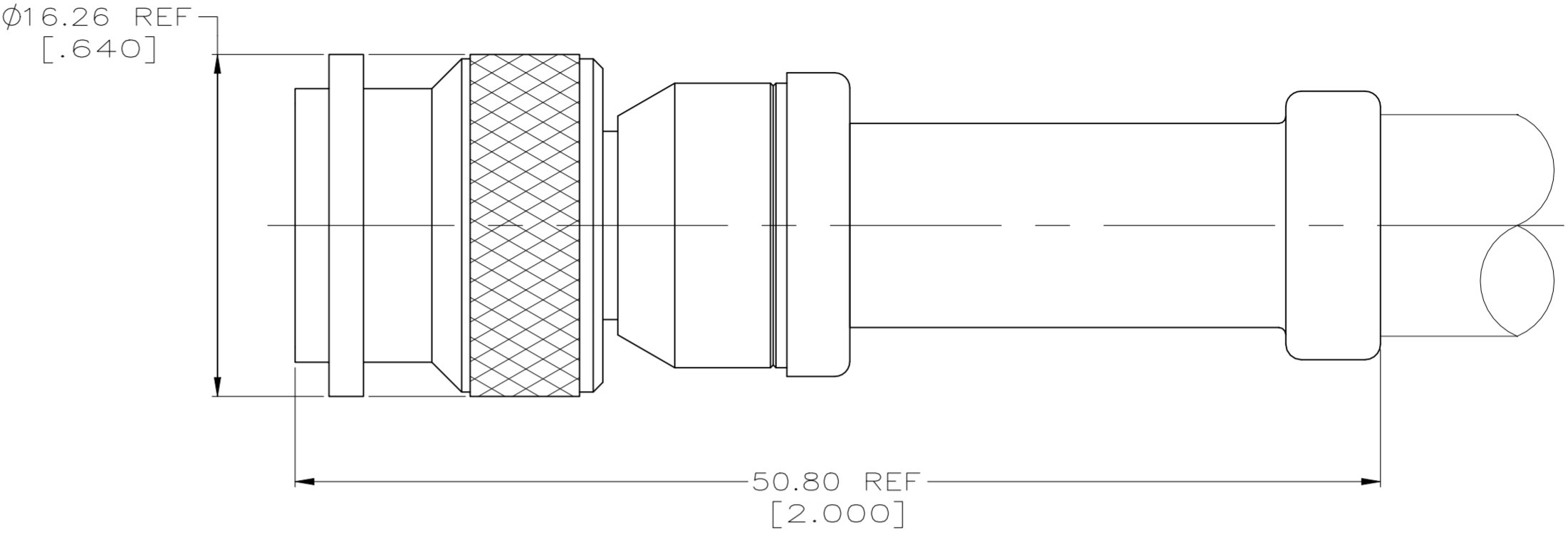


REVISIONS					
P	LTR	DESCRIPTION	DATE	DWN	APVD
P1		REVISED PER ECN-21-122181	26OCT2021	RZ	WK

1. SEE I.S. 2299-1



VIEW X



VIEW Y

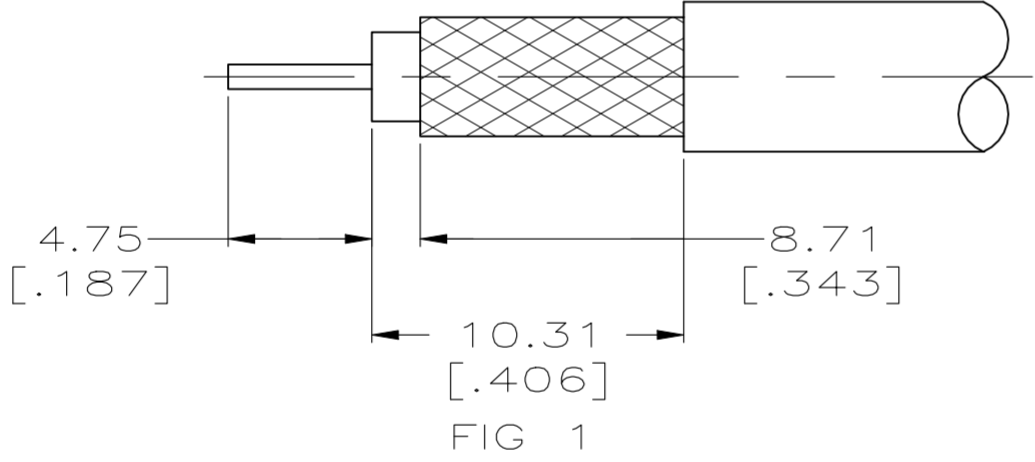


FIG 1

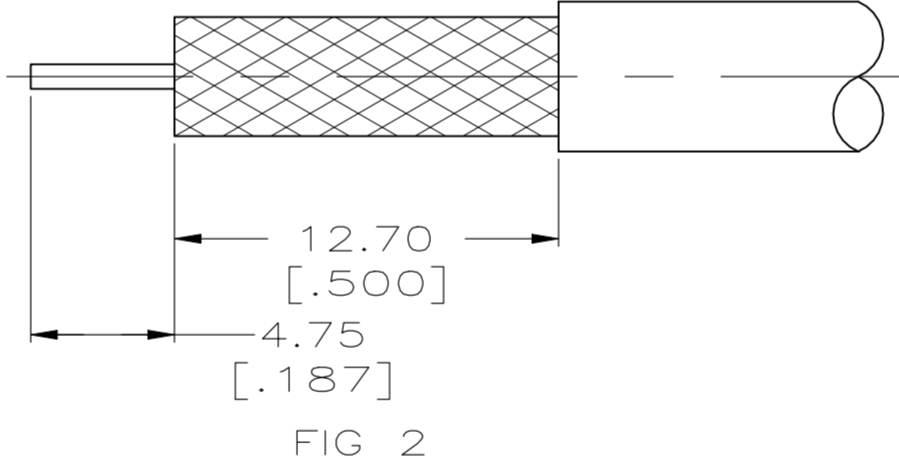


FIG 2

RECOMMENDED STRIP LENGTH

RG-9/U, 9A/U, 9B/U, 214/U	2	220015-1	332022	9-331987-1	225596-2	5-225593-0	Y	5225555-8
RG-8/U, 8A/U, 213/U	2	220015-1	332022	9-331987-0	225596-2	5-225593-0	Y	5225555-7
RG-142/U, 142A/U, 142B/U	1	220045-2	225592-2	9-225560-0	225467-6	225457-2	X	5225555-6
RG-141/U, 141A/U	1	220045-2	225592-1	9-225560-1	225467-6	225457-2	X	5225555-5
RG-58A/U, 58C/U	1	220045-2	225592-1	9-225560-1	225467-2	225457-2	X	5225555-2

FOR USE WITH CABLE	FIGURE	CRIMP TOOL	④	SEAL QTY=1	③	FERRULE QTY=1	②	CONTACT QTY=1	①	PLUG ASSEMBLY QTY=1	VIEW	PART NUMBER
--------------------	--------	------------	---	---------------	---	------------------	---	------------------	---	------------------------	------	-------------

THIS DRAWING IS A CONTROLLED DOCUMENT.

DIMENSIONS: mm [INCHES]	TOLERANCES UNLESS OTHERWISE SPECIFIED: 0 PLC ± - 1 PLC ± - 2 PLC ± .025 [.010] 3 PLC ± - 4 PLC ± - ANGLES ± -	FINISH	MATERIAL

DWN A. FERNANDEZ-DOCK5 31JAN2005	CHK J. HAVENER 31JAN2005	APVD J. LIPPERT 31JAN2005	PRODUCT SPEC	APPLICATION SPEC	WEIGHT 0.000000	CUSTOMER DRAWING
--	--------------------------------	---------------------------------	--------------	------------------	--------------------	------------------

STE TE Connectivity

PLUG, DUAL CRIMP, TNC

SIZE A2	CAGE CODE 00779	DRAWING NO C=5225555	RESTRICTED TO
SCALE 4:1	SHEET 1 of 1	REV P1	

X-ON Electronics

Largest Supplier of Electrical and Electronic Components

Click to view similar products for [RF Connectors / Coaxial Connectors](#) category:

Click to view products by [TE Connectivity](#) manufacturer:

Other Similar products are found below :

[8915-1511-000](#) [89674-0827](#) [6001-7071-019](#) [6002-7051-003](#) [6002-7551-202](#) [6059674-1](#) [619550-1](#) [630059-000](#) [M39030/3-01N](#) [6500-7071-046](#) [6769](#) [CX050L2AQ](#) [7002-1541-010](#) [7002-1542-011](#) [7004-1512-000](#) [7009-1511-004](#) [7010-1511-000](#) [7029-1511-060](#) [7101-1541-010](#) [7101-1571-002](#) [7145-1521-002](#) [7203-1571-003](#) [7209-1511-011](#) [7210-1511-015](#) [7210-1511-019](#) [73137-5015](#) [73216-2241](#) [73404-2300](#) [7405-1521-005](#) [7405-1521-802](#) [8527](#) [8547](#) [FS11V](#) [877931](#) [8808-1511-001](#) [9049-9513-000](#) [9074-9513-000](#) [9101-9573-002](#) [910A205F](#) [9130-9573-002](#) [PL11SC-026](#) [PL375-33](#) [PL40-5](#) [PL74C-221](#) [PL75MC-217](#) [PL803-7](#) [1200690078](#) [1-201144-1](#) [R107003010W](#) [R110A172100](#)