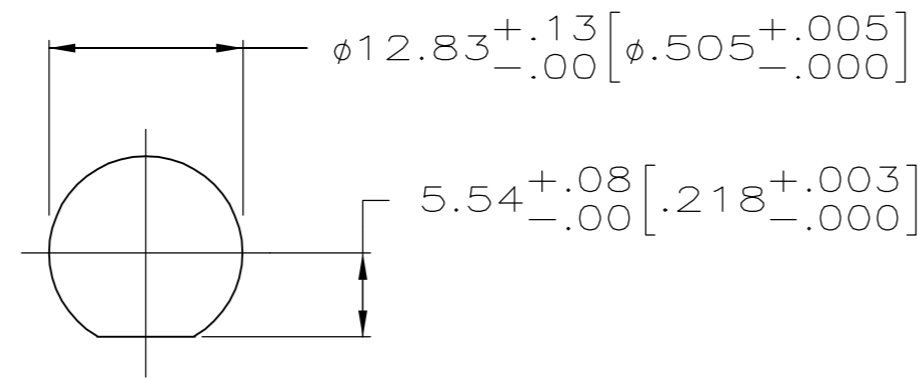
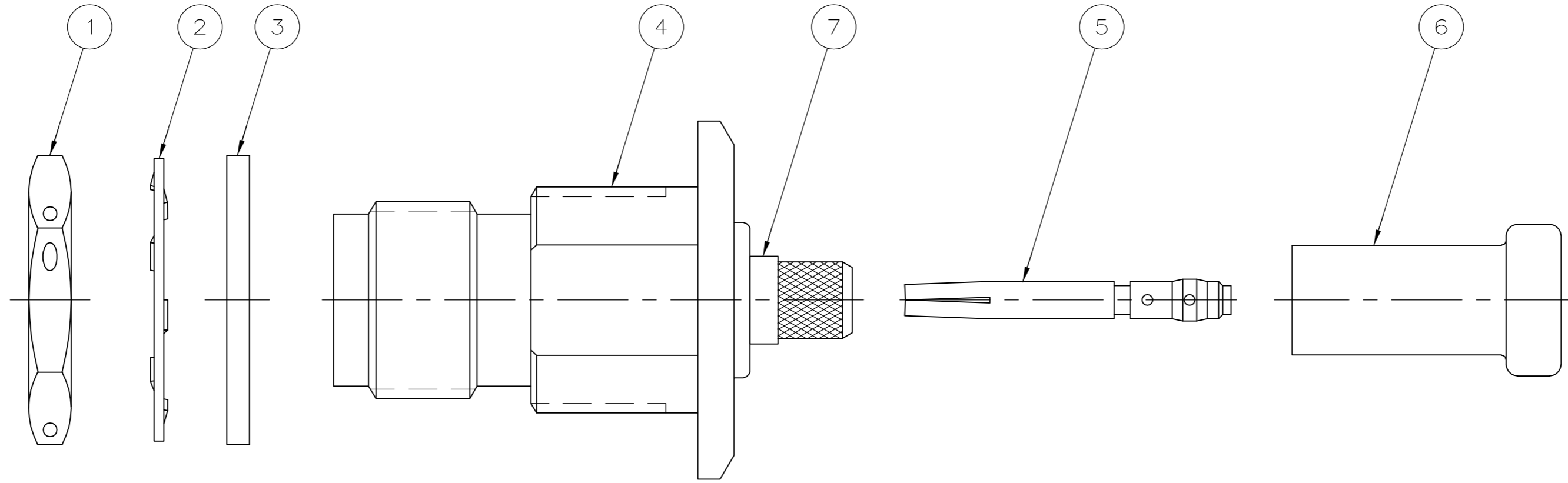


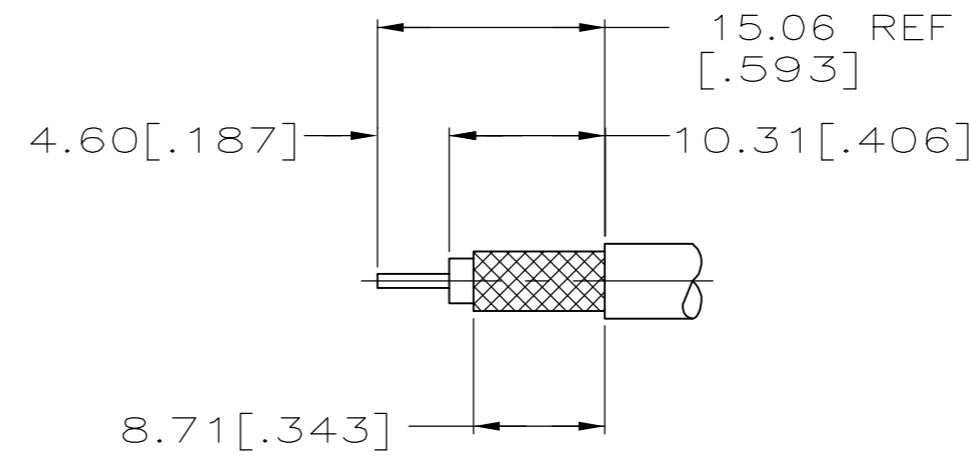
THIS DRAWING IS UNPUBLISHED. RELEASED FOR PUBLICATION
 © COPYRIGHT BY TYCO ELECTRONICS CORPORATION. ALL RIGHTS RESERVED.

Loc		DIST		REVISIONS			
P	LTR	DESCRIPTION		DATE	DWN	APVD	
		01		REVISED PER ECO-06-029986	22DEC2006	KS	JL

1. SEE IS 2299-3



RECOMMENDED PANEL CUTOUT



RECOMMENDED STRIP LENGTH

220045-2	RG-142/U & 142B/U	225592-1	9-225560-0	225471-6	225475-2	329633	1-329632-2	1-329631-2	5225557-6
220045-2	RG-58A/U & RG-58C/U	225592-1	9-225560-1	225471-4	225475-2	329633	1-329632-2	1-329631-2	5225557-2
CRIMP WITH TOOL	CABLE SIZE	⑦ SEAL QTY=1	⑥ FERRULE QTY=1	⑤ CONTACT QTY=1	④ JACK ASSY QTY=1	③ GASKET QTY=1	② LOCKWASHER QTY=1	① JAM NUT QTY=1	PART NUMBER

THIS DRAWING IS A CONTROLLED DOCUMENT.

DWN	31JAN2005	Tyco Electronics Corporation Harrisburg, PA 17105-3608
CHK	A. FERNANDEZ-DOCK5 31JAN2005	
APVD	J. HAVENER 31JAN2005	
APVD	J. LIPPERT 31JAN2005	
DIMENSIONS: MM [INCHES]		NAME
TOLERANCES UNLESS OTHERWISE SPECIFIED:		PRODUCT SPEC
0 PLC ± -		APPLICATION SPEC
1 PLC ± -		WEIGHT
2 PLC ± -		SCALE
3 PLC ± -		CAGE CODE
4 PLC ± -		DRAWING NO
ANGLES ± -		RESTRICTED TO
FINISH		SIZE
MATERIAL		00779
		C=5225557
		CUSTOMER DRAWING
		SCALE 4:1
		SHEET 1 OF 1
		REV 01

X-ON Electronics

Largest Supplier of Electrical and Electronic Components

Click to view similar products for [RF Connectors](#) / [Coaxial Connectors](#) category:

Click to view products by [TE Connectivity](#) manufacturer:

Other Similar products are found below :

[8915-1511-000](#) [89674-0827](#) [6001-7071-019](#) [6002-7051-003](#) [6002-7551-202](#) [6059674-1](#) [619550-1](#) [630059-000](#) [M39030/3-01N](#) [6500-7071-046](#) [6769](#) [CX050L2AQ](#) [7002-1541-010](#) [7002-1542-011](#) [7004-1512-000](#) [7009-1511-004](#) [7010-1511-000](#) [7029-1511-060](#) [7101-1541-010](#) [7101-1571-002](#) [7145-1521-002](#) [7203-1571-003](#) [7209-1511-011](#) [7210-1511-015](#) [7210-1511-019](#) [73137-5015](#) [73216-2241](#) [73404-2300](#) [7405-1521-005](#) [7405-1521-802](#) [8527](#) [8547](#) [FS11V](#) [877931](#) [8808-1511-001](#) [9049-9513-000](#) [9074-9513-000](#) [9101-9573-002](#) [910A205F](#) [9130-9573-002](#) [PL11SC-026](#) [PL375-33](#) [PL40-5](#) [PL74C-221](#) [PL75MC-217](#) [PL803-7](#) [1200690078](#) [1-201144-1](#) [R107003010W](#) [R110A172100](#)