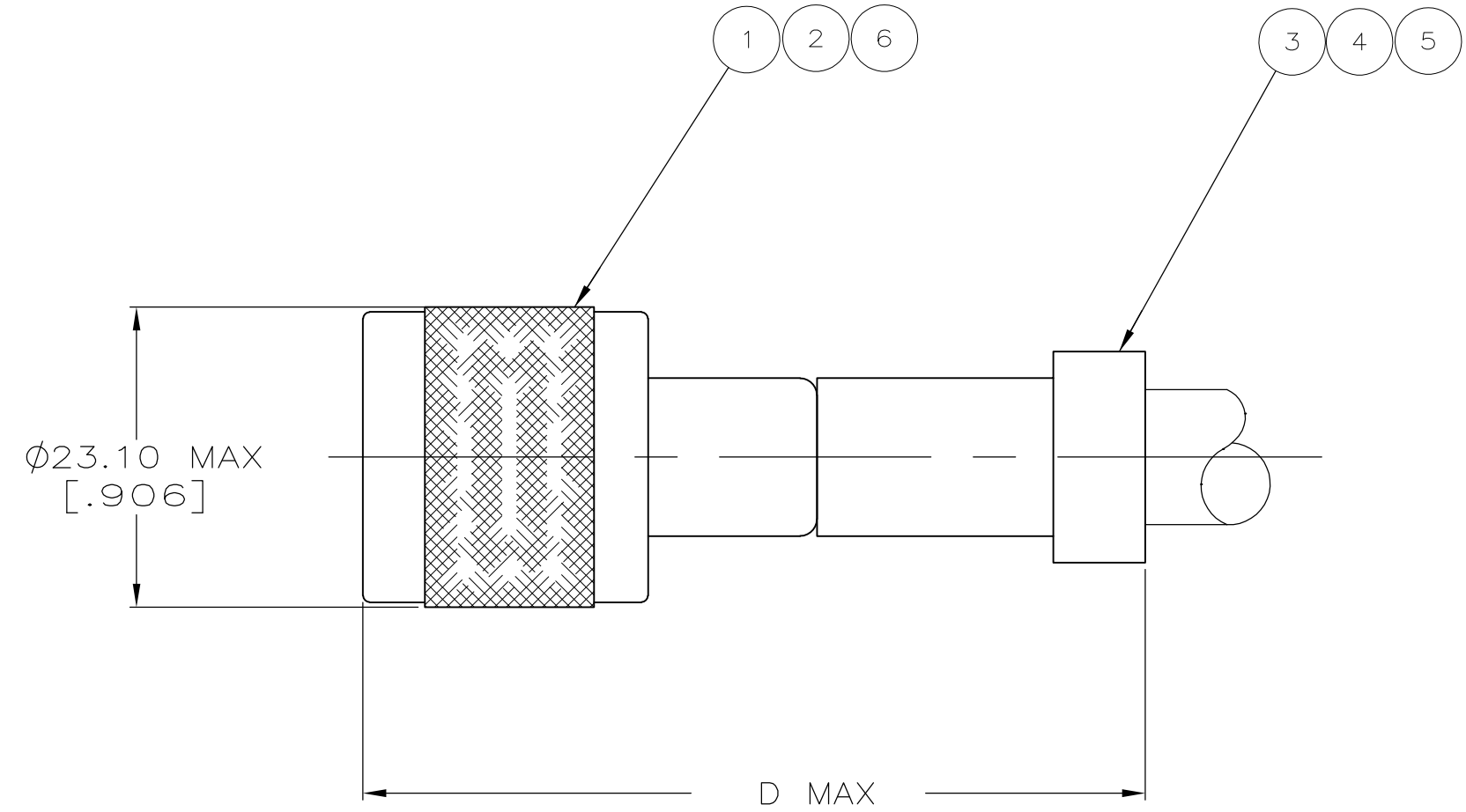
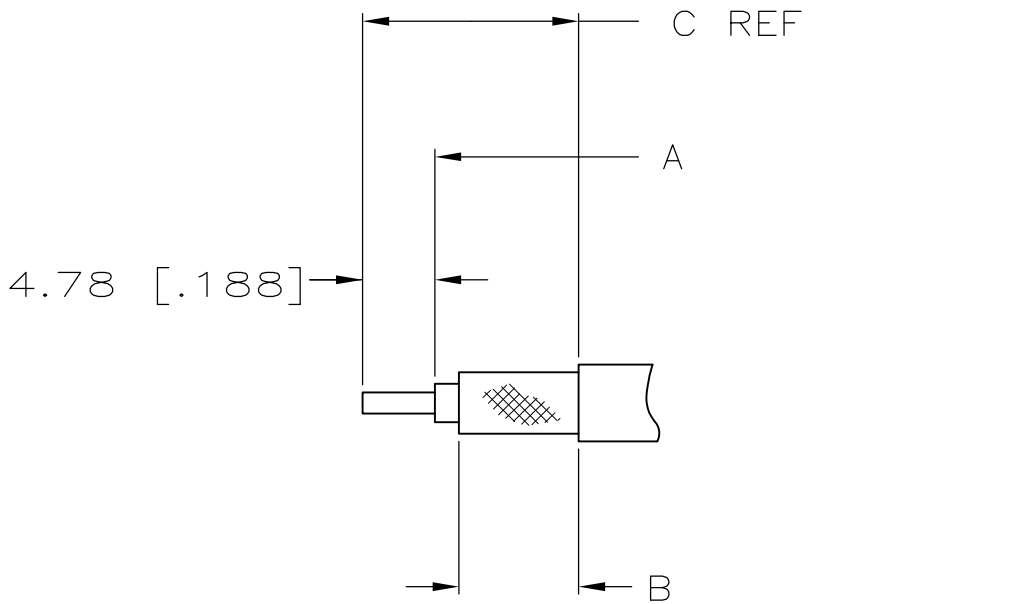


THIS DRAWING IS UNPUBLISHED. RELEASED FOR PUBLICATION  
 © COPYRIGHT BY TYCO ELECTRONICS CORPORATION. ALL RIGHTS RESERVED.

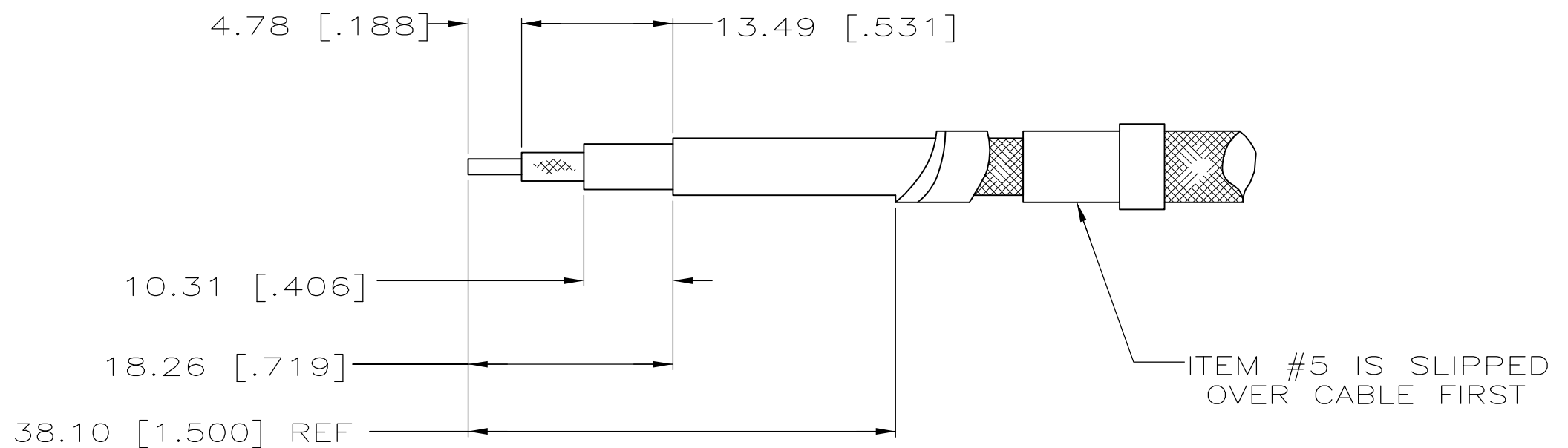
| LOC | DIST | REVISIONS   |                           |         |        |
|-----|------|-------------|---------------------------|---------|--------|
| P   | LTR  | DESCRIPTION | DATE                      | DWN     | APVD   |
| AJ  | 16   | A           | REV PER ECO 06-002539     | 06APR06 | GB JH  |
|     |      | A1          | REVISED PER ECO-09-024606 | 31OCT09 | KK AEG |



- 1 FOR USE WITH: RG-149/U, & 391/U STANDARD CABLE.
- 2 FOR USE WITH: RG-150/U, & 392/U ARMOR CABLE.
- 3 USE CRIMPING TOOL: 220015-1 FOR STANDARD CABLE.
- 4 USE CRIMPING TOOLS: 220015-1, & 220042-1 FOR ARMOR CABLE.
- 5 USE CRIMPING TOOL: 220045-3.
- 6. SEE INSTRUCTION SHEET 408-2338.
- 7 P/N 5225744-4 IS RATED AT 2300 VAC.
- 8 OBSOLETE PARTS: OBSOLETE CIS STREAMLINING PER D.RENAUD/D.SINISI



RECOMMENDED STRIP LENGTH FOR STANDARD COAX CABLE



RECOMMENDED STRIP LENGTH FOR ARMOR CABLE

|            |   |               |   |              |                       |                       |                 |                 |                   |             |
|------------|---|---------------|---|--------------|-----------------------|-----------------------|-----------------|-----------------|-------------------|-------------|
| 8 OBSOLETE | 7 | RG-59/U CABLE | 5 | 225592-3     | -                     | -                     | 9-225560-3      | 1-225343-0      | 9-227560-0        | 5225744-4   |
|            |   | 1 2 3 4       |   | -            | 225326-2              | 9-225325-0            | 1-331987-9      | 226719-2        | 9-225745-0        | 5225744-3   |
|            |   | FOR USE WITH  |   | 6 SEAL QTY=1 | 5 FERRULE ARMOR QTY=1 | 4 FERRULE BRAID QTY=1 | 3 FERRULE QTY=1 | 2 CONTACT QTY=1 | 1 PLUG ASSY QTY=1 | PART NUMBER |

|            |               |              |              |              |             |
|------------|---------------|--------------|--------------|--------------|-------------|
| 8 OBSOLETE | 53.59 [2.110] | 14.30 [.563] | 7.92 [.312]  | 9.53 [.375]  | 5225744-4   |
|            | 57.94 [2.281] | 22.25 [.876] | 12.70 [.500] | 17.48 [.688] | 5225744-3   |
|            | D             | C            | B            | A            | PART NUMBER |

THIS DRAWING IS A CONTROLLED DOCUMENT.

|                  |                    |           |   |
|------------------|--------------------|-----------|---|
| DWN              | J. ALCORTA - DOCK5 | 22APR2005 | Tyco Electronics Corporation<br>Harrisburg, PA 17105-3608 |
| CHK              | J. HAVENER         | 22APR2005 |   |
| APVD             | G. MICHAEL         | 22APR2005 |   |
| NAME             | A1                 |           |   |
| PRODUCT SPEC     | 108-12066          |           | PLUG, WEATHERPROOF, SERIES HN                             |
| APPLICATION SPEC | -                  |           |   |
| WEIGHT           | -                  | A2 00779  | SCALE 2:1 SHEET 1 of 1 REV A1                             |
| CUSTOMER DRAWING | -                  |           |   |

## X-ON Electronics

Largest Supplier of Electrical and Electronic Components

*Click to view similar products for [RF Connectors / Coaxial Connectors](#) category:*

*Click to view products by [TE Connectivity](#) manufacturer:*

Other Similar products are found below :

[R125315120](#) [8915-1511-000](#) [89674-0827](#) [5916-1103-603](#) [0106-001-000](#) [6-0001-3](#) [6001-7071-019](#) [6002-7051-003](#) [6002-7551-202](#) [6059674-1](#) [619550-1](#) [630059-000](#) [M39012/25-0021](#) [M39012/79-3008](#) [M39030/3-01N](#) [M39030/3-03N](#) [M3933/25-29N](#) [M3933/25-36N](#) [6500-7071-046](#) [6501-1071-002](#) [M83723/72W24576](#) [M83723/72W2457N](#) [6769](#) [CX050L2AQ](#) [7002-1541-010](#) [7002-1572-002](#) [7003-1572-002](#) [7004-1512-000](#) [7009-1511-004](#) [7010-1511-000](#) [7029-1511-060](#) [7101-1541-010](#) [7101-1571-002](#) [7105-1521-002](#) [7145-1521-002](#) [7209-1511-011](#) [7210-1511-012](#) [7210-1511-015](#) [7210-1511-019](#) [7210-1511-040](#) [7225-1512-050](#) [7242-1511-000](#) [73137-5015](#) [73251-0111](#) [73251-0672](#) [73276-1501](#) [73366-0013](#) [73404-2300](#) [73413-6080](#) [734151610](#)