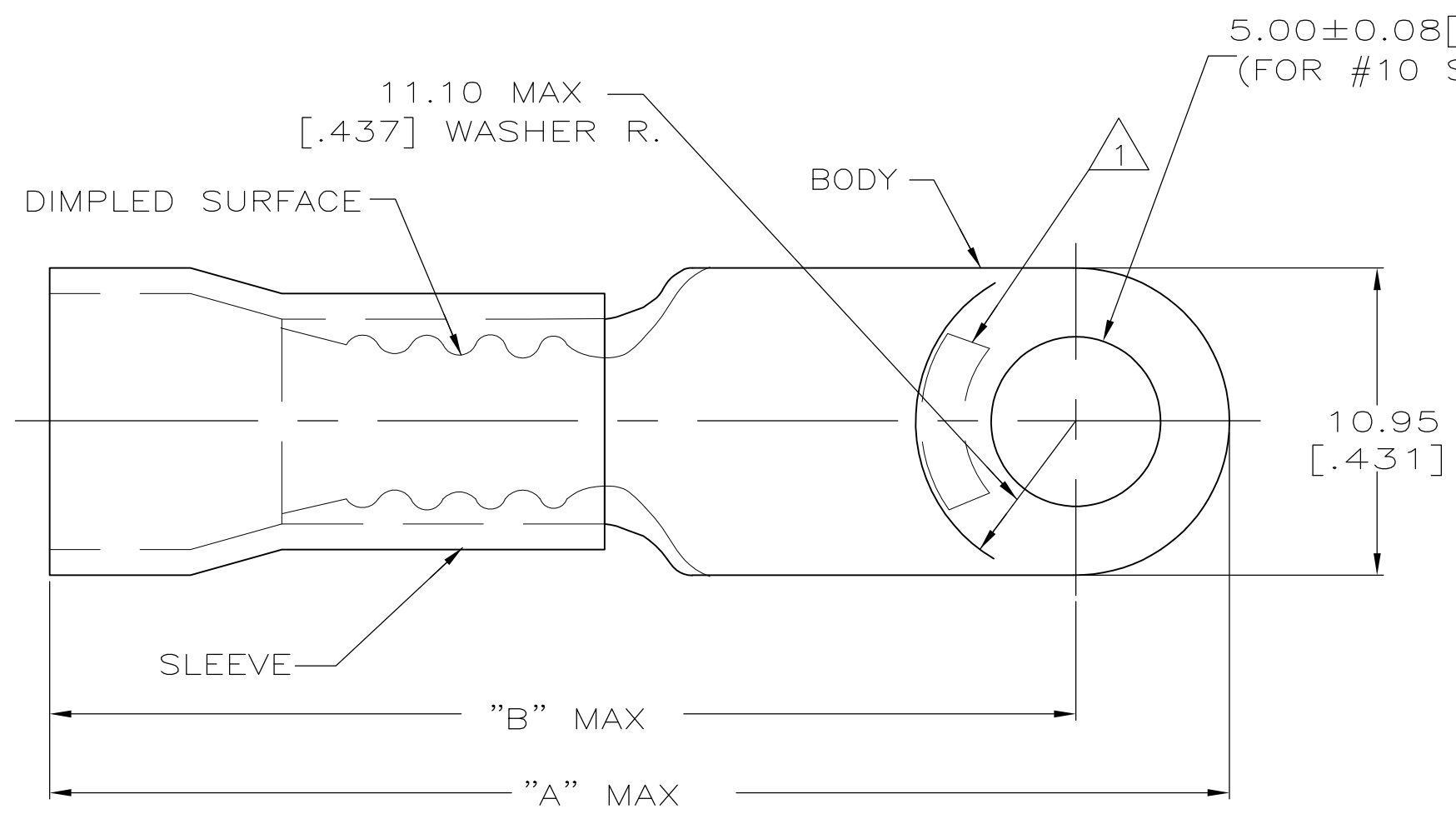


THIS DRAWING IS UNPUBLISHED. RELEASED FOR PUBLICATION
 © COPYRIGHT - By - ALL RIGHTS RESERVED.

LOC	DIST	REVISIONS					
G	14	P	LTR	DESCRIPTION	DATE	DWN	APVD
			R3	REVISED PER ECO-11-004587	07APR11	RK	HMR



AMP WIRE RANGE	RW FILE E13288	LR7189 Certified
8 AWG STRANDED	8 AWG STRANDED	8 AWG STRANDED

- ① STAMP AMP 8* LOCATE APPROX AS SHOWN
- 2 TONGUE MATERIAL THK 1.02±0.08[.040±.003]
- 3 SEE TABLE FOR WIRE INSULATION DIA MAX
- 4 TAPE ITEMS ARE ON 30.48[1.200] CENTERS

9.91 [.390]	33.99 [1.338]	39.52 [1.556]	100	LOOSE PC	52263-5
8.38 [.330]	34.49 [1.358]	40.03 [1.576]	500	ON TAPE	52263-4
9.14 [.360]	33.99 [1.338]	39.52 [1.556]			52263-2
8.38 [.330]	34.49 [1.358]	40.03 [1.576]	100	LOOSE PC	52263-1
9.14 [.360]	33.99 [1.338]	39.52 [1.556]			52263
WIRE INSULATION DIA	"B"	"A"	QTY	PACKAGE TYPE	PART NO

AMP INCORPORATED CUSTOMER SERVICE SYSTEMS		MAX RECOMMENDED OPERATING TEMPERATURE: 105° C
FOR ADDITIONAL PRODUCT INFORMATION OR COPIES OF DRAWINGS AND TECHNICAL DOCUMENTS	PRODUCT INFORMATION CENTER 1-800-522-6752	VOLTAGE RATING: 600 V MAX
FOR APPLICATION TOOLING INFORMATION	TOOLING ASSISTANCE CENTER 1-800-722-1111	CIRCULAR MIL AREA: 6.64-10.54mm ² [13,100-20,800] STRANDED
FOR ORDER ENTRY	1-800-526-5142	

THIS DRAWING IS A CONTROLLED DOCUMENT.	
DIMENSIONS: mm [INCHES]	TOLERANCES UNLESS OTHERWISE SPECIFIED:
	0 PLC ± -
	1 PLC ± -
	2 PLC ± 0.20[.008]
	3 PLC ± -
	4 PLC ± -
	ANGLES ± -
MATERIAL COPPER PER ASTM B-152 PVC, COLOR: RED	FINISH TIN PLATE PER ASTM-B545

DWN S.S. GOULDEN 9-29-93	STE TE Connectivity	
CHK R. HERSEY 9-29-93	NAME	
APVD B. BARE 9-29-93	TERMINAL, RING TONGUE, PLASTI-GRIP, WIRE SIZE: 8 AWG	
PRODUCT SPEC NOT AVAILABLE	SIZE	CAGE CODE
APPLICATION SPEC 114-2161	A3	00779
WEIGHT -	DRAWING NO	RESTRICTED TO
CUSTOMER DRAWING	C-52263	-
SCALE 4:1	SHEET 1 OF 1	REV R3

X-ON Electronics

Largest Supplier of Electrical and Electronic Components

Click to view similar products for [Terminals](#) category:

Click to view products by [TE Connectivity](#) manufacturer:

Other Similar products are found below :

[00-054007-01074-6](#) [00-054007-70206-1](#) [00-054007-70210-8](#) [00-054007-70217-7](#) [00-054007-70226-9](#) [00-054007-70228-3](#) [00-054007-70248-1](#) [00-054007-70256-6](#) [00-054007-70301-3](#) [00-054007-70316-7](#) [00-054007-49560-4](#) [00-054007-70209-2](#) [00-054007-70225-2](#) [00-054007-70227-6](#) [00-054007-70231-3](#) [00-054007-70241-2](#) [00-054007-70242-9](#) [00-054007-70244-3](#) [00-054007-70246-7](#) [00-054007-70263-4](#) [00-054007-70288-7](#) [00-054007-70290-0](#) [00-054007-70300-6](#) [00-054007-70304-4](#) [01-2065-1-0216](#) [01-2900-1-04412](#) [00581P0075](#) [600TS-10](#) [60205-1](#) [604200-1](#) [605601-1](#) [60598-1-CUT-TAPE](#) [61314-6-C](#) [61810-3](#) [61-S](#) [61-SN](#) [626-0194](#) [62-NBM-A](#) [62-SN](#) [62-SP](#) [63-S](#) [640179-1](#) [M55155/059I03](#) [M55155/079C01](#) [M55155/099H02](#) [M55155/109H01](#) [M55155/109H02](#) [M55155/12XH05](#) [M55155/16XH02](#) [M55155/29-5S](#)