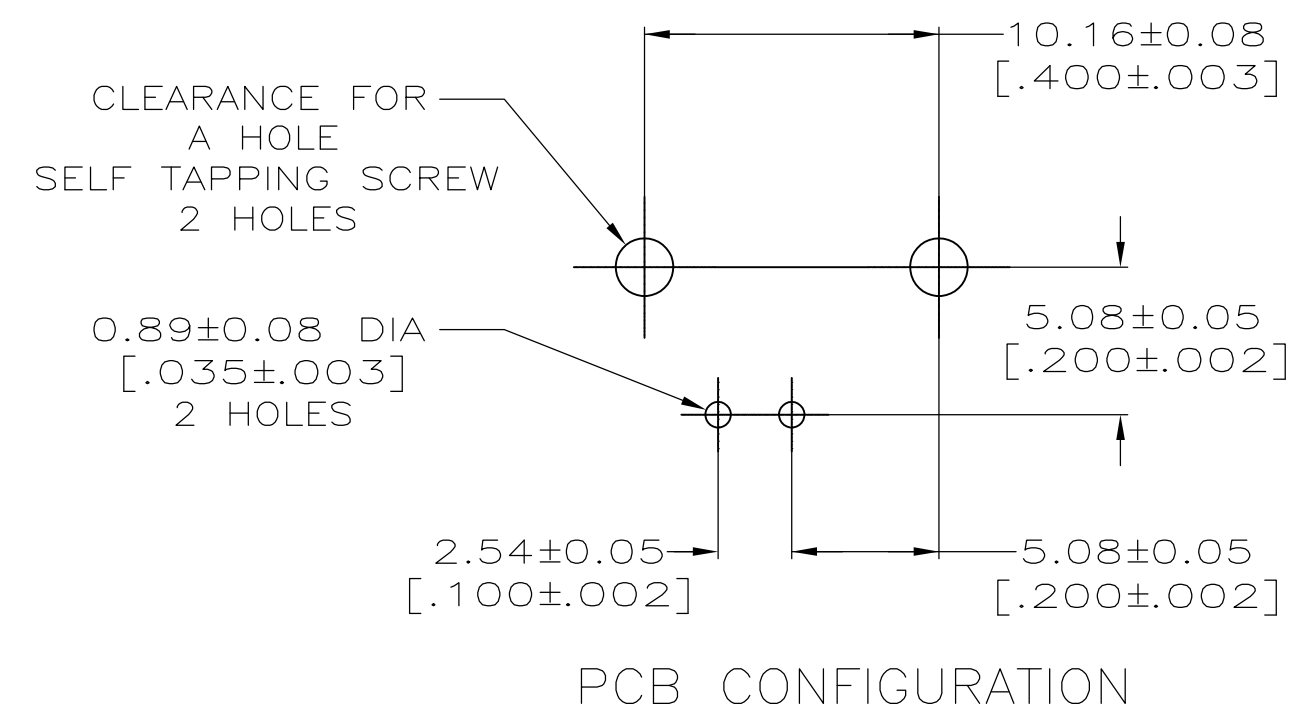
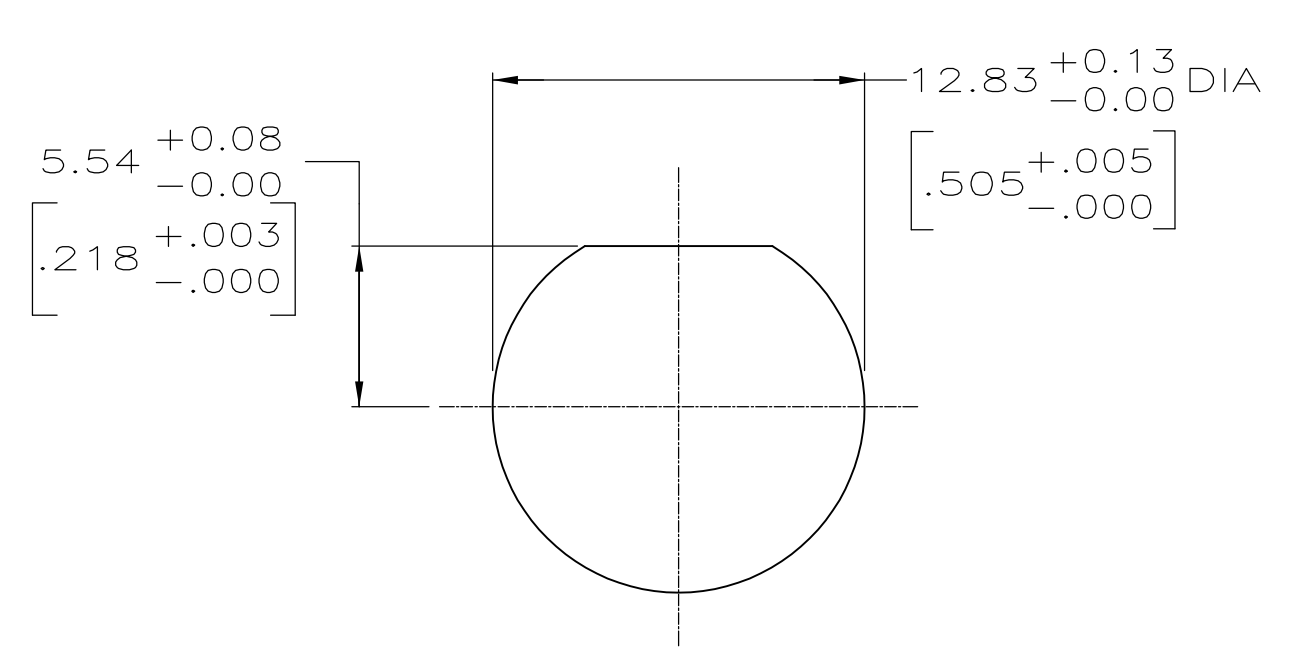
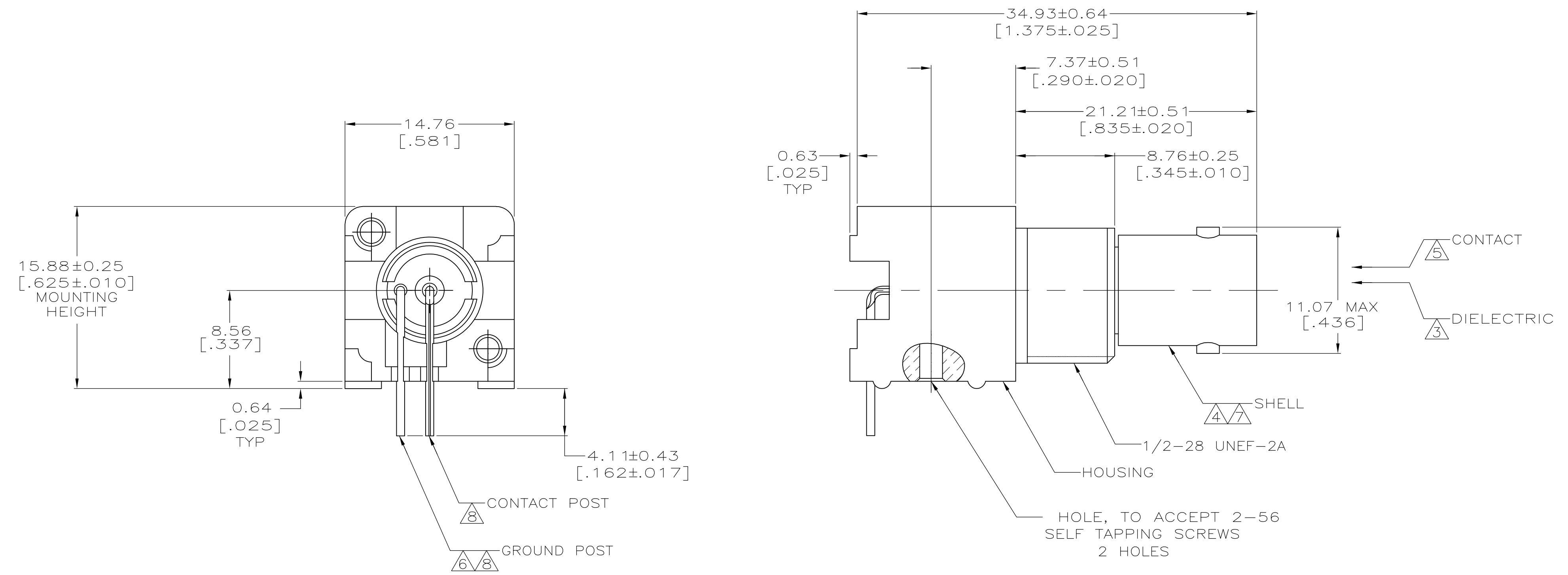


LOC	DIST	REVISIONS					
AJ	16	P	LTR	DESCRIPTION	DATE	DWN	APPD
		B1		REVISED PER ECO-11-005030	11MAR11	RK	HMR

- ① POLYESTER PBT PER MIL-M-24519, TYPE GPT-15F, UL94V-O RATED, COLOR:NATURAL
 - ② POLYESTER PBT PER MIL-M-24519, TYPE GPT-15F, UL94V-O RATED, COLOR:BLACK
 - ③ POLYMETHYLPENTENE, GENERAL PURPOSE.
 - ④ ZINC PER QQ-Z-363.
 - ⑤ PHOSPHOR BRONZE PER QQ-B-750.
 - ⑥ BRASS PER ASTM-B-453.
 - ⑦ NICKEL PLATE PER QQ-N-290, 3.81 μm [.000150] MINIMUM THICK.
 - ⑧ TIN PLATE PER ASTM-B-545, 3.81 μm [.000150] MINIMUM THICK.
 - ⑨ GOLD PLATE PER MIL-G-45204, 0.76 μm [.000030] MINIMUM THICK.
10. SEE INSTRUCTION SHEET 408-2769.



⑨	②	5226990-6
⑨	①	5226990-3
⑧	①	5226990-1
CONTACT PLATING	HOUSING MATERIAL	PART NUMBER

THIS DRAWING IS A CONTROLLED DOCUMENT.		DWN L. VARELA - DOCKS 20APR2005	NAME	JACK, PANEL, RIGHT ANGLE, 50 OHM, PCB, SERIES BNC	
DIMENSIONS: mm [INCHES]		CHK J. HAVENER 20APR2005	PRODUCT SPEC	108-12078	
TOLERANCES UNLESS OTHERWISE SPECIFIED:		APVD S. BURKHOLDER 20APR2005	APPLICATION SPEC	-	
0 PLC	± -	SIZE CAGE CODE DRAWING NO			
1 PLC	± -	A1 00779 C=5226990			
2 PLC	± 0.20 [008]	RESTRICTED TO			
3 PLC	± -	-			
4 PLC	± -	-			
ANGLES	± -	SCALE 4:1 SHEET 1 OF 1 REV B1			
MATERIAL 1 THRU 6	FINISH 7 THRU 9	WEIGHT -	CUSTOMER DRAWING		

X-ON Electronics

Largest Supplier of Electrical and Electronic Components

Click to view similar products for [RF Connectors / Coaxial Connectors](#) category:

Click to view products by [TE Connectivity](#) manufacturer:

Other Similar products are found below :

[8915-1511-000](#) [89674-0827](#) [6001-7071-019](#) [6002-7051-003](#) [6002-7551-202](#) [6059674-1](#) [619550-1](#) [630059-000](#) [M39030/3-01N](#) [6500-7071-046](#) [6769](#) [CX050L2AQ](#) [7002-1541-010](#) [7002-1542-011](#) [7004-1512-000](#) [7009-1511-004](#) [7010-1511-000](#) [7029-1511-060](#) [7101-1541-010](#) [7101-1571-002](#) [7105-1521-002](#) [7145-1521-002](#) [7203-1571-003](#) [7209-1511-011](#) [7210-1511-015](#) [7210-1511-019](#) [73137-5015](#) [73216-2241](#) [73404-2300](#) [7405-1521-005](#) [7405-1521-802](#) [8527](#) [8547](#) [FS11V](#) [877931](#) [9049-9513-000](#) [9074-9513-000](#) [9101-9573-002](#) [910A205F](#) [9130-9573-002](#) [PL11SC-026](#) [PL375-33](#) [PL40-5](#) [PL74C-221](#) [PL75MC-217](#) [PL803-7](#) [1200690078](#) [1-201144-1](#) [R107003010W](#) [R110A172100](#)