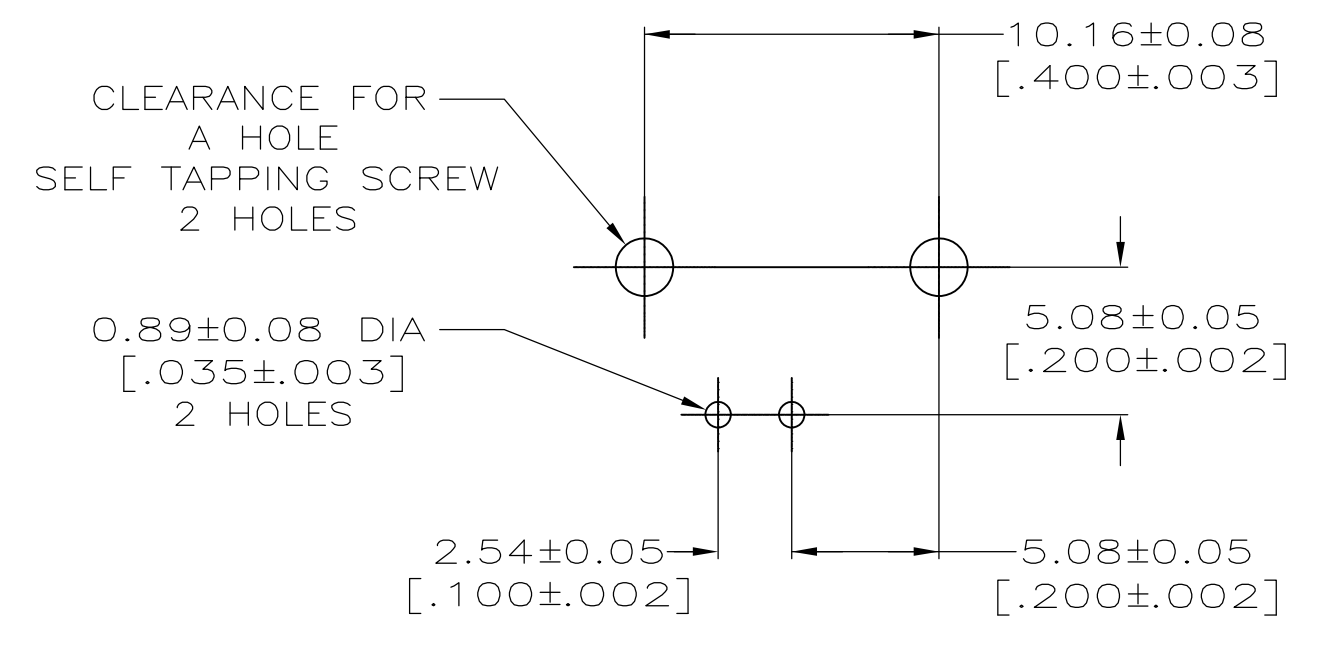
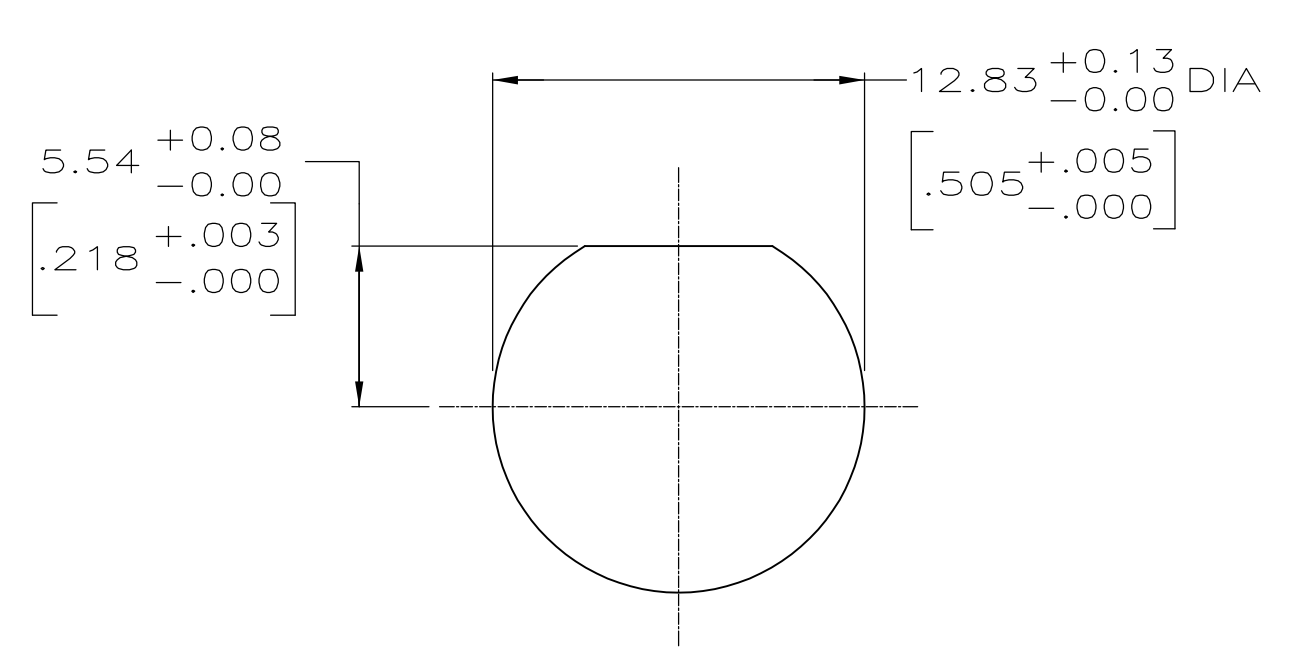
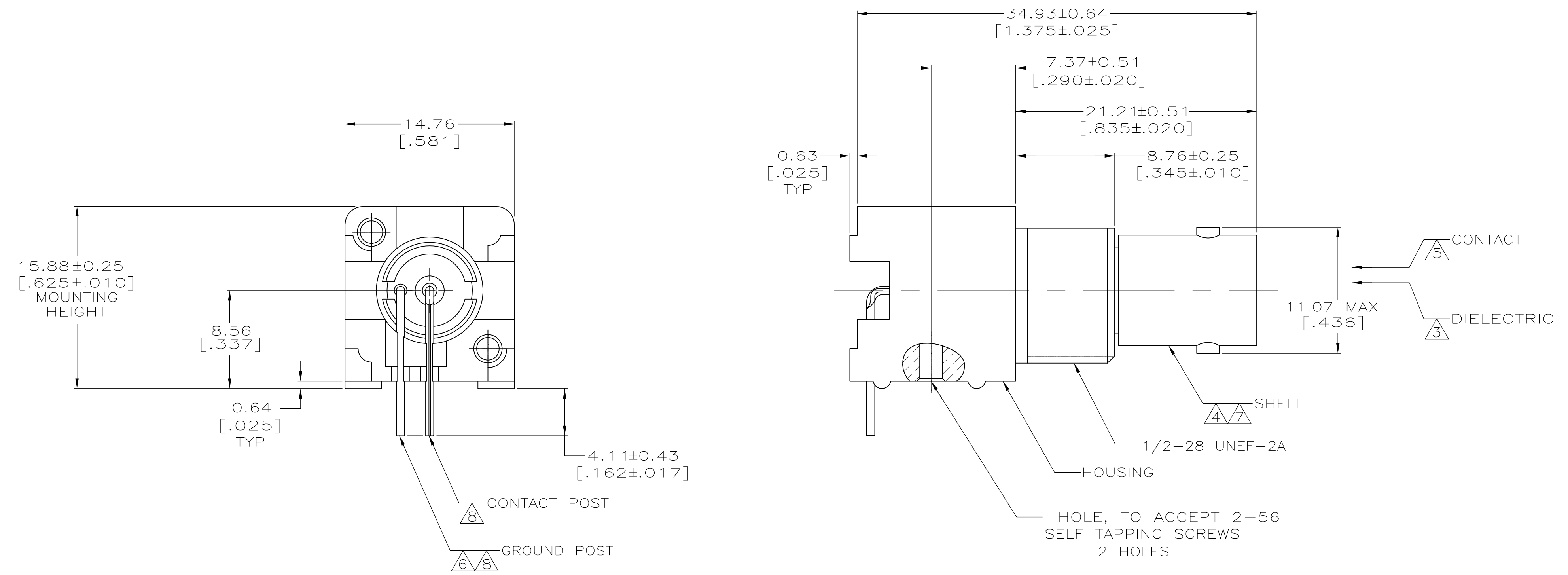


LOC	DIST	REVISIONS					
AJ	16	P	LTR	DESCRIPTION	DATE	DWN	APPD
		B1		REVISED PER ECO-11-005030	11MAR11	RK	HMR

- ① POLYESTER PBT PER MIL-M-24519, TYPE GPT-15F, UL94V-O RATED, COLOR:NATURAL
  - ② POLYESTER PBT PER MIL-M-24519, TYPE GPT-15F, UL94V-O RATED, COLOR:BLACK
  - ③ POLYMETHYLPENTENE, GENERAL PURPOSE.
  - ④ ZINC PER QQ-Z-363.
  - ⑤ PHOSPHOR BRONZE PER QQ-B-750.
  - ⑥ BRASS PER ASTM-B-453.
  - ⑦ NICKEL PLATE PER QQ-N-290, 3.81  $\mu\text{m}$  [.000150] MINIMUM THICK.
  - ⑧ TIN PLATE PER ASTM-B-545, 3.81  $\mu\text{m}$  [.000150] MINIMUM THICK.
  - ⑨ GOLD PLATE PER MIL-G-45204, 0.76  $\mu\text{m}$  [.000030] MINIMUM THICK.
10. SEE INSTRUCTION SHEET 408-2769.



RECOMMENDED PANEL CUTOUT

PCB CONFIGURATION

⑨	②	5226990-6
⑧	①	5226990-3
⑦	①	5226990-1
CONTACT PLATING	HOUSING MATERIAL	PART NUMBER

THIS DRAWING IS A CONTROLLED DOCUMENT.

DWN: L. VARELA - DOCKS 20APR2005  
 CHK: J. HAVENER 20APR2005

APVD: S. BURKHOLDER 20APR2005

NAME: JACK, PANEL, RIGHT ANGLE, 50 OHM, PCB, SERIES BNC

PRODUCT SPEC: 108-12078

APPLICATION SPEC: -

SIZE: A1 CAGE CODE: 00779 DRAWING NO: 5226990

MATERIAL: 1 THRU 6 FINISH: 7 THRU 9 WEIGHT: -

CUSTOMER DRAWING SCALE: 4:1 SHEET: 1 OF 1 REV: B1

RESTRICTED TO: -

## X-ON Electronics

Largest Supplier of Electrical and Electronic Components

*Click to view similar products for [RF Connectors / Coaxial Connectors](#) category:*

*Click to view products by [TE Connectivity](#) manufacturer:*

Other Similar products are found below :

[8915-1511-000](#) [89674-0827](#) [6001-7071-019](#) [6002-7051-003](#) [6002-7551-202](#) [6059674-1](#) [619550-1](#) [630059-000](#) [M39030/3-01N](#) [6500-7071-046](#) [6769](#) [CX050L2AQ](#) [7002-1541-010](#) [7002-1542-011](#) [7004-1512-000](#) [7009-1511-004](#) [7010-1511-000](#) [7029-1511-060](#) [7101-1541-010](#) [7101-1571-002](#) [7105-1521-002](#) [7145-1521-002](#) [7203-1571-003](#) [7209-1511-011](#) [7210-1511-015](#) [7210-1511-019](#) [73137-5015](#) [73216-2241](#) [73404-2300](#) [7405-1521-005](#) [7405-1521-802](#) [8527](#) [8547](#) [FS11V](#) [877931](#) [9049-9513-000](#) [9074-9513-000](#) [9101-9573-002](#) [910A205F](#) [9130-9573-002](#) [PL11SC-026](#) [PL375-33](#) [PL40-5](#) [PL74C-221](#) [PL75MC-217](#) [PL803-7](#) [1200690078](#) [1-201144-1](#) [R107003010W](#) [R110A172100](#)