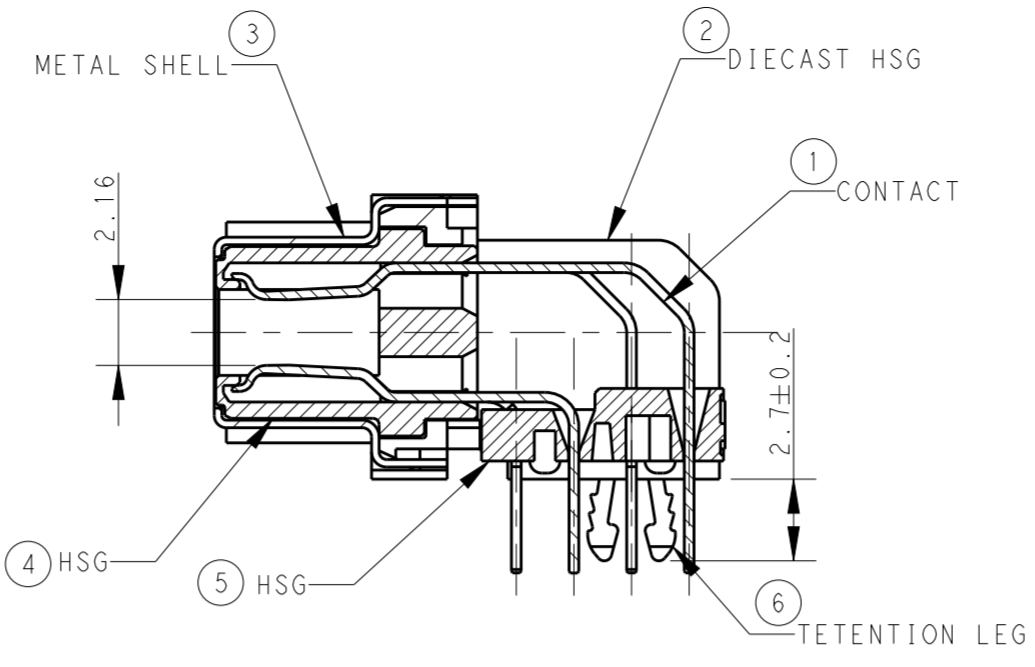


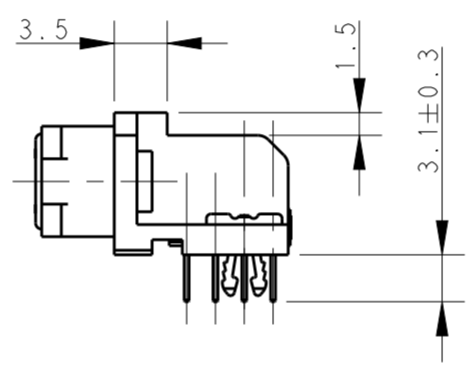
THIS DRAWING IS UNPUBLISHED. RELEASED FOR PUBLICATION 20
 © COPYRIGHT 20 BY - ALL RIGHTS RESERVED.

| REVISIONS | | | | | | |
|-----------|-----|------------------------------|---------|-----|------|--|
| P | LTR | DESCRIPTION | DATE | DWN | APVD | |
| A2 | | ADD DIMENSION AS MARKED | 17DEC15 | N.W | X.X | |
| A3 | | CHANGE PRODUCT SPECIFICATION | 17SEP18 | T.F | C.W | |

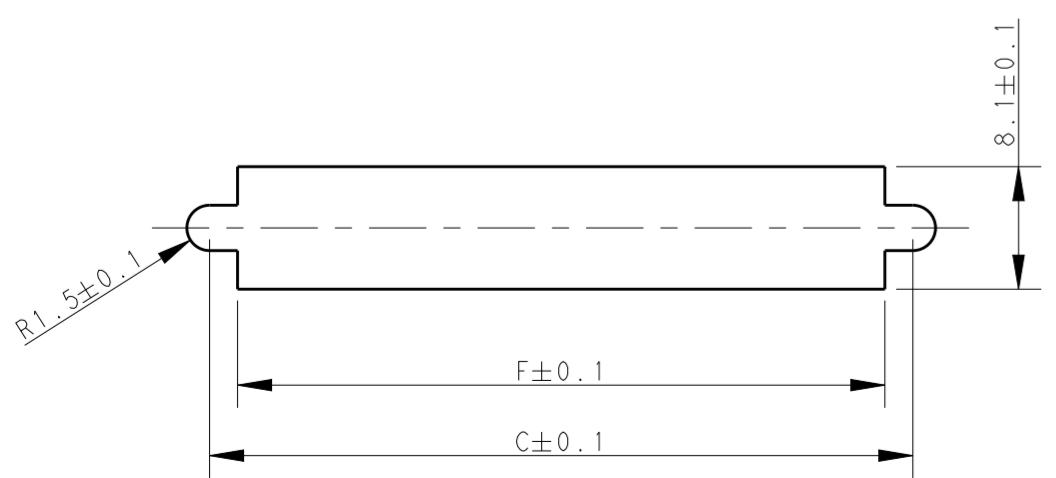
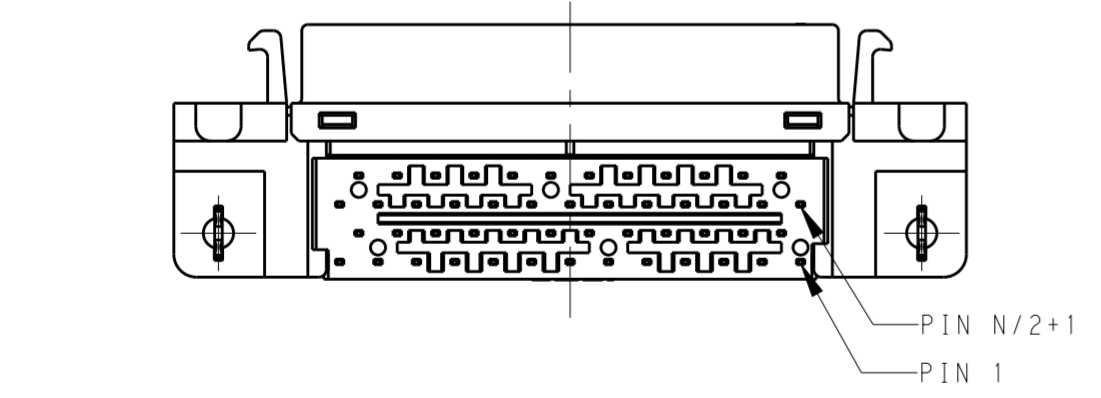
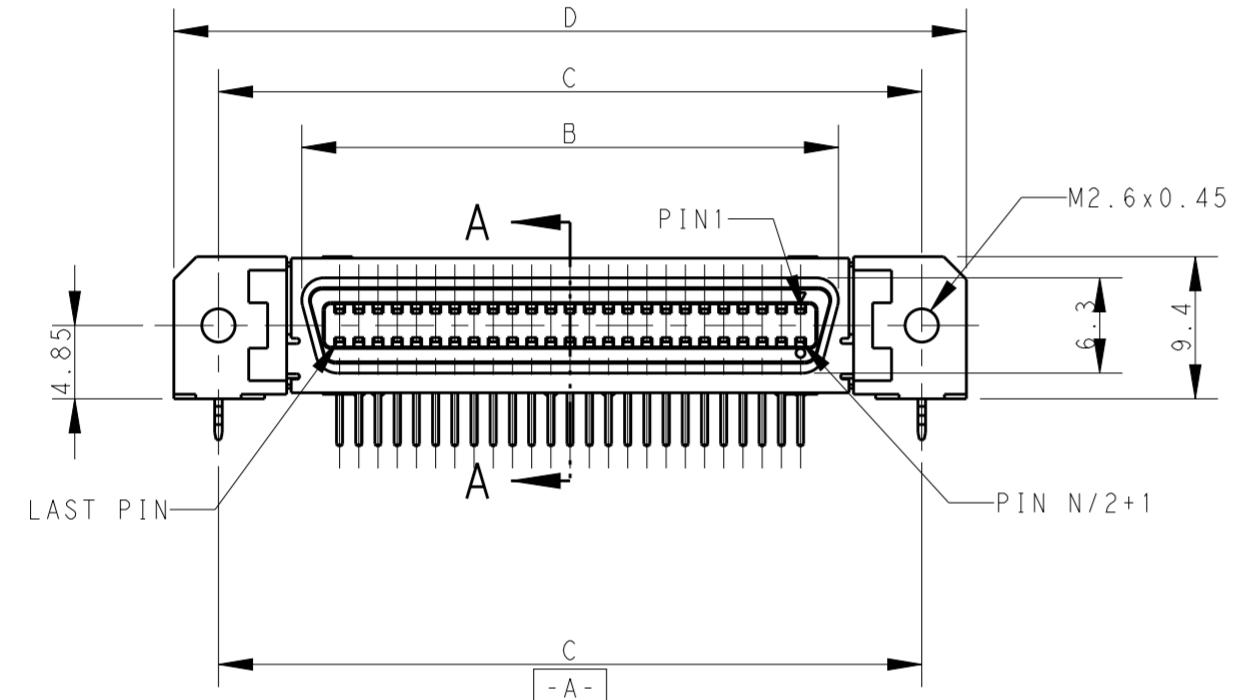
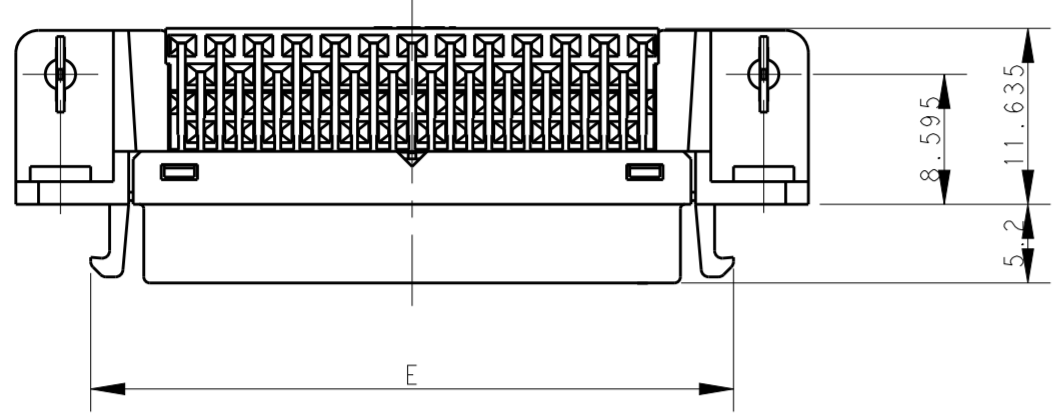
| ITEM | MATERIAL | FINISH |
|------|----------------------------|--|
| ① | COPPER ALLOY | NICKEL UNDER PLATED ALL OVER CONTACT AREA: Au(0.3um,0.76um) SOLDER TINE AREA:TIN PLATE |
| ② | ZINC | NICKEL PLATING |
| ③ | STEEL T=0.25 | NICKEL PLATE OVER COPPER UNDERPLATE |
| ④ | THERMO-PLASTIC UL:94V-0 | COLOR:BLACK |
| ⑥ | COPPER ALLOY | TIN PLATE OVER NICKEL UNDERPLATE |



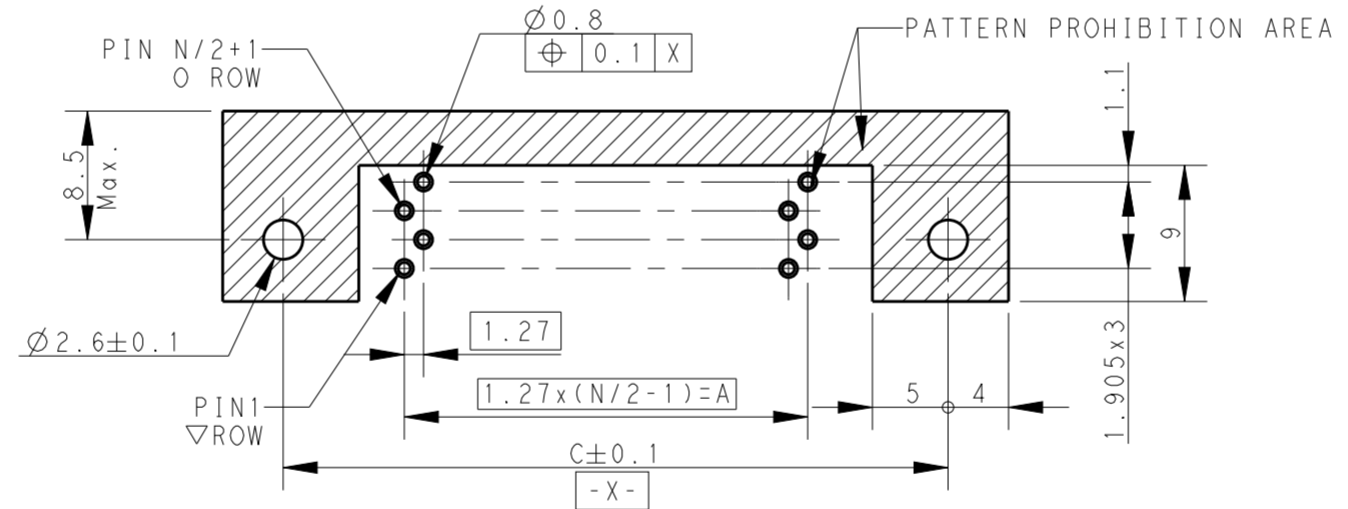
SECTION A-A
SCALE 4:1



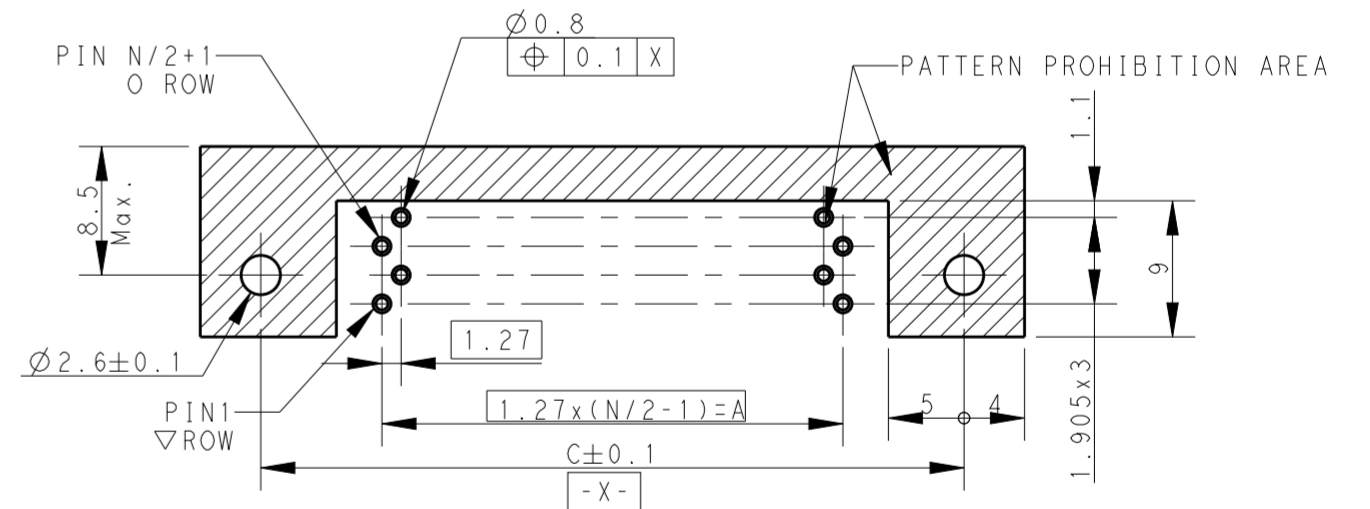
- NOTES:
 1. RECOMMENDED SCREW SIZE:M2.6 PANHEAD SCREW(L=5)
 2. RECOMMENDED PCB THICKNESS:1.6MM(REF.)
 3. RECOMMENDED THE SCREW TORQUE 0.25~0.35N·m



RECOMMENDED PANEL CUTOUT
THK, 2MM MAX.



FOR 20,36 POSITION
RECOMMENDED PCB LAYOUT
GENERAL TOLERANCE: ±0.05



FOR 26,50 POSITION
RECOMMENDED PCB LAYOUT
GENERAL TOLERANCE: ±0.05

| F | E | D | C | B | A | Au PLT. | POS. N | PN |
|------|-------|-------|-------|-------|-------|---------|--------|-------------|
| 42.8 | 42.50 | 52.40 | 46.50 | 35.48 | 30.48 | 0.76um | 50 | 5-2271101-2 |
| 33.9 | 33.61 | 43.51 | 37.61 | 26.59 | 21.59 | 0.76um | 36 | 4-2271101-2 |
| 27.6 | 27.26 | 37.16 | 31.26 | 20.24 | 15.24 | 0.76um | 26 | 3-2271101-2 |
| 23.8 | 23.45 | 33.35 | 27.45 | 16.43 | 16.43 | 0.76um | 20 | 2-2271101-2 |
| | | | | | | | 14 | |
| 42.8 | 42.50 | 52.40 | 46.50 | 35.48 | 30.48 | 0.3um | 50 | 5-2271101-1 |
| 33.9 | 33.61 | 43.51 | 37.61 | 26.59 | 21.59 | 0.3um | 36 | 4-2271101-1 |
| 27.6 | 27.26 | 37.16 | 31.26 | 20.24 | 15.24 | 0.3um | 26 | 3-2271101-1 |
| 23.8 | 23.45 | 33.35 | 27.45 | 16.43 | 11.43 | 0.3um | 20 | 2-2271101-1 |
| | | | | | | | 14 | |

THIS DRAWING IS A CONTROLLED DOCUMENT.

DIMENSIONS: mm

TOLERANCES UNLESS OTHERWISE SPECIFIED:
 0 PLC ±0.2
 1 PLC ±0.2
 2 PLC ±0.2
 3 PLC ±0.2
 4 PLC ±
 ANGLES ±2°
 FINISH

MATERIAL

DWN: HAO WANG 07AUG13
 CHK: KOBBY ZHAO 07AUG13
 APVD: XIANG XU 07AUG13

PRODUCT SPEC: 108-137364 (A3)
 APPLICATION SPEC

WEIGHT

Customer Drawing

TE Connectivity

SCSI .050 RECEPTACEL HDR ASSY

SIZE: A2 CAGE CODE: 200779 DRAWING NO: C-2271101 RESTRICTED TO: -
 SCALE: 1:1 SHEET 1 OF 1 REV: A3

X-ON Electronics

Largest Supplier of Electrical and Electronic Components

Click to view similar products for [Headers & Wire Housings](#) category:

Click to view products by [TE Connectivity](#) manufacturer:

Other Similar products are found below :

[892-18-020-10-001101](#) [58102-G61-06LF](#) [582553-1](#) [0009485154](#) [009176003701906](#) [0050291907](#) [LY20-4P-DT1-P1E-BR](#) [02.125.8002.8](#)
[609-3404](#) [61062-3](#) [61082-181009](#) [622-3653LF](#) [63453-116](#) [636-1030](#) [636-1427](#) [636-3427](#) [636-4007](#) [641938-9](#) [641991-4](#) [644827-2](#) [65817-](#)
[010LF](#) [65817-015LF](#) [65863-015LF](#) [66207-023LF](#) [67095-007LF](#) [67601157](#) [68645-018](#) [68648-049](#) [70.362.1628.0](#) [70-4210](#) [70-4226B](#) [70-](#)
[4853B](#) [707-5020](#) [707-5028](#) [71.350.2428.0](#) [71918-208LF](#) [71961-016LF](#) [733-134](#) [733-162](#) [754199-000](#) [760-3052](#) [787-8014-00](#) [79531-3000](#)
[FCN-360C032-B](#) [FCN-367T-T012/H](#) [FCN-723D010/2](#) [80.063.4001.1](#) [800-90-001-10-001000](#) [800-90-010-10-002000](#) [801-43-002-10-013000](#)