

THIS DRAWING IS UNPUBLISHED
 VERTRÄULICHE UNVERÖFFENTLICHTE ZEICHNUNG
 © COPYRIGHT 2014 Tyco Electronics AMP GmbH

RELEASED FOR PUBLICATION
 FREI FÜR VERÖFFENTLICHUNG
 2014
 ALL RIGHTS RESERVED.
 ALLE RECHTE VORBEHALTEN.

MATED WITH:
 PASSEND ZU:

PROJEKT NR.:
 PRJ-14-00000805

REVISIONS				
P	LTR	DESCRIPTION	DATE	APVD
A2		DESCRIPTION CORRECTED FROM SOLDER TO SCREW TERMINAL IN TITLE BLOCK	13NOV2014	CR JK
A3		1-2271110-1, 1-2271110-2, 2-2271110-1, 2-2271110-2, 3-2271110-1, 3-2271110-2, 4-2271110-1, 4-2271110-2 & 5-2271110-2 DISCONTINUED	23SEP2017	TJ NG
A4		ECR-19-018487	27NOV2019	BP CW

1 MATERIAL: ITEM NO. 1: HOUSING - PA
 ITEM NO. 2: CONTACT BODY - PA
 ITEM NO. 3: CONTACT - CuZn (brass)

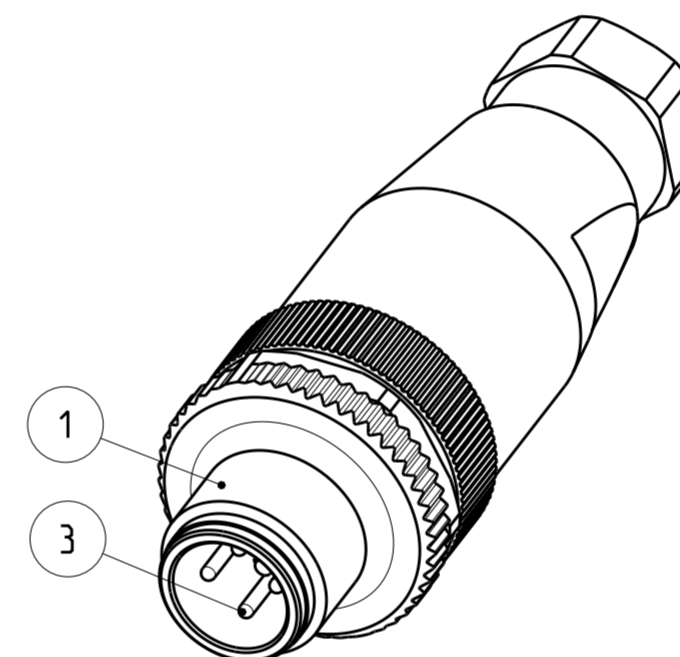
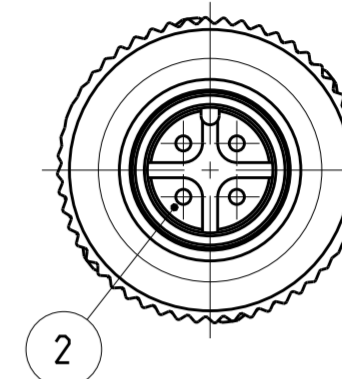
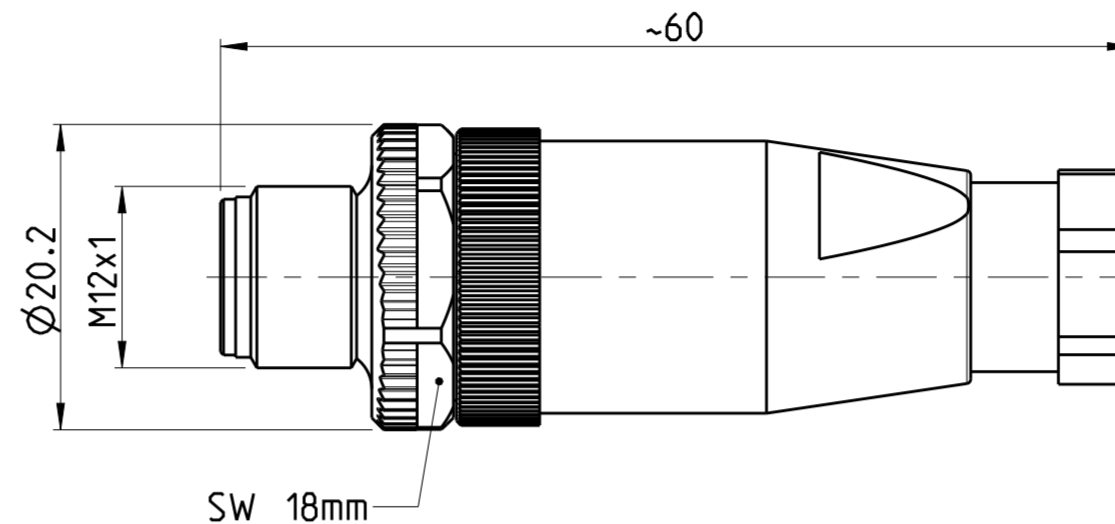
2 CONTACT FINISH - CuSnZn (Optalloy)

3 CONTACT FINISH - Au (gold)

4 ALL DIMENSIONS ARE FOR NOMINAL REFERENCE ONLY UNLESS OTHERWISE STATED

5 MEASUREMENT REFERENCE ONLY

6 PACKAGING: 1 PIECE IN A BAG



TECHNICAL DATA	2-2271110-1	2-2271110-2	3-2271110-1	3-2271110-2	4-2271110-1	4-2271110-2	5-2271110-2	6-2271110-2
RATED VOLTAGE	250V	250V	250V	250V	125V	125V	60V	30V
RATED IMPULSE VOLTAGE	2500V	2500V	2500V	2500V	1500V	1500V	800V	500V
POLLUTION DEGREE	3	3	3	3	3	3	3	3
OVERVOLTAGE CATEGORY	II	II	II	II	II	II	II	II
MATERIAL GROUP	III	III	III	III	III	III	III	III
RATED CURRENT	4A	4A	4A	4A	4A	4A	2A	2A
VOLUME RESISTIVITY	≤ 8mΩ	≤ 8mΩ	≤ 8mΩ	≤ 8mΩ	≤ 8mΩ	≤ 8mΩ	≤ 3mΩ	≤ 3mΩ
DEGREE OF PROTECTION	IP67	IP67	IP67	IP67	IP67	IP67	IP67	IP67
UPPER TEMPERATURE	+85 °C	+85 °C	+85 °C	+85 °C	+85 °C	+85 °C	+85 °C	+85 °C
LOWER TEMPERATURE	-40 °C	-40 °C	-40 °C	-40 °C	-40 °C	-40 °C	-40 °C	-40 °C

PIN ARRANGEMENT
 A-CODING (SCALE 2:1)

2-2271110-1	2-2271110-2	3-2271110-1	3-2271110-2
4-2271110-1	4-2271110-2	5-2271110-2	6-2271110-2

3-1 AS SHOWN
 WIE GEZEICHNET

SOLDER CUP	6-8	24 / 0.25mm ²	1 3	12	6-2271110-2
SCREW	6-8	20 / 0.50mm ²	1 3	8	5-2274410-2
SCREW	6-8	18 / 0.75mm ²	1 2	5	4-2274410-2
SCREW	4-6	18 / 0.75mm ²	1 2	5	4-2274410-1
SCREW	6-8	18 / 0.75mm ²	1 2	4	3-2274410-2
SCREW	4-6	18 / 0.75mm ²	1 2	4	3-2274410-1
SCREW	6-8	18 / 0.75mm ²	1 2	3	2-2274410-2
SCREW	4-6	18 / 0.75mm ²	1 2	3	2-2274410-1
TERMINAL TYPE	CABLE FEED-THROUGH	WIRES	MATERIAL	NUMBER OF POLES	TE-PART-NO.
	mm	AWG / mm ²			

DIESE ZEICHNUNG IST EIN KONTROLLIERTES DOKUMENT.
 BEMASSUNGEN UND TOLERANZEN GEMAESS GPS (ISO STANDARDS).

THIS DRAWING IS A CONTROLLED DOCUMENT.
 DIMENSIONING AND TOLERANCING PER GPS (ISO STANDARDS).

APVD: YASHKUMAR 14 APR 2014
 CHK: M.STRELOW 14 APR 2014
 C.SCHREITLINGER 14 APR 2014

STE TE Connectivity

M12 MALE STRAIGHT, FIELD INSTALLABLE, UNSHIELDED CONNECTOR, A-CODING

SIZE: A2 CAGE CODE: 00779 DRAWING NO: C-2271110

Customer Drawing / KUNDENZEICHNUNG SCALE: 2:1 SHEET: 1 OF 1 REV: A4

SIZE ISO 14405 (E)

X-ON Electronics

Largest Supplier of Electrical and Electronic Components

Click to view similar products for [Circular Metric Connectors](#) category:

Click to view products by [TE Connectivity](#) manufacturer:

Other Similar products are found below :

[600X518037X](#) [6STD15PCR99B70A](#) [8R4000A16M020](#) [8R5000A16M005](#) [1200910002](#) [1203580030](#) [1200910008](#) [1200910011](#) [1300140094](#)
[130203-0054](#) [1300140026](#) [1300150099](#) [RF-12S1N8A90DU](#) [1612618](#) [21036836414](#) [8R4006A16M010](#) [8R5006A18A120](#) [1604232](#)
[1R3006A20M005](#) [RF-12P1N8A80DU](#) [RF-12P1N8A90DU](#) [41-40011](#) [42-00006](#) [42-01015](#) [4-22279-4](#) [4-22281-1](#) [4-22284-9](#) [43-00113](#) [43-](#)
[01088](#) [43-01203](#) [41-40013](#) [42-00008](#) [43-00343](#) [43-01032](#) [43-01162](#) [43-01173](#) [43-10000](#) [XS3P-M421-2](#) [600X518050X](#) [SACC-DSI-FS-5P-](#)
[PG9-L180 SC](#) [8R5006A16M020](#) [8R5006A16M005](#) [8R4000A16M010](#) [6-22279-3](#) [1605332](#) [N03FA03144](#) [1300140077](#) [43-16213](#) [43-01338](#)
[XS2RD4265](#)