

THIS DRAWING IS UNPUBLISHED. VERTRAULICHE UNVERÖFFENTLICHTE ZEICHNUNG. RELEASED FOR PUBLICATION FREI FÜR VERÖFFENTLICHUNG. 2014. MATED WITH: PASSEND ZU: COPYRIGHT 2014 Tyco Electronics AMP GmbH. ALL RIGHTS RESERVED. ALLE RECHTE VORBEHALTEN.

PROJEKT NR.: PRJ-14-00000805

REVISIONS		DATE	DWN	APVD
ÄNDERUNGEN				
P	LTR	DESCRIPTION		
		BESCHREIBUNG		
A2		DESCRIPTION CORRECTED FROM SOLDER TO SCREW TERMINAL IN TITLE BLOCK	13NOV2014	CR JK
A4		ECR-19-010090	27JUN2019	B.P C.W

1 MATERIAL: ITEM NO. 1: HOUSING - ZINC DIECASTING, NICKEL PLATED
 ITEM NO. 2: CONTACT BODY - PA
 ITEM NO. 3: CONTACT FINISH - Au (gold)

2 CONTACT - CuZn (brass)

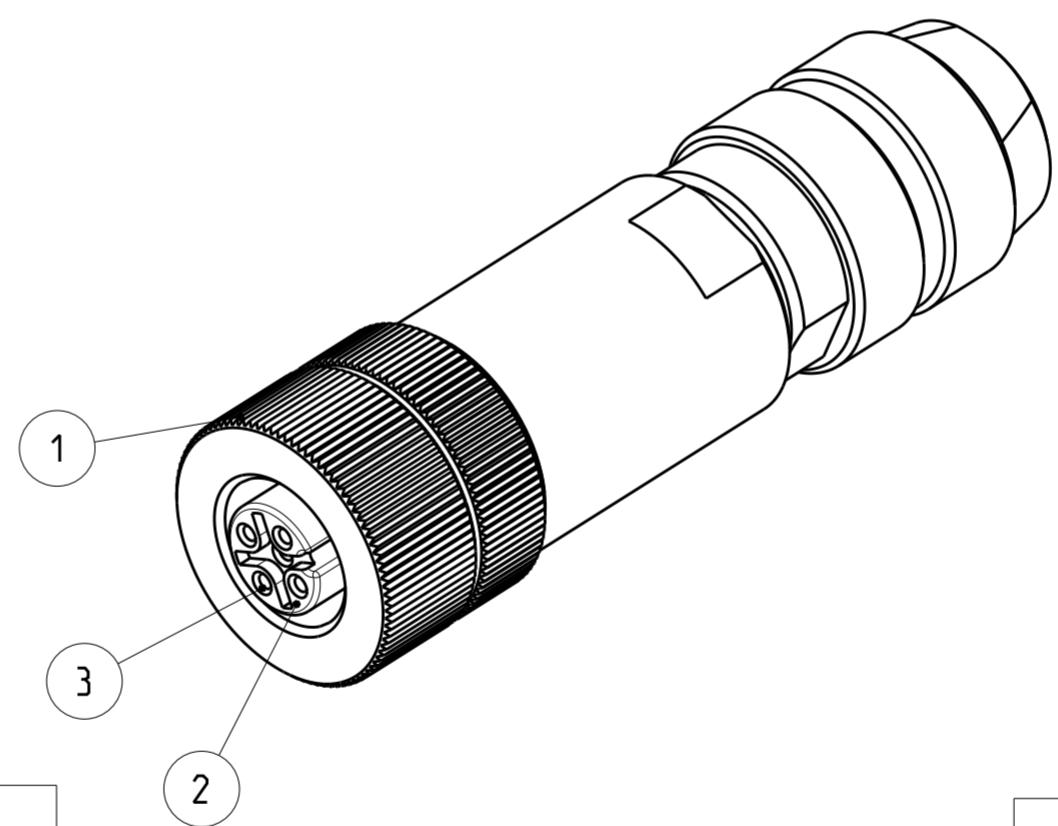
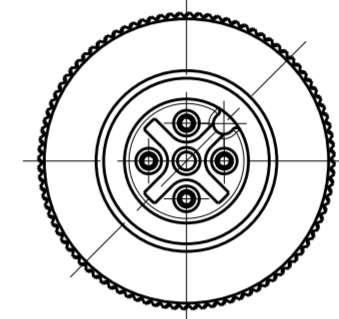
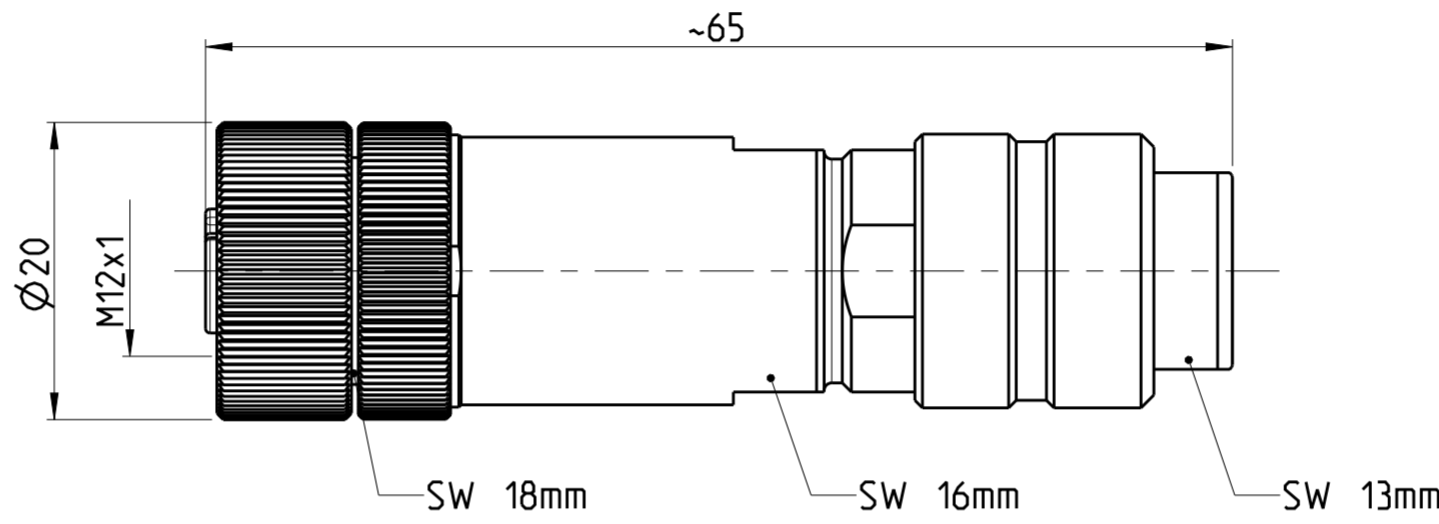
3 CONTACT - CuSn (bronze)

4 ALL DIMENSIONS ARE FOR NOMINAL REFERENCE ONLY UNLESS OTHERWISE STATED

5 MEASUREMENT REFERENCE ONLY

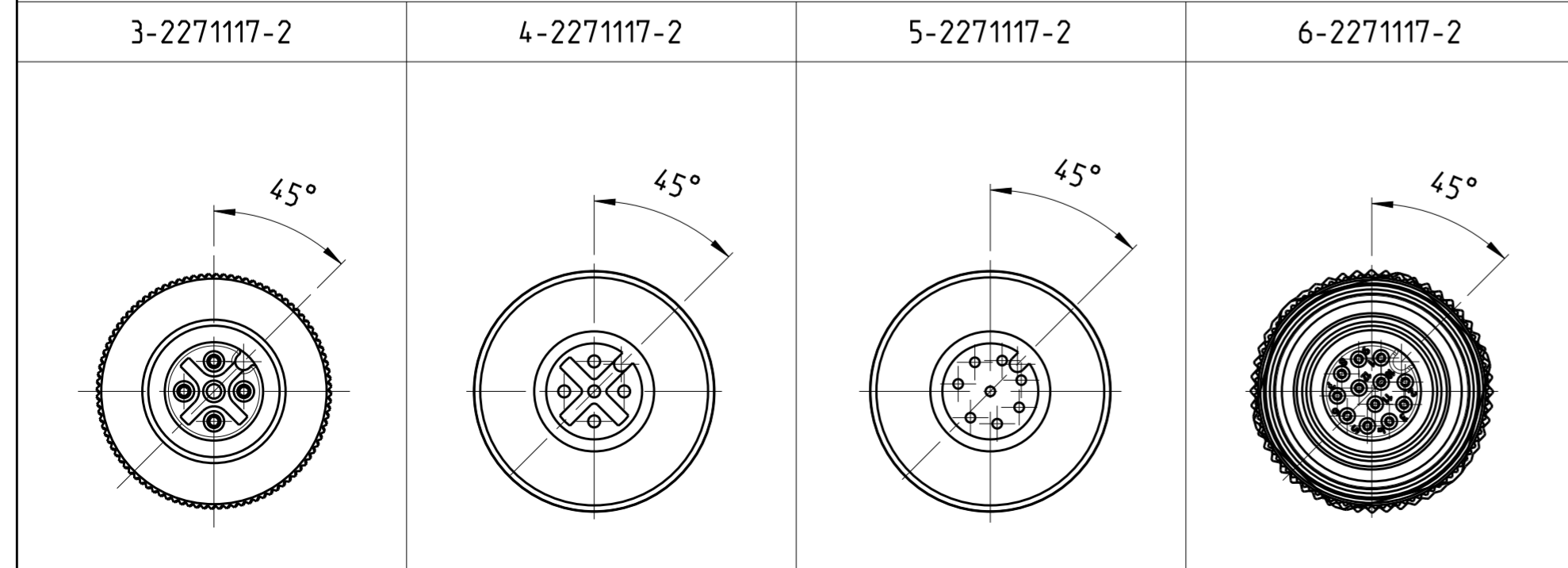
6 PACKAGING: 1 PIECE IN A BAG

TECHNICAL DATA	3-2271117-2	4-2271117-2	5-2271117-2	6-2271117-2
RATED VOLTAGE	250V	125V	60V	30V
RATED IMPULSE VOLTAGE	2500V	1500V	800V	500V
POLLUTION DEGREE	3	3	3	3
OVERVOLTAGE CATEGORY	II	II	II	II
MATERIAL GROUP	II	II	II	II
RATED CURRENT	4A	4A	2A	2A
VOLUME RESISTIVITY	≤ 3mΩ	≤ 3mΩ	≤ 3mΩ	≤ 3mΩ
DEGREE OF PROTECTION	IP67	IP67	IP67	IP67
UPPER TEMPERATURE	+85 °C	+85 °C	+85 °C	+85 °C
LOWER TEMPERATURE	-40 °C	-40 °C	-40 °C	-40 °C



3-2 AS SHOWN WIE GEZEICHNET

PIN ARRANGEMENT A-CODING (SCALE 2:1)



Obsolete	CABLE FEED-THROUGH mm	WIRES AWG / mm ²	MATERIAL	NUMBER OF POLES	TE-PART-NO.
	6-8	24 / 0.25mm ²	1 3	12	6-2271117-2
	5-8	20 / 0.50mm ²	1 2	8	5-2271117-2
	5-8	18 / 0.75mm ²	1 2	5	4-2271117-2
	5-8	18 / 0.75mm ²	1 2	4	3-2271117-2

SIZE ISO 14405 (E)

DIESE ZEICHNUNG IST EIN KONTROLLIERTES DOKUMENT. BEMASSUNGEN UND TOLERANZEN GEMAESS GPS (ISO STANDARDS). THIS DRAWING IS A CONTROLLED DOCUMENT. DIMENSIONING AND TOLERANCING PER GPS (ISO STANDARDS).

APVD: YASHKUMAR 17MAY2014, M.STRELOW 17MAY2014, C.SCHREITLINGER 17MAY2014

NAME: M12 RECEPTACLE, STRAIGHT, FIELD INSTALLABLE, SHIELDED CONNECTOR, SCREW TERMINAL, A-CODING

Customer Drawing / KUNDENZEICHNUNG

SCALE MASSSTAB 2:1, SHEET BLATT 1 OF 1, REV A4

X-ON Electronics

Largest Supplier of Electrical and Electronic Components

Click to view similar products for [Circular Metric Connectors](#) category:

Click to view products by [TE Connectivity](#) manufacturer:

Other Similar products are found below :

[600X518037X](#) [6STD15PCR99B70A](#) [8R4000A16M020](#) [8R5000A16M005](#) [1200910002](#) [1203580030](#) [1200910008](#) [1200910011](#) [1300140094](#)
[130203-0054](#) [1300140026](#) [1300150099](#) [RF-12S1N8A90DU](#) [1612618](#) [21036836414](#) [8R4006A16M010](#) [8R5006A18A120](#) [1604232](#)
[1R3006A20M005](#) [RF-12P1N8A80DU](#) [RF-12P1N8A90DU](#) [41-40011](#) [42-00006](#) [42-01015](#) [4-22279-4](#) [4-22281-1](#) [4-22284-9](#) [43-00113](#) [43-](#)
[01088](#) [43-01203](#) [41-40013](#) [42-00008](#) [43-00343](#) [43-01032](#) [43-01162](#) [43-01173](#) [43-10000](#) [XS3P-M421-2](#) [600X518050X](#) [SACC-DSI-FS-5P-](#)
[PG9-L180 SC](#) [8R5006A16M020](#) [8R5006A16M005](#) [8R4000A16M010](#) [6-22279-3](#) [1605332](#) [N03FA03144](#) [1300140077](#) [43-16213](#) [43-01338](#)
[XS2RD4265](#)