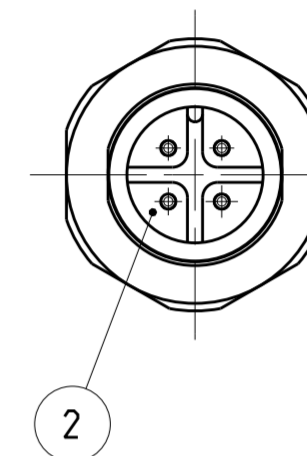
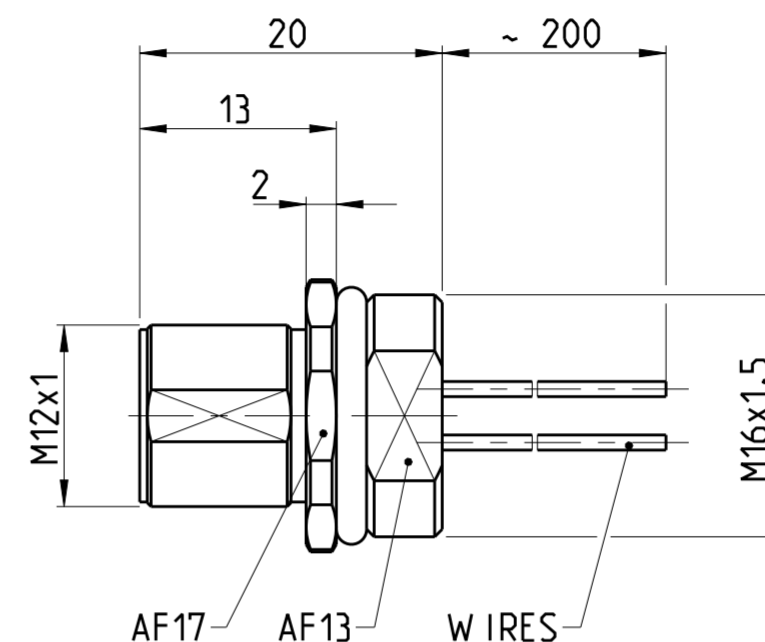
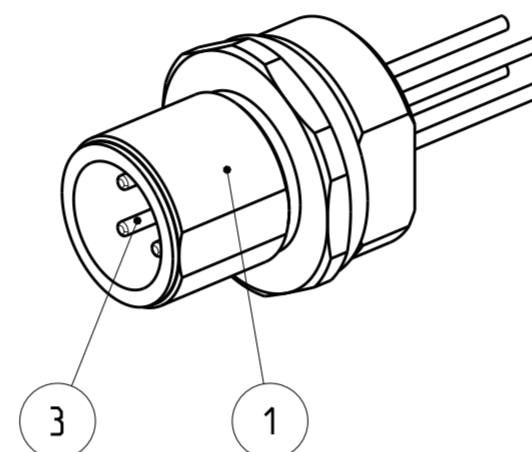
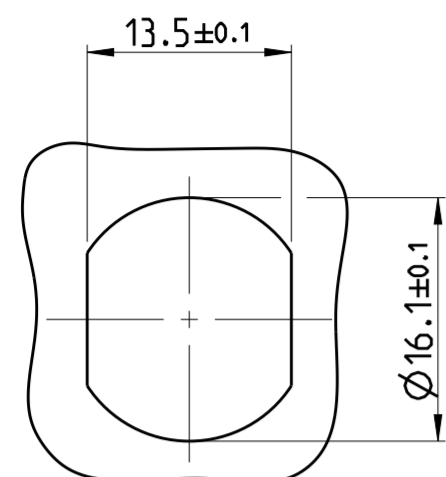


P	LTR	REVISIONS ÄNDERUNGEN DESCRIPTION BESCHREIBUNG	DATE	DWN	APVD
	A1	DRAWING PUBLISHED	09JUN2014	YR	CS
	A2	3-2271134-2 AND 4-2271134-2 DISCONTINUED	25SEP2017	TJ	NG

RECOMMENDED CUT-OUT



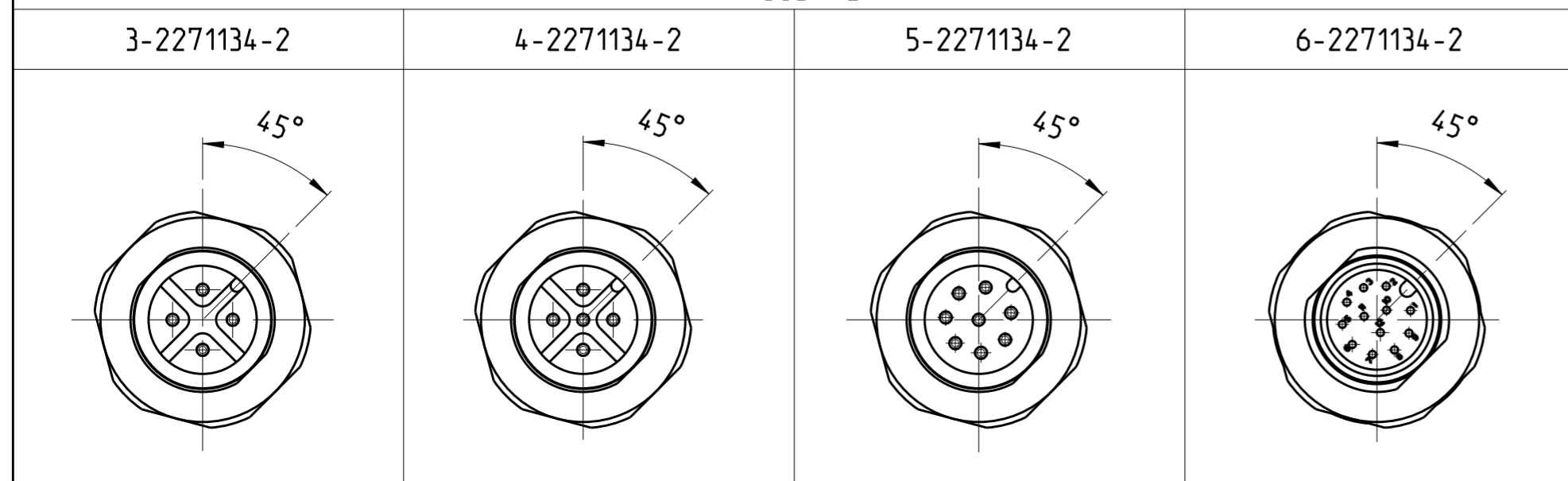
TECHNICAL DATA	3-2271134-2	4-2271134-2	5-2271134-2	6-2271134-2
RATED VOLTAGE	250V	125V	60V	30V
RATED IMPULSE VOLTAGE	2500V	1500V	800V	500V
POLLUTION DEGREE	3	3	3	3
OVERVOLTAGE CATEGORY	II	II	II	II
MATERIAL GROUP	II	II	II	II
RATED CURRENT	4A	4A	2A	2A
VOLUME RESISTIVITY	≤ 3mΩ	≤ 3mΩ	≤ 3mΩ	≤ 3mΩ
DEGREE OF PROTECTION	IP68	IP68	IP68	IP68
UPPER TEMPERATURE	+85 °C	+85 °C	+85 °C	+85 °C
LOWER TEMPERATURE	-40 °C	-40 °C	-40 °C	-40 °C

- ⚠ MATERIAL: ITEM NO. 1: HOUSING - ZINC DIE-CAST  
FINISH: NICKEL-PLATED  
ITEM NO. 2: CONTACT BODY - PA  
ITEM NO. 3: CONTACT - CuZn  
FINISH: Au

- 2 ALL DIMENSIONS ARE FOR NOMINAL REFERENCE ONLY UNLESS OTHERWISE STATED  
3 MEASUREMENT REFERENCE ONLY  
4 PACKAGING: 1 PIECE IN A BAG  
5 PANEL MOUNT NUT PN 2823066-1 TO BE ORDERED SEPARATELY

3--2 AS SHOWN  
WIE GEZEICHNET

PIN ARRANGEMENT  
A-CODING



SIZE ISO 14405 (E)

DIESE ZEICHNUNG IST EIN KONTROLLIERTES DOKUMENT. BEMASSUNGEN UND TOLERANZEN GEMAESS GPS (ISO STANDARDS).		THIS DRAWING IS A CONTROLLED DOCUMENT. DIMENSIONING AND TOLERANCING PER GPS (ISO STANDARDS).	
DIMENSIONS: MASSE/WEITEN: IT/IT1		TOLERANCES UNLESS OTHERWISE SPECIFIED: ALLGEMEINTOLERANZEN	
MATERIAL		FINISH/OBERFLÄCHE/FARBE	
-		-	
-		-	

WIRES AWG / mm <sup>2</sup>	MATERIAL	NUMBER OF POLES	TE-PART-NO.
26 / 0.14mm <sup>2</sup>	⚠	12	6-2271134-2
24 / 0.25mm <sup>2</sup>	⚠	8	5-2271134-2
24 / 0.25mm <sup>2</sup>	⚠	5	<del>4-2271134-2</del>
24 / 0.25mm <sup>2</sup>	⚠	4	<del>3-2271134-2</del>

DWN YASHKUMAR 09JUN2014			
CHK M.STRELOW 09JUN2014			
APVD C.SCHREITLINGER 09JUN2014			
NAME M12 MALE PANEL MOUNT CONNECTOR SOLDER TERMINALS, A-CODING			
SIZE	CAGE CODE	DRAWING NO	RESTRICTED TO
A2	00779	C-2271134	MUR FÜR
Customer Drawing		SCALE MASSSTAB	REV
		2:1	A2

## X-ON Electronics

Largest Supplier of Electrical and Electronic Components

*Click to view similar products for [Circular Metric Connectors](#) category:*

*Click to view products by [TE Connectivity](#) manufacturer:*

Other Similar products are found below :

[600X518037X](#) [6STD15PCR99B70A](#) [8R4000A16M020](#) [8R5000A16M005](#) [1200910002](#) [1203580030](#) [1200910008](#) [1200910011](#) [1300140094](#)  
[130203-0054](#) [1300140026](#) [1300150099](#) [RF-12S1N8A90DU](#) [1612618](#) [21036836414](#) [8R4006A16M010](#) [8R5006A18A120](#) [1604232](#)  
[1R3006A20M005](#) [RF-12P1N8A80DU](#) [RF-12P1N8A90DU](#) [41-40011](#) [42-00006](#) [42-01015](#) [4-22279-4](#) [4-22281-1](#) [4-22284-9](#) [43-00113](#) [43-](#)  
[01088](#) [43-01203](#) [41-40013](#) [42-00008](#) [43-00343](#) [43-01032](#) [43-01162](#) [43-01173](#) [43-10000](#) [XS3P-M421-2](#) [600X518050X](#) [SACC-DSI-FS-5P-](#)  
[PG9-L180 SC](#) [8R5006A16M020](#) [8R5006A16M005](#) [8R4000A16M010](#) [6-22279-3](#) [1605332](#) [N03FA03144](#) [1300140077](#) [43-16213](#) [43-01338](#)  
[XS2RD4265](#)