

THIS DRAWING IS UNPUBLISHED.
 VERTRÄULICHE UNVERÖFFENTLICHTE ZEICHNUNG
 © COPYRIGHT 2014 Tyco Electronics AMP GmbH

RELEASED FOR PUBLICATION
 FREI FÜR VERÖFFENTLICHUNG
 2014
 ALL RIGHTS RESERVED.
 ALLE RECHTE VORBEHALTEN.

MATED WITH:
 PASSEND ZU:

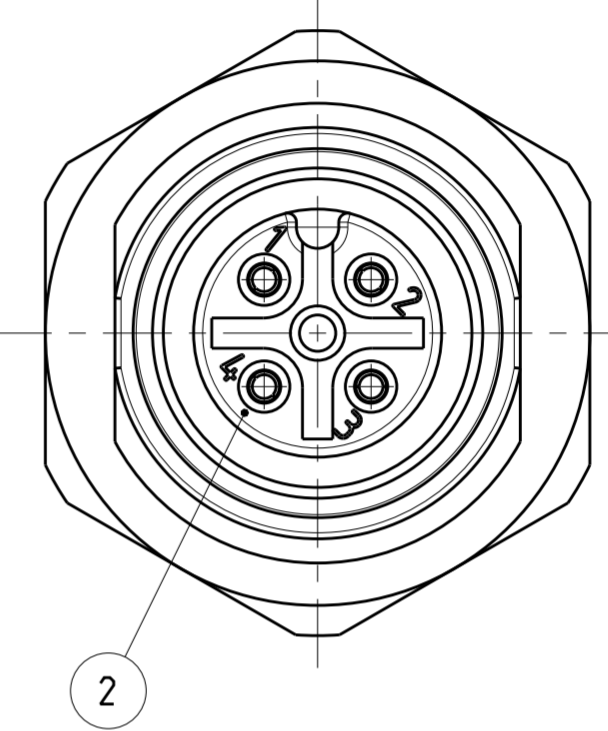
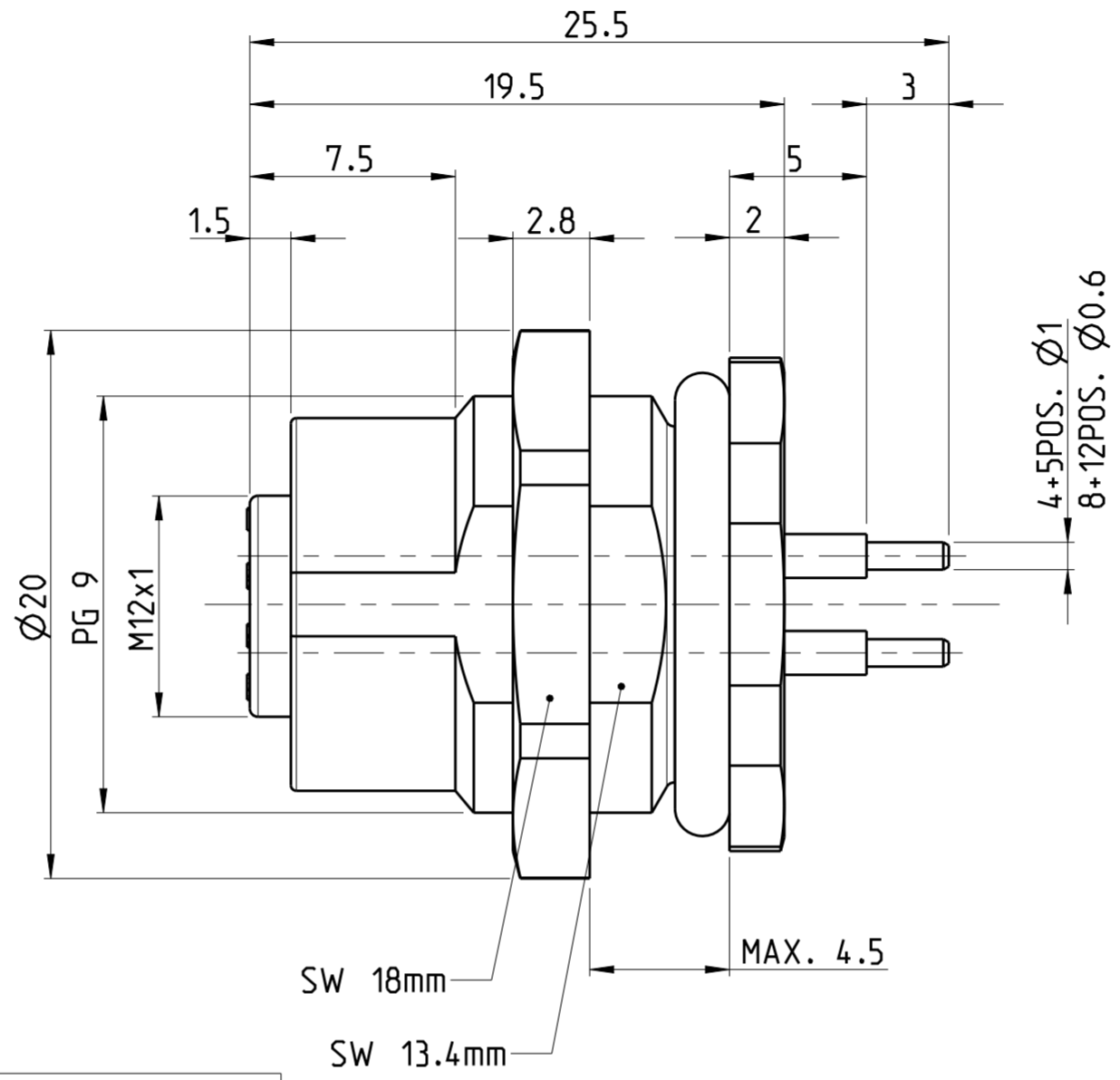
PROJEKT NR.:
 PRJ-14-00000805

| REVISIONS | | DATE | DWN | APVD |
|-----------|-----|--|-----------|-------|
| P | LTR | DESCRIPTION | | |
| A2 | | ADDED PCB LAYOUT IN DRAWING | 20AUG2014 | YR MB |
| A3 | | 3-2271143-2 AND 4-2271143-2 DISCONTINUED | 25SEP2017 | TJ NG |
| A4 | | ECR-18-002621, CORRECT ERROR | 27Feb2018 | TF WC |

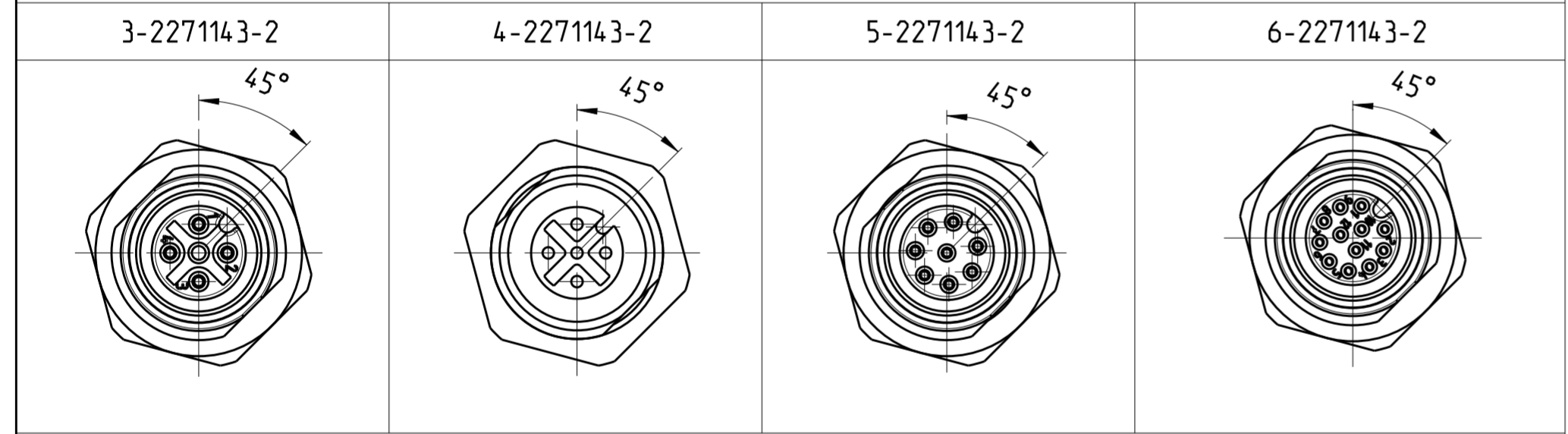
MATERIAL: ITEM NO. 1: HOUSING - ZINC DIECASTING, NICKEL PLATED
 ITEM NO. 2: CONTACT BODY - PA
 ITEM NO. 3: CONTACT - CuZn (BRONZE)
 CONTACT FINISH - Au (gold)

2 ALL DIMENSIONS ARE FOR NOMINAL REFERENCE ONLY UNLESS OTHERWISE STATED
3 **PACKAGING:** 20 PIECE IN A BAG

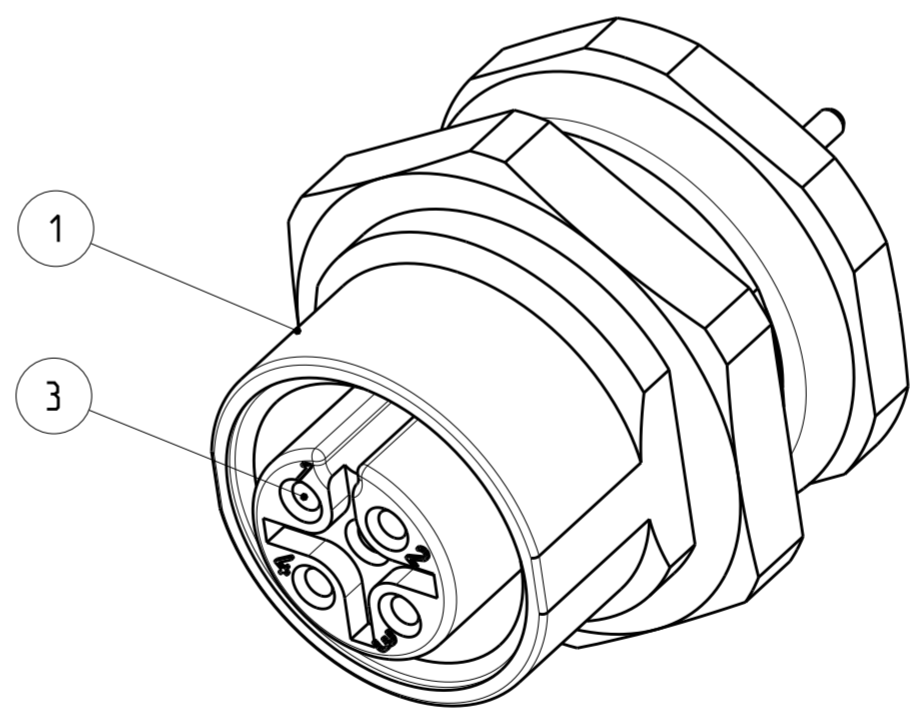
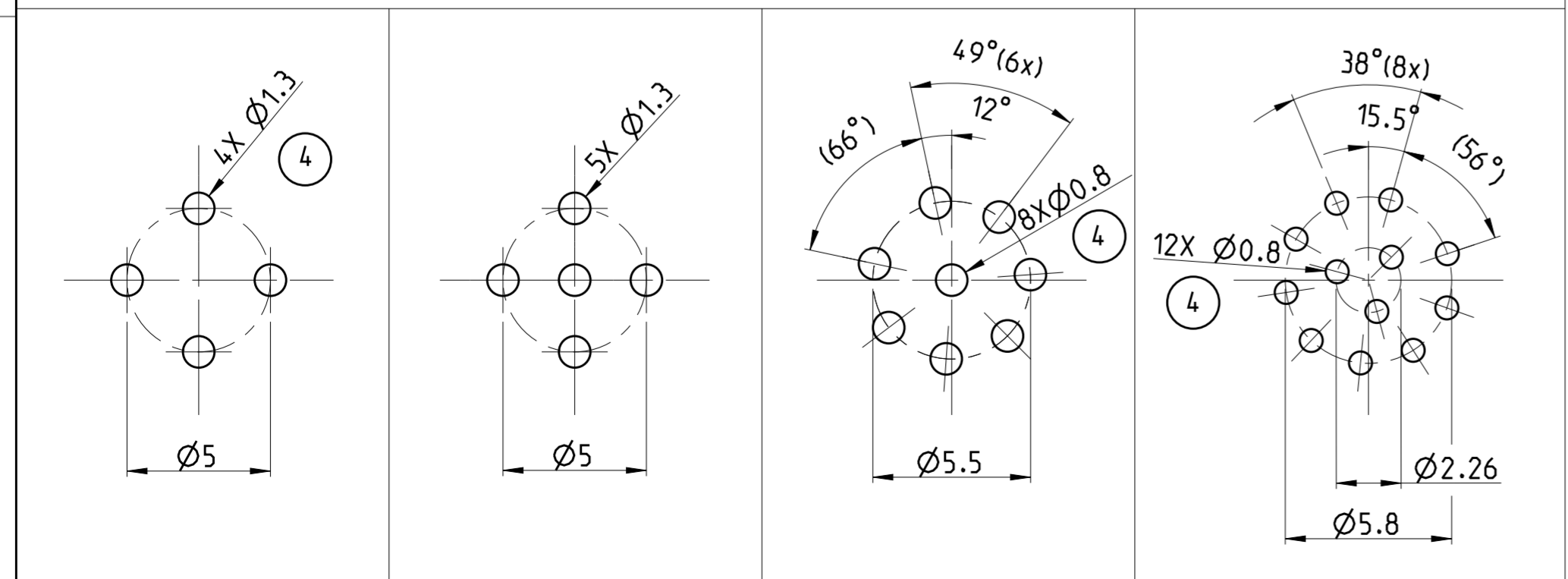
| TECHNICAL DATA | 3-2271143-2 | 4-2271143-2 | 5-2271143-2 | 6-2271143-2 |
|-----------------------|-------------|-------------|-------------|-------------|
| RATED VOLTAGE | 250V | 125V | 60V | 30V |
| RATED IMPULSE VOLTAGE | 2500V | 1500V | 800V | 500V |
| POLLUTION DEGREE | 3 | 3 | 3 | 3 |
| OVERVOLTAGE CATEGORY | II | II | II | II |
| MATERIAL GROUP | II | II | II | II |
| RATED CURRENT | 4A | 4A | 2A | 2A |
| VOLUME RESISTIVITY | ≤ 3mΩ | ≤ 3mΩ | ≤ 3mΩ | ≤ 3mΩ |
| DEGREE OF PROTECTION | IP68 | IP68 | IP68 | IP68 |
| UPPER TEMPERATURE | +85 °C | +85 °C | +85 °C | +85 °C |
| LOWER TEMPERATURE | -40 °C | -40 °C | -40 °C | -40 °C |



PIN ARRANGEMENT
 A-CODING (SCALE 2:1)



PCB LAYOUT



SIZE ISO 14405 (E)

3-2 AS SHOWN
 WIE GEZEICHNET

| WIRES | MATERIAL | NUMBER OF POLES | TE-PART-NO. |
|--------------------------|----------|-----------------|------------------------|
| 24 / 0.25mm ² | ⚠ | 12 | 6-2271143-2 |
| 24 / 0.25mm ² | ⚠ | 8 | 5-2271143-2 |
| 24 / 0.25mm ² | ⚠ | 5 | 4-2271143-2 |
| 24 / 0.25mm ² | ⚠ | 4 | 3-2271143-2 |

DIESE ZEICHNUNG IST EIN KONTROLLIERTES DOKUMENT.
 BEMASSUNGEN UND TOLERANZEN GEMAESS GPS (ISO STANDARDS).

THIS DRAWING IS A CONTROLLED DOCUMENT.
 DIMENSIONING AND TOLERANCING PER GPS (ISO STANDARDS).

DIMENSIONS: MASSE IN MILLIMETERN (MM)
 TOLERANCES UNLESS OTHERWISE SPECIFIED: ALLGEMEINTOLERANZEN

MATERIAL: SEE NOTES
 FINISH/OBERFLÄCHE/FARBE: SEE NOTES

DWN: YASHKUMAR 15MAY2014
 CHK: M.STRELOW 15MAY2014
 APVD: C.SCHREITLINGER 15MAY2014

PRODUCT SPEC: 108-19483
 APPLICATION SPEC: 114-32127

WEIGHT: -
 CUSTOMER DRAWING

STE TE Connectivity

NAME: M12 RECEPTACLE, FEMALE, PCB MOUNT, PANEL REAR, STRAIGHT, A-CODED

SIZE: A2 CAGE CODE: 00779 DRAWING NO: C-2271143

SCALE: 4:1 SHEET: 1 OF 1 REV: A4

X-ON Electronics

Largest Supplier of Electrical and Electronic Components

Click to view similar products for [Circular Metric Connectors](#) category:

Click to view products by [TE Connectivity](#) manufacturer:

Other Similar products are found below :

[600X518037X](#) [6STD15PCR99B70A](#) [8R4000A16M020](#) [8R5000A16M005](#) [1200910002](#) [1203580030](#) [1200910008](#) [1200910011](#) [1300140094](#)
[130203-0054](#) [1300140026](#) [1300150099](#) [RF-12S1N8A90DU](#) [1612618](#) [21036836414](#) [8R4006A16M010](#) [1604232](#) [1R3006A20M005](#) [RF-](#)
[12P1N8A80DU](#) [RF-12P1N8A90DU](#) [41-40011](#) [42-00006](#) [42-01015](#) [4-22279-4](#) [4-22281-1](#) [4-22284-9](#) [43-00113](#) [43-01088](#) [43-01203](#) [41-](#)
[40013](#) [42-00008](#) [43-00343](#) [43-01032](#) [43-01162](#) [43-01173](#) [43-10000](#) [XS3P-M421-2](#) [600X518050X](#) [SACC-DSI-FS-5P-PG9-L180 SC](#)
[8R5006A16M020](#) [8R5006A16M005](#) [8R4000A16M010](#) [6-22279-3](#) [1605332](#) [N03FA03144](#) [1300140077](#) [43-16213](#) [43-01338](#) [XS2RD4265](#)
[XS2R-D426-1](#)