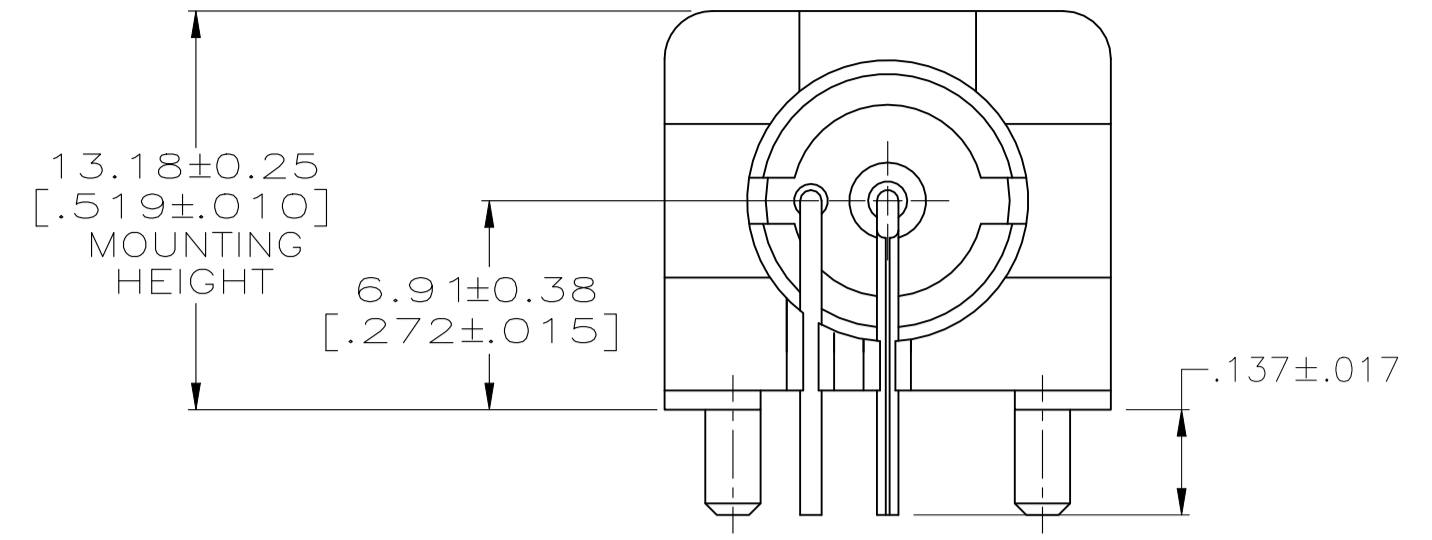
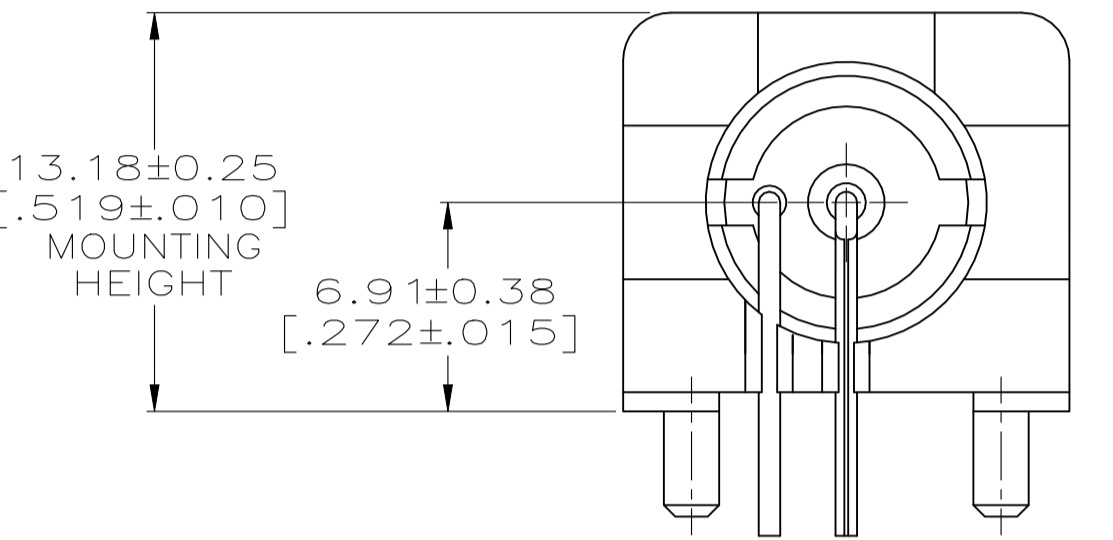


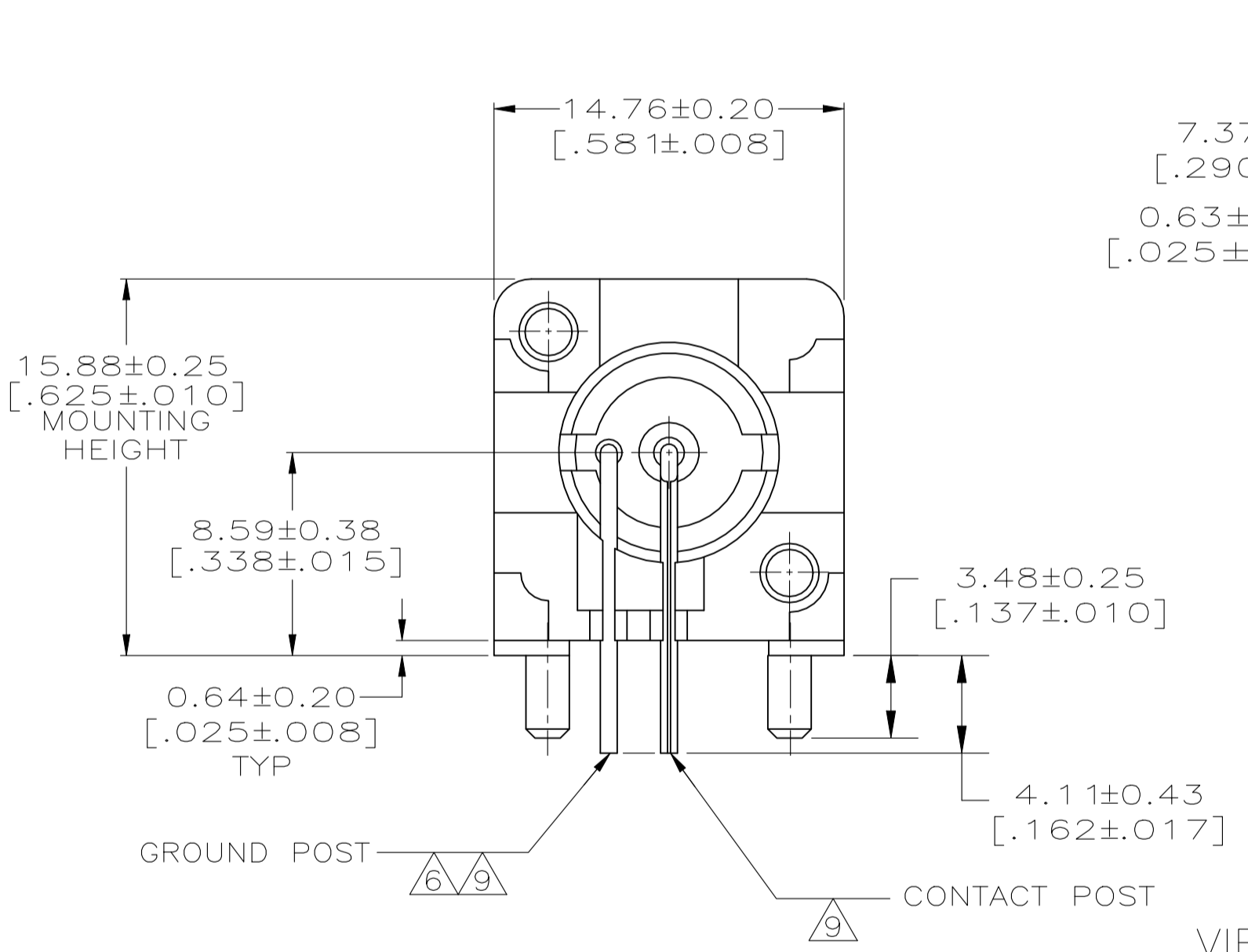
REVISIONS					
P	LTR	DESCRIPTION	DATE	DN	APVD
B4		REVISED PER ECN-21-122181	26OCT2021	RZ	WK



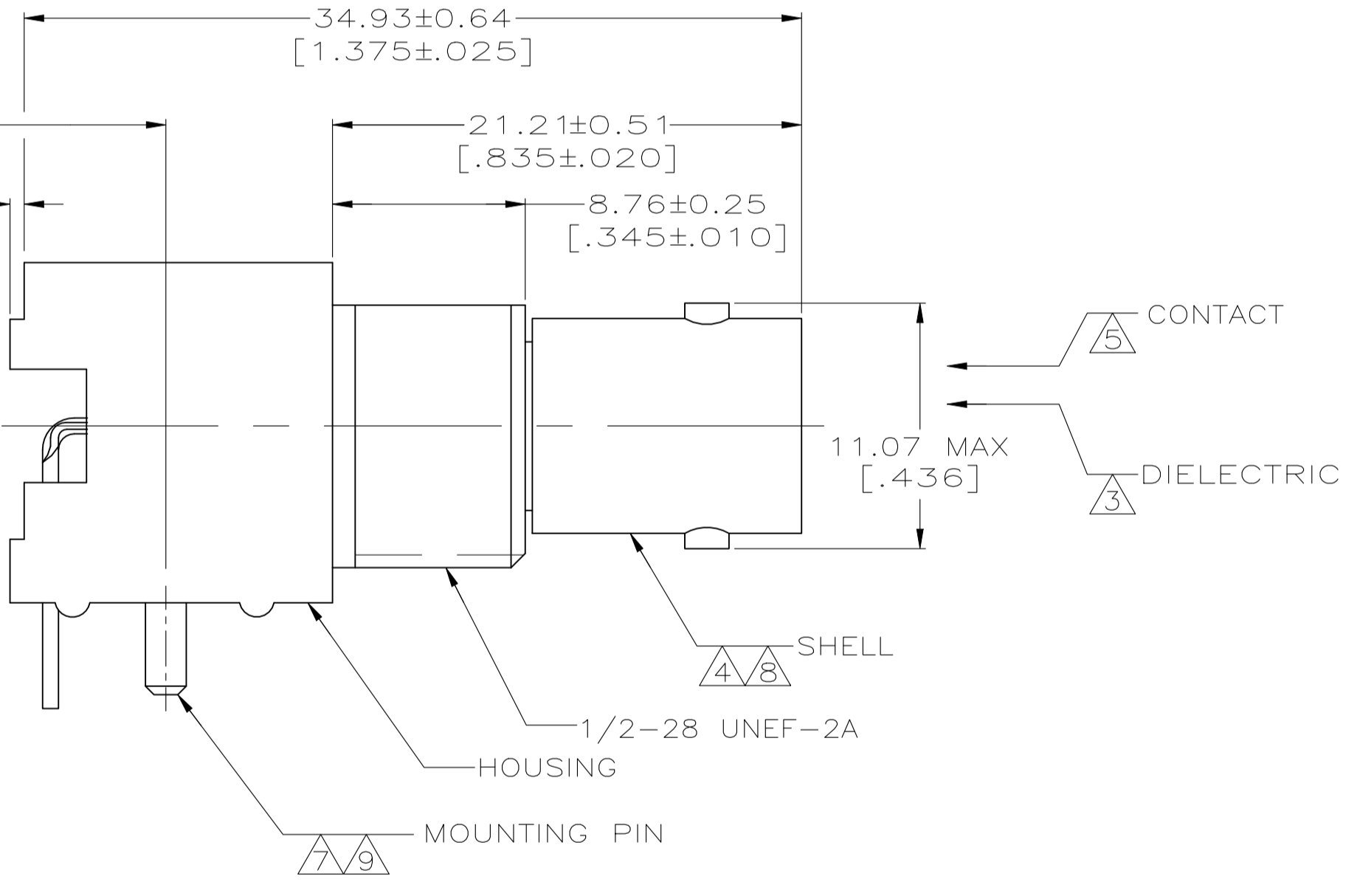
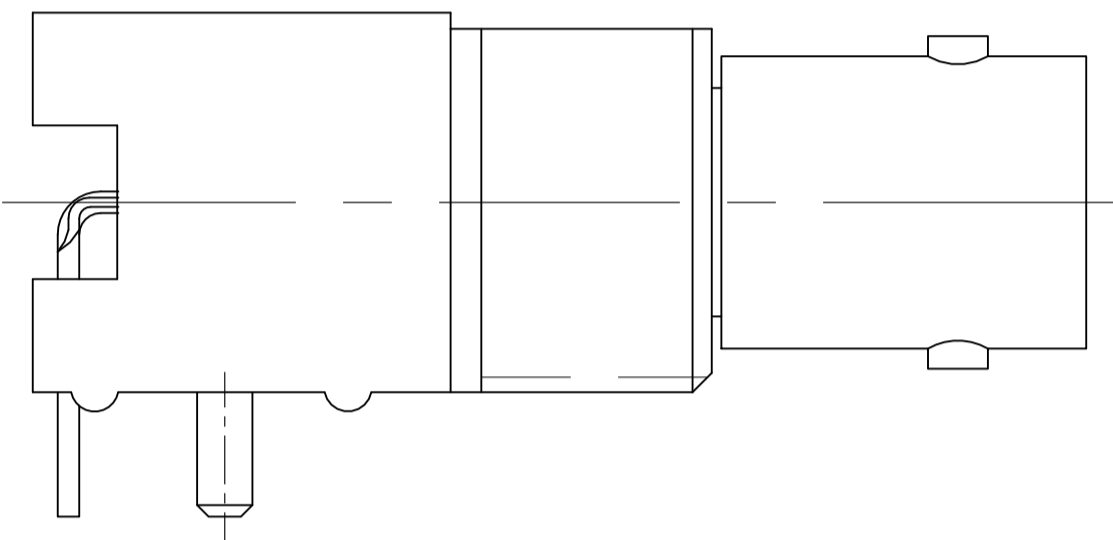
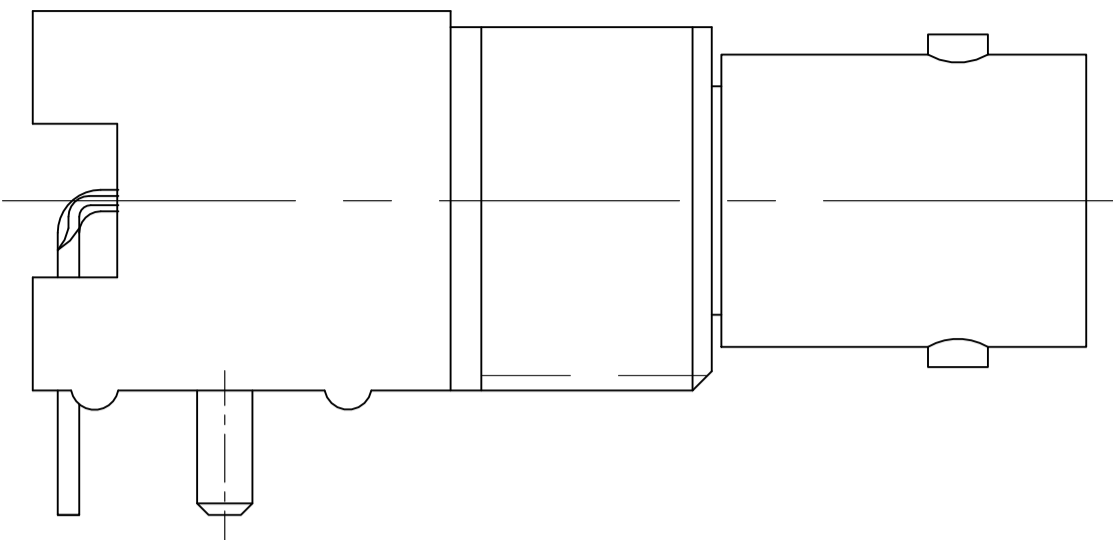
VIEW D
(SAME AS VIEW A
EXCEPT AS SHOWN)



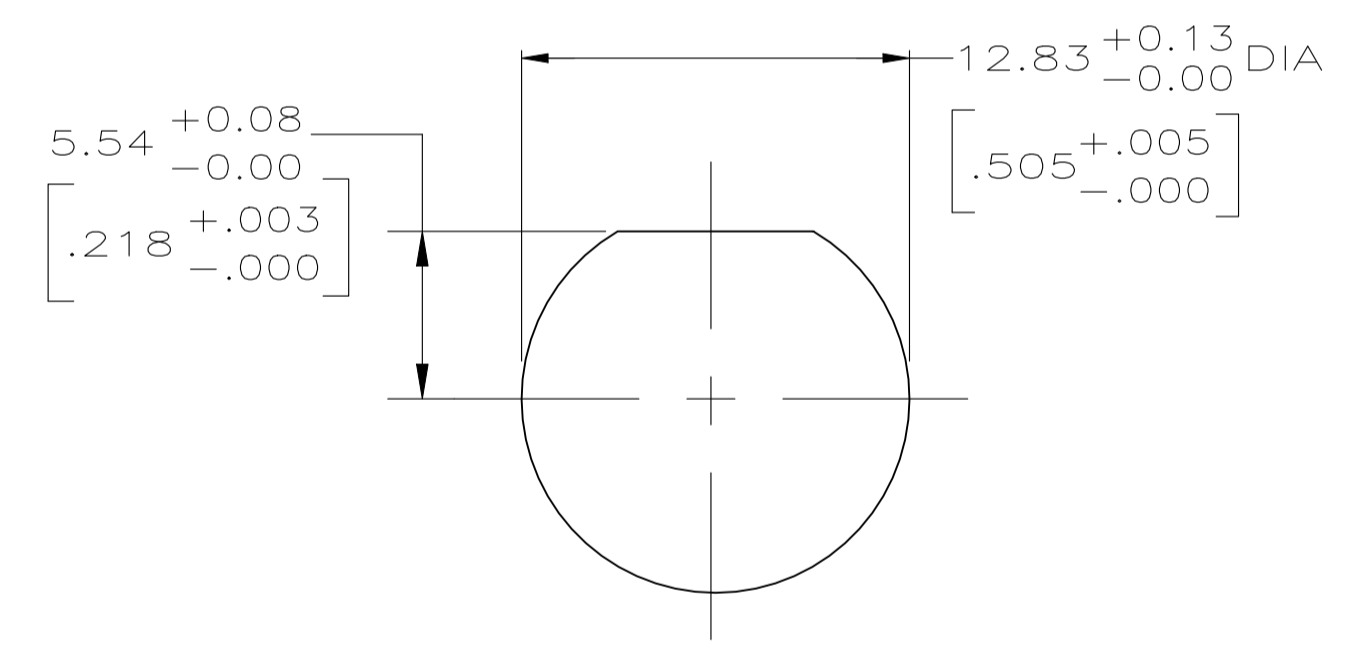
VIEW C
(SAME AS VIEW A
EXCEPT AS SHOWN)



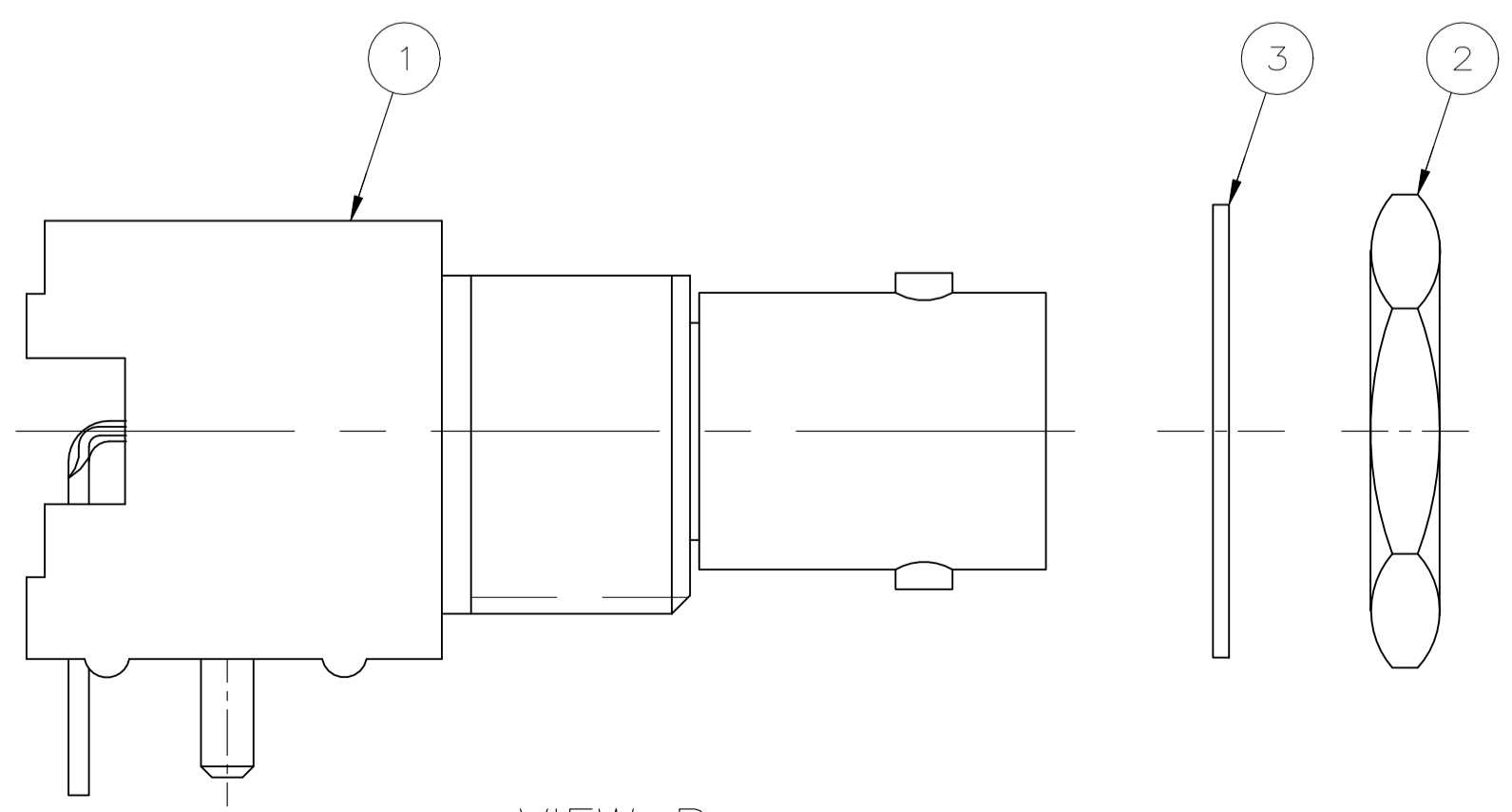
VIEW A



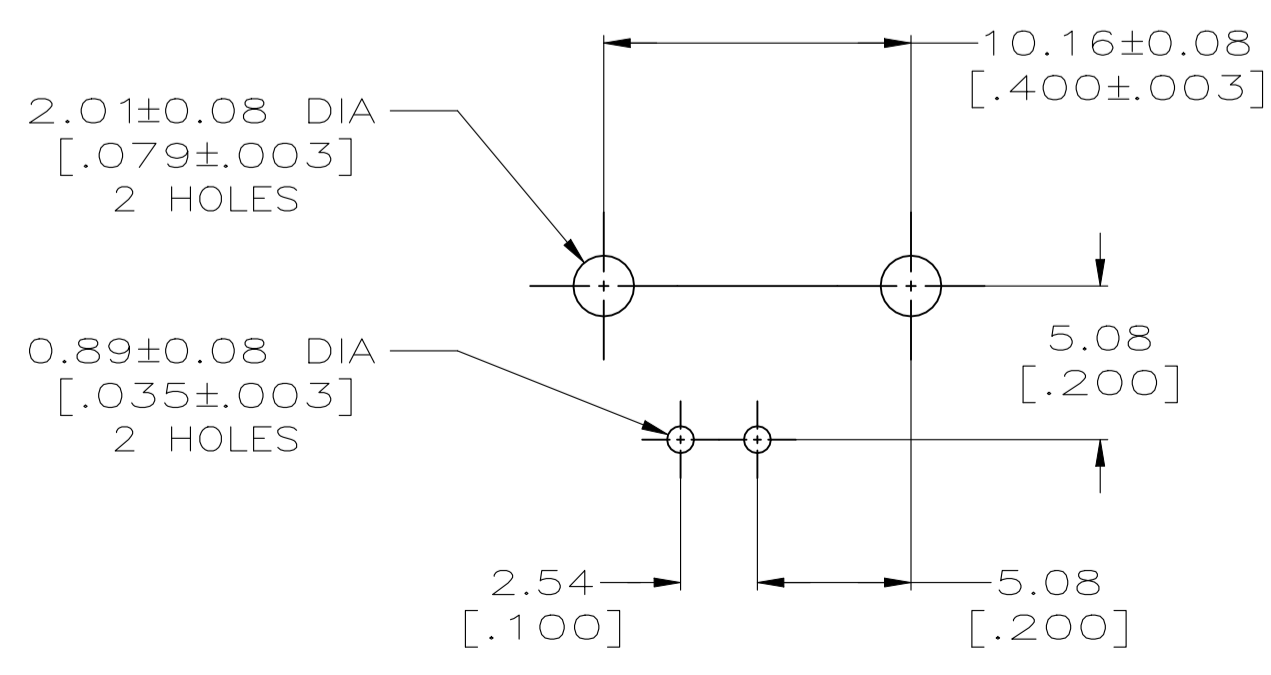
- 1 POLYESTER PBT PER MIL-M-24519, TYPE GPT-15F, UL94V-O RATED, COLOR:WHITE
- 2 POLYESTER PBT PER MIL-M-24519, TYPE GPT-15F, UL94V-O RATED, COLOR:BLACK
- 3 POLYMETHYLPENTENE, GENERAL PURPOSE.
- 4 ZINC PER QQ-Z-363.
- 5 PHOSPHOR BRONZE PER QQ-B-750.
- 6 BRASS PER ASTM-B-453.
- 7 BRASS PER ASTM-B-16.
- 8 NICKEL PLATE PER QQ-N-290, 3.81 μm [.000150] MINIMUM THICK.
- 9 TIN PLATE PER ASTM-B-545, 3.81 μm [.000150] MINIMUM THICK.
- 10 GOLD PLATE PER MIL-G-45204, 0.76 μm [.000030] MINIMUM THICK.
- 11 GOLD PLATE PER MIL-G-45204, 1.27 μm [.000050] MINIMUM THICK.
- 12. SEE INSTRUCTION SHEET 408-2769.
- 13. RECOMMENDED TORQUE FOR NUT(part 2) : 0.9 Nm.



RECOMMENDED PANEL CUTOUT



VIEW B



PCB CONFIGURATION

CONTACT FINISH	HOUSING MATERIAL	VIEW	LOCKWASHER	JAM NUT	ASSEMBLY	PART NUMBER
10	2	D	-	-	-	1-5227161-8
-	-	B	1-329632-2	1-329631-2	5227161-9	1-5227161-7
-	-	B	1-329632-2	1-329631-2	5227161-6	1-5227161-6
10	2	C	-	-	-	1-5227161-5
10	2	C	-	-	-	5227161-9
10	2	C	-	-	-	5227161-7
10	2	A	-	-	-	5227161-6
10	2	A	-	-	-	5227161-3
9	2	A	-	-	-	5227161-2
9	2	A	-	-	-	5227161-1

THIS DRAWING IS A CONTROLLED DOCUMENT.

DIMENSIONS: INCHES	TOLERANCES UNLESS OTHERWISE SPECIFIED:	DIN L. VARELA - DOCKS	TE Connectivity
0. PLC ± -	1. PLC ± -	APVD J. HAVENER	NAME S. BURKHOLDER
2. PLC ± 0.05 [.002]	3. PLC ± -	PRODUCT SPEC 108-12078	JACK, RIGHT ANGLE, 50 OHM, PCB, BNC
4. PLC ± -	ANGLES ± -	SIZE A1	CAGE CODE 00779
MATERIAL	FINISH	WEIGHT 0.000000	DRAWING NO. 5227161
CUSTOMER DRAWING		SCALE 4:1	SHEET 1 of 1 REV B4

X-ON Electronics

Largest Supplier of Electrical and Electronic Components

Click to view similar products for [RF Connectors / Coaxial Connectors](#) category:

Click to view products by [TE Connectivity](#) manufacturer:

Other Similar products are found below :

[8915-1511-000](#) [89674-0827](#) [6001-7071-019](#) [6002-7051-003](#) [6002-7551-202](#) [6059674-1](#) [619550-1](#) [630059-000](#) [M39030/3-01N](#) [6500-7071-046](#) [6769](#) [CX050L2AQ](#) [7002-1541-010](#) [7002-1542-011](#) [7004-1512-000](#) [7009-1511-004](#) [7010-1511-000](#) [7029-1511-060](#) [7101-1541-010](#) [7101-1571-002](#) [7145-1521-002](#) [7203-1571-003](#) [7209-1511-011](#) [7210-1511-015](#) [7210-1511-019](#) [73137-5015](#) [73216-2241](#) [73404-2300](#) [7405-1521-005](#) [7405-1521-802](#) [8527](#) [8547](#) [FS11V](#) [877931](#) [8808-1511-001](#) [9049-9513-000](#) [9074-9513-000](#) [9101-9573-002](#) [910A205F](#) [9130-9573-002](#) [PL11SC-026](#) [PL375-33](#) [PL40-5](#) [PL74C-221](#) [PL75MC-217](#) [PL803-7](#) [1200690078](#) [1-201144-1](#) [R107003010W](#) [R110A172100](#)