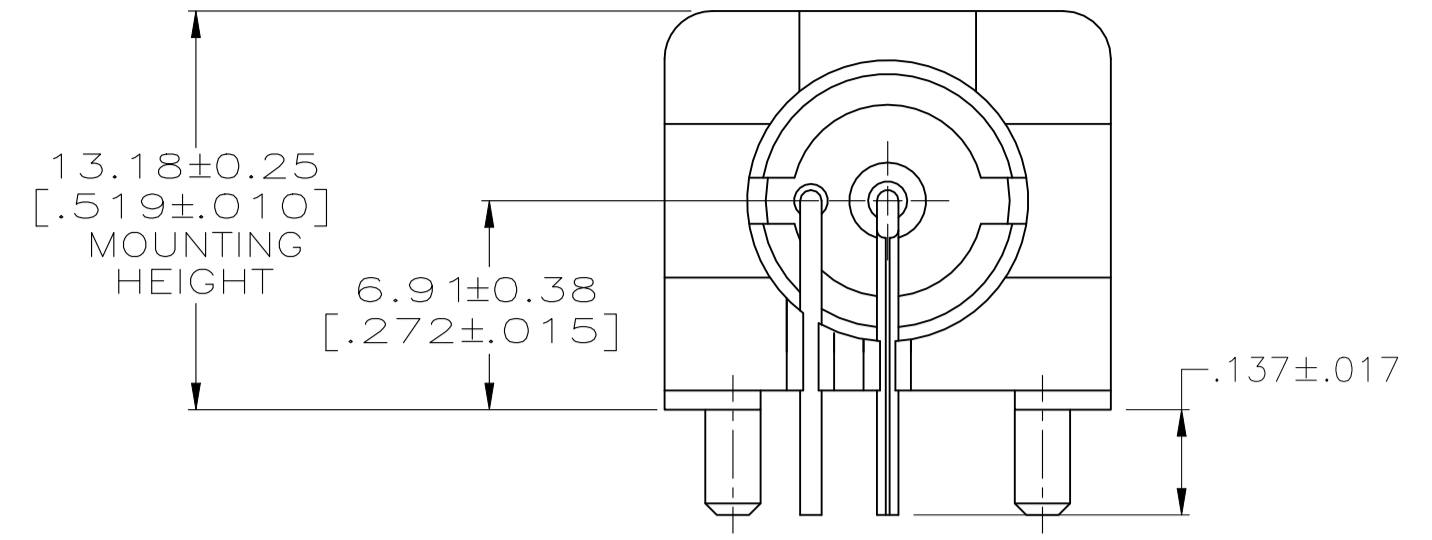
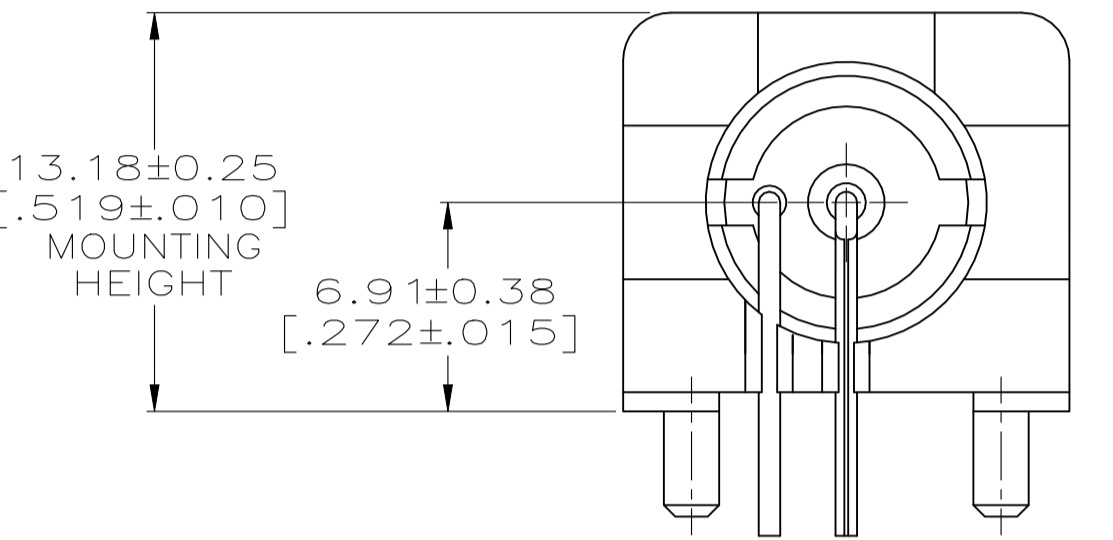


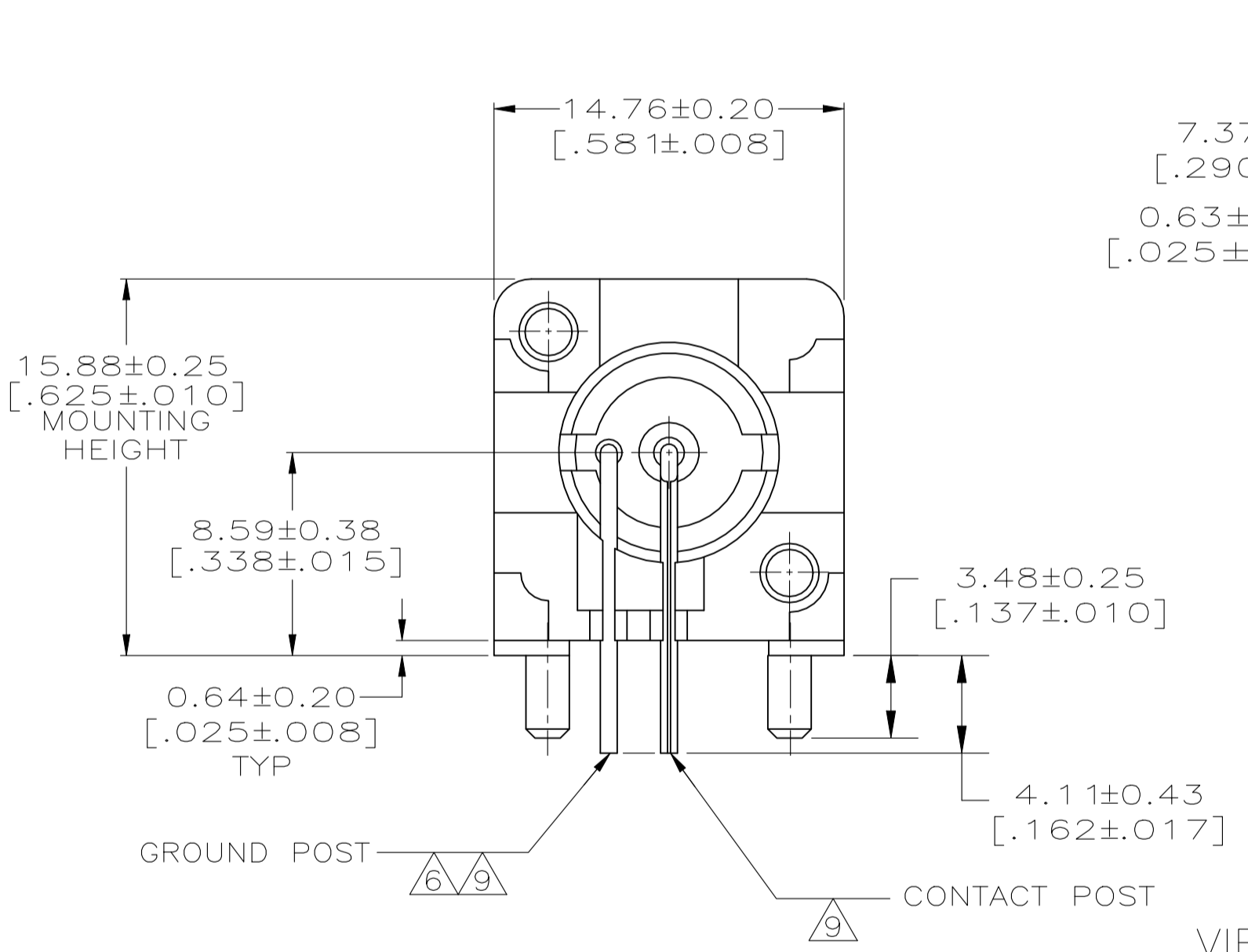
| REVISIONS |     |                           |           |    |      |
|-----------|-----|---------------------------|-----------|----|------|
| P         | LTR | DESCRIPTION               | DATE      | DN | APVD |
| B4        |     | REVISED PER ECN-21-122181 | 26OCT2021 | RZ | WK   |



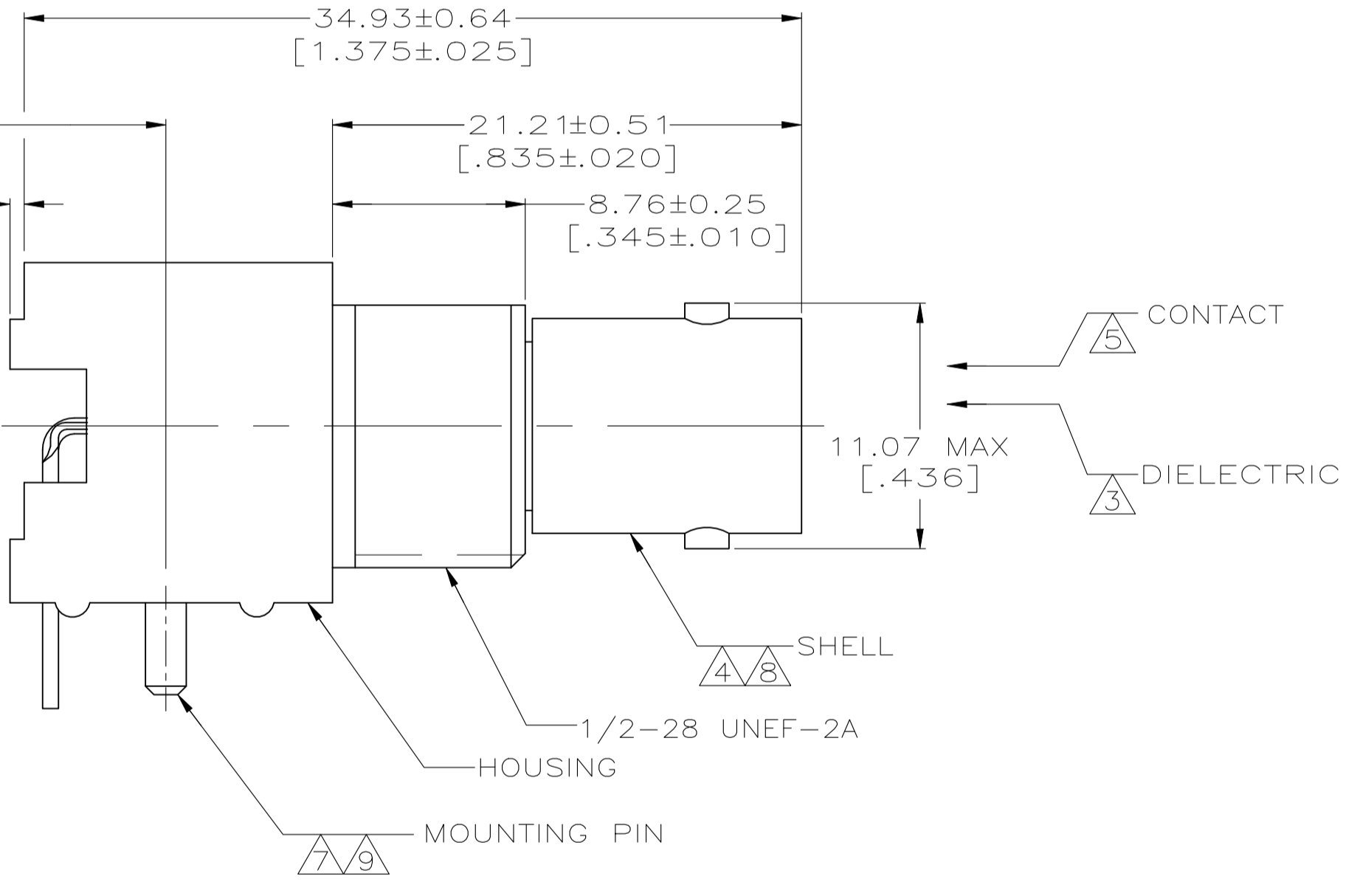
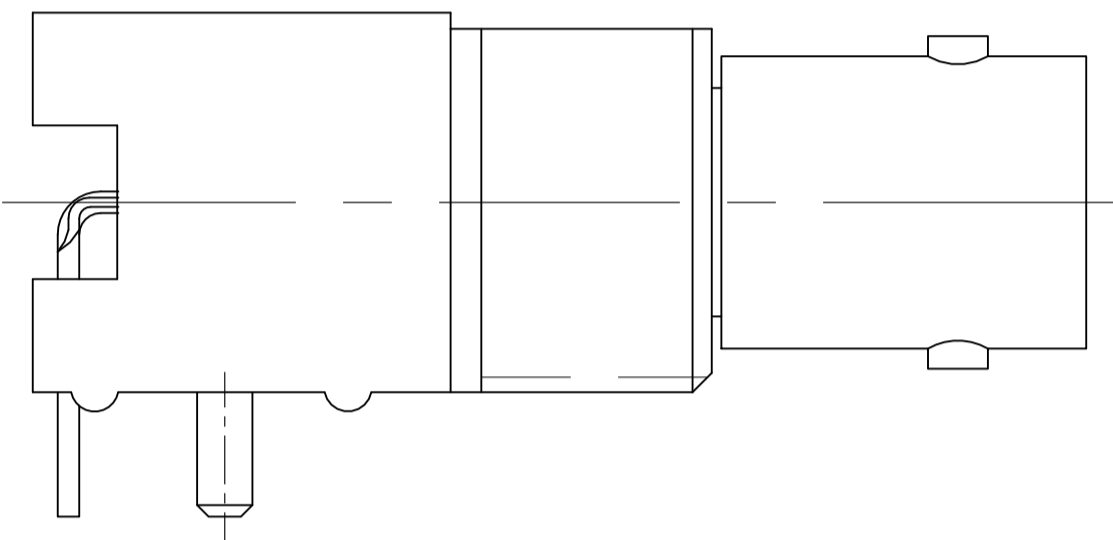
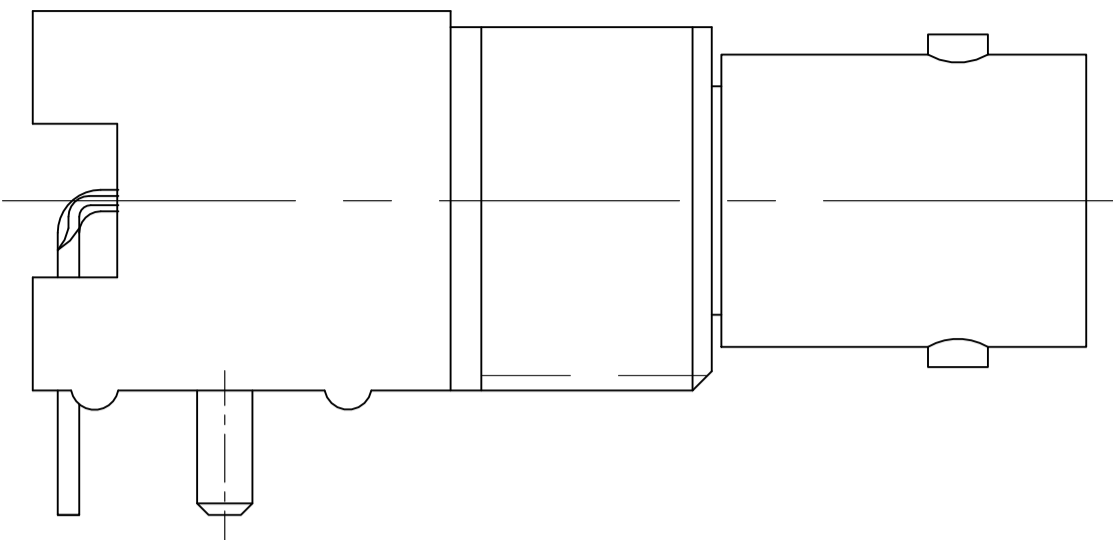
VIEW D  
(SAME AS VIEW A  
EXCEPT AS SHOWN)



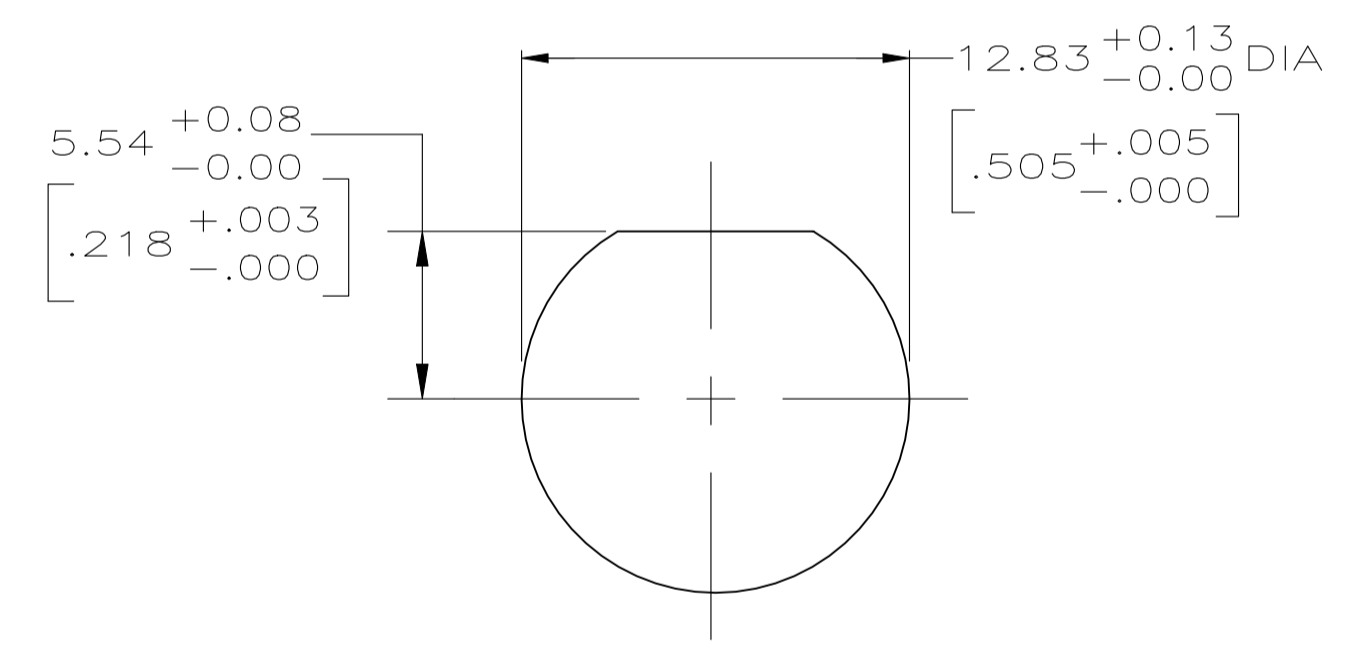
VIEW C  
(SAME AS VIEW A  
EXCEPT AS SHOWN)



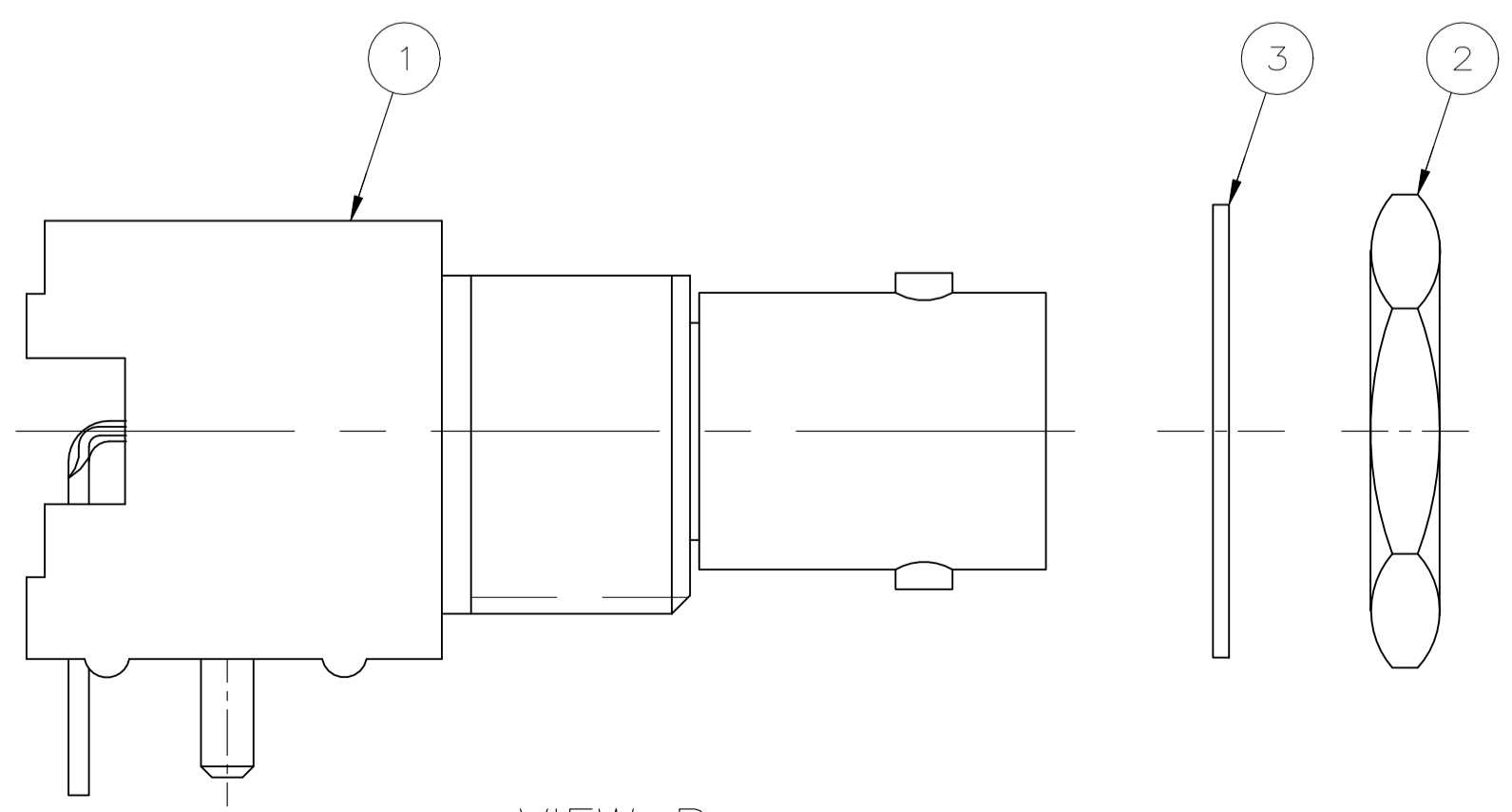
VIEW A



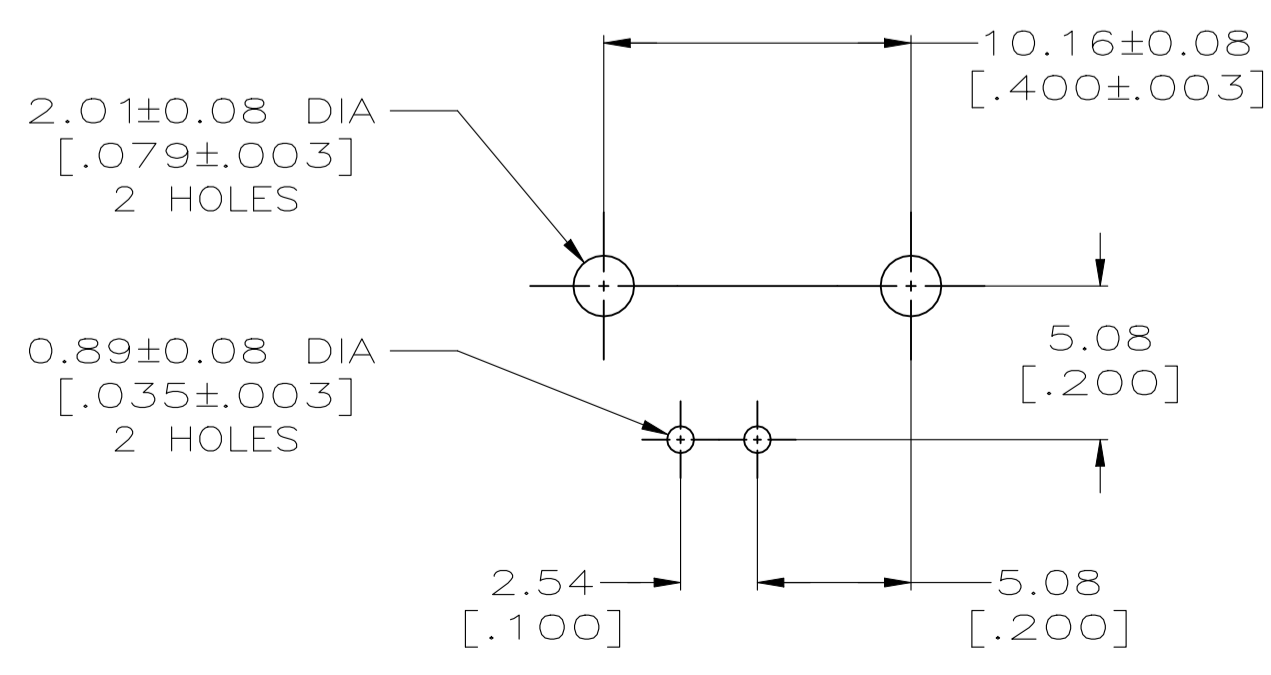
- 1 POLYESTER PBT PER MIL-M-24519, TYPE GPT-15F, UL94V-O RATED, COLOR:WHITE
- 2 POLYESTER PBT PER MIL-M-24519, TYPE GPT-15F, UL94V-O RATED, COLOR:BLACK
- 3 POLYMETHYLPENTENE, GENERAL PURPOSE.
- 4 ZINC PER QQ-Z-363.
- 5 PHOSPHOR BRONZE PER QQ-B-750.
- 6 BRASS PER ASTM-B-453.
- 7 BRASS PER ASTM-B-16.
- 8 NICKEL PLATE PER QQ-N-290, 3.81 μm [.000150] MINIMUM THICK.
- 9 TIN PLATE PER ASTM-B-545, 3.81 μm [.000150] MINIMUM THICK.
- 10 GOLD PLATE PER MIL-G-45204, 0.76 μm [.000030] MINIMUM THICK.
- 11 GOLD PLATE PER MIL-G-45204, 1.27 μm [.000050] MINIMUM THICK.
- 12. SEE INSTRUCTION SHEET 408-2769.
- 13. RECOMMENDED TORQUE FOR NUT(part 2) : 0.9 Nm.



RECOMMENDED PANEL CUTOUT



VIEW B



PCB CONFIGURATION

| CONTACT FINISH | HOUSING MATERIAL | VIEW | LOCKWASHER | JAM NUT QTY=1 | ASSEMBLY QTY=1 | PART NUMBER |
|----------------|------------------|------|------------|---------------|----------------|-------------|
| 10             | 2                | D    | -          | -             | -              | 1-5227161-8 |
| -              | -                | B    | 1-329632-2 | 1-329631-2    | 5227161-9      | 1-5227161-7 |
| -              | -                | B    | 1-329632-2 | 1-329631-2    | 5227161-6      | 1-5227161-6 |
| 10             | 2                | C    | -          | -             | -              | 1-5227161-5 |
| 10             | 2                | C    | -          | -             | -              | 5227161-9   |
| 10             | 2                | C    | -          | -             | -              | 5227161-7   |
| 10             | 2                | A    | -          | -             | -              | 5227161-6   |
| 10             | 2                | A    | -          | -             | -              | 5227161-3   |
| 9              | 2                | A    | -          | -             | -              | 5227161-2   |
| 9              | 2                | A    | -          | -             | -              | 5227161-1   |

THIS DRAWING IS A CONTROLLED DOCUMENT.

|                      |  |                        |                                     |
|----------------------|--|------------------------|-------------------------------------|
| DIMENSIONS: INCHES   | TOLERANCES UNLESS OTHERWISE SPECIFIED: | DIN L. VARELA - DOCKS  | TE Connectivity                     |
| 0. PLC ± -           | 1. PLC ± -                             | APVD J. HAVENER        | NAME S. BURKHOLDER                  |
| 2. PLC ± 0.05 [.002] | 3. PLC ± -                             | PRODUCT SPEC 108-12078 | JACK, RIGHT ANGLE, 50 OHM, PCB, BNC |
| 4. PLC ± -           | ANGLES ± -                             | SIZE A1                | SCALE 4:1                           |
| MATERIAL             | FINISH                                 | WEIGHT 0.000000        | DRAWING NO. 00779                   |
|                      |  | CUSTOMER DRAWING       | REV B4                              |

## X-ON Electronics

Largest Supplier of Electrical and Electronic Components

*Click to view similar products for [RF Connectors / Coaxial Connectors](#) category:*

*Click to view products by [TE Connectivity](#) manufacturer:*

Other Similar products are found below :

[8915-1511-000](#) [89674-0827](#) [6001-7071-019](#) [6002-7051-003](#) [6002-7551-202](#) [6059674-1](#) [619550-1](#) [630059-000](#) [M39030/3-01N](#) [6500-7071-046](#) [6769](#) [CX050L2AQ](#) [7002-1541-010](#) [7002-1542-011](#) [7004-1512-000](#) [7009-1511-004](#) [7010-1511-000](#) [7029-1511-060](#) [7101-1541-010](#) [7101-1571-002](#) [7145-1521-002](#) [7203-1571-003](#) [7209-1511-011](#) [7210-1511-015](#) [7210-1511-019](#) [73137-5015](#) [73216-2241](#) [73404-2300](#) [7405-1521-005](#) [7405-1521-802](#) [8527](#) [8547](#) [FS11V](#) [877931](#) [9049-9513-000](#) [9074-9513-000](#) [9101-9573-002](#) [910A205F](#) [9130-9573-002](#) [PL11SC-026](#) [PL375-33](#) [PL40-5](#) [PL74C-221](#) [PL75MC-217](#) [PL803-7](#) [980-8666-005](#) [1200690078](#) [1-201144-1](#) [R107003010W](#) [R110A172100](#)