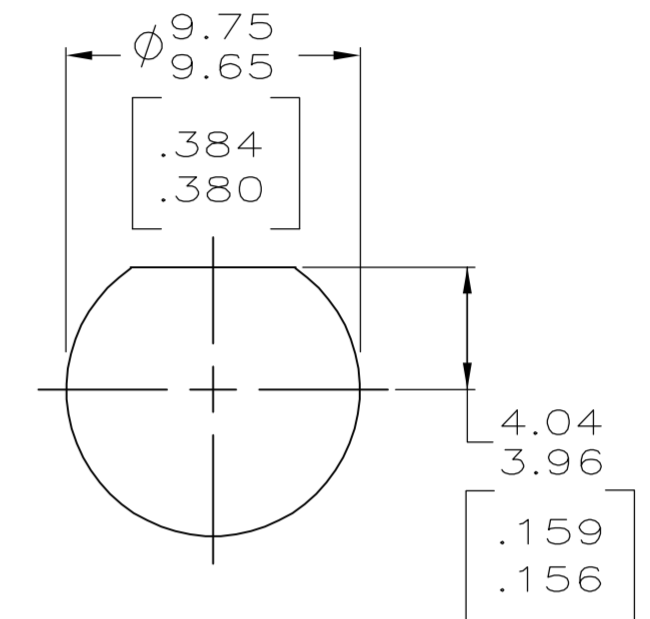
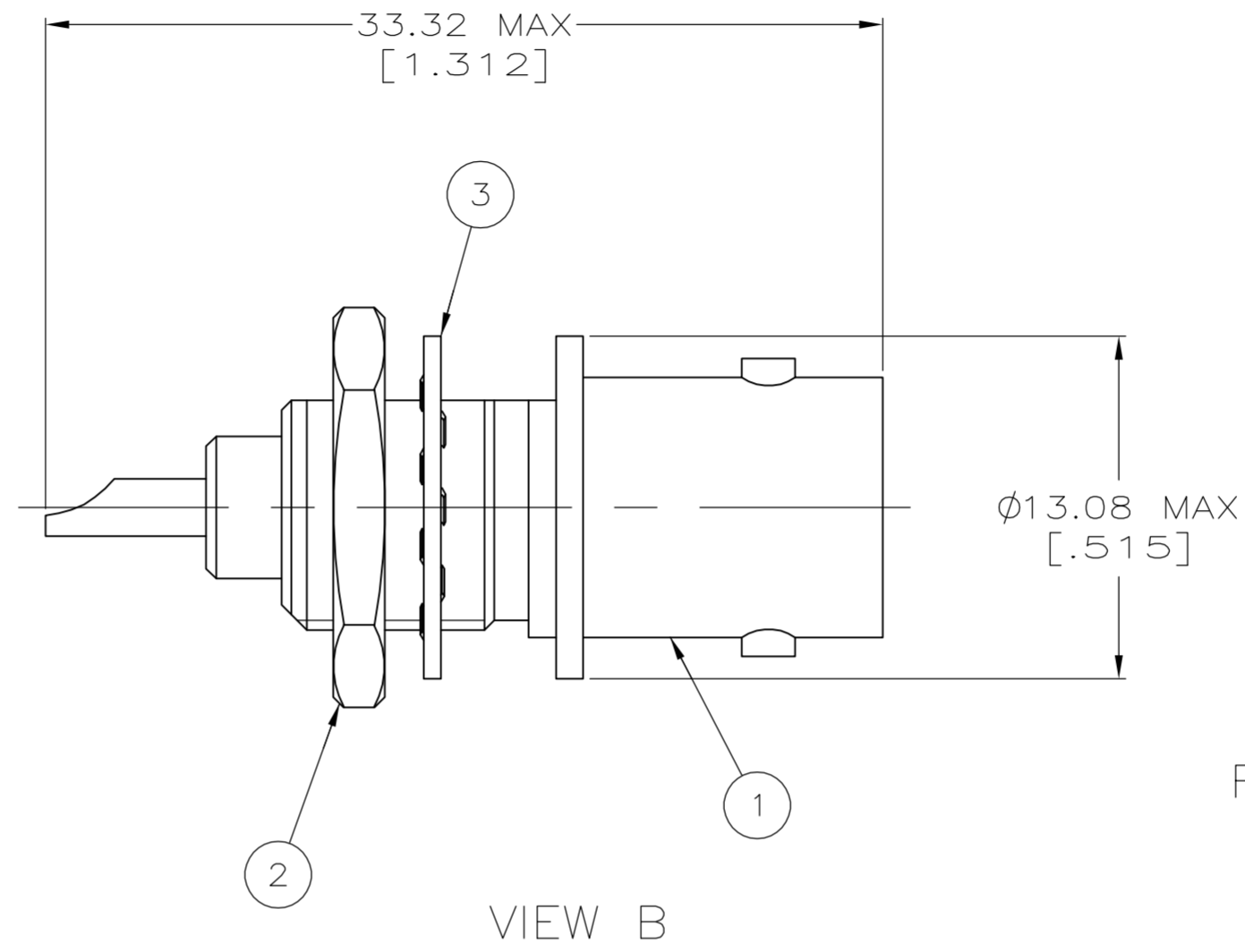
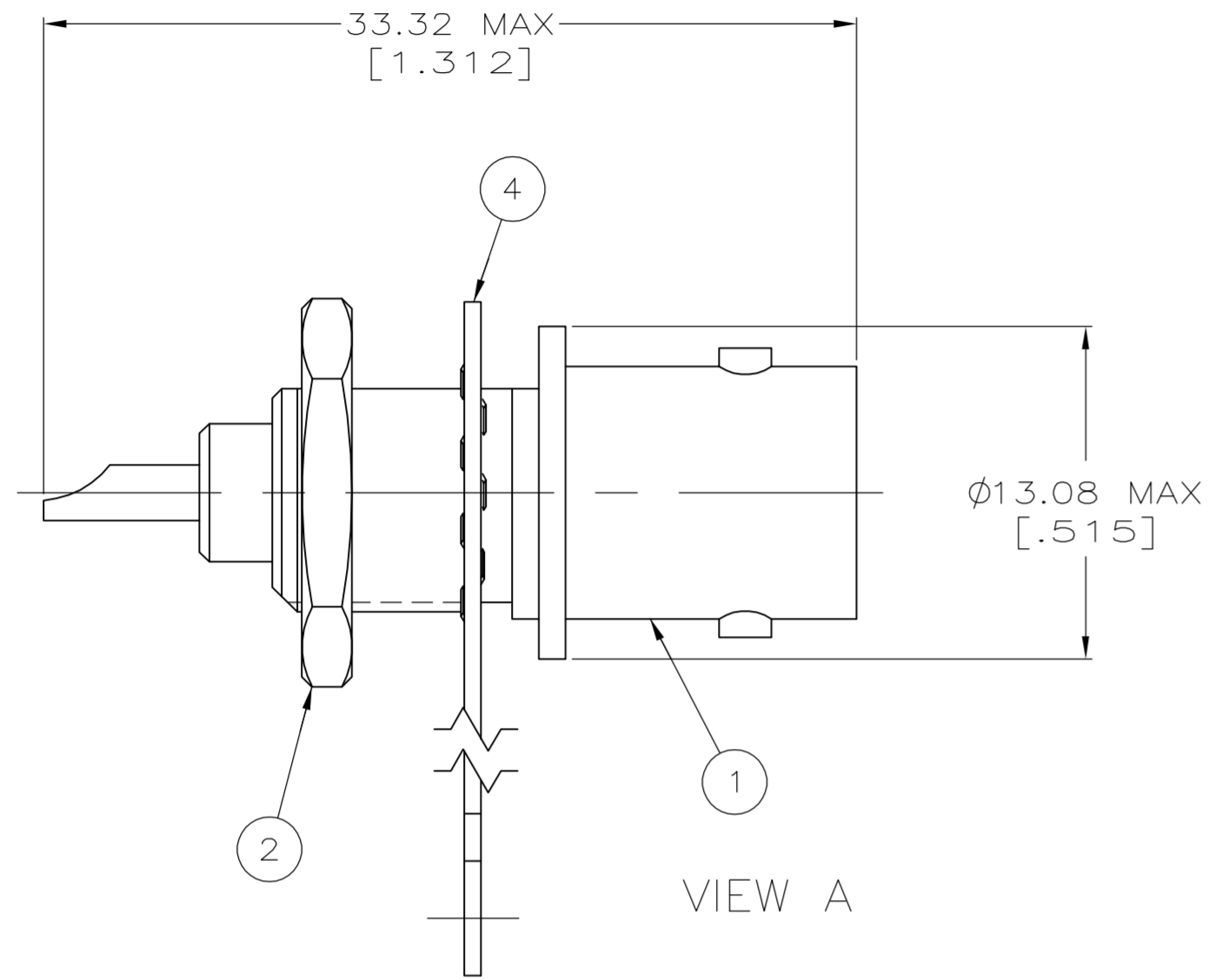


THIS DRAWING IS UNPUBLISHED. RELEASED FOR PUBLICATION  
 © COPYRIGHT BY TYCO ELECTRONICS CORPORATION. ALL RIGHTS RESERVED.

LOC	DIST	REVISIONS			
P	LTR	DESCRIPTION	DATE	DWN	APVD
AJ	16	0	PER EC OS14-0072-05	26APR2005	JA JL



RECOMMENDED PANEL CUTOUT

PRELIMINARY  
NOT RELEASED  
FOR PRODUCTION

1. 6.35 [.250] MAXIMUM PANEL THICKNESS.

.246 OZ	A	9-227260-0	-	1-330249-1	227140-2	5227169-8
.246 OZ	A	9-227260-0	-	1-330249-1	227140-3	5227169-7
.246 OZ	A	9-227260-0	-	1-330249-1	227140-1	5227169-5
.246 OZ	B	-	1-329492-1	1-330249-1	227140-2	5227169-4
WEIGHT	VIEW	④ LOCKWASHER TERMINAL QTY=1	③ LOCKWASHER QTY=1	② JAM NUT QTY=1	① JACK ASSY QTY=1	PART NUMBER

THIS DRAWING IS A CONTROLLED DOCUMENT.

DIMENSIONS: mm [INCHES]	TOLERANCES UNLESS OTHERWISE SPECIFIED:	DWN J. ALCORTA - DOCK5 26APR2005	Tyco Electronics Corporation Harrisburg, Pa 17105-3608
	0 PLC ± - 1 PLC ± - 2 PLC ± - 3 PLC ± - 4 PLC ± - ANGLES ± - FINISH -	CHK J. HAVENER 26APR2005	
MATERIAL	FINISH	APVD J. LIPPERT 26APR2005	NAME SOLDER JACK, 50 OHM, BNC
		PRODUCT SPEC 108-12079	SIZE A2
		APPLICATION SPEC	CAGE CODE 00779
		WEIGHT	DRAWING NO C=5227169
		CUSTOMER DRAWING	RESTRICTED TO
		SCALE 4:1	SHEET 1 OF 1
			REV 0

## X-ON Electronics

Largest Supplier of Electrical and Electronic Components

*Click to view similar products for [RF Connectors / Coaxial Connectors](#) category:*

*Click to view products by [TE Connectivity](#) manufacturer:*

Other Similar products are found below :

[8915-1511-000](#) [89674-0827](#) [6001-7071-019](#) [6002-7051-003](#) [6002-7551-202](#) [6059674-1](#) [619550-1](#) [630059-000](#) [M39030/3-01N](#) [6500-7071-046](#) [6769](#) [CX050L2AQ](#) [7002-1541-010](#) [7002-1542-011](#) [7004-1512-000](#) [7009-1511-004](#) [7010-1511-000](#) [7029-1511-060](#) [7101-1541-010](#) [7101-1571-002](#) [7105-1521-002](#) [7145-1521-002](#) [7203-1571-003](#) [7209-1511-011](#) [7210-1511-015](#) [7210-1511-019](#) [73137-5015](#) [73216-2241](#) [73404-2300](#) [7405-1521-005](#) [7405-1521-802](#) [8527](#) [8547](#) [FS11V](#) [877931](#) [9049-9513-000](#) [9074-9513-000](#) [9101-9573-002](#) [910A205F](#) [9130-9573-002](#) [PL11SC-026](#) [PL375-33](#) [PL40-5](#) [PL74C-221](#) [PL75MC-217](#) [PL803-7](#) [1200690078](#) [1-201144-1](#) [R107003010W](#) [R110A172100](#)