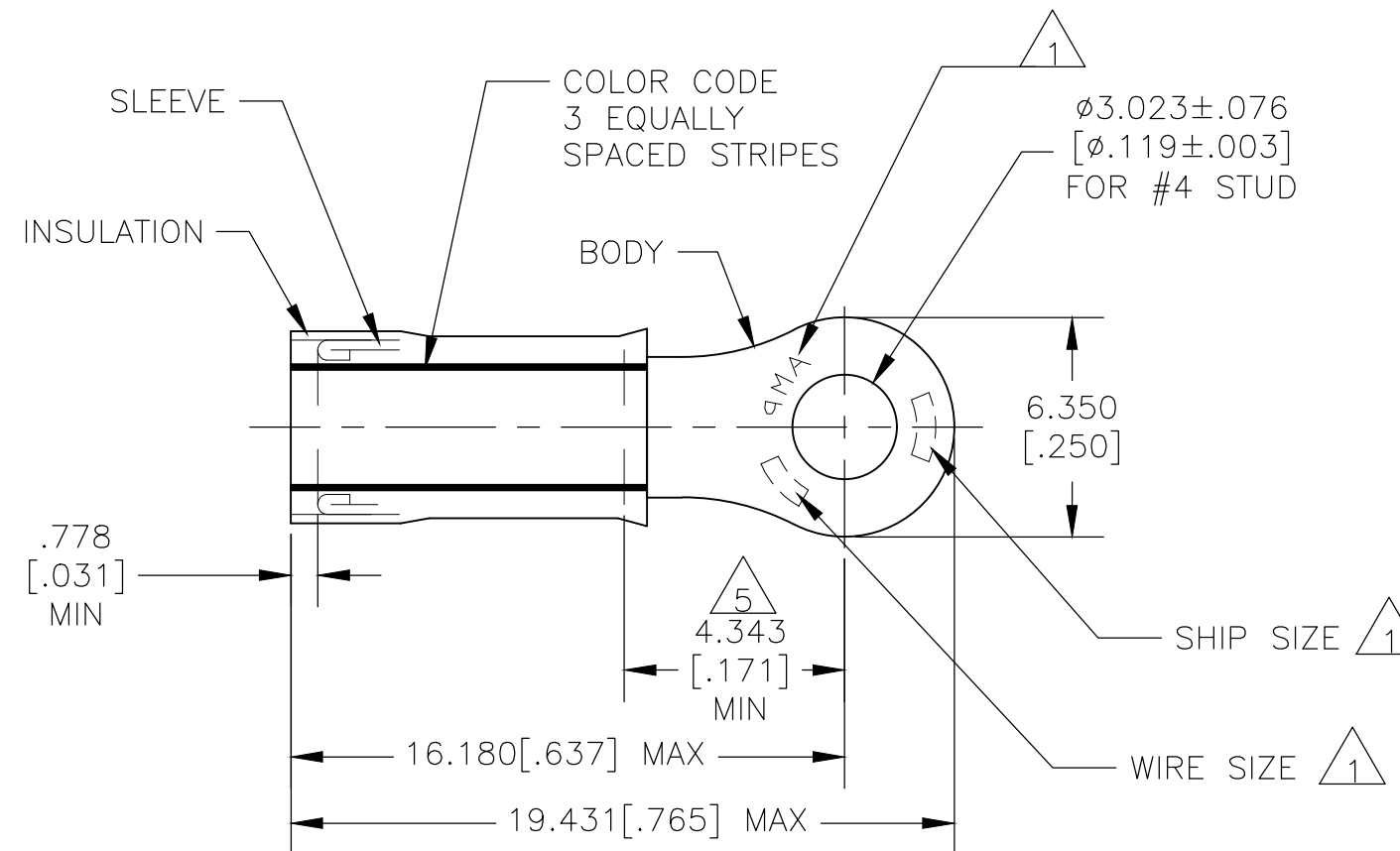


THIS DRAWING IS UNPUBLISHED. RELEASED FOR PUBLICATION  
 © COPYRIGHT - By - ALL RIGHTS RESERVED.

LOC	DIST	REVISIONS			
P	LTR	DESCRIPTION	DATE	DWN	APVD
G	14	H1	REVISED PER ECO-19-007720	22MAY2020	KR DR

<b>AMP</b> WIRE RANGE	LR7189 Certified
16-14 AWG STRANDED	WIRE SIZE PER STRANDED STRANDED



- 1 STAMP "AMP [ ]", SEE TABLE APPROX AS SHOWN.
- 2 WIRE INSULATION DIA: SEE TABLE.
- 3 BODY MATERIAL THK: 0.787[.031]±0.051[.002].
- 4 BODY & SLEEVE: CU PER ASTM B152  
BODY & SLEEVE: TIN PLATE .000100 MIN  
EXT THK PER ASTM B545  
INSULATION: NYLON PER ASTM D4066,  
COLOR-BLUE.
- 5 APPLIES FROM EDGE OF METAL WIRE BARREL  
TO CENTER OF STUD HOLE.
- 6 MEETS M7928/1-38, CLASS 1 & 2.
- 7 MEETS M7928/1-47, CLASS 1 & 2.

PART NO	WIRE SIZE	COLOR CODE	INSULATION DIA	WIRE	SHIP SIZE
52274-1	14	GREEN	1.981[.078]-3.312[.130]	14*	4
52274	16	BLUE	1.600[.063]-3.302[.130]	16*	2 1/2
				STAMPING	

QTY	PACKAGE TYPE	MATERIAL FINISH	PART NO
500	LOOSE PIECE		52274-1
500	LOOSE PIECE		52274

<b>CUSTOMER SERVICE SYSTEMS</b>		MAX RECOMMENDED OPERATING TEMPERATURE: 105°C[221°F] MAX	THIS DRAWING IS A CONTROLLED DOCUMENT.		DWN JR RUTH 13JAN10	TE Connectivity			
FOR ADDITIONAL PRODUCT INFORMATION OR COPIES OF DRAWINGS AND TECHNICAL DOCUMENTS	PRODUCT INFORMATION CENTER 1-800-522-6752	VOLTAGE RATING: 300 V MAX	DIMENSIONS: mm [INCHES]	TOLERANCES UNLESS OTHERWISE SPECIFIED:	CHK T MICHIELUTTI 13JAN10	NAME			
FOR APPLICATION TOOLING INFORMATION	TOOLING ASSISTANCE CENTER 1-800-722-1111	CIRCULAR MIL AREA: 1.04-2.62mm <sup>2</sup> [2,050-5,180] STRANDED OR SOLID		0 PLC ± - 1 PLC ± - 2 PLC ± - 3 PLC ± 0.127[.005] 4 PLC ± - ANGLES ± -	APVD T MICHIELUTTI 13JAN10	PRODUCT SPEC			
FOR ORDER ENTRY	1-800-526-5142		MATERIAL SEE TABLE	FINISH SEE TABLE	APPLICATION SPEC 114-2157	SIZE A3	CAGE CODE 00779	DRAWING NO C-52274	RESTRICTED TO
					WEIGHT -	CUSTOMER DRAWING		SCALE 5:1	SHEET 1 of 1
								REV H1	

## X-ON Electronics

Largest Supplier of Electrical and Electronic Components

*Click to view similar products for [Terminals](#) category:*

*Click to view products by [TE Connectivity](#) manufacturer:*

Other Similar products are found below :

[00-054007-01074-6](#) [00-054007-70206-1](#) [00-054007-70210-8](#) [00-054007-70217-7](#) [00-054007-70226-9](#) [00-054007-70228-3](#) [00-054007-70248-1](#) [00-054007-70256-6](#) [00-054007-70301-3](#) [00-054007-70316-7](#) [0-0320562-0](#) [00-054007-49560-4](#) [00-054007-70209-2](#) [00-054007-70225-2](#) [00-054007-70227-6](#) [00-054007-70231-3](#) [00-054007-70241-2](#) [00-054007-70242-9](#) [00-054007-70244-3](#) [00-054007-70246-7](#) [00-054007-70263-4](#) [00-054007-70288-7](#) [00-054007-70290-0](#) [00-054007-70300-6](#) [00-054007-70304-4](#) [01-2065-1-0216](#) [01-2900-1-04412](#) [00581P0075](#) [600TS-10](#) [60205-1](#) [604200-1](#) [605601-1](#) [60598-1-CUT-TAPE](#) [61314-6-C](#) [61810-3](#) [61-S](#) [61-SN](#) [626-0194](#) [62-NBM-A](#) [62-SN](#) [62-SP](#) [63-S](#) [640179-1](#) [M55155/059I03](#) [M55155/079C01](#) [M55155/099H02](#) [M55155/109H01](#) [M55155/109H02](#) [M55155/12XH05](#) [M55155/16XH02](#)