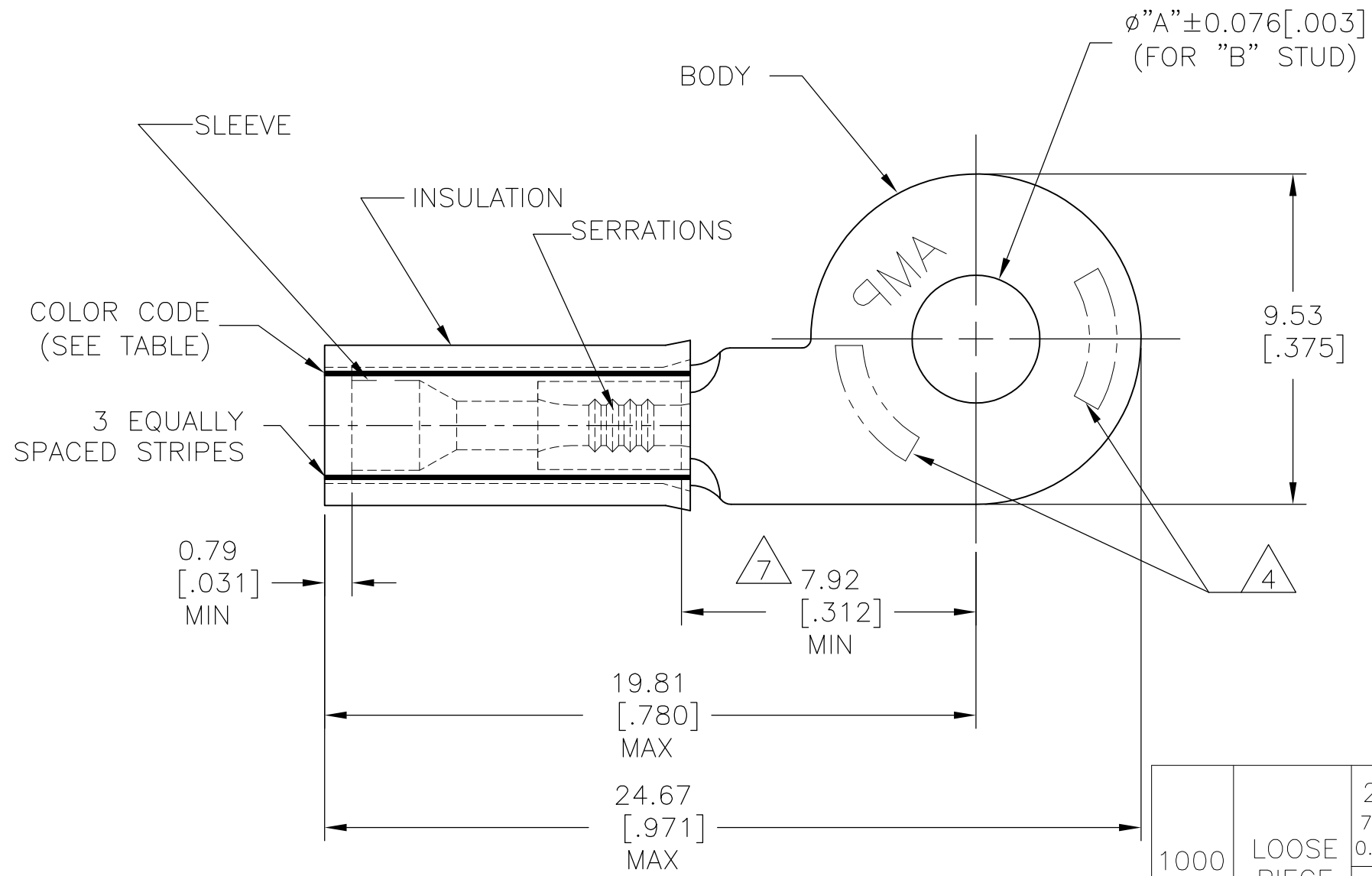


THIS DRAWING IS UNPUBLISHED. RELEASED FOR PUBLICATION  
 © COPYRIGHT - By - ALL RIGHTS RESERVED.

REVISIONS					
P	LTR	DESCRIPTION	DATE	DWN	APVD
G1		REVISED PER ECO-16-014995	19OCT2016	RS	DR



- 1 NOTE DELETED.
- 2 TONGUE MATERIAL THICKNESS:  
0.79±0.05[.031±.002].
- 3 FOR C/D WIRE INS DIA.
- 4 STAMPING (SEE TABLE).
- 5 MATERIAL & FINISH  
BODY & SLEEVE:  
COPPER PER ASTM B152  
TIN PL. PER ASTM B545.
- 6 INSULATION: NYLON ASTM D4066  
COLOR : RED.
- 7 APPLIES FROM EDGE OF METAL WIRE BARREL  
TO CENTER OF STUD HOLE.

1000	LOOSE PIECE	22AWG 754 CMA 0.38 mm <sup>2</sup>	GREEN	3.68 [.145]	M3.5 [#6]	2.79 [.110] 0.96 [.038]	22	1/2	52884-4
		20AWG 1186 CMA 0.60 mm <sup>2</sup>	RED	5.00 [.197] 3.68 [.145]	#10 M3.5 [#6]	2.79 [.110] 1.17 [.046]	20	1	52884-3 52884-2
QTY	PACKAGE TYPE	WIRE SIZE	COLOR CODE	"A"	"B"	'C'	'D'	WIRE SIZE STAMPING	PART NO

CUSTOMER SERVICE SYSTEMS		MAX RECOMMENDED OPERATING TEMPERATURE: 105°C[221°F] MAX	THIS DRAWING IS A CONTROLLED DOCUMENT.		DWN jr_ruth 08JUN09	TE Connectivity WIRE TERMINAL, PIDG-OFF SET, RING TONGUE, INSULATION RESTRICTED				
FOR ADDITIONAL PRODUCT INFORMATION OR COPIES OF DRAWINGS AND TECHNICAL DOCUMENTS	PRODUCT INFORMATION CENTER 1-800-522-6752	VOLTAGE RATING: 300 V MAX	DIMENSIONS: mm [INCHES]	TOLERANCES UNLESS OTHERWISE SPECIFIED:	CHK TOM MICHIELUTTI 08JUN09					
FOR APPLICATION TOOLING INFORMATION	TOOLING ASSISTANCE CENTER 1-800-722-1111	CIRCULAR MIL AREA: SEE TABLE		0 PLC ± - 1 PLC ± - 2 PLC ± - 3 PLC ± 0.20[.008] 4 PLC ± - ANGLES ± 5°	APVD TOM MICHIELUTTI 08JUN09	NAME	SIZE	CAGE CODE	DRAWING NO	RESTRICTED TO
FOR ORDER ENTRY	1-800-526-5142		MATERIAL 5	FINISH 6	PRODUCT SPEC		A3	00779	C-52284	
					APPLICATION SPEC					
					WEIGHT					
					CUSTOMER DRAWING	SCALE	NTS	SHEET	1 OF 1	REV G1

## X-ON Electronics

Largest Supplier of Electrical and Electronic Components

*Click to view similar products for [Terminals](#) category:*

*Click to view products by [TE Connectivity](#) manufacturer:*

Other Similar products are found below :

[00-054007-01074-6](#) [00-054007-70206-1](#) [00-054007-70210-8](#) [00-054007-70217-7](#) [00-054007-70226-9](#) [00-054007-70228-3](#) [00-054007-70248-1](#) [00-054007-70256-6](#) [00-054007-70301-3](#) [00-054007-70316-7](#) [00-054007-49560-4](#) [00-054007-70209-2](#) [00-054007-70225-2](#) [00-054007-70227-6](#) [00-054007-70231-3](#) [00-054007-70241-2](#) [00-054007-70242-9](#) [00-054007-70244-3](#) [00-054007-70246-7](#) [00-054007-70263-4](#) [00-054007-70288-7](#) [00-054007-70290-0](#) [00-054007-70300-6](#) [00-054007-70304-4](#) [01-2065-1-0216](#) [01-2900-1-04412](#) [00581P0075](#) [600TS-10](#) [60205-1](#) [604200-1](#) [605601-1](#) [60598-1-CUT-TAPE](#) [61314-6-C](#) [61810-3](#) [61-S](#) [61-SN](#) [626-0194](#) [62-NBM-A](#) [62-SN](#) [62-SP](#) [63-S](#) [640179-1](#) [M55155/059I03](#) [M55155/079C01](#) [M55155/099H02](#) [M55155/109H01](#) [M55155/109H02](#) [M55155/12XH05](#) [M55155/16XH02](#) [M55155/29-5S](#)