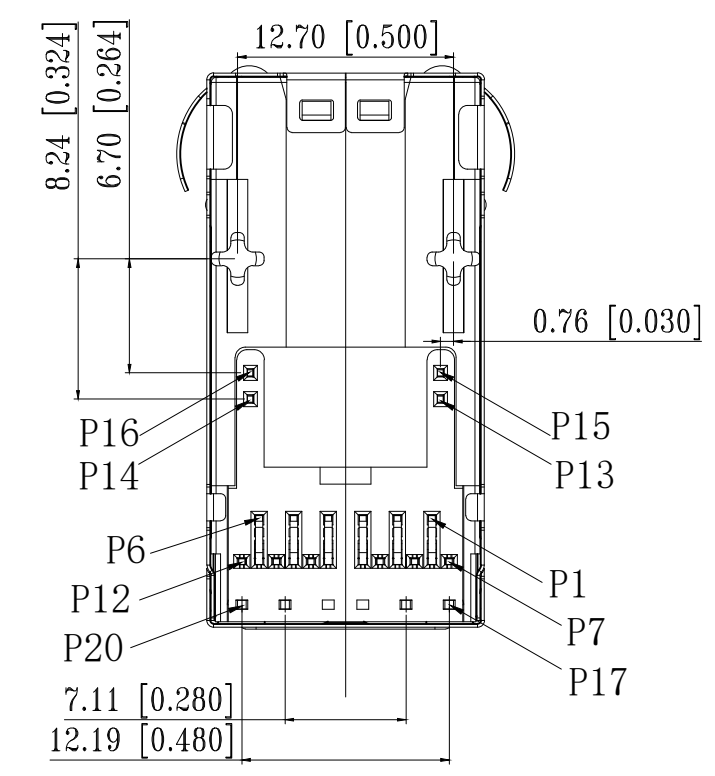
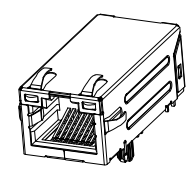
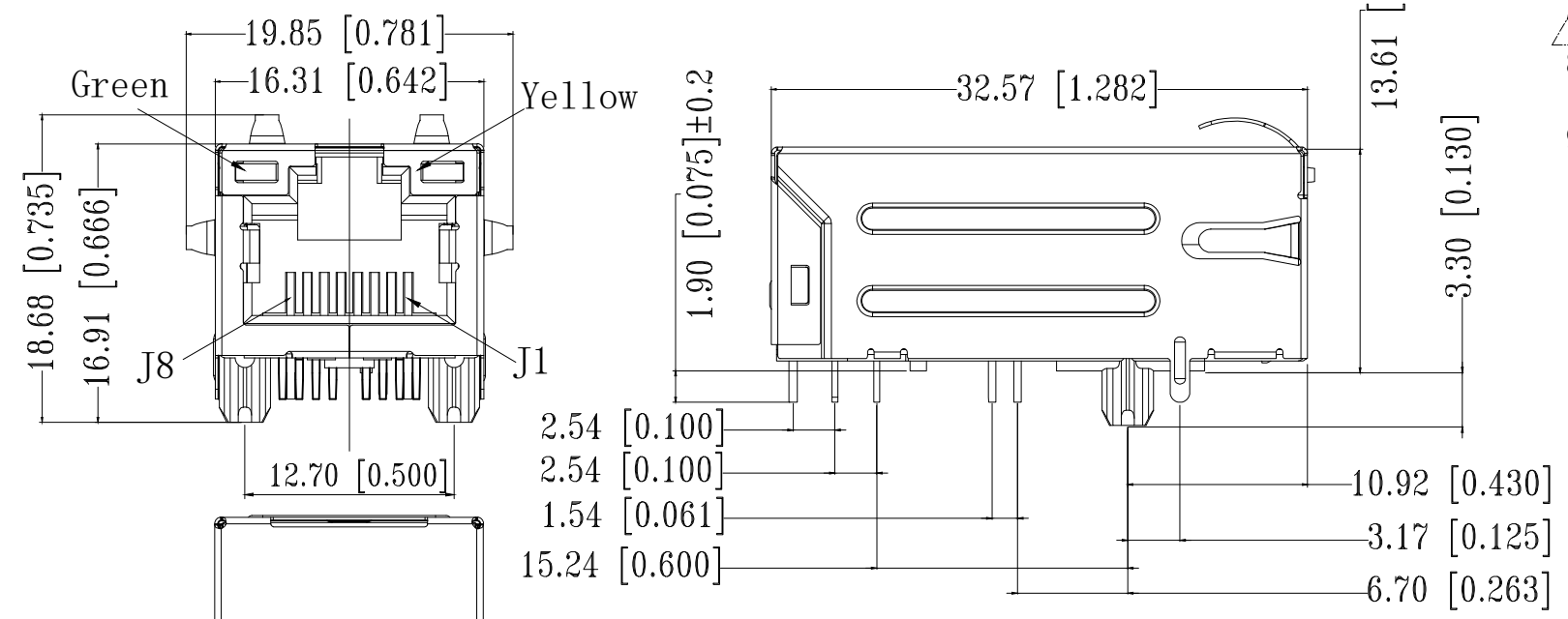


REVISIONS				
P	LTR	DESCRIPTION	DATE	APVD
	A	NEW RELEASE	26NOV2018	GCM/JDB



- 1 CONNECTOR MATERIAL:
 HOUSING: LCP BLACK UL94 V-0
 INSERT: LCP BLACK UL94 V-0
 SHIELD: BRASS
 SHIELD PLATING: NICKEL
 CONTACT: COPPER ALLOY
 CONTACT PLATING: SELECTIVE GOLD, MIN. 0.76µm (30µinch) IN CONTACT AREA
 OVER MIN. 1.27µm (50µinch) NICKEL
 SOLDER PIN PLATING: 3.05µm (120µinch) TIN OVER 1.27µm (50µinch) NICKEL
 OVER ALL
 SHIELDING PIN PLATING: NICKEL
- 2 PIN NOT ELECTRICALLY CONNECTED MAYBE OMITTED SEE ELECTRICAL CIRCUIT DIAGRAM FOR OMITTED PINS
- 3 RJ45 CAVITIES CONFORM TO FCC RULES AND REGULATION PART 68
- 4 THE PART IS RECOMMENDED FOR REFLOW SOLDERING PROCESS PEAK SOLDERING: TEMPERATURE MAX. +260° C, MAX. 10s
- 5 OPERATING TEMPERATURE: T= -40° C TO +85° C
- 6 STORAGE TEMPERATURE: T= -40° C TO +85° C
- 7 UNLESS OTHERWISE SPECIFIED, SEE TABLE FOR ALL DIMENSIONS TOLERANCES
- 8 JACK CONFIGURATION: 1 x 1
 TAB DIRECTION: UP
- 9 PACKAGING: TRAY ACCORDING TO PACKAGING SPECIFICATION 107-18116



1:1

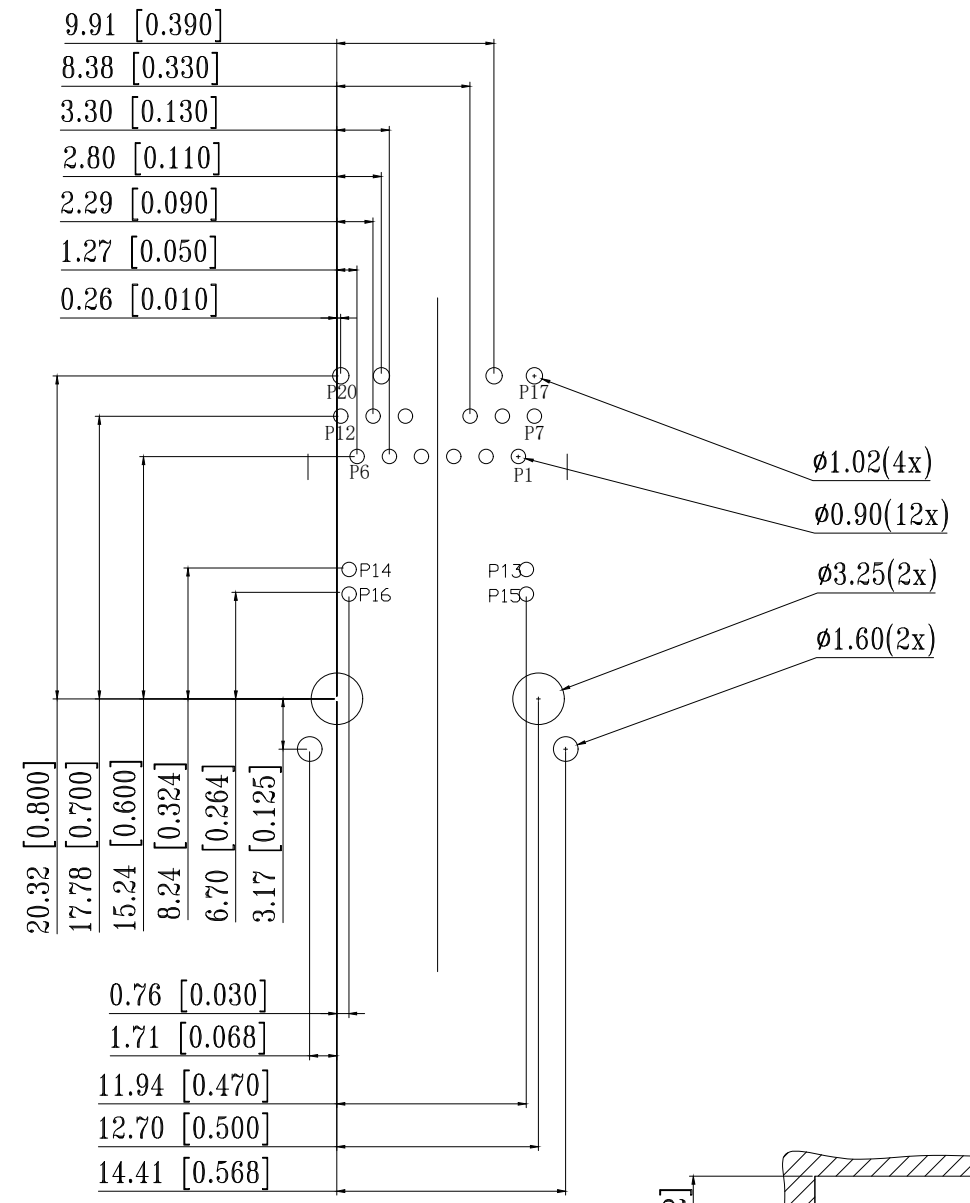
TABLE OF TOLERANCE (mm)	
RANGE	TOLERANCE
0-10	±0.15
>10-40	±0.25
>40-70	±0.30
>70	±0.40

THIS DRAWING IS A CONTROLLED DOCUMENT.		DWN GANESH C M 26NOV2018	STE TE Connectivity	
DIMENSIONS: mm [INCHES]		CHK O. WIBORG 26NOV2018		
TOLERANCES UNLESS OTHERWISE SPECIFIED: 0 PLC ± - 1 PLC ± - 2 PLC ± - 3 PLC ± - 4 PLC ± - ANGLES ± -		APVD J. DE BRUIJN 26NOV2018	NAME RJ45 JACK MAG. POE 1Gb LED 1x1 INV	
MATERIAL		PRODUCT SPEC 108-94694	RESTRICTED TO	
FINISH		APPLICATION SPEC 114-94556	SIZE A3	CAGE CODE 00779
		WEIGHT	DRAWING NO C-5-2337992-5	
		CUSTOMER DRAWING		SCALE 3:1
				SHEET 1 OF 3
				REV A

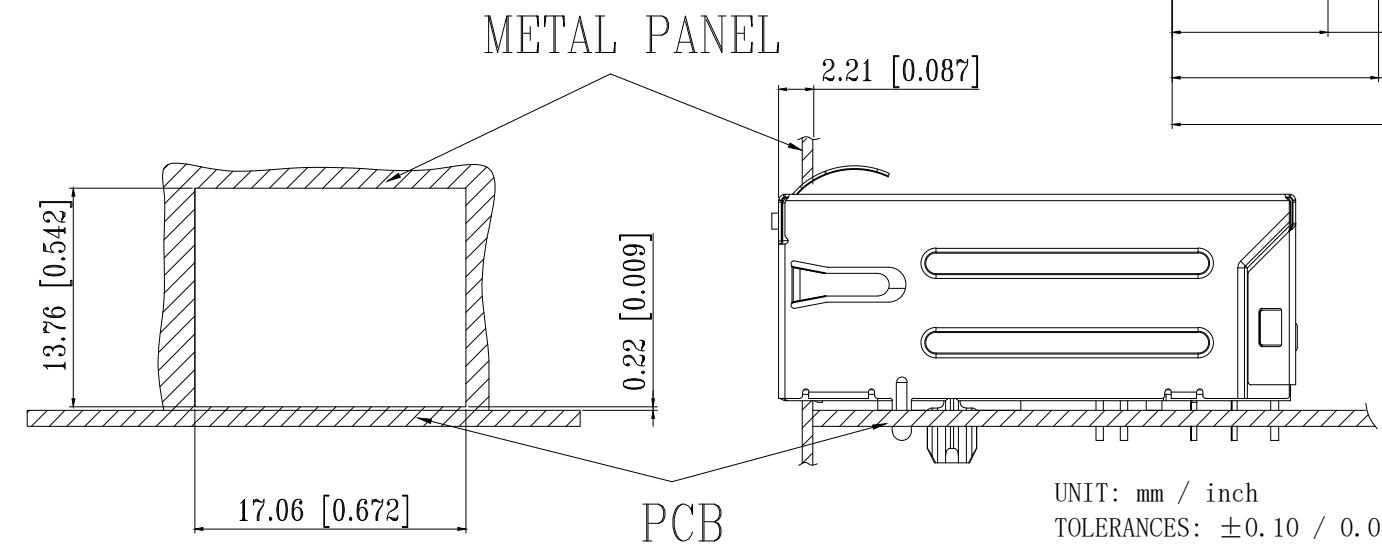
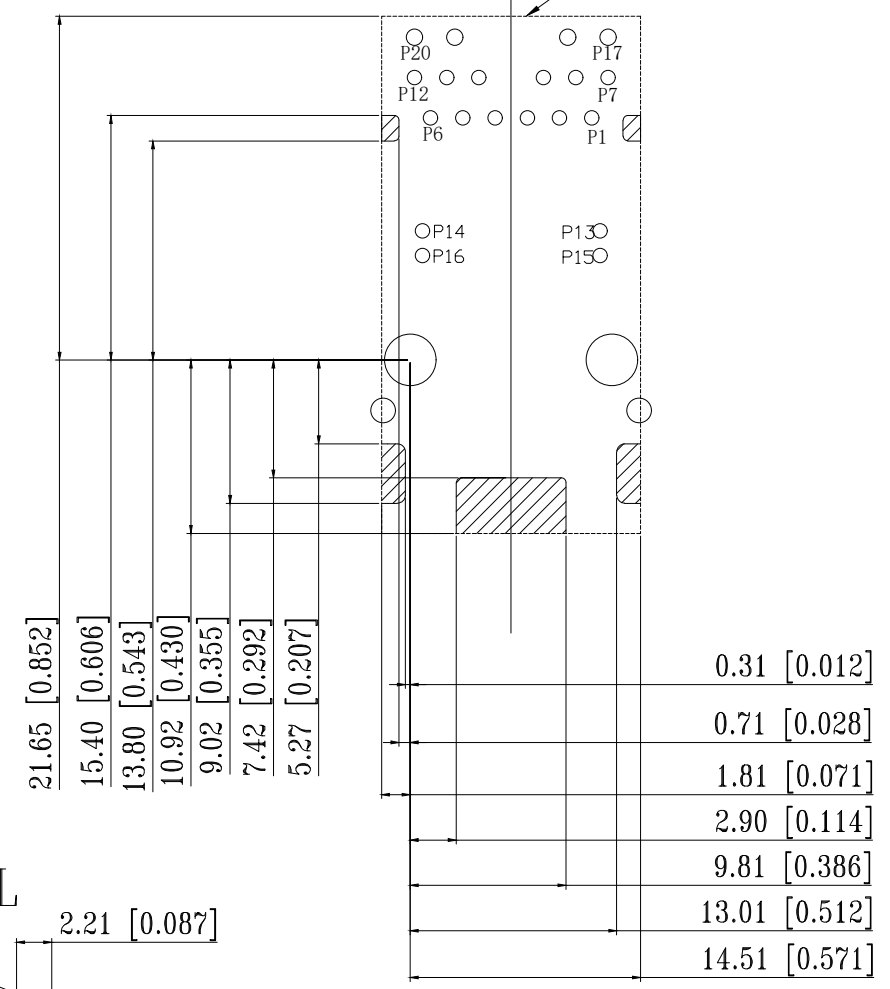
REVISIONS

P	LTR	DESCRIPTION	DATE	DWN	APVD
-	-	SEE SHEET 1	-	-	-


SUGGESTED PCB LAYOUT



Connector Boundary



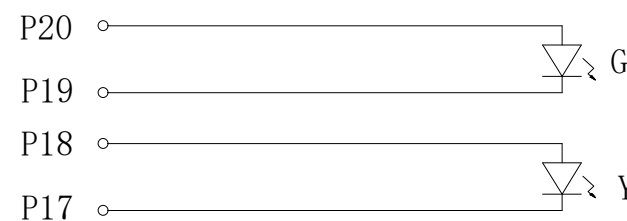
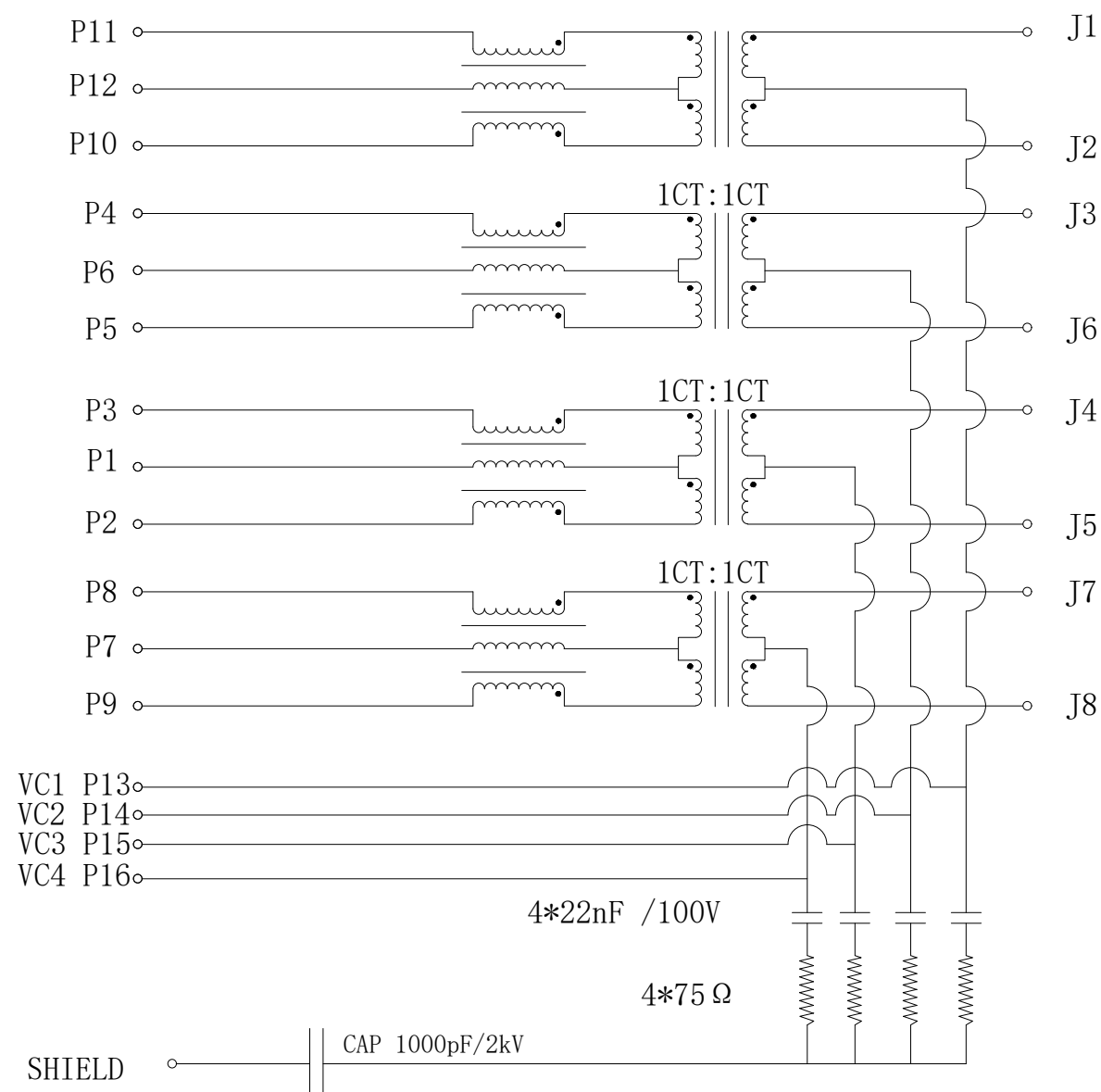
UNIT: mm / inch
TOLERANCES: ±0.10 / 0.004

THIS DRAWING IS A CONTROLLED DOCUMENT.		DWN GANESH C M 26NOV2018	 TE Connectivity		
DIMENSIONS: mm [INCHES]		CHK O. WIBORG 26NOV2018			
TOLERANCES UNLESS OTHERWISE SPECIFIED:		APVD J. DE BRUIJN 26NOV2018	NAME RJ45 JACK MAG. POE 1Gb LED 1x1 INV		
0 PLC ± - 1 PLC ± - 2 PLC ± - 3 PLC ± - 4 PLC ± - ANGLES ± -		PRODUCT SPEC 108-94694	RESTRICTED TO		
MATERIAL 1		FINISH 1	APPLICATION SPEC 114-94556	SIZE A3	CAGE CODE 00779
			WEIGHT	DRAWING NO C-5-2337992-5	RESTRICTED TO
CUSTOMER DRAWING			SCALE 3:1	SHEET 2 OF 3	REV A

REVISIONS

P	LTR	DESCRIPTION	DATE	DWN	APVD
-	-	SEE SHEET 1	-	-	-

ELECTRICAL CIRCUIT DIAGRAM



Pin	Yellow	Pin	Green
P17	-	P19	-
P18	+	P20	+

- 1.0 Turn Ratio @100kHz: (P11~P10):(J1~J2) = 1:1±2%
(P4~P5):(J3~J6) = 1:1±2%
(P3~P2):(J4~J5) = 1:1±2%
(P8~P9):(J7~J8) = 1:1±2%
- 2.0 Primary Inductance: 350µH MIN. @100kHz,0.1V 8mA DC BIAS
- 3.0 DC Resistance: 1.2 OHMS MAX.
- 4.0 Insertion Loss: 1-100MHz -1.0dB MAX.
100-125MHz -1.2dB MAX.
- 5.0 Return Loss: 1-40MHz -16dB MIN.
40-60MHz -12dB MIN.
60-80MHz -10dB MIN.
80-100MHz -8dB MIN.
- 6.0 CROSS TALK: 1-100MHz -27.1dB MIN.
- 7.0 COMMON TO COMMON MODE ATTENUATION: 1-100MHz -30dB MIN
- 8.0 Isolation: PHY Side to Line Side: 2250VDC
- 9.0 DC CURRENT/VOLTAGE RATING-PSE PINS: 720mA MAX. @57VDC (CONTINUOUS)



CONTROL CODE
DATE CODE
"0213"
YY-YEAR
WW-WEEK

FCC

THIS DRAWING IS A CONTROLLED DOCUMENT.		DWN GANESH C M 26NOV2018	TE Connectivity		
DIMENSIONS: mm [INCHES]		CHK O. WIBORG 26NOV2018			
TOLERANCES UNLESS OTHERWISE SPECIFIED:		APVD J. DE BRUIJN 26NOV2018	NAME RJ45 JACK MAG. POE 1Gb LED 1x1 INV		
0 PLC ± -		PRODUCT SPEC 108-94694	SIZE A3		
1 PLC ± -		APPLICATION SPEC 114-94556	CAGE CODE 00779	DRAWING NO C-5-2337992-5	RESTRICTED TO -
2 PLC ± -		WEIGHT	SCALE 3:1		
3 PLC ± -		MATERIAL 1	SHEET 3 OF 3		
4 PLC ± -			REV A		
ANGLES ± -		CUSTOMER DRAWING			

X-ON Electronics

Largest Supplier of Electrical and Electronic Components

Click to view similar products for [Modular Connectors / Ethernet Connectors](#) category:

Click to view products by [TE Connectivity](#) manufacturer:

Other Similar products are found below :

[RJE231881317T](#) [MP1010RX-1000](#) [MP44RX-1000](#) [GAX-3-66](#) [GAX-8-62](#) [93606-0253](#) [GD-A-44](#) [GDCX-PA-66-50](#) [GDCX-PN-64](#) [GDCX-PN-66](#) [GDCX-PN-66-50](#) [GDLX-A-66](#) [GDLX-A-88](#) [GDLX-N-66](#) [GDLX-S-88K](#) [GDTX-S-88-50](#) [GDX-PA-1010](#) [GLX-N-1010M-BLK](#) [GLX-N-44M](#) [GLX-S-88M-BLK](#) [GMX-N-1010](#) [GMX-S-1010](#) [GMX-S-66](#) [GMX-SMT2-N-1010](#) [GMX-SMT2-N-64-50](#) [GMX-SMT2-S6-88](#) [GMX-SMT4-N-88](#) [GPX-2-64](#) [GRT1-BT1-5](#) [GSGX-N-2-88](#) [GSX-NS2-88-3.05](#) [GSX-NS2-88-3.05-50](#) [GSX-NS-88-3.05-30](#) [GSX-NS-88-3.05-50](#) [GSX-NS-88-3.68](#) [1-1775629-2](#) [GWLX-S-88-GR](#) [GWLX-S9-88-YG](#) [1300500326](#) [1300500227](#) [1300530003](#) [1300570002](#) [1324640-4](#) [RJ11FTVC2G](#) [RJ11FTVC2N](#) [RJFTVX2SA1G](#) [132764-001](#) [1400000](#) [1413176](#) [1413235](#)