

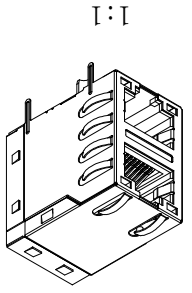
THIS DRAWING IS A CONTROLLED DOCUMENT.		DWN GANESH C M 28NOV2018		CHK O. WIBORG 28NOV2018		APVD J. DE BRUIJN 28NOV2018		NAME R445 JACK MAG. POE 10/100 LED 2x1		RESTRICTED TO	
DIMENSIONS: mm [INCHES]		TOLERANCES UNLESS OTHERWISE SPECIFIED:		FINISH		WEIGHT		MATERIAL		CUSTOMER DRAWING	
0 PLC ±		±		4 ANGLES		114-94556		A3		SCALE 3:1	
1 PLC ±		±		3 PLC ±		108-94694		00779		SHEET 1 OF 3	
2 PLC ±		±		2 PLC ±		APPLICATION SPEC		CAGE CODE		REV A	
3 PLC ±		±		1 PLC ±		PRODUCT SPEC		DRAWING NO		REV A	
4 PLC ±		±		0 PLC ±		APPLIC. SPEC		DRAWING NO		REV A	

RANGE	TOLERANCE
>70	±0.40
>40-70	±0.30
>10-40	±0.25
0-10	±0.15

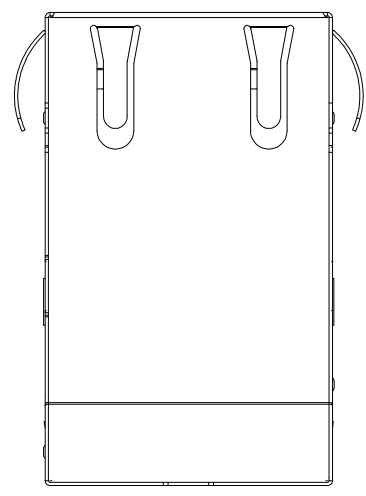
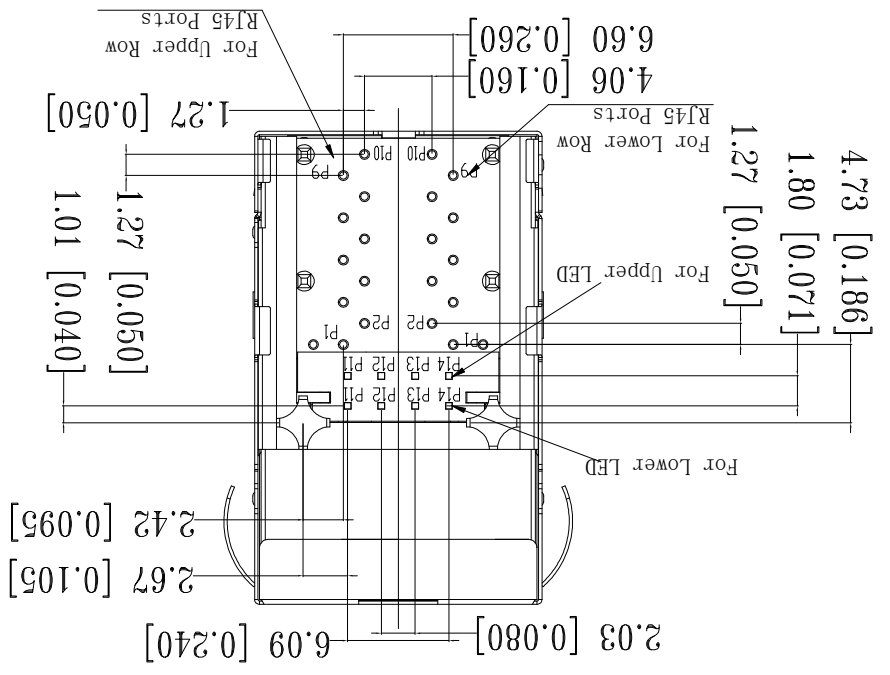
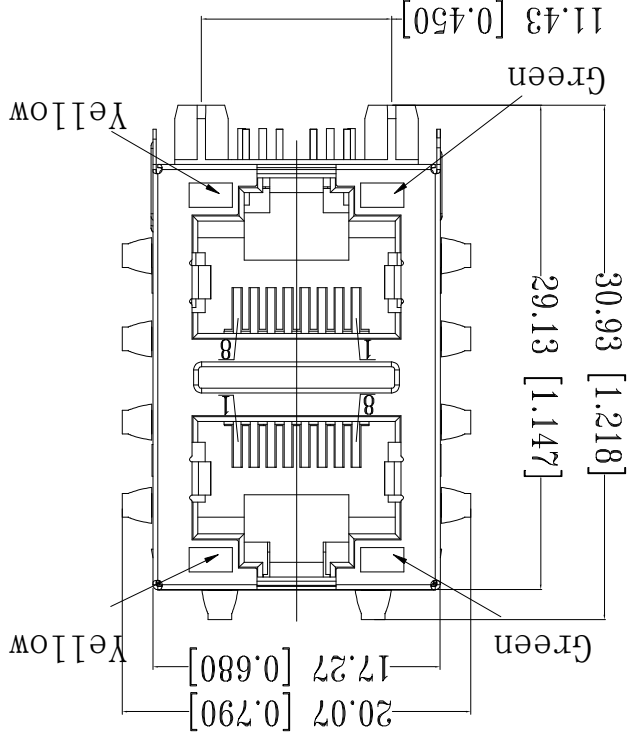
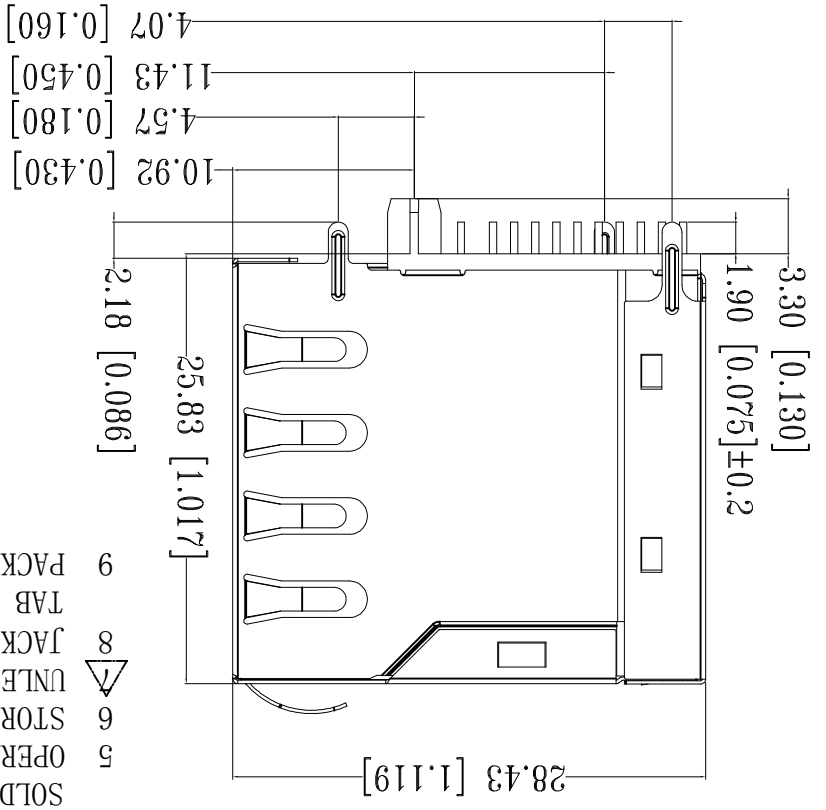
TABLE OF TOLERANCE (mm)



CONNECTOR MATERIAL: LCP BLACK UL94 V-0
 HOUSING: LCP BLACK UL94 V-0
 INSERT: LCP BLACK UL94 V-0
 SHIELD: BRASS
 SHIELD PLATING: NICKEL
 CONTACT: COPPER ALLOY
 CONTACT PLATING: SELECTIVE GOLD, MIN. 0.76µm (30µinch) IN CONTACT AREA
 OVER MIN. 1.27µm (50µinch) NICKEL
 SOLDER PIN PLATING: 3.05µm (120µinch) TIN OVER 1.02µm (50µinch) NICKEL
 OVER ALL
 SHIELDING PIN PLATING: NICKEL
 2 PIN NOT ELECTRICALLY CONNECTED MAYBE OMITTED SEE ELECTRICAL CIRCUIT DIAGRAM FOR OMITTED PINS
 3 RJ45 CAVITIES CONFORM TO FCC RULES AND REGULATION PART 68
 4 THE PART IS RECOMMENDED FOR REFLOW SOLDERING PROCESS PEAK
 5 SOLDERING: TEMPERATURE MAX. +260° C, MAX. 10s
 6 OPERATING TEMPERATURE: T = -40° C TO +85° C
 7 STORAGE TEMPERATURE: T = -40° C TO +85° C
 8 UNLESS OTHERWISE SPECIFIED, SEE TABLE FOR ALL DIMENSIONS TOLERANCES
 9 JACK CONFIGURATION: 2 x 1
 TAB DIRECTION: UP / DOWN
 PACKAGING: TRAY ACCORDING TO PACKAGING SPECIFICATION 107-18116



1:1

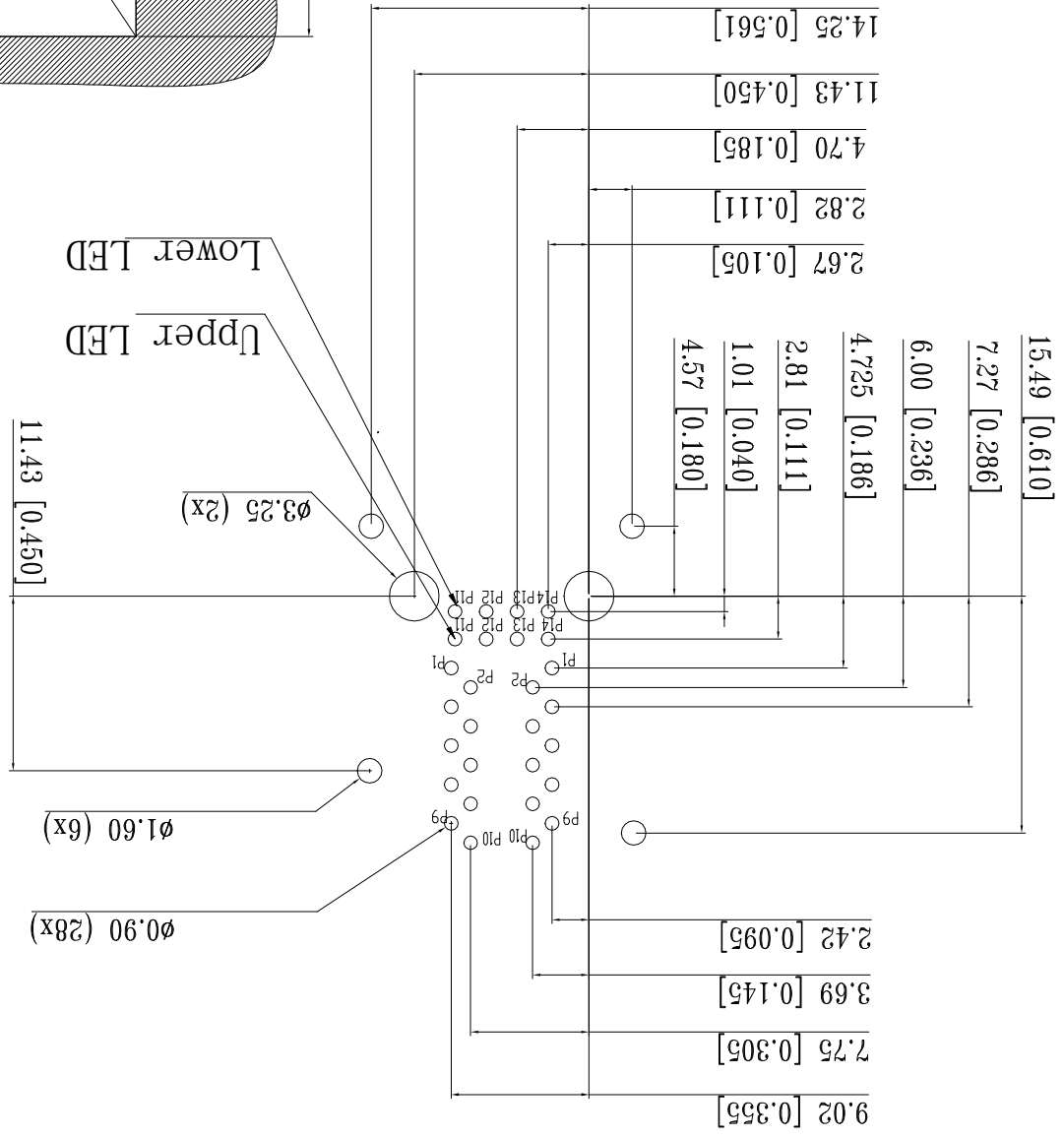
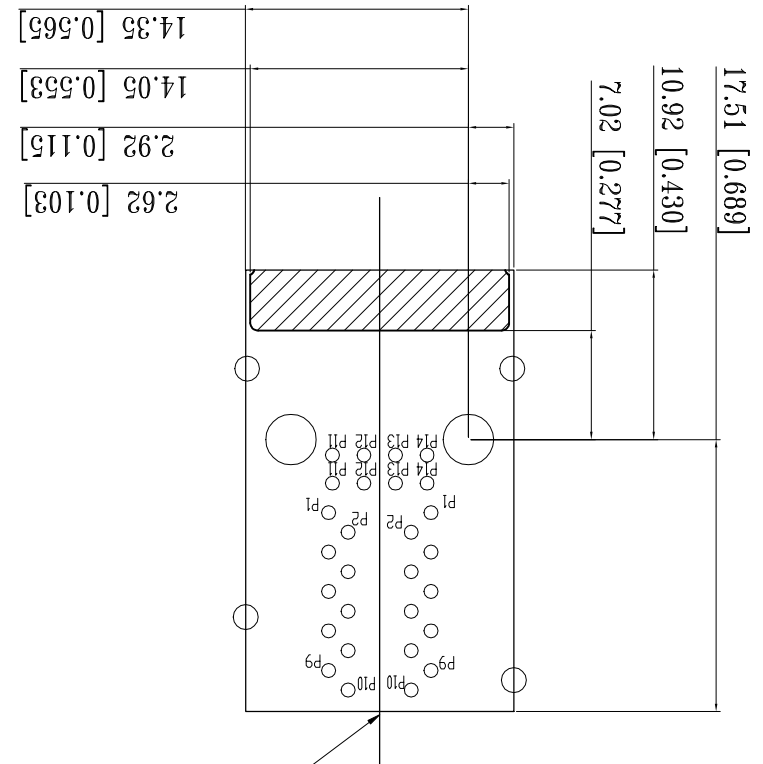
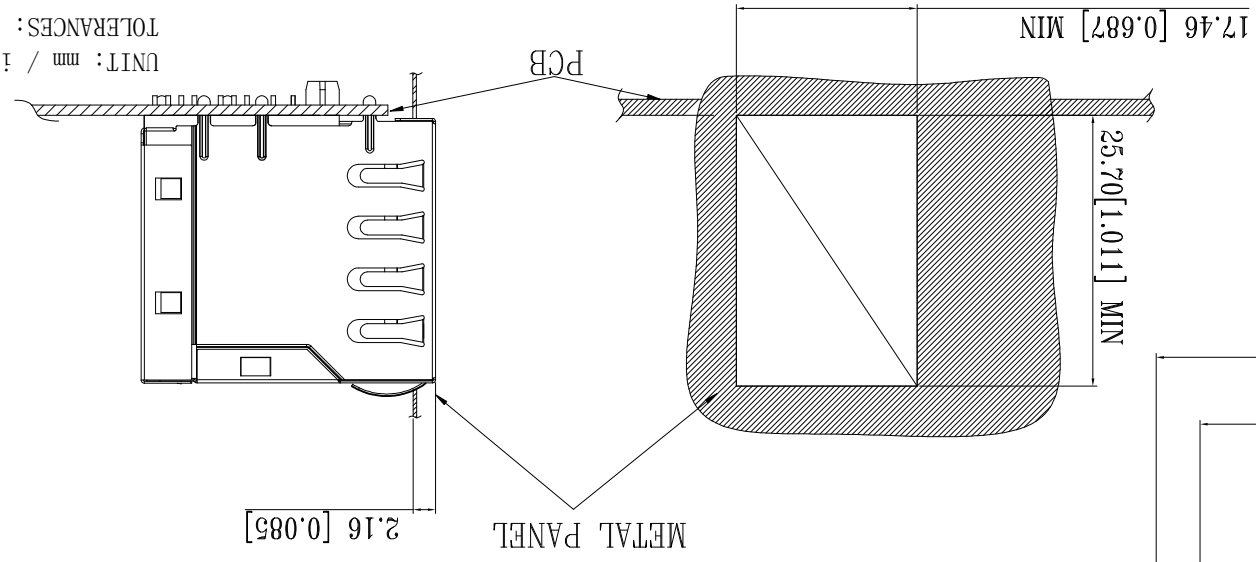


REVISIONS	P	LTR	DESCRIPTION	DATE	DWN	APVD
A			NEW RELEASE	28NOV2018	GCM	MSZ

CUSTOMER DRAWING		SCALE 3:1		SHEET 2 OF 3		REV A	
MATERIAL		FINISH		WEIGHT		SIZE	
0 PLC ± - 1 PLC ± - 2 PLC ± - 3 PLC ± - 4 PLC ± -		± - ± - ± - ± - ± -		114-94556		A3	
DIMENSIONS: mm [INCHES]		TOLERANCES UNLESS OTHERWISE SPECIFIED:		APPLICATION SPEC		CAGE CODE	
± -		± -		108-94694		00779	
DWN 28NOV2018		GANESH C M 28NOV2018		PRODUCT SPEC		DRAWING NO	
CHK 28NOV2018		O. WIBORG 28NOV2018		APVD J. DE BRUIJN 28NOV2018		NAME	
APVD		NAME		RJ45 JACK MAG. POE 10/100 LED 2x1		RESTRICTED TO	
TE Connectivity		TE Connectivity		APVD		DWN	

THIS DRAWING IS A CONTROLLED DOCUMENT.

UNIT: mm / inch
TOLERANCES: ±0.10 / 0.004



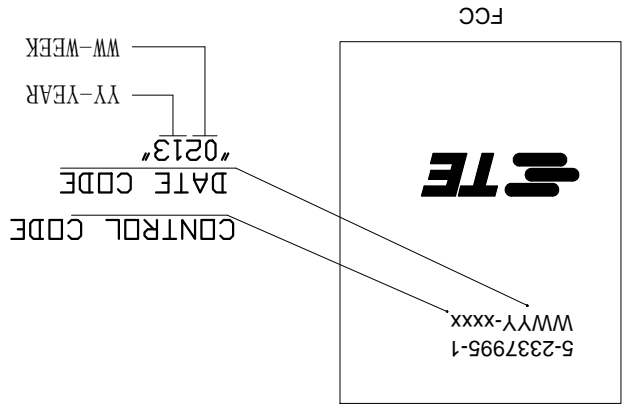
SUGGESTED PCB LAYOUT

Connector Boundary

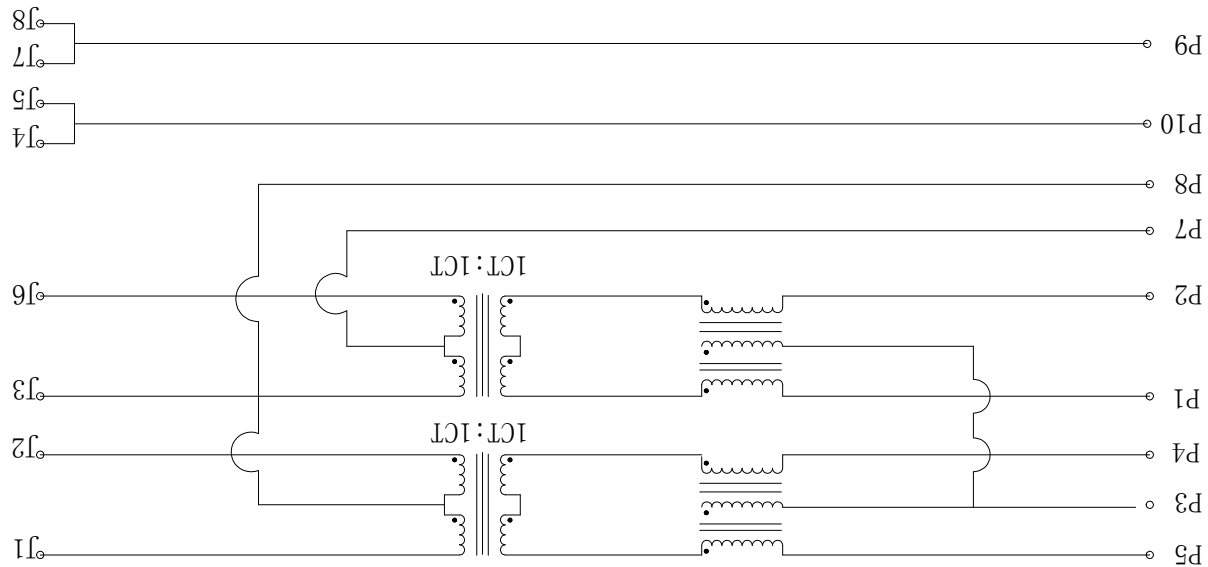
P	LTR	DESCRIPTION	DATE	DWN	APVD
-	-	SEE SHEET 1	-	-	-

CUSTOMER DRAWING		SCALE 3:1		SHEET 3 OF 3		REV A	
MATERIAL		FINISH		WEIGHT		CAGE CODE	
0 PLC ± -		4 PLC ± -		114-94556		A3 00779	
1 PLC ± -		3 PLC ± -		108-94694		DRAWING NO	
2 PLC ± -		2 PLC ± -		APPLIC. SPEC		5-2337995-1	
3 PLC ± -		1 PLC ± -		PRODUCT SPEC		RESTRICTED TO	
4 PLC ± -		± -		APVD J. DE BRUIJN		NAME	
DIMENSIONS: mm [INCHES]		TOLERANCES UNLESS OTHERWISE SPECIFIED:		28NOV2018		RJ45 JACK MAG. POE 10/100 LED 2x1	
DWN GANESH C M		CHK O. WIBORG		28NOV2018		TE Connectivity	
APVD		28NOV2018		28NOV2018		APVD	

THIS DRAWING IS A CONTROLLED DOCUMENT.



- 1.0 Turn Ratio @100kHz: (P5~P4):(J1~J2) = 1:1±2%
- 2.0 Primary Inductance: 350µH MIN. @100kHz, 0.1V 8mA DC BIAS
- 3.0 DC Resistance: 1.2 OHMS MAX.
- 4.0 Insertion Loss: 1-100MHz -1.2dB MAX.
- 5.0 Return Loss: 1-30MHz -16dB MIN.
- 6.0 CROSS TALK: 1-100MHz -27.1dB MIN.
- 7.0 COMMON TO COMMON MODE ATTENUATION: 1-100MHz -30dB MIN.
- 8.0 Isolation: PHY Side to Line Side: 2250VDC
- 9.0 DC CURRENT/VOLTAGE RATING-PSE PINS: 720mA @57V(CONTINUOUS)



ELECTRICAL CIRCUIT DIAGRAM

P14	P13	P12	P11	P10
△ G	△ Y			
Pin Yellow	P13	P12	P11	P10
	-	+	+	+
Green	P14	P13	P12	P11
	-	+	+	+

REVISIONS		DESCRIPTION		DATE		DWN		APVD	
SEE SHEET 1									
-		-		-		-		-	

X-ON Electronics

Largest Supplier of Electrical and Electronic Components

Click to view similar products for [Modular Connectors / Ethernet Connectors](#) category:

Click to view products by [TE Connectivity](#) manufacturer:

Other Similar products are found below :

[RJE231881317T](#) [MP1010RX-1000](#) [MP44RX-1000](#) [GAX-3-66](#) [GAX-8-62](#) [93606-0253](#) [GD-A-44](#) [GDCX-PA-66-50](#) [GDCX-PN-64](#) [GDCX-PN-66](#) [GDCX-PN-66-50](#) [GDLX-A-66](#) [GDLX-A-88](#) [GDLX-N-66](#) [GDLX-S-88K](#) [GDTX-S-88-50](#) [GDX-PA-1010](#) [GLX-N-1010M-BLK](#) [GLX-N-44M](#) [GLX-S-88M-BLK](#) [GMX-N-1010](#) [GMX-S-1010](#) [GMX-S-66](#) [GMX-SMT2-N-1010](#) [GMX-SMT2-N-64-50](#) [GMX-SMT2-S6-88](#) [GMX-SMT4-N-88](#) [GPX-2-64](#) [GRT1-BT1-5](#) [GSGX-N-2-88](#) [GSX-NS2-88-3.05](#) [GSX-NS2-88-3.05-50](#) [GSX-NS-88-3.05-30](#) [GSX-NS-88-3.05-50](#) [GSX-NS-88-3.68](#) [1-1775629-2](#) [GWLX-S-88-GR](#) [GWLX-S9-88-YG](#) [1300500326](#) [1300500227](#) [1300530003](#) [1300570002](#) [1324640-4](#) [RJ11FTVC2G](#) [RJ11FTVC2N](#) [RJFTVX2SA1G](#) [132764-001](#) [1400000](#) [1413176](#) [1413235](#)