

4

3

2

1

THIS DRAWING IS UNPUBLISHED. RELEASED FOR PUBLICATION 20
 © COPYRIGHT 20 BY - ALL RIGHTS RESERVED.

REVISIONS					
P	LTR	DESCRIPTION	DATE	DWN	APVD
A		A REVISION RELEASE	07JUNE2022	SY	HL
B		ADD NEW PN	10NOV2022	MC	HL
C		UPDATE HARD TRAY IN SHEETS, NEW ADD PN	24NOV2022	MC	HL
D		CORRECT TYPO IN 6-2364427-9	5DEC2022	MC	HL

Top view of the PCI Express card edge connector. Dimensions include overall width D, width B ± 0.23, and various reference dimensions A REF, 11.65 REF, and 14.50 REF. Pin locations are labeled PIN B "N+12", PIN A "N+12", PIN B1, and PIN A1. A key feature is indicated with a KEY symbol and a triangle 4. A vertical dimension of 4.02 REF 2X is shown on the left side.

NOTES:

1 MATERIAL:
 HOUSING: HIGH-TEMP PLASTIC, BLACK, UL 94V-0
 CONTACT: COPPER ALLOY
 HOLD DOWN: COPPER ALLOY

2 FINISH:
 (SEE TABLE) 0.1 INCH GOLD PLATING OR GOLD FLASH OVER PdNi ON CONTACT AREA.
 2.54um MATTE-TIN PLATING ON SOLDER TAIL AREA.
 1.27um NICKEL UNDERPLATING OVERALL.

3 PCIE5, PART NUMBER AND DC PRINTED IN APPROPRIATE AREA OR OPPOSITE

4 SUCH CORE VOIDS PER MANUFACTURER'S CONVENIENCE

Bottom view of the connector showing the STE logo and various dimensions. Dimensions include 0.15, KEY symbol, X, Ø 1.0 REF, N, 1.35 REF, C, Ø 1.08 REF, POST symbol, 1.65 REF, 1.00, and 10.00. A triangle 3 is also indicated.

Side view of the connector showing dimensions 7.5 MAX, 11.25 MAX, and 1.00. A note indicates "ALL SOLDER TAILS AND HOLD DOWN" with a triangle 1 symbol.

SECTION X-X view showing detailed dimensions: 5.10 ± 0.15, 3.75 MAX, Ø OF 7.5, ACCEPTED 1.57 PCB, 0.80 ± 0.15, 4.40 ± 0.20, 4.05 ± 0.15, 3.40 ± 0.15, 8.20 ± 0.20, and 0.10.

THIS DRAWING IS A CONTROLLED DOCUMENT.		DWN SANDERS YAN 22OCT2019	TE Connectivity	
DIMENSIONS: mm		CHK MIKE CHEN 22OCT2019		
TOLERANCES UNLESS OTHERWISE SPECIFIED:		APVD HOPE LU 22OCT2019	NAME PCI EXPRESS CARD EDGE CONNECTOR GEN5, STD	
0 PLC ±	1 PLC ±0.3	PRODUCT SPEC 108-160247	SIZE CAGE CODE DRAWING NO RESTRICTED TO	
2 PLC ±0.20	3 PLC ±0.050	APPLICATION SPEC -	A200779 C-2364427	
4 PLC ±	ANGLES ±	WEIGHT -	SCALE 6:1 SHEET 1 OF 7 REV D	
FINISH		CUSTOMER DRAWING		

1471-9 (3/13)

THIS DRAWING IS UNPUBLISHED. RELEASED FOR PUBLICATION 20
 © COPYRIGHT 20 BY - ALL RIGHTS RESERVED.

REVISIONS				
P	LTR	DESCRIPTION	DATE	APVD
-	-	SEE SHEET 1	-	-

TYPE	L * W * H (TRAY)	PRECIOUS PLATING THICKNESS (TOTAL)	W	V	J	D	N	C	B	A	POS.	PART NUMBER
TAPE & REEL	88 X 13.92 X 24(W*D*P)	30u"	53.5	8.5	28	58	37	40.15	56	38.65	98	7-2364427-9
SOFT TRAY	328 X 135 X 23.2	30u"	86.5	8	44.5	91	70	73.15	89	71.65	164	7-2364427-8
TAPE & REEL	88 X 13.92 X 24(W*D*P)	30u"	53.5	8	28	58	37	40.15	56	38.65	98	7-2364427-7
HARD TRAY	300 X 200 X 19.3	30u"	10.0	8	44.5	91	70	73.15	89	71.65	164	8-2364427-4
HARD TRAY	323 X 136 X 19	30u"	WITHOUT MYLAR		44.5	91	70	73.15	89	71.65	164	6-2364427-9
HARD TRAY	323 X 136 X 19	30u"	86.5	8.5	44.5	91	70	73.15	89	71.65	164	6-2364427-8
HARD TRAY	323 X 136 X 19	30u"	53	8.5	28	58	37	40.15	56	38.65	98	6-2364427-7
TAPE & REEL	56 X 14.15 X 24(W*D*P)	30u"	30	8.5	19.5	41	20	23.15	39	21.65	64	6-2364427-6
TAPE & REEL	44 X 14.15 X 24(W*D*P)	30u"	22	8.5	12.5	27	6	9.15	25	7.65	36	6-2364427-5
HARD TRAY	330 X 235 X 19.3	30u"	45.0	8	44.5	91	70	73.15	89	71.65	164	7-2364427-4
HARD TRAY	330 X 235 X 19.3	30u"	86.5	8	44.5	91	70	73.15	89	71.65	164	5-2364427-8
HARD TRAY	330 X 235 X 19.3	30u"	53.5	8	28	58	37	40.15	56	38.65	98	5-2364427-7
SOFT TRAY	338 X 235 X 20.3	30u"	36.5	8	19.5	41	20	23.15	39	21.65	64	5-2364427-6
SOFT TRAY	TBD	30u"	22.5	8	12.5	27	6	9.15	25	7.65	36	5-2364427-5
HARD TRAY	330 X 235 X 19.3	30u"	10.0	8	44.5	91	70	73.15	89	71.65	164	5-2364427-4
HARD TRAY	330 X 235 X 19.3	30u"	10.0	8	28	58	37	40.15	56	38.65	98	5-2364427-3
SOFT TRAY	338 X 235 X 20.3	30u"	10.0	8	19.5	41	20	23.15	39	21.65	64	5-2364427-2
SOFT TRAY	TBD	30u"	10.0	8	12.5	27	6	9.15	25	7.65	36	5-2364427-1
HARD TRAY	330 X 235 X 19.3	15u"	86.5	8	44.5	91	70	73.15	89	71.65	164	4-2364427-8
HARD TRAY	330 X 235 X 19.3	15u"	53.5	8	28	58	37	40.15	56	38.65	98	4-2364427-7
SOFT TRAY	338 X 235 X 20.3	15u"	36.5	8	19.5	41	20	23.15	39	21.65	64	4-2364427-6
SOFT TRAY	TBD	15u"	22.5	8	12.5	27	6	9.15	25	7.65	36	4-2364427-5
HARD TRAY	330 X 235 X 19.3	15u"	10.0	8	44.5	91	70	73.15	89	71.65	164	4-2364427-4
HARD TRAY	330 X 235 X 19.3	15u"	10.0	8	28	58	37	40.15	56	38.65	98	4-2364427-3
SOFT TRAY	338 X 235 X 20.3	15u"	10.0	8	19.5	41	20	23.15	39	21.65	64	4-2364427-2
SOFT TRAY	TBD	15u"	10.0	8	12.5	27	6	9.15	25	7.65	36	4-2364427-1
HARD TRAY	330 X 235 X 19.3	G/F	86.5	8	44.5	91	70	73.15	89	71.65	164	3-2364427-8
HARD TRAY	330 X 235 X 19.3	G/F	53.5	8	28	58	37	40.15	56	38.65	98	3-2364427-7
SOFT TRAY	338 X 235 X 20.3	G/F	36.5	8	19.5	41	20	23.15	39	21.65	64	3-2364427-6
SOFT TRAY	TBD	G/F	22.5	8	12.5	27	6	9.15	25	7.65	36	3-2364427-5
HARD TRAY	330 X 235 X 19.3	G/F	10.0	8	44.5	91	70	73.15	89	71.65	164	3-2364427-4
HARD TRAY	330 X 235 X 19.3	G/F	10.0	8	28	58	37	40.15	56	38.65	98	3-2364427-3
SOFT TRAY	338 X 235 X 20.3	G/F	10.0	8	19.5	41	20	23.15	39	21.65	64	3-2364427-2
SOFT TRAY	TBD	G/F	10.0	8	12.5	27	6	9.15	25	7.65	36	3-2364427-1
HARD TRAY	330 X 235 X 19.3	30u"	NA		44.5	91	70	73.15	89	71.65	164	2-2364427-4
HARD TRAY	330 X 235 X 19.3	30u"	NA		28	58	37	40.15	56	38.65	98	2-2364427-3
SOFT TRAY	338 X 235 X 20.3	30u"	NA		19.5	41	20	23.15	39	21.65	64	2-2364427-2
SOFT TRAY	TBD	30u"	NA		12.5	27	6	9.15	25	7.65	36	2-2364427-1
HARD TRAY	330 X 235 X 19.3	15u"	NA		44.5	91	70	73.15	89	71.65	164	1-2364427-4
HARD TRAY	330 X 235 X 19.3	15u"	NA		28	58	37	40.15	56	38.65	98	1-2364427-3
SOFT TRAY	338 X 235 X 20.3	15u"	NA		19.5	41	20	23.15	39	21.65	64	1-2364427-2
SOFT TRAY	TBD	15u"	NA		12.5	27	6	9.15	25	7.65	36	1-2364427-1
HARD TRAY	330 X 235 X 19.3	G/F	NA		44.5	91	70	73.15	89	71.65	164	2364427-4
HARD TRAY	330 X 235 X 19.3	G/F	NA		28	58	37	40.15	56	38.65	98	2364427-3
SOFT TRAY	338 X 235 X 20.3	G/F	NA		19.5	41	20	23.15	39	21.65	64	2364427-2
SOFT TRAY	TBD	G/F	NA		12.5	27	6	9.15	25	7.65	36	2364427-1

D

THIS DRAWING IS A CONTROLLED DOCUMENT.

DWN SANDERS YAN 22OCT2019
 CHK MIKE CHEN 22OCT2019
 APVD HOPE LU 22OCT2019

STE TE Connectivity

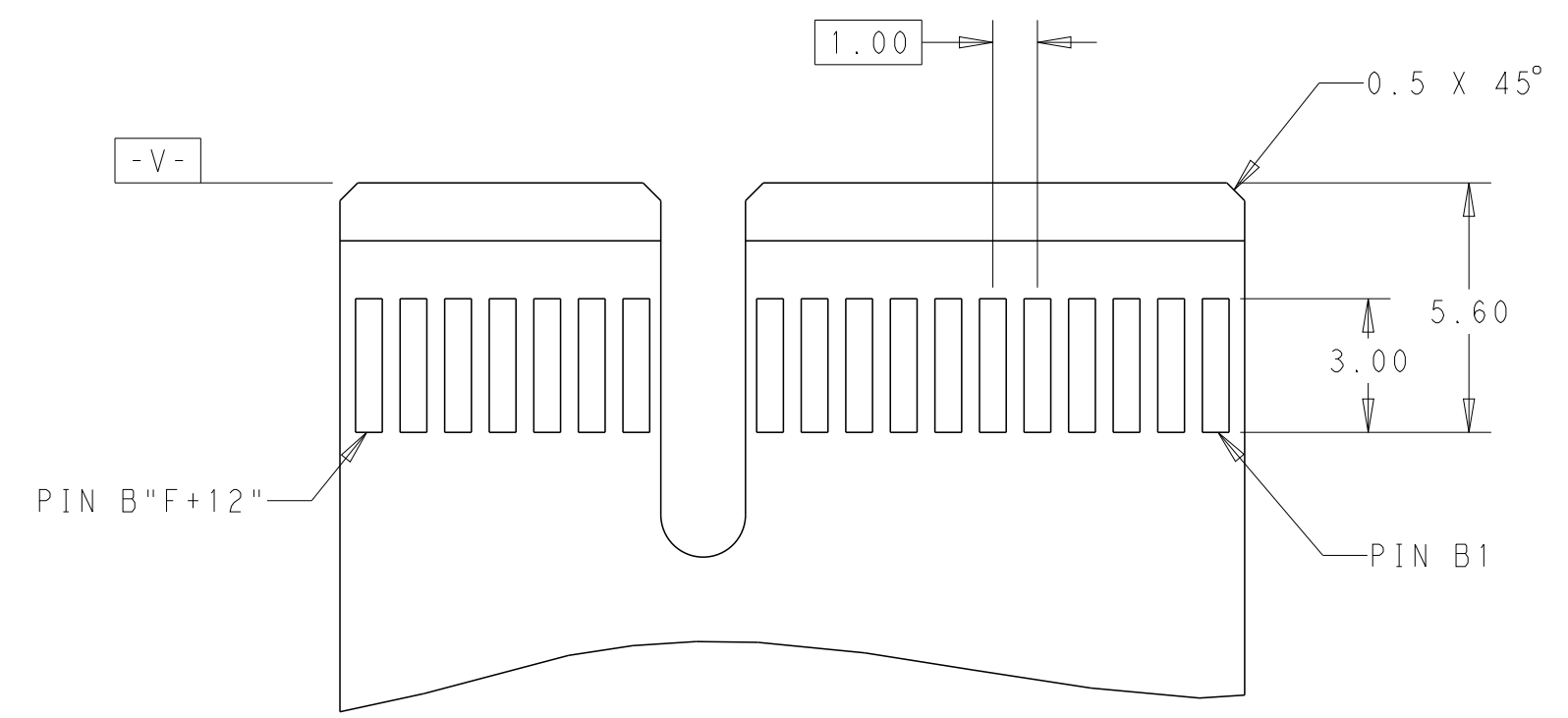
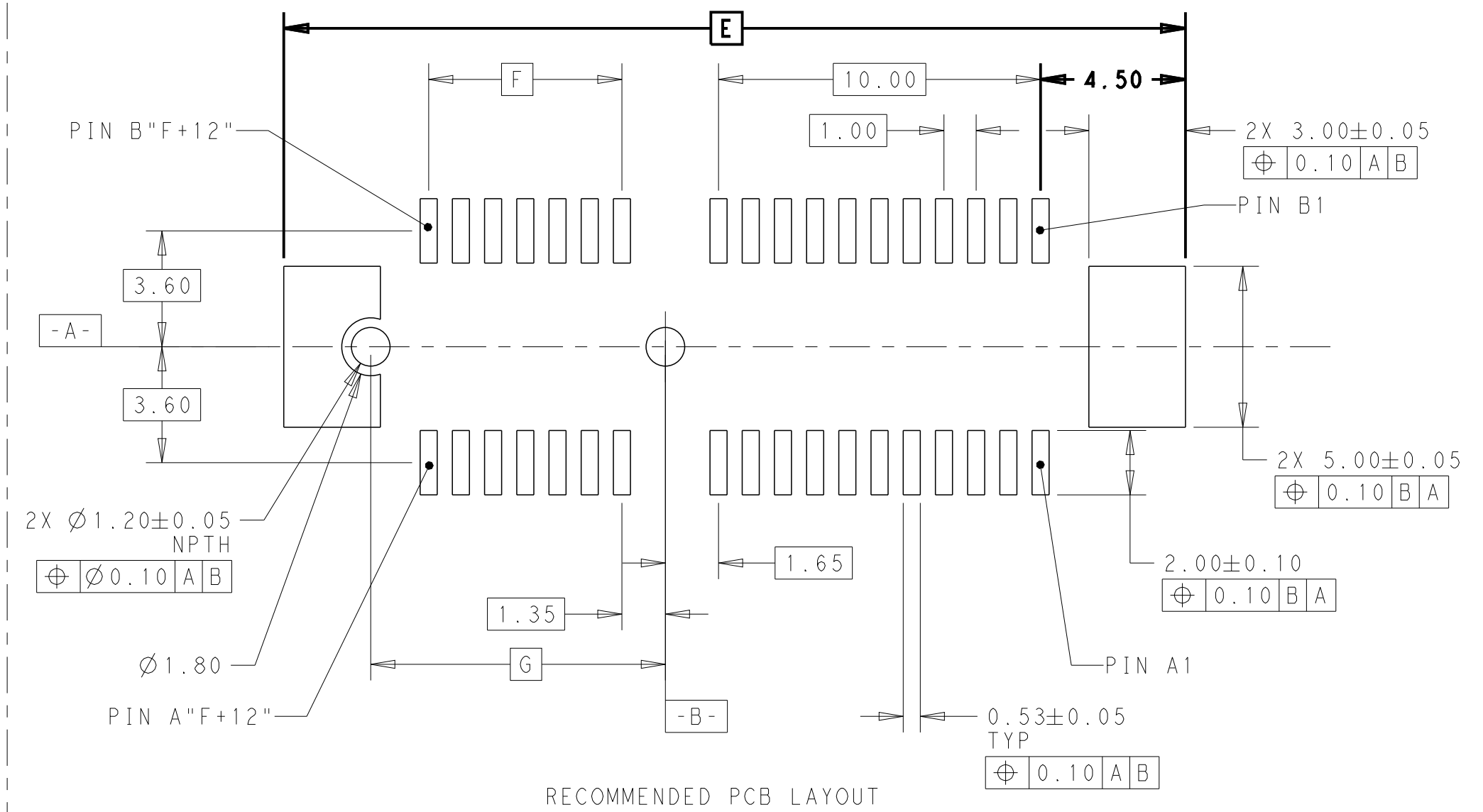
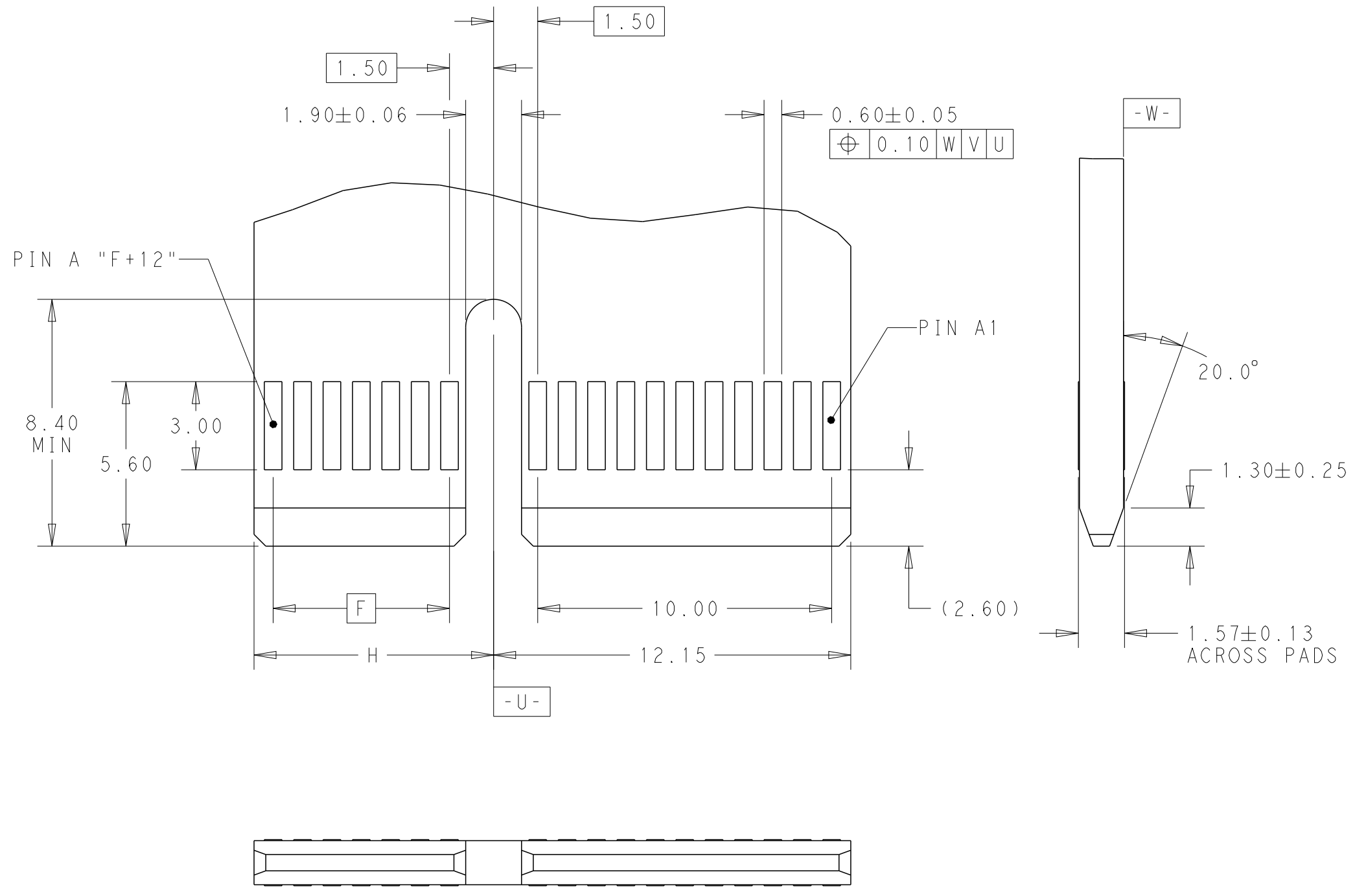
NAME PCI EXPRESS CARD EDGE CONNECTOR GEN5, STD
 PRODUCT SPEC 108-160247
 APPLICATION SPEC -

SIZE A2 CAGE CODE 00779 DRAWING NO C-2364427 RESTRICTED TO -
 WEIGHT -
 CUSTOMER DRAWING SCALE 1:1 SHEET 2 OF 7 REV D

DIMENSIONS: mm
 TOLERANCES UNLESS OTHERWISE SPECIFIED:
 0 PLC ±0.3
 1 PLC ±0.20
 2 PLC ±0.20
 3 PLC ±0.050
 4 PLC ±
 ANGLES ±
 FINISH -

THIS DRAWING IS UNPUBLISHED. RELEASED FOR PUBLICATION 20
 © COPYRIGHT 20 BY - ALL RIGHTS RESERVED.

REVISIONS				
P	LTR	DESCRIPTION	DATE	APVD
-	-	SEE SHEET 1	-	-



ADD-IN CARD EDGE-FINGER DIMENSION
 DEFAULT TOLERANCE ±0.13

164	92.00	70	73.15	72.15
98	59.00	37	40.15	39.15
64	42.00	20	23.15	22.15
36	28.00	6	9.15	8.15
POS.	DIM. E	DIM. F	DIM. G	DIM. H

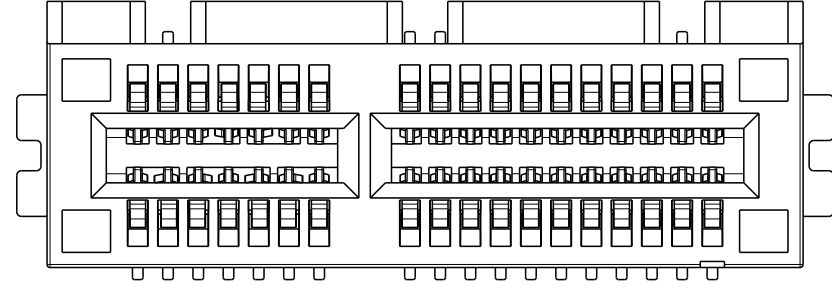
THIS DRAWING IS A CONTROLLED DOCUMENT.

DIMENSIONS: mm	TOLERANCES UNLESS OTHERWISE SPECIFIED: 0 PLC ± 1 PLC ±0.3 2 PLC ±0.20 3 PLC ±0.050 4 PLC ± ANGLES ± FINISH	DWN SANDERS, YAN 22OCT2019 CHK MIKE, CHEN 22OCT2019 APVD HOPE, LU 22OCT2019 PRODUCT SPEC 108-160247 APPLICATION SPEC - WEIGHT -	NAME PCI EXPRESS CARD EDGE CONNECTOR GEN5, STD SIZE A2 CAGE CODE 00779 DRAWING NO. C-2364427 RESTRICTED TO -
MATERIAL -	FINISH -	CUSTOMER DRAWING	SCALE 6:1 SHEET 3 OF 7 REV D

THIS DRAWING IS UNPUBLISHED. RELEASED FOR PUBLICATION 20
 © COPYRIGHT 20 BY - ALL RIGHTS RESERVED.

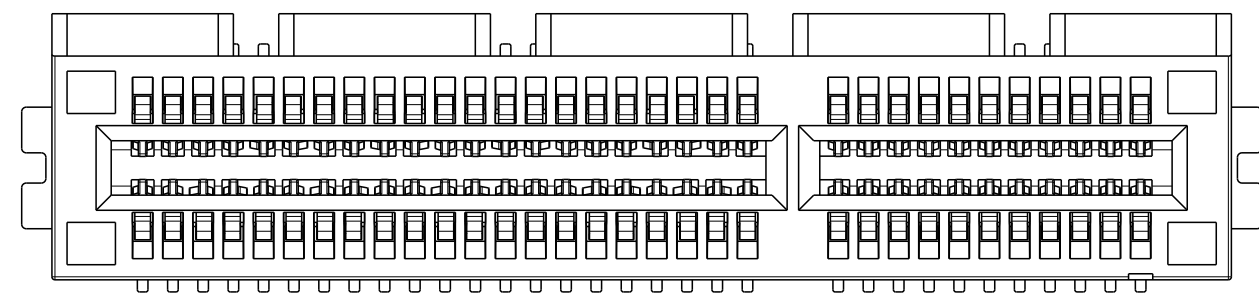
REVISIONS				
P	LTR	DESCRIPTION	DATE	APVD
-	-	SEE SHEET 1	-	-

FRONT VIEW



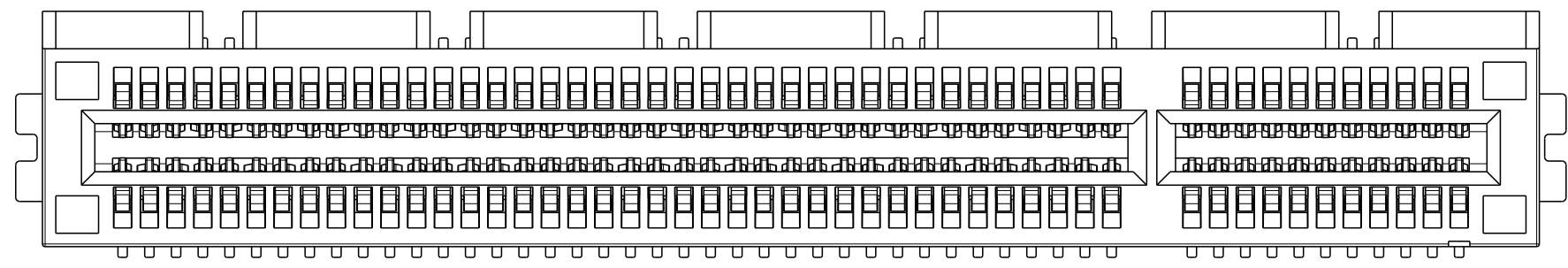
36POS AS SHOWN
SCALE: 4:1

FRONT VIEW

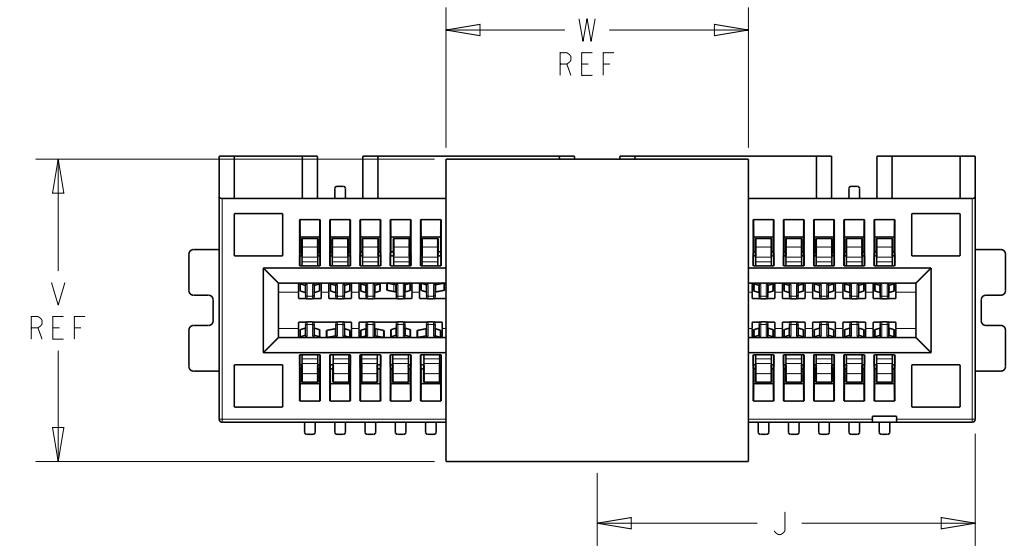


64POS AS SHOWN
SCALE: 4:1

FRONT VIEW

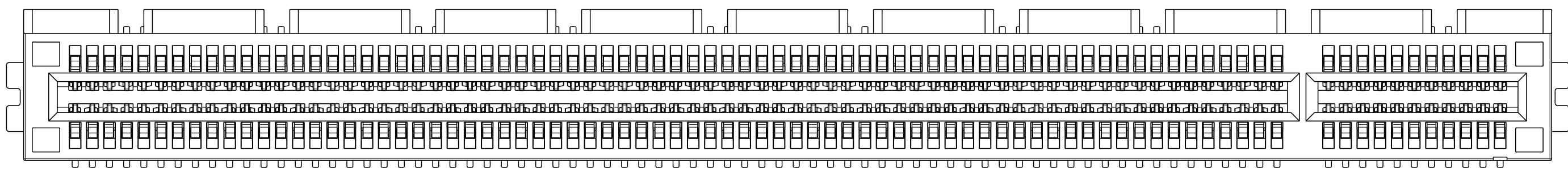


98POS AS SHOWN
SCALE: 4:1




MYLAR SIZE
SCALE: 4:1

FRONT VIEW

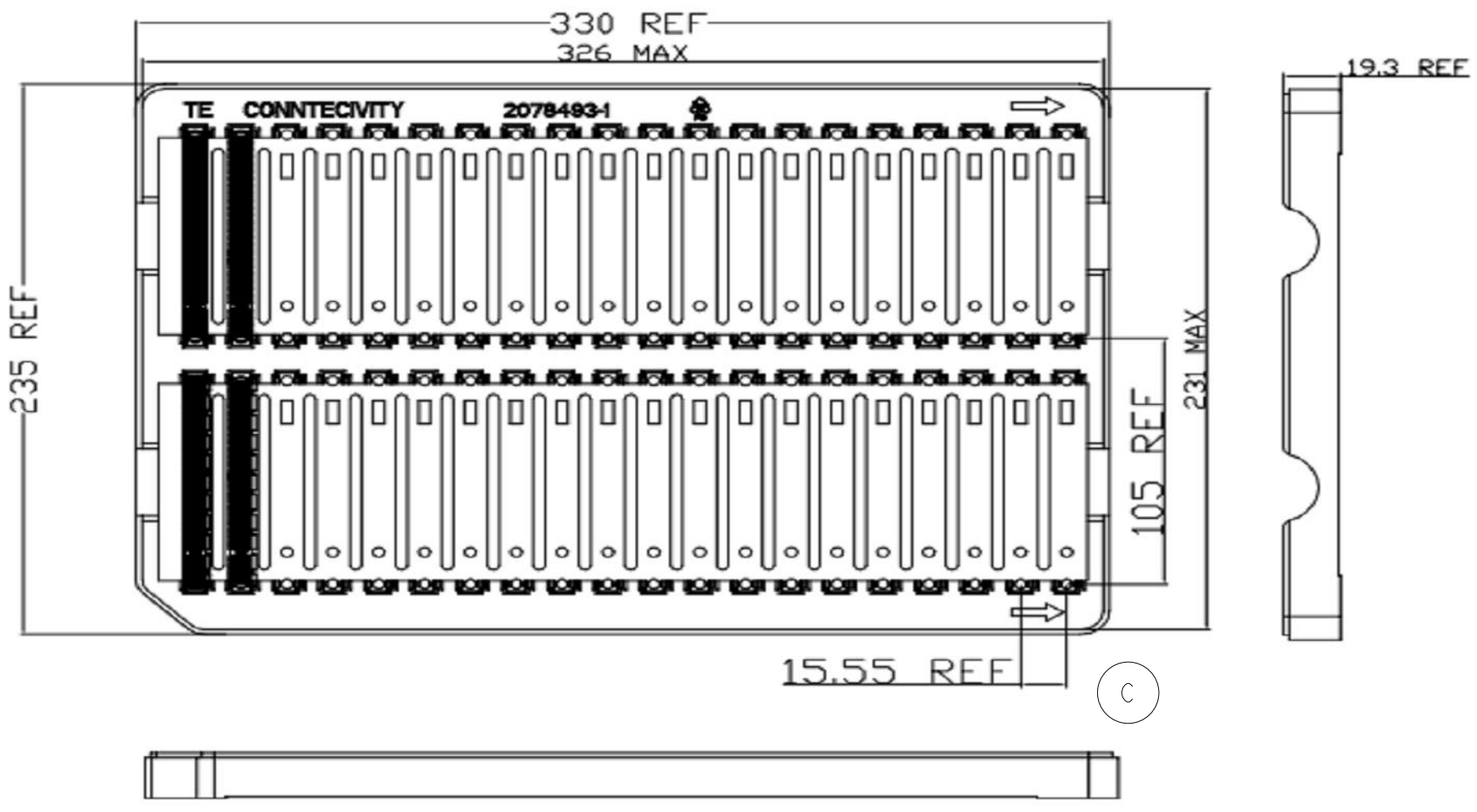


164POS AS SHOWN
SCALE: 4:1

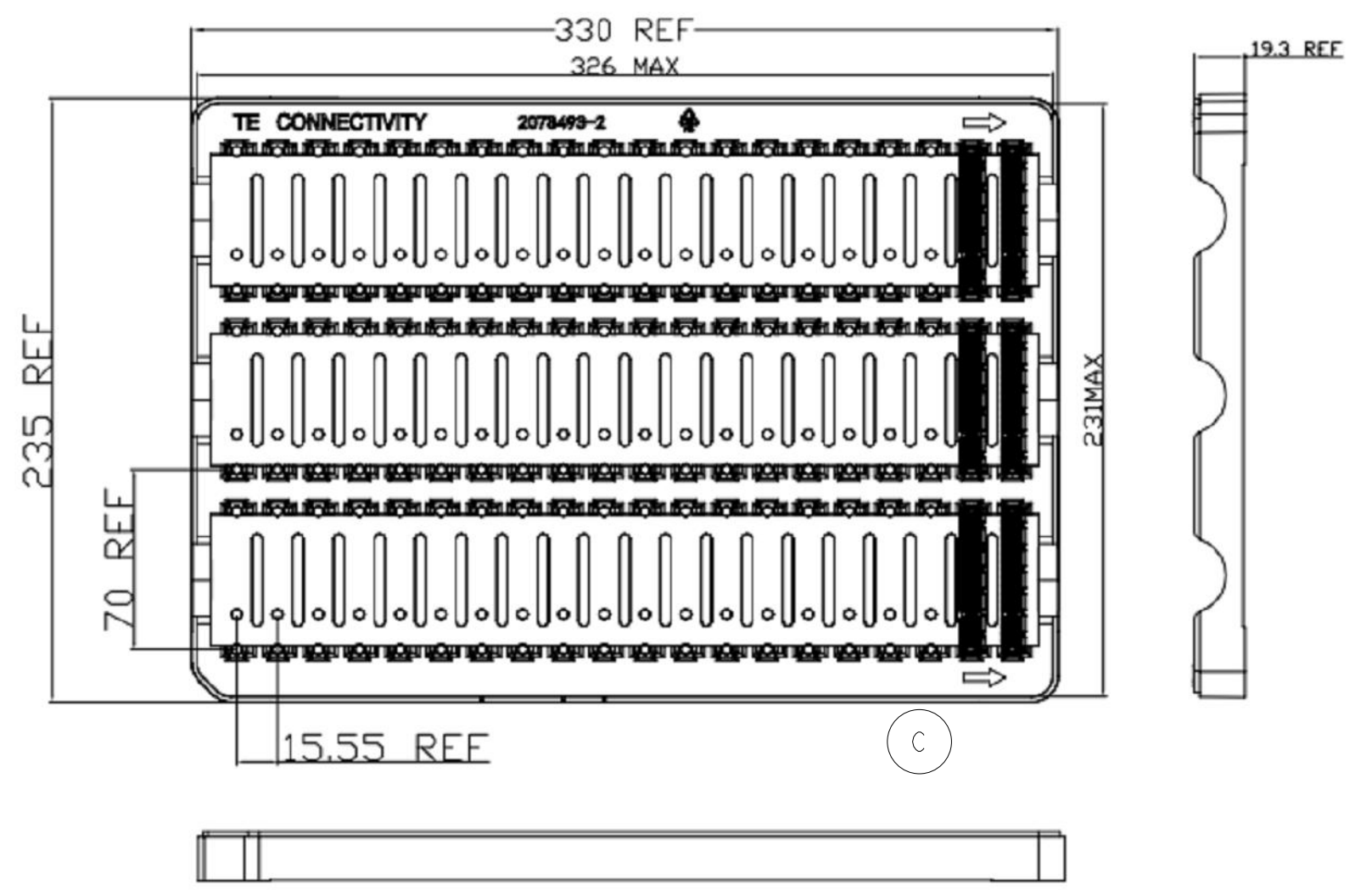
THIS DRAWING IS A CONTROLLED DOCUMENT.		DWN SANDERS, YAN 22OCT2019	 TE Connectivity	
DIMENSIONS: mm		CHK MIKE, CHEN 22OCT2019		
TOLERANCES UNLESS OTHERWISE SPECIFIED:		APVD HOPE, LU 22OCT2019	NAME PCI EXPRESS CARD EDGE CONNECTOR GEN5, STD	
0 PLC ± 1 PLC ±0.3 2 PLC ±0.20 3 PLC ±0.050 4 PLC ± ANGLES ± FINISH ±		PRODUCT SPEC 108-160247	SIZE A200779	DRAWING NO C-2364427
MATERIAL		APPLIC. SPEC	CAGE CODE	RESTRICTED TO
-		WEIGHT	-	-
-		CUSTOMER DRAWING	SCALE 6:1	SHEET 4 OF 7 REV D

THIS DRAWING IS UNPUBLISHED. RELEASED FOR PUBLICATION 20
 © COPYRIGHT 20 BY - ALL RIGHTS RESERVED.

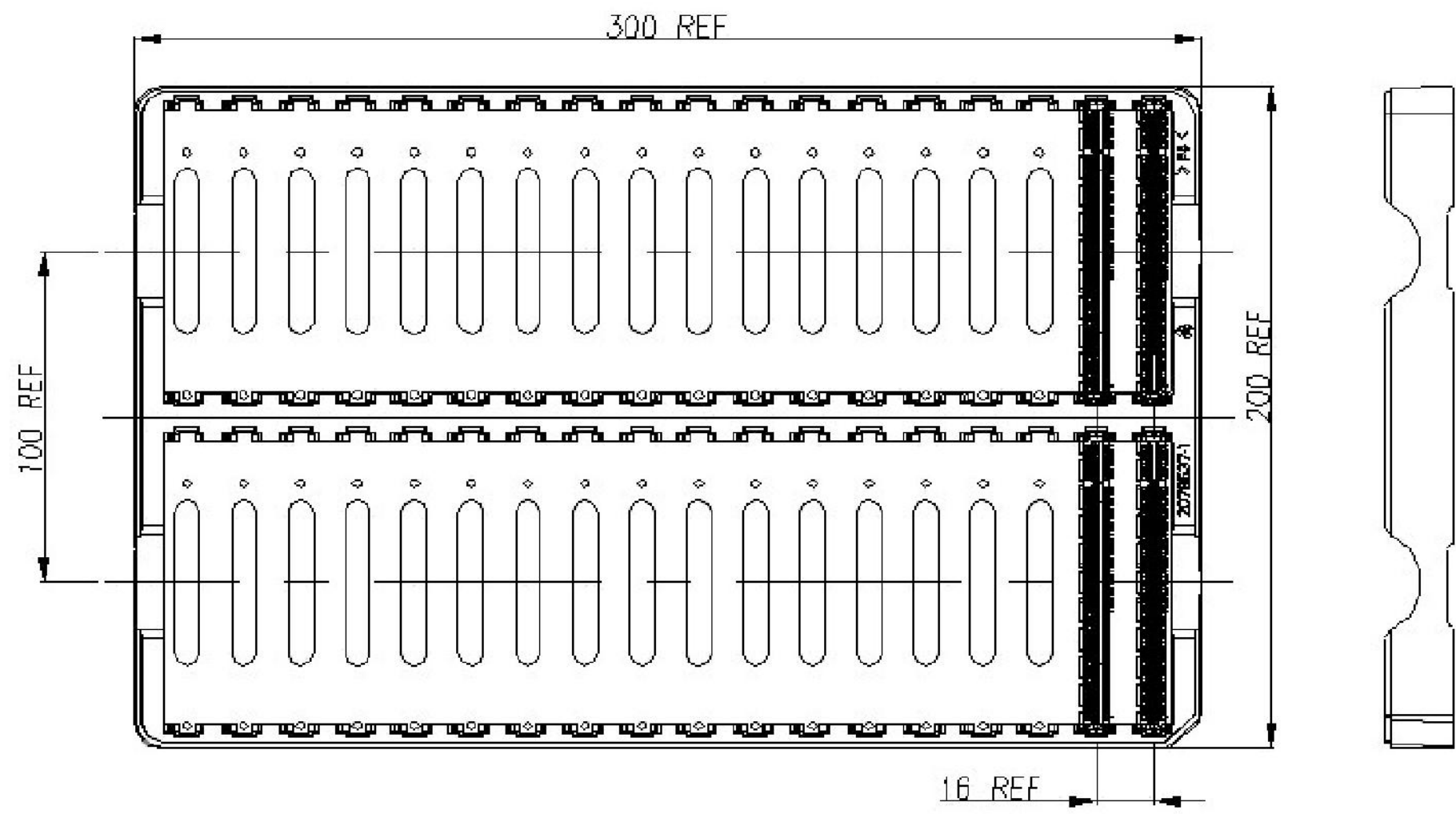
REVISIONS				
P	LTR	DESCRIPTION	DATE	APVD
-	-	SEE SHEET 1	-	-




HARD TRAY: FOR 164POS
SCALE: 1:2



HARD TRAY: FOR 98POS
SCALE: 1:2

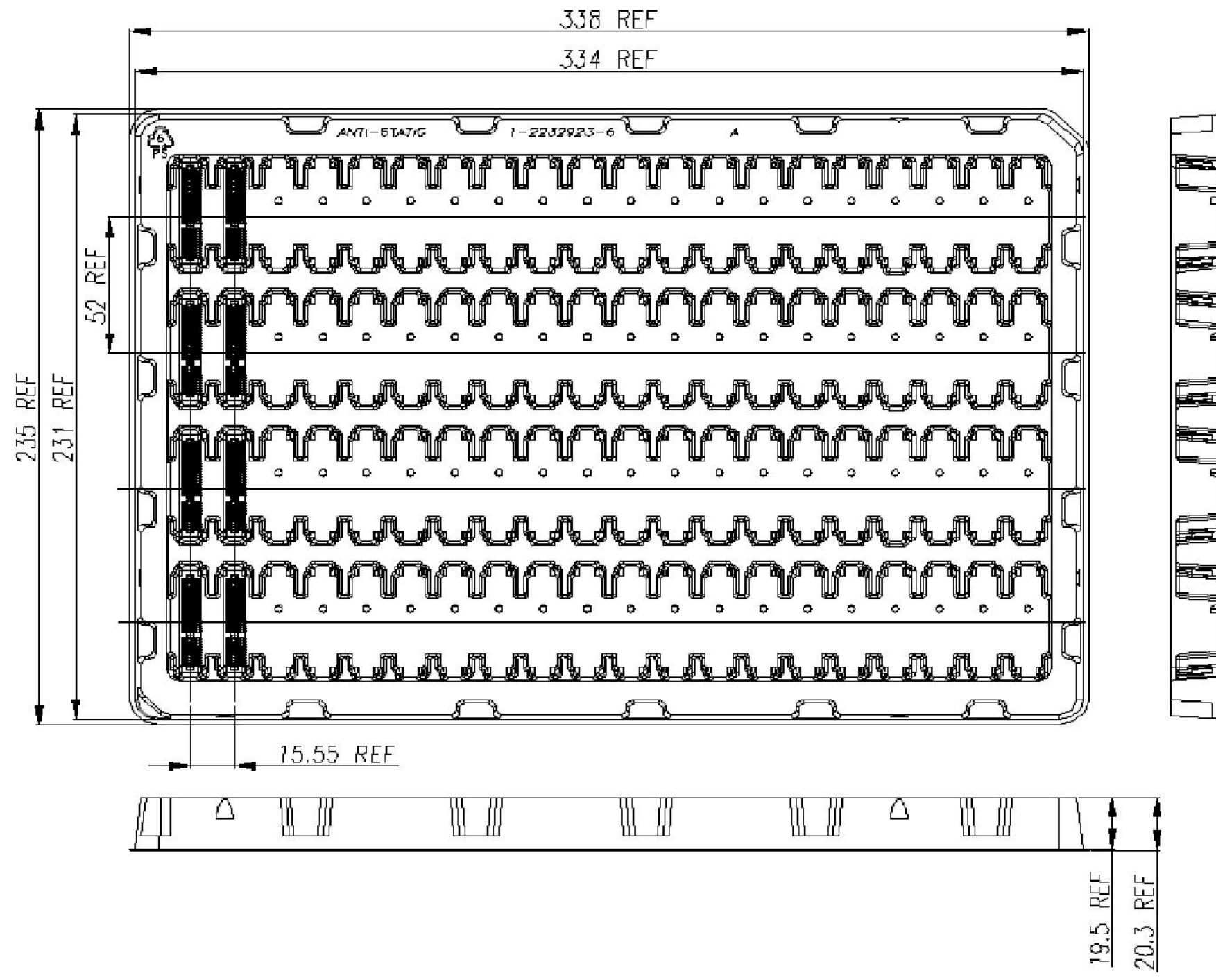


HARD TRAY: FOR 8-2364427-4 (164POS)
SCALE: 1:2

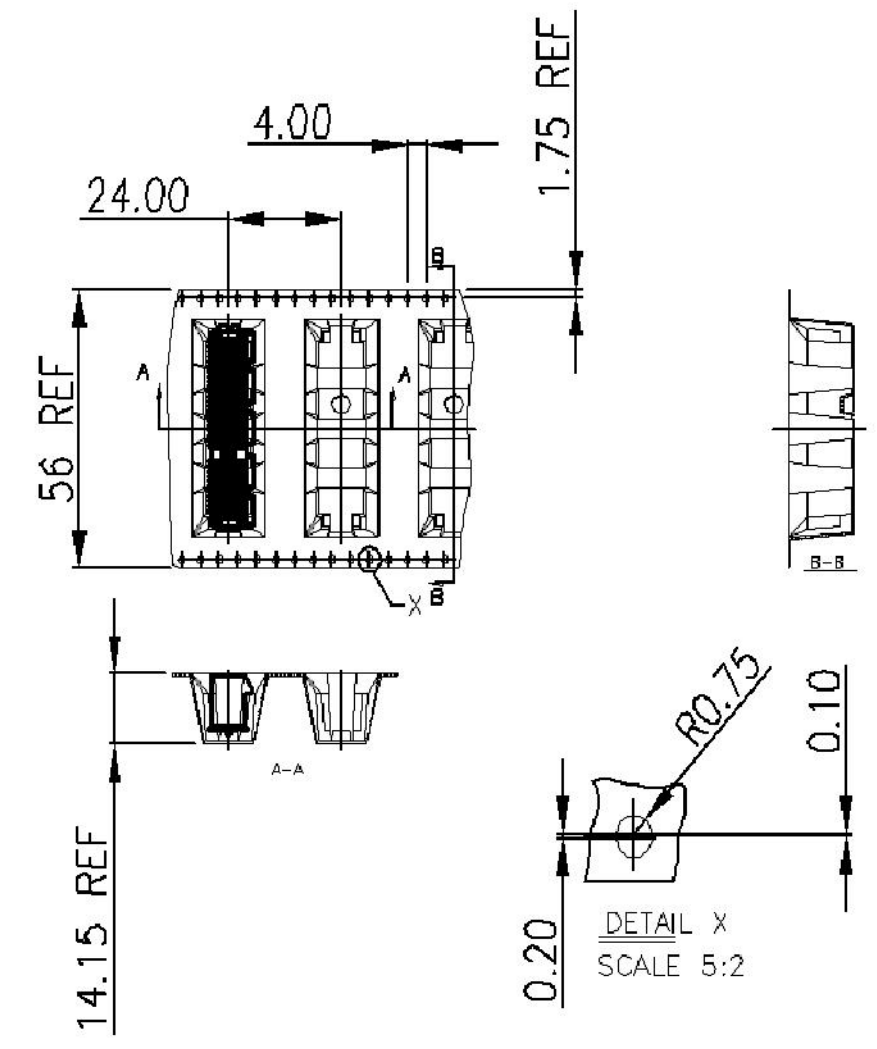
THIS DRAWING IS A CONTROLLED DOCUMENT.		DWN SANDERS, YAN 22OCT2019	 TE Connectivity	
DIMENSIONS: mm		CHK MIKE, CHEN 22OCT2019		
TOLERANCES UNLESS OTHERWISE SPECIFIED:		APVD HOPE, LU 22OCT2019	NAME PCI EXPRESS CARD EDGE CONNECTOR GEN5, STD	
0 PLC ± 1 PLC ±0.3 2 PLC ±0.20 3 PLC ±0.050 4 PLC ± ANGLES ± FINISH		PRODUCT SPEC 108-160247	SIZE CAGE CODE DRAWING NO RESTRICTED TO	
MATERIAL		APPLICATION SPEC	A200779 C-2364427	
		WEIGHT	SCALE 6:1 SHEET 5 OF 7 REV D	
		CUSTOMER DRAWING		

THIS DRAWING IS UNPUBLISHED. RELEASED FOR PUBLICATION 20
 © COPYRIGHT 20 BY - ALL RIGHTS RESERVED.

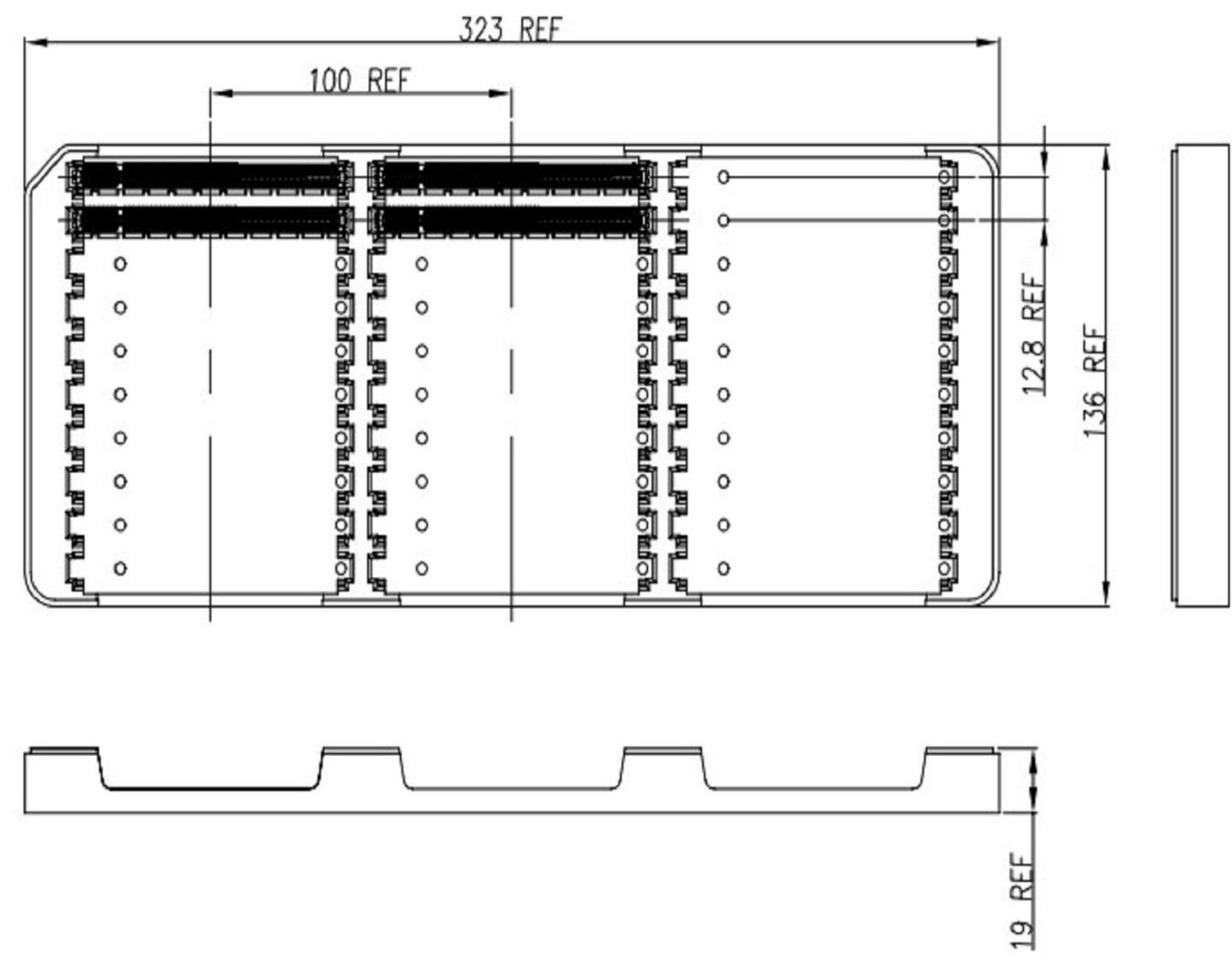
REVISIONS				
P	LTR	DESCRIPTION	DATE	APVD
-	-	SEE SHEET 1	-	-




SOFT TRAY: FOR 64POS
SCALE: 1:2



TAPE & REEL: FOR 6-2364427-6 (64POS)
SCALE: 1:2

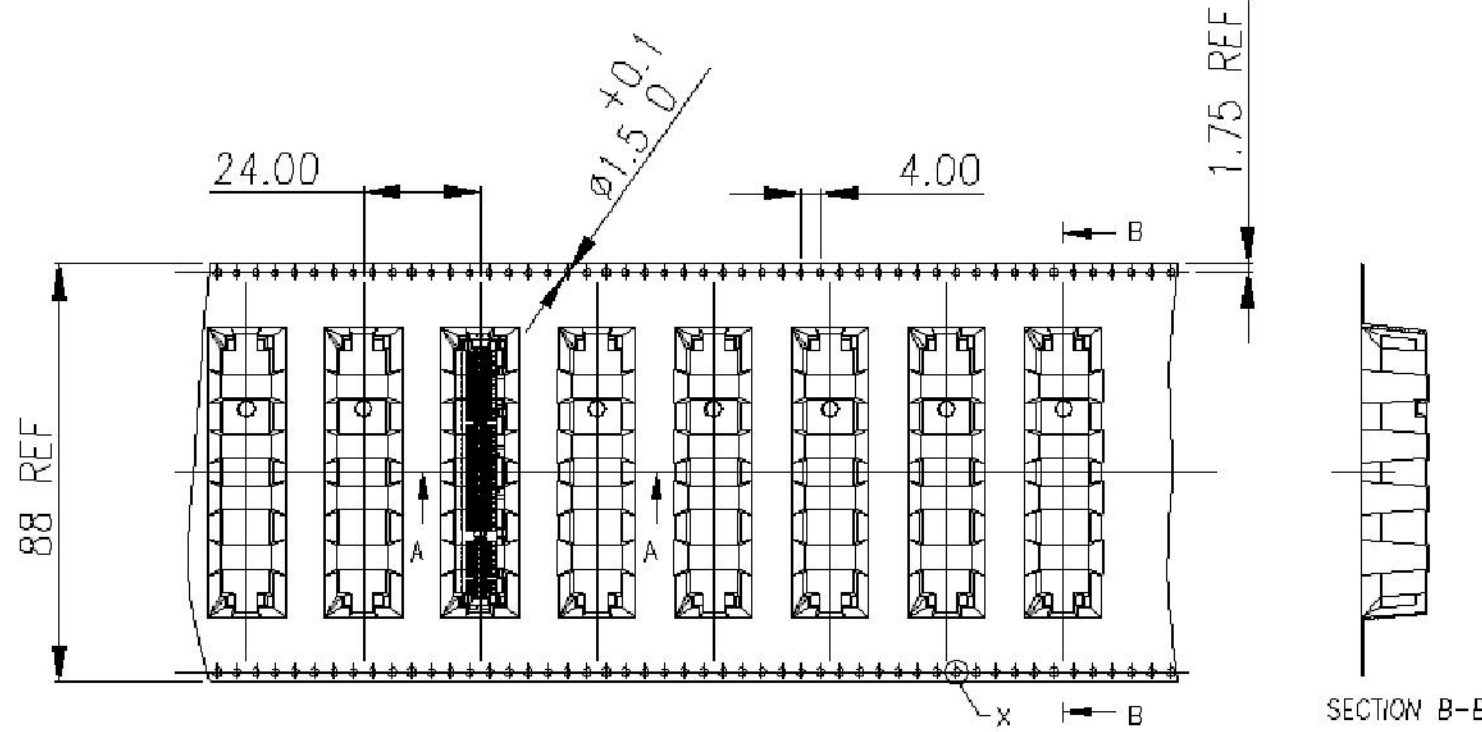


HARD TRAY: FOR 6-2364427-7/8/9 (164POS)
SCALE: 1:2

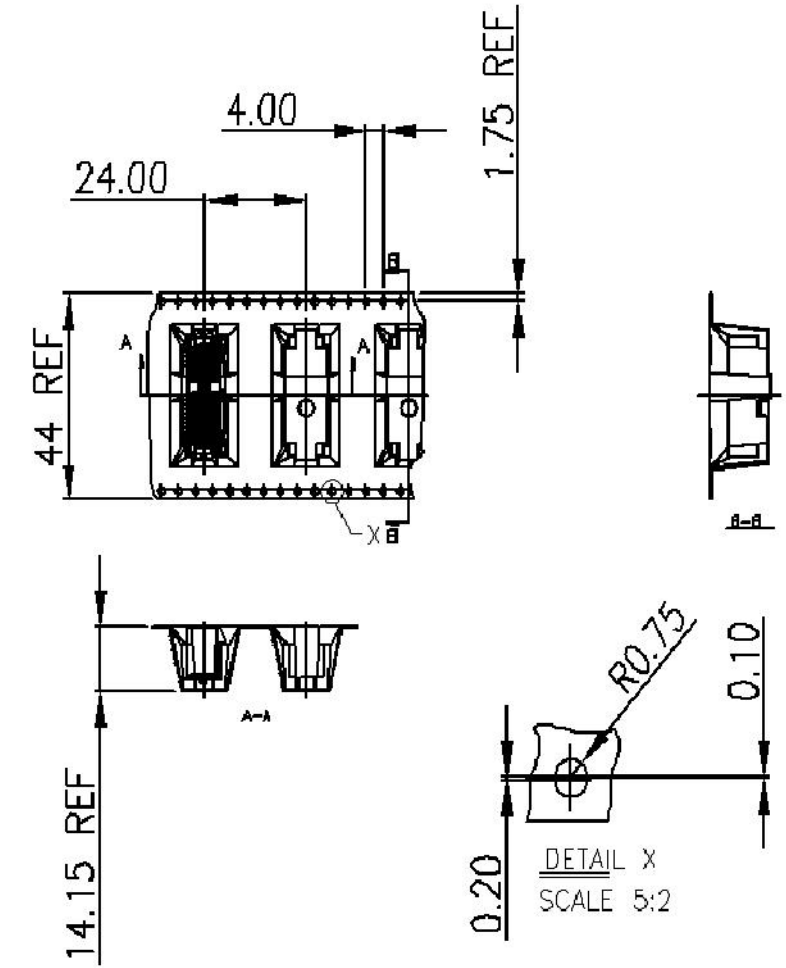
THIS DRAWING IS A CONTROLLED DOCUMENT.		DWN SANDERS YAN 22OCT2019	 TE Connectivity	
DIMENSIONS: mm		CHK MIKE CHEN 22OCT2019		
TOLERANCES UNLESS OTHERWISE SPECIFIED:		APVD HOPE LU 22OCT2019	NAME PCI EXPRESS CARD EDGE CONNECTOR GEN5, STD	
0 PLC ±	1 PLC ±0.3	PRODUCT SPEC 108-160247	SIZE CAGE CODE DRAWING NO RESTRICTED TO	
2 PLC ±0.20	3 PLC ±0.050	APPLICATION SPEC -	A200779 C-2364427	
4 PLC ±	ANGLES ±	WEIGHT -	SCALE 6:1 SHEET 6 OF 7 REV D	
FINISH -	-	CUSTOMER DRAWING		

THIS DRAWING IS UNPUBLISHED. RELEASED FOR PUBLICATION 20
 © COPYRIGHT 20 BY - ALL RIGHTS RESERVED.

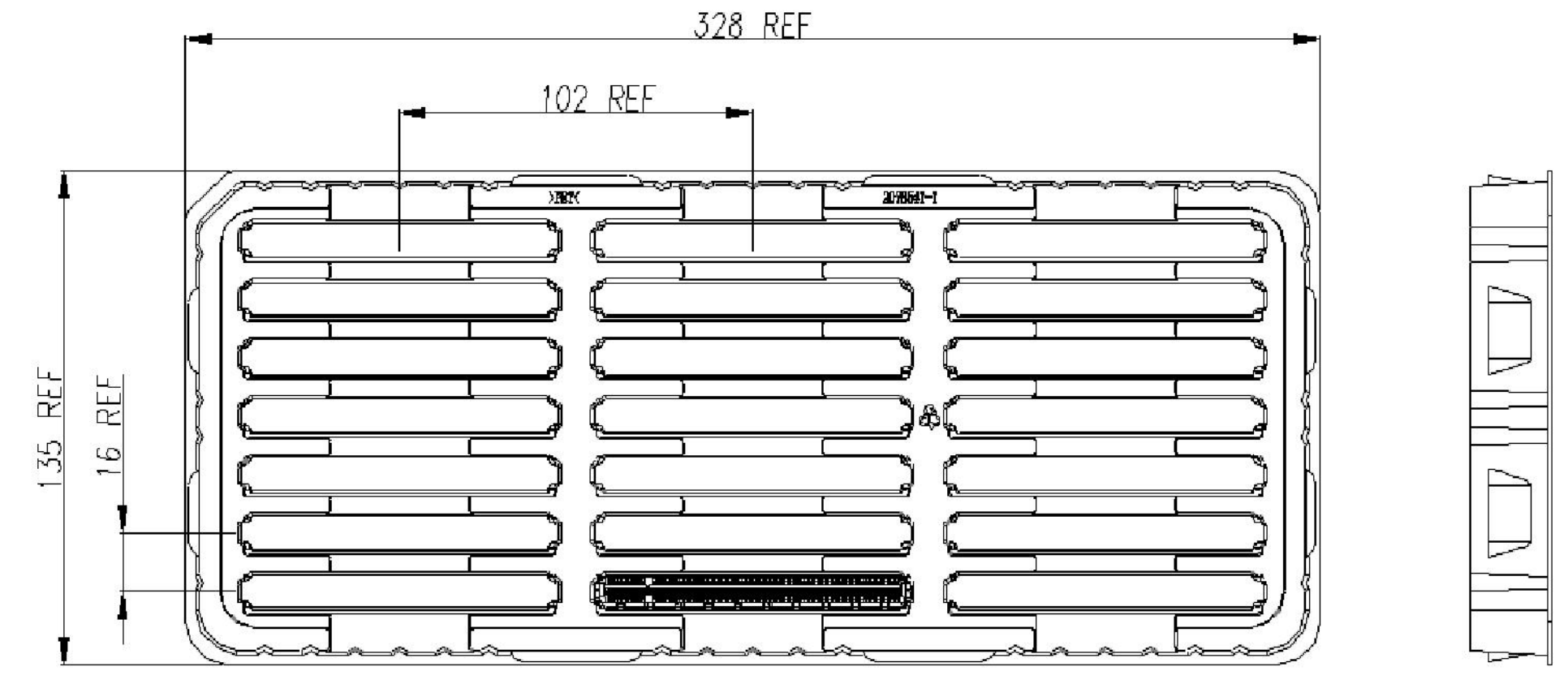
REVISIONS				
P	LTR	DESCRIPTION	DATE	APVD
-	-	SEE SHEET 1	-	-



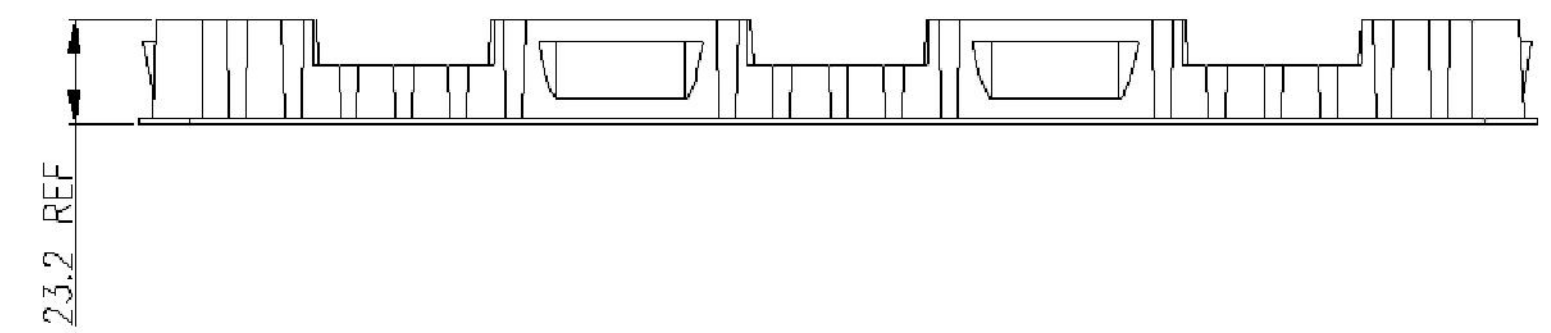
TAPE & REEL: FOR 7-2364427-7 AND 7-2364427-9 (98POS)
 SCALE: 1:2




TAPE & REEL: FOR 6-2364427-5 (36POS)
 SCALE: 1:2



SOFT TRAY: FOR 7-2364427-8 (164POS)
 SCALE: 1:2



THIS DRAWING IS A CONTROLLED DOCUMENT.		DWN SANDERS, YAN 22OCT2019	 TE Connectivity	
DIMENSIONS: mm		CHK MIKE, CHEN 22OCT2019		
TOLERANCES UNLESS OTHERWISE SPECIFIED:		APVD HOPE, LU 22OCT2019	NAME PCI EXPRESS CARD EDGE CONNECTOR GEN5, STD	
0 PLC ±	1 PLC ±0.3	PRODUCT SPEC 108-160247	SIZE	CAGE CODE
2 PLC ±0.20	3 PLC ±0.050	APPLICATION SPEC	A200779	C-2364427
4 PLC ±	ANGLES ±	FINISH	SCALE 6:1	SHEET 7 OF 7
MATERIAL	FINISH	WEIGHT	CUSTOMER DRAWING	REV D

X-ON Electronics

Largest Supplier of Electrical and Electronic Components

Click to view similar products for [PCI Express/PCI Connectors](#) category:

Click to view products by [TE Connectivity](#) manufacturer:

Other Similar products are found below :

[PCIEEXT16HOT](#) [UEX220-6U](#) [10025026-10003PLF](#) [10125756-980000LF](#) [GPCP442628110HR](#) [GPCP245400111HR](#) [10082378-10000TLF](#)
[MDT580M03001](#) [MPE-D-52-R-SMT-9.2-TR](#) [2041216-1](#) [MDT580M01001](#) [10141523-111T0LF](#) [10146070-112Y0LF](#) [10150657-052R0LF](#)
[1759513-1](#) [10082378-10213TLF](#) [10123920-A20LF](#) [10124928-001LF](#) [10125101-A15RLF](#) [10125101-A30RLF](#) [10125756-642010LF](#)
[10125756-A42010LF](#) [1612257-7](#) [1-1612257-2](#) [10125756-A40010LF](#) [10151114-001TLF](#) [SM3ZS067U215AMR1500](#) [10146070-113X0LF](#)
[MDT320M01004](#) [MDT580M01003](#) [10146070-123X0LF](#) [MDT420STD001](#) [10146070-113B0LF](#) [10146069112X0LF](#) [1-1734774-2](#) [63010](#)
[74540-0201](#) [74540-0501](#) [7-1734774-7](#) [3-1761465-1](#) [10039755-10111TLF](#) [10039755-10112TLF](#) [10018783-10211TLF](#) [10018784-10212TLF](#)
[1761465-2](#) [87715-9202](#) [87715-9208](#) [1871058-1](#) [5-1761465-4](#) [10018783-10200MLF](#)