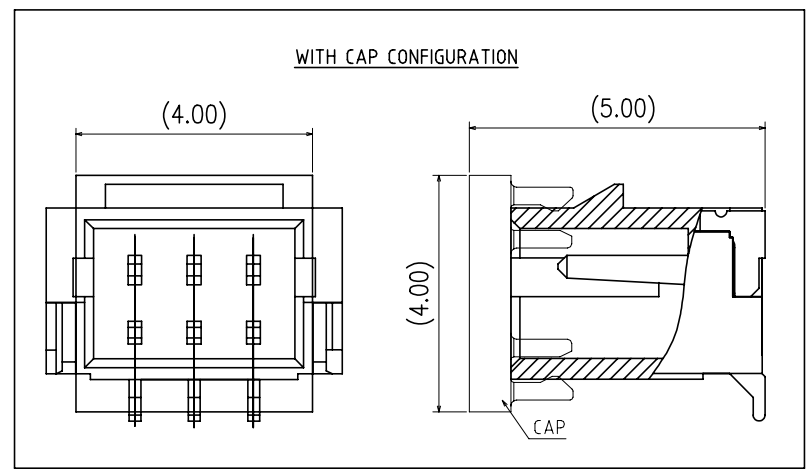
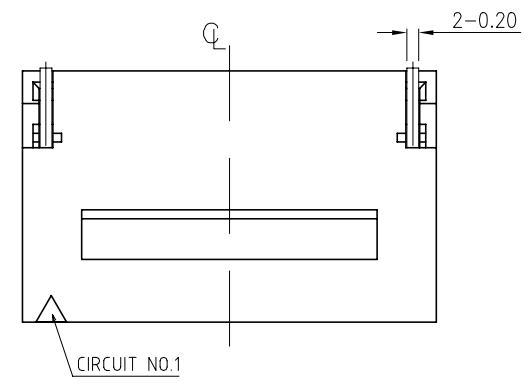
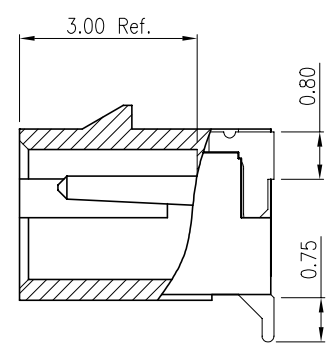
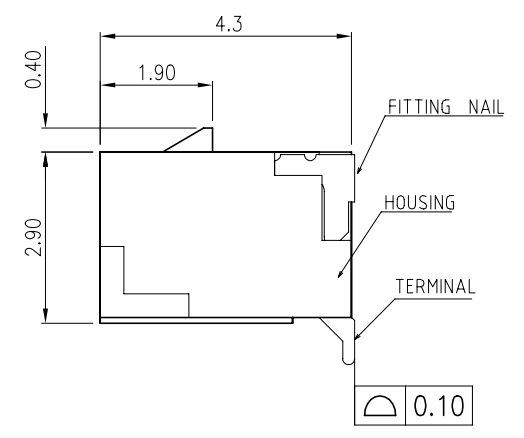
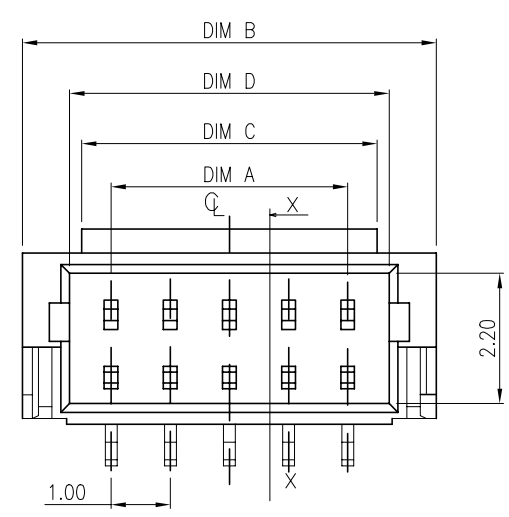


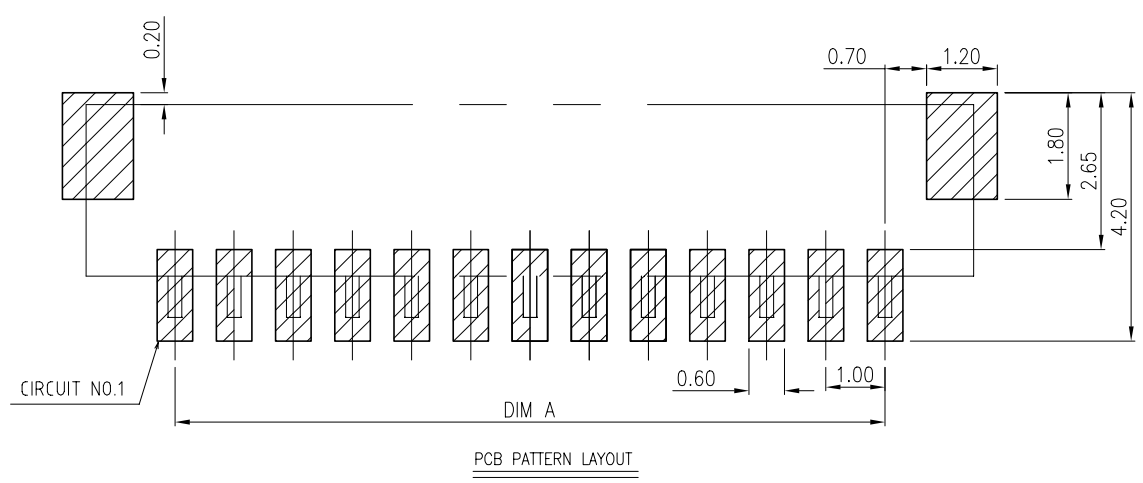
P	LTR	DESCRIPTION	DATE	DWN	APVD
	A1	ECR-21-102045	13APR2021	T.Q	N.S



- MATERIAL:
  - HOUSING: HALOGEN FREE PLASTIC, HIGH TEMP, BLACK ,UL94V-0.
  - CONTACT: COPPER ALLOY
  - FITTING NAIL: COPPER ALLOY
- TERMINAL:
  - TYPE A: 50u" MIN. NICKEL UNDERPLATING OVERALL.  
50u" MIN. MATT TIN PLATING ON CONTACT AREA AND SOLDER AREA.
  - TYPE B: 50u" MIN. NICKEL UNDERPLATING OVERALL.  
GOLD FLASH PLATING ON CONTACT AREA.  
GOLD FLASH PLATING ON SOLDER AREA.
  - TYPE C: 50u" MIN. NICKEL UNDERPLATING OVERALL.  
30u" GOLD PLATING ON CONTACT AREA.  
GOLD FLASH PLATING ON SOLDER AREA
- FITTING NAIL: 50u" MIN. NICKEL UNDERPLATING OVERALL.  
1:GOLD FLASH PLATING ON SOLDER AREA.
- REFLOW SOLDER CAPABLE TO 260°C PER ACES SPEC.
- PACKAGE STYLE: TAPE AND REEL WITH MYLAR.



15.4	15.0	17.0	14.0	15	5-2367197-5	3-2367197-5	1-2367197-5
14.4	14.0	16.0	13.0	14	5-2367197-4	3-2367197-4	1-2367197-4
13.4	13.0	15.0	12.0	13	5-2367197-3	3-2367197-3	1-2367197-3
12.4	12.0	14.0	11.0	12	5-2367197-2	3-2367197-2	1-2367197-2
11.4	11.0	13.0	10.0	11	5-2367197-1	3-2367197-1	1-2367197-1
10.4	10.0	12.0	9.0	10	5-2367197-0	3-2367197-0	1-2367197-0
9.4	9.0	11.0	8.0	9	4-2367197-9	2-2367197-9	2367197-9
8.4	8.0	10.0	7.0	8	4-2367197-8	2-2367197-8	2367197-8
7.4	7.0	9.0	6.0	7	4-2367197-7	2-2367197-7	2367197-7
6.4	6.0	8.0	5.0	6	4-2367197-6	2-2367197-6	2367197-6
5.4	5.0	7.0	4.0	5	4-2367197-5	2-2367197-5	2367197-5
4.4	4.0	6.0	3.0	4	4-2367197-4	2-2367197-4	2367197-4
3.4	3.0	5.0	2.0	3	4-2367197-3	2-2367197-3	2367197-3
DIM .D	DIM .C	DIM ,B	DIM .A	POS. NO.	TYPE C	TYPE B	TYPE A
PLATING SPEC.							
P/N							



THIS DRAWING IS A CONTROLLED DOCUMENT.

DWN Tommy Qian 18DEC2019

CHK Wenke He

APVD Wenke He

NAME

PRODUCT SPEC 108-115169

APPLICATION SPEC 114-115031

WEIGHT

SIZE A3 CAGE CODE 00779 DRAWING NO C=2367197 RESTRICTED TO

SCALE N/A SHEET 1 of 2 REV A1

**TE** TE Connectivity

1.0P WTB BOARD SIDE VERTICAL TYPE WITH LATCH

DIMENSIONS: mm

TOLERANCES UNLESS OTHERWISE SPECIFIED:

0 PLC	± 0.5
1 PLC	± 0.35
2 PLC	± 0.25
3 PLC	± 0.15
4 PLC	±
ANGLES	± 2'

MATERIAL SEE NOTE FINISH -

CUSTOMER DRAWING

4

3

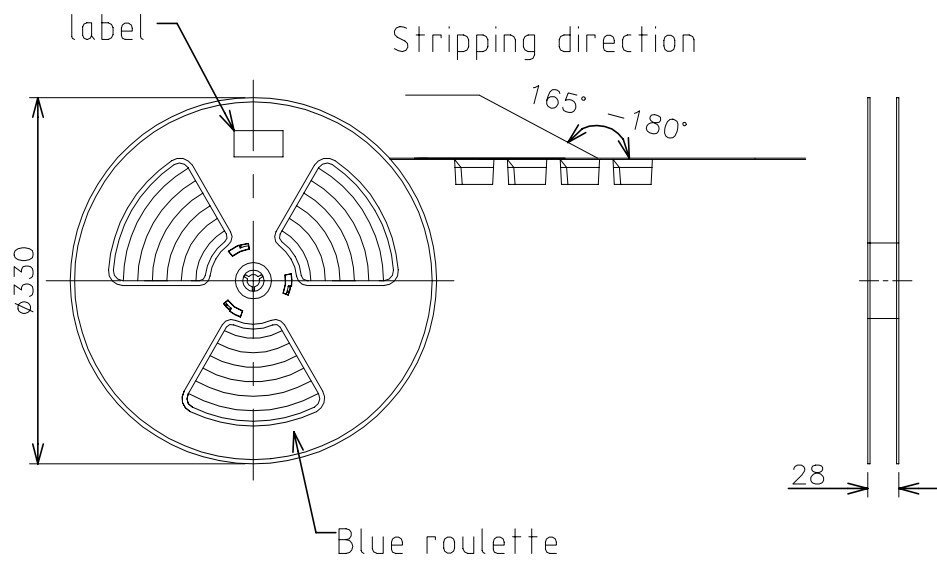
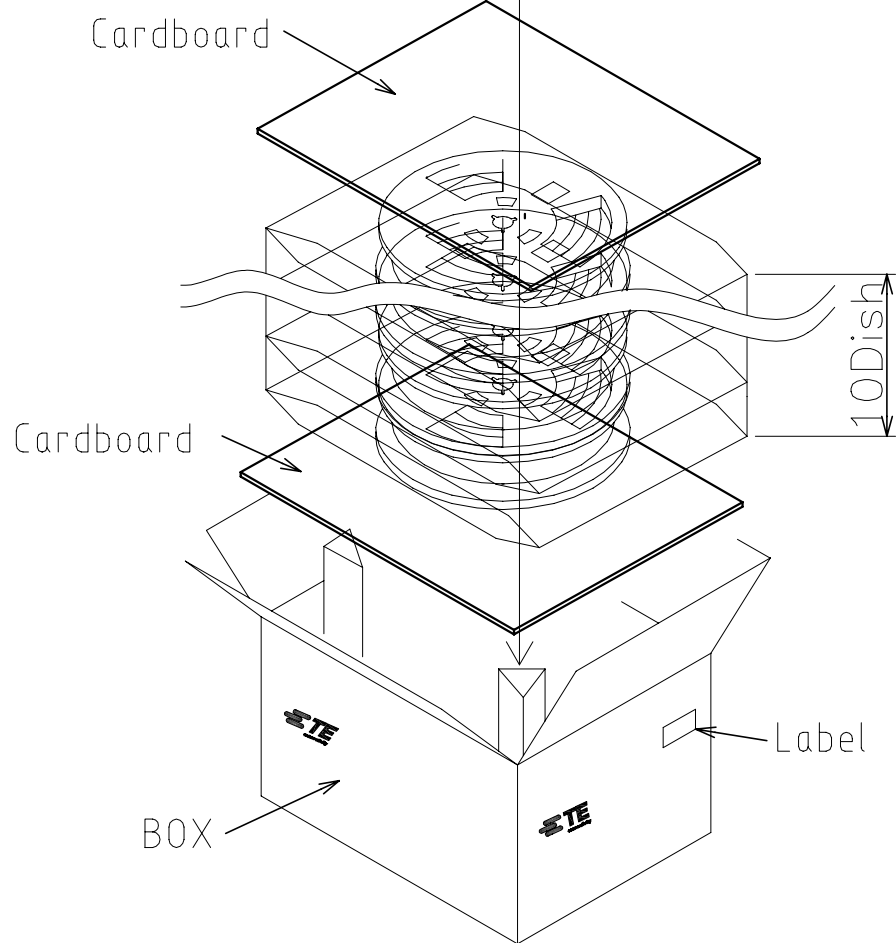
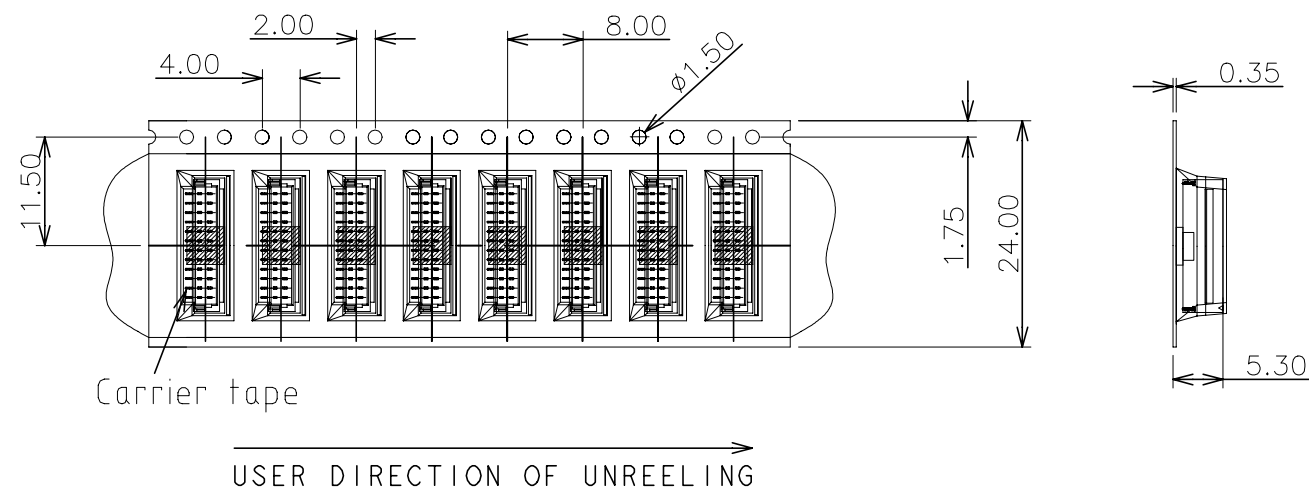
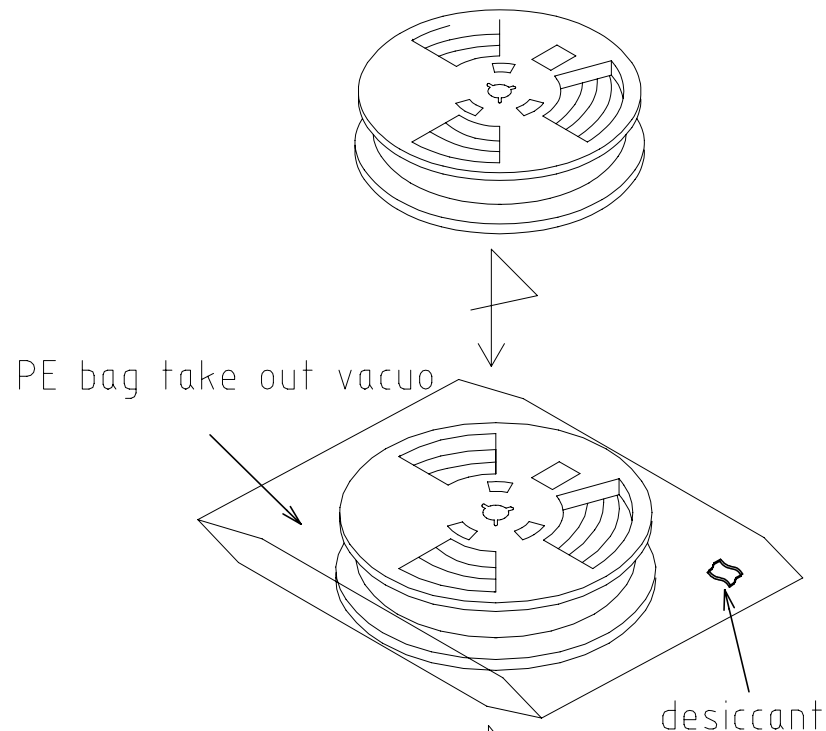
2

1

© - TE Connectivity. All Rights Reserved.

REVISIONS

P	LTR	DESCRIPTION	DATE	DWN	APVD
-	-	SEE SHEET 1	-	-	-



Note:  
 PACKAGE FOR x-2367197-x  
 Quantity: 1400pcs/reel  
 14000pcs/box.

THIS DRAWING IS A CONTROLLED DOCUMENT.		DWN Tommy Qian 18DEC2019	TE Connectivity		
DIMENSIONS: mm		CHK Wenke He			
TOLERANCES UNLESS OTHERWISE SPECIFIED:		APVD Wenke He	PRODUCT SPEC		
<ul style="list-style-type: none"> <li>0 PLC ± 0.5</li> <li>1 PLC ± 0.35</li> <li>2 PLC ± 0.25</li> <li>3 PLC ± 0.15</li> <li>4 PLC ±</li> <li>ANGLES ±°</li> </ul>		APPLICATION SPEC		RESTRICTED TO	
MATERIAL SEE NOTE		FINISH -	WEIGHT		SIZE
		108-115169		A3	
		114-115031		00779	
		CUSTOMER DRAWING		C=2367197	
		SCALE N/A		SHEET 2 of 2	
				REV A1	

## X-ON Electronics

Largest Supplier of Electrical and Electronic Components

*Click to view similar products for [Headers & Wire Housings](#) category:*

*Click to view products by [TE Connectivity](#) manufacturer:*

Other Similar products are found below :

[892-18-020-10-001101](#) [58102-G61-06LF](#) [582553-1](#) [0009485154](#) [009176003701906](#) [0050291907](#) [LY20-4P-DT1-P1E-BR](#) [02.125.8002.8](#)  
[609-3404](#) [61062-3](#) [61082-181009](#) [622-3653LF](#) [63453-116](#) [636-1030](#) [636-1427](#) [636-3427](#) [636-4007](#) [641938-9](#) [641991-4](#) [644827-2](#) [65817-010LF](#) [65817-015LF](#) [65863-015LF](#) [66207-023LF](#) [67095-007LF](#) [67601157](#) [68645-018](#) [68648-049](#) [70.362.1628.0](#) [70-4210](#) [70-4226B](#) [70-4853B](#) [707-5020](#) [707-5028](#) [71.350.2428.0](#) [71918-208LF](#) [71961-016LF](#) [733-134](#) [733-162](#) [754199-000](#) [760-3052](#) [787-8014-00](#) [79531-3000](#)  
[FCN-360C032-B](#) [FCN-367T-T012/H](#) [FCN-723D010/2](#) [80.063.4001.1](#) [800-90-001-10-001000](#) [800-90-010-10-002000](#) [801-43-002-10-013000](#)