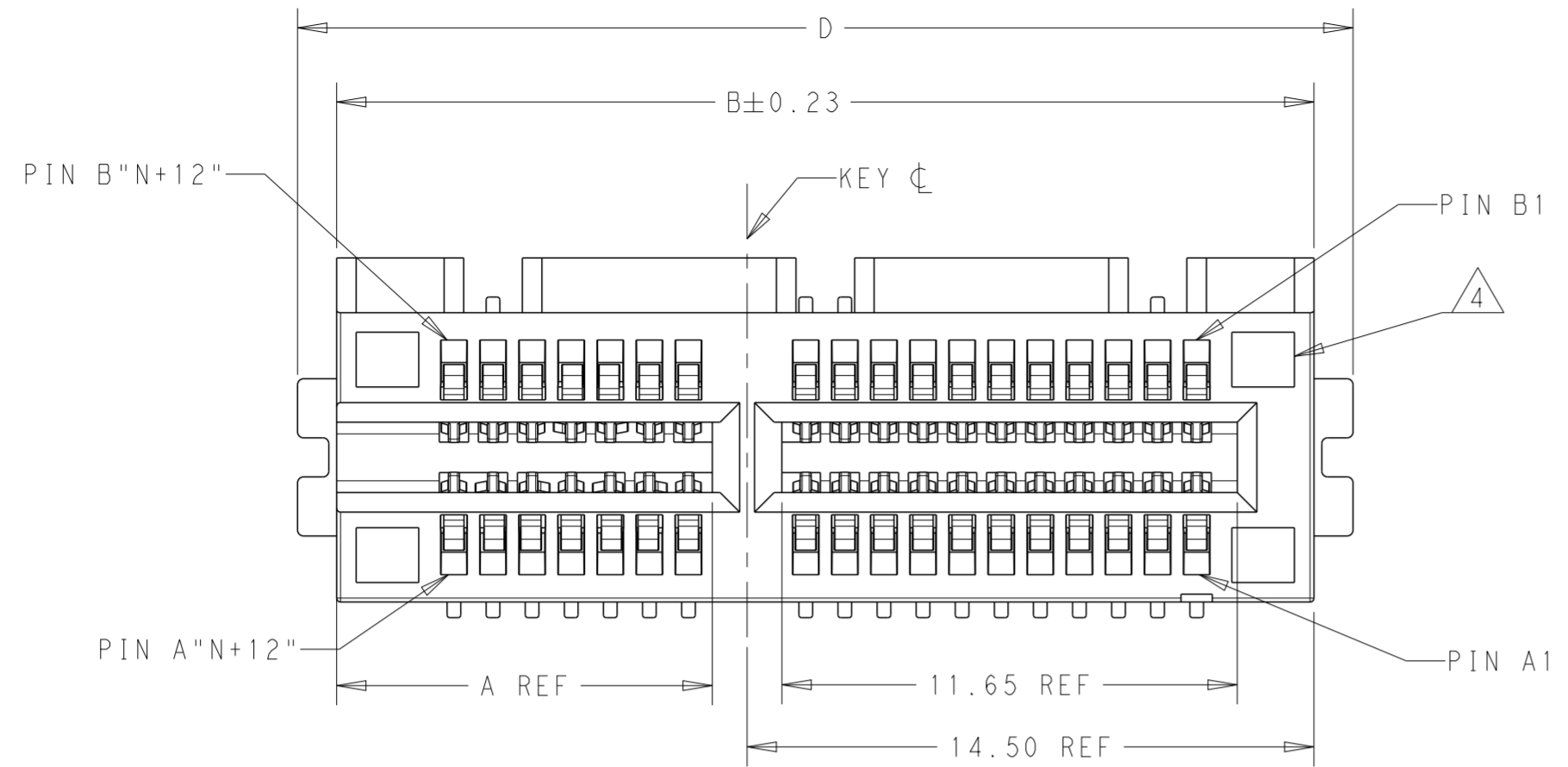


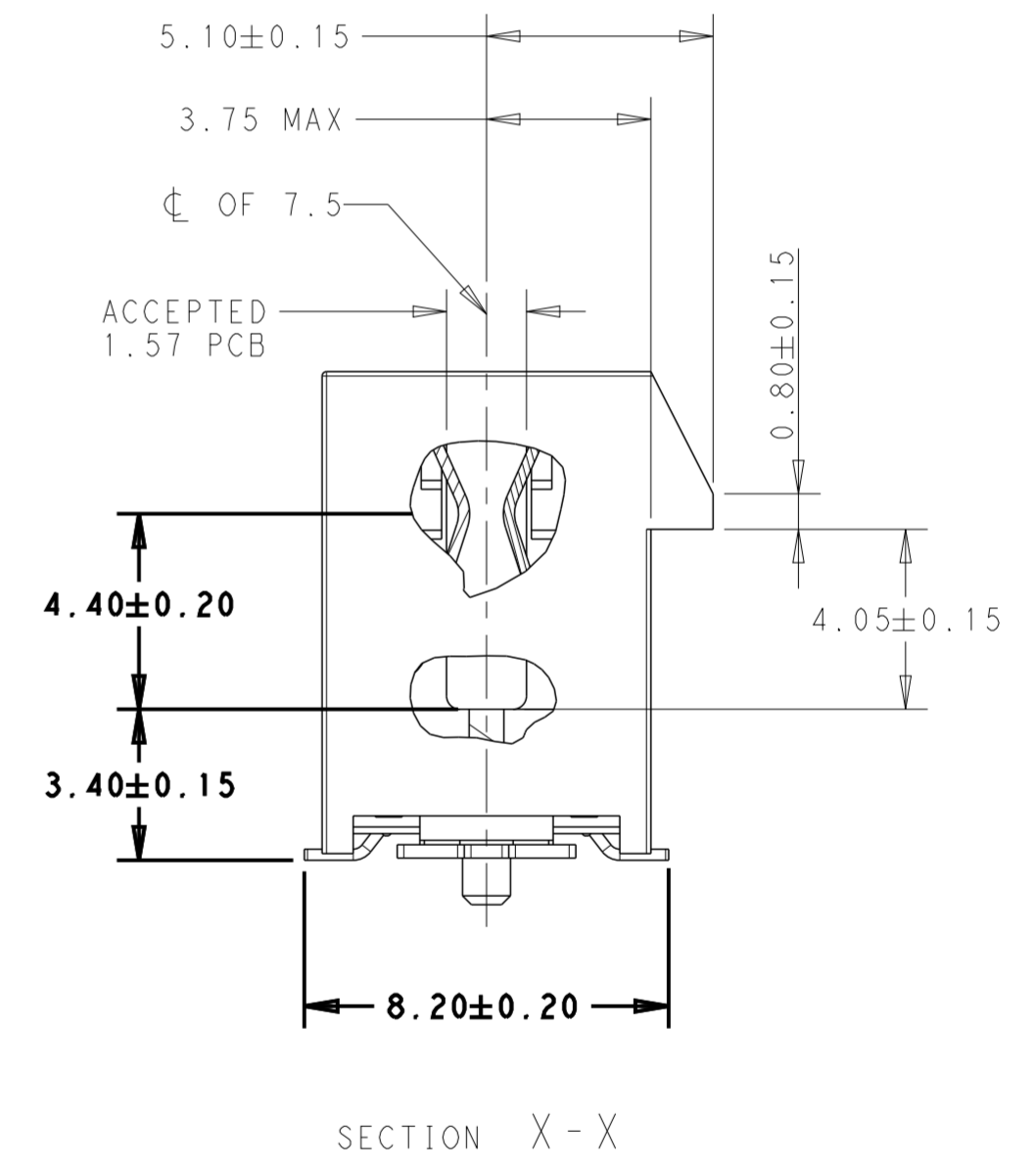
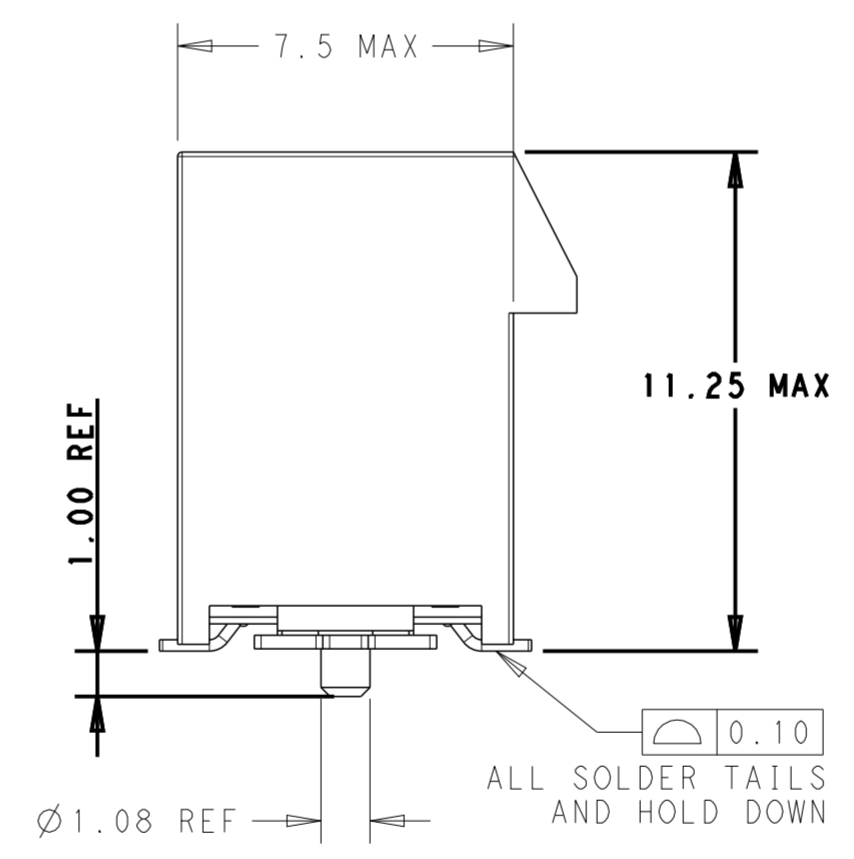
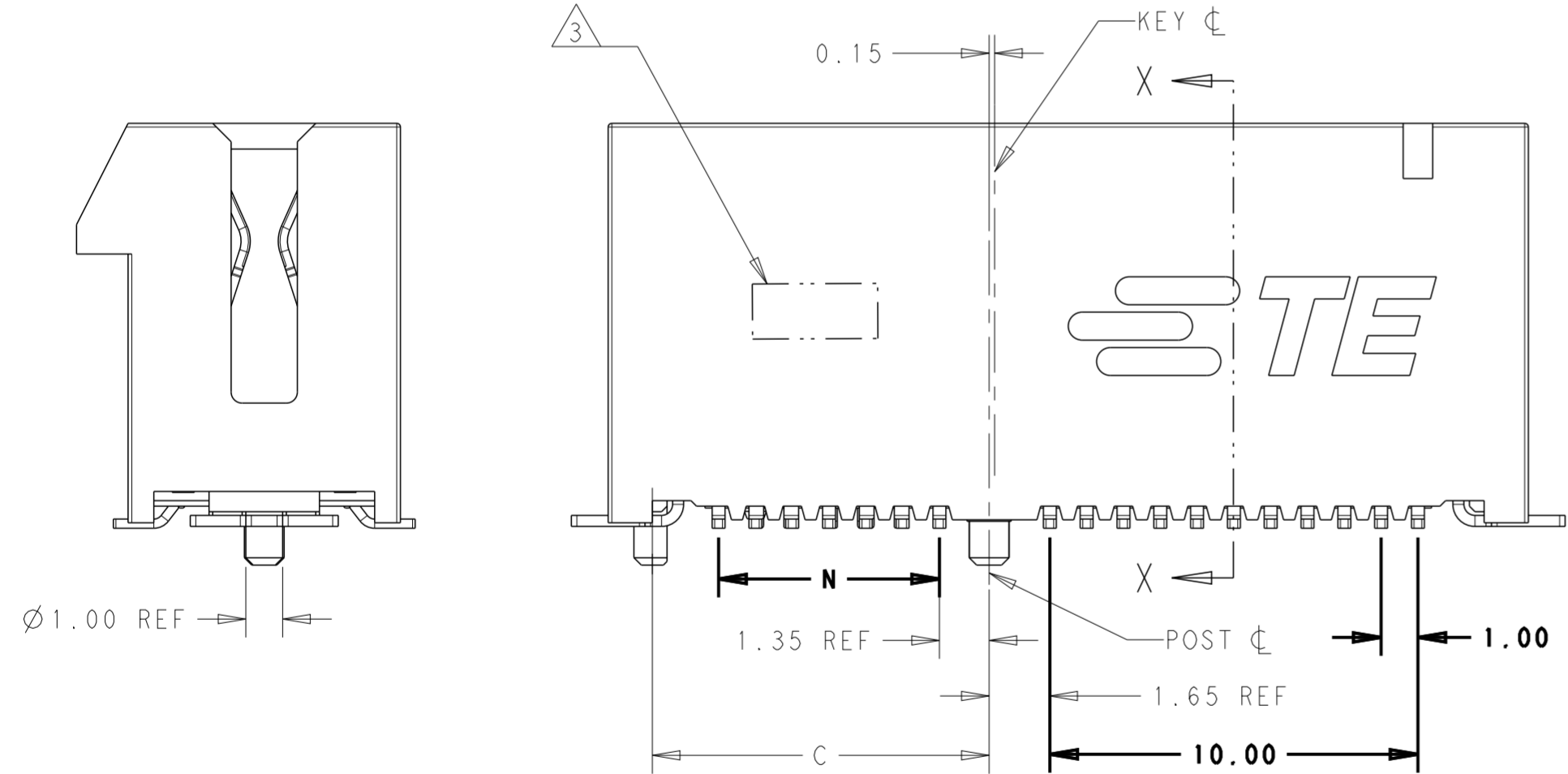
THIS DRAWING IS UNPUBLISHED. RELEASED FOR PUBLICATION 20
 © COPYRIGHT 20 BY - ALL RIGHTS RESERVED.

REVISIONS					
P	LTR	DESCRIPTION	DATE	DWN	APVD
A		A REVISION RELEASE	6JUNE2022	SY	HL
B		UPDATE HARD TRAY IN SHEET5	24NOV2022	MC	HL



NOTES:

- 1 MATERIAL:
HOUSING: HIGH-TEMP PLASTIC; BLACK, UL 94V-0
CONTACT: COPPER ALLOY
HOLD DOWN: COPPER ALLOY
- 2 FINISH:
(SEE TABLE) 0.1 INCH GOLD PLATING OR GOLD FLASH OVER PdNi ON CONTACT AREA.
2.54um MATTE-TIN PLATING ON SOLDER TAIL AREA.
1.27um NICKEL UNDERPLATING OVERALL.
- 3 PCIE5, PART NUMBER AND DC PRINTED IN APPROPRIATE AREA OR OPPOSITE
- 4 SUCH CORE VOIDS PER MANUFACTURER'S CONVENIENCE.


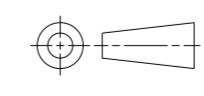


THIS DRAWING IS A CONTROLLED DOCUMENT.		DWN 08APR2020 SANDERS, YAN	TE Connectivity	
DIMENSIONS: mm		CHK 08APR2020 MIKE, CHEN		
TOLERANCES UNLESS OTHERWISE SPECIFIED:		APVD 08APR2020 HOPE, LU	NAME PCI EXPRESS CARD EDGE CONNECTOR GEN5, STD, ONE SIDE OPEN	
0 PLC ±	1 PLC ±0.3	PRODUCT SPEC 108-160247	SIZE	RESTRICTED TO
2 PLC ±0.20	3 PLC ±0.050	APPLICATION SPEC	CAGE CODE	
4 PLC ±	ANGLES ±	FINISH	DRAWING NO	
MATERIAL		WEIGHT	A200779	
		CUSTOMER DRAWING	C-2371899	
		SCALE 6:1	SHEET 1 OF 6	REV B

THIS DRAWING IS UNPUBLISHED. RELEASED FOR PUBLICATION 20
 © COPYRIGHT 20 BY - ALL RIGHTS RESERVED.

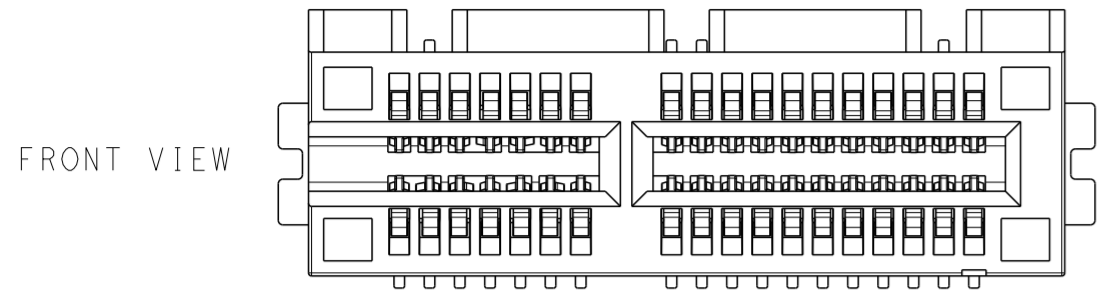
REVISIONS				
P	LTR	DESCRIPTION	DATE	APVD
-		SEE SHEET 1	-	-

TYPE	L * W * H (TRAY)	PRECIOUS PLATING THICKNESS (TOTAL)	W	V	J	D	N	C	B	A	POS.	PART NUMBER
TAPE & REEL	88 X 13.92 X 24(W*D*P)	30u"	53.5	8	28	58	37	40.15	56	40.61	98	7-2371899-7
HARD TRAY	330 X 235 X 19.3	30u"	45.0	8	44.5	91	70	73.15	89	73.61	164	7-2371899-4
HARD TRAY	330 X 235 X 19.3	30u"	86.5	8	44.5	91	70	73.15	89	73.61	164	5-2371899-8
HARD TRAY	330 X 235 X 19.3	30u"	53.5	8	28	58	37	40.15	56	40.61	98	5-2371899-7
SOFT TRAY	338 X 235 X 20.3	30u"	36.5	8	19.5	41	20	23.15	39	23.61	64	5-2371899-6
SOFT TRAY	TBD	30u"	22.5	8	12.5	27	6	9.15	25	9.61	36	5-2371899-5
HARD TRAY	330 X 235 X 19.3	30u"	10.0	8	44.5	91	70	73.15	89	73.61	164	5-2371899-4
HARD TRAY	330 X 235 X 19.3	30u"	10.0	8	28	58	37	40.15	56	40.61	98	5-2371899-3
SOFT TRAY	338 X 235 X 20.3	30u"	10.0	8	19.5	41	20	23.15	39	23.61	64	5-2371899-2
SOFT TRAY	TBD	30u"	10.0	8	12.5	27	6	9.15	25	9.61	36	5-2371899-1
HARD TRAY	330 X 235 X 19.3	15u"	86.5	8	44.5	91	70	73.15	89	73.61	164	4-2371899-8
HARD TRAY	330 X 235 X 19.3	15u"	53.5	8	28	58	37	40.15	56	40.61	98	4-2371899-7
SOFT TRAY	338 X 235 X 20.3	15u"	36.5	8	19.5	41	20	23.15	39	23.61	64	4-2371899-6
SOFT TRAY	TBD	15u"	22.5	8	12.5	27	6	9.15	25	9.61	36	4-2371899-5
HARD TRAY	330 X 235 X 19.3	15u"	10.0	8	44.5	91	70	73.15	89	73.61	164	4-2371899-4
HARD TRAY	330 X 235 X 19.3	15u"	10.0	8	28	58	37	40.15	56	40.61	98	4-2371899-3
SOFT TRAY	338 X 235 X 20.3	15u"	10.0	8	19.5	41	20	23.15	39	23.61	64	4-2371899-2
SOFT TRAY	TBD	15u"	10.0	8	12.5	27	6	9.15	25	9.61	36	4-2371899-1
HARD TRAY	330 X 235 X 19.3	G/F	86.5	8	44.5	91	70	73.15	89	73.61	164	3-2371899-8
HARD TRAY	330 X 235 X 19.3	G/F	53.5	8	28	58	37	40.15	56	40.61	98	3-2371899-7
SOFT TRAY	338 X 235 X 20.3	G/F	36.5	8	19.5	41	20	23.15	39	23.61	64	3-2371899-6
SOFT TRAY	TBD	G/F	22.5	8	12.5	27	6	9.15	25	9.61	36	3-2371899-5
HARD TRAY	330 X 235 X 19.3	G/F	10.0	8	44.5	91	70	73.15	89	73.61	164	3-2371899-4
HARD TRAY	330 X 235 X 19.3	G/F	10.0	8	28	58	37	40.15	56	40.61	98	3-2371899-3
SOFT TRAY	338 X 235 X 20.3	G/F	10.0	8	19.5	41	20	23.15	39	23.61	64	3-2371899-2
SOFT TRAY	TBD	G/F	10.0	8	12.5	27	6	9.15	25	9.61	36	3-2371899-1
HARD TRAY	330 X 235 X 19.3	30u"		NA	44.5	91	70	73.15	89	73.61	164	2-2371899-4
HARD TRAY	330 X 235 X 19.3	30u"		NA	28	58	37	40.15	56	40.61	98	2-2371899-3
SOFT TRAY	338 X 235 X 20.3	30u"		NA	19.5	41	20	23.15	39	23.61	64	2-2371899-2
SOFT TRAY	TBD	30u"		NA	12.5	27	6	9.15	25	9.61	36	2-2371899-1
HARD TRAY	330 X 235 X 19.3	15u"		NA	44.5	91	70	73.15	89	73.61	164	1-2371899-4
HARD TRAY	330 X 235 X 19.3	15u"		NA	28	58	37	40.15	56	40.61	98	1-2371899-3
SOFT TRAY	338 X 235 X 20.3	15u"		NA	19.5	41	20	23.15	39	23.61	64	1-2371899-2
SOFT TRAY	TBD	15u"		NA	12.5	27	6	9.15	25	9.61	36	1-2371899-1
HARD TRAY	330 X 235 X 19.3	G/F		NA	44.5	91	70	73.15	89	73.61	164	2371899-4
HARD TRAY	330 X 235 X 19.3	G/F		NA	28	58	37	40.15	56	40.61	98	2371899-3
SOFT TRAY	338 X 235 X 20.3	G/F		NA	19.5	41	20	23.15	39	23.61	64	2371899-2
SOFT TRAY	TBD	G/F		NA	12.5	27	6	9.15	25	9.61	36	2371899-1

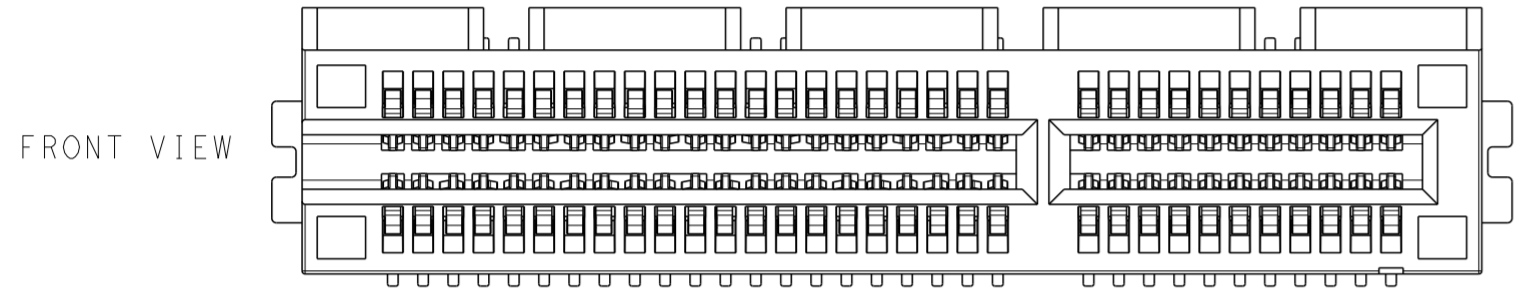
THIS DRAWING IS A CONTROLLED DOCUMENT.		DWN SANDERS YAN 08APR2020	 TE Connectivity
DIMENSIONS: mm		CHK MIKE CHEN 08APR2020	
		APVD HOPE LU 08APR2020	
TOLERANCES UNLESS OTHERWISE SPECIFIED:		PRODUCT SPEC 108-160247	
MATERIAL		APPLICATION SPEC	NAME PCI EXPRESS CARD EDGE CONNECTOR GEN5, STD, ONE SIDE OPEN
		WEIGHT	SIZE CAGE CODE DRAWING NO RESTRICTED TO
		CUSTOMER DRAWING	A200779 C-2371899
		SCALE 6:1	SHEET 2 OF 6 REV B

THIS DRAWING IS UNPUBLISHED. RELEASED FOR PUBLICATION 20
 © COPYRIGHT 20 BY - ALL RIGHTS RESERVED.

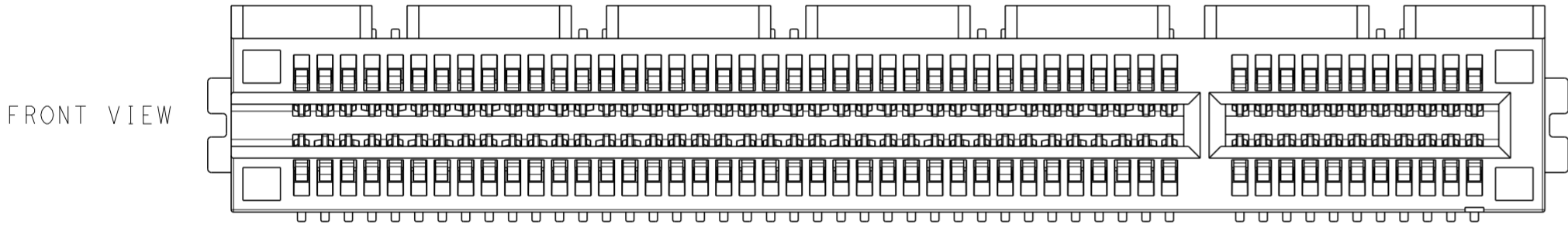
REVISIONS				
P	LTR	DESCRIPTION	DATE	APVD
-	-	SEE SHEET 1	-	-



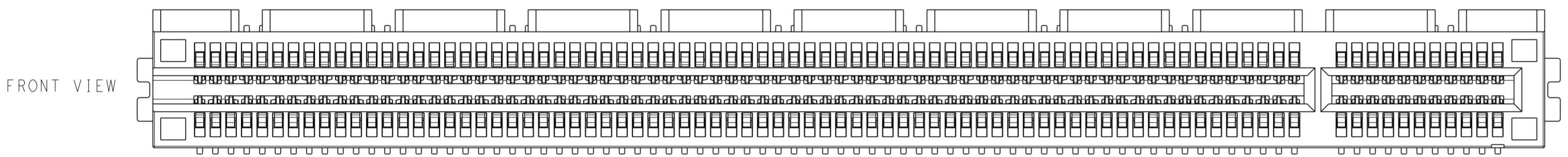
36POS AS SHOWN
SCALE 4:1



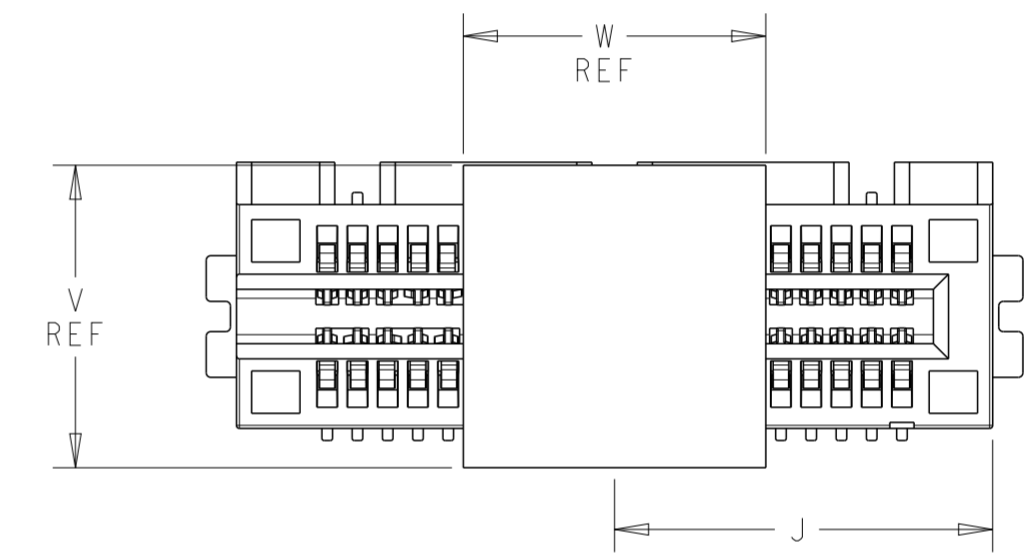
64POS AS SHOWN
SCALE 4:1




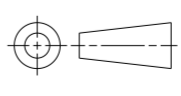
98POS AS SHOWN
SCALE 4:1



164POS AS SHOWN
SCALE 4:1

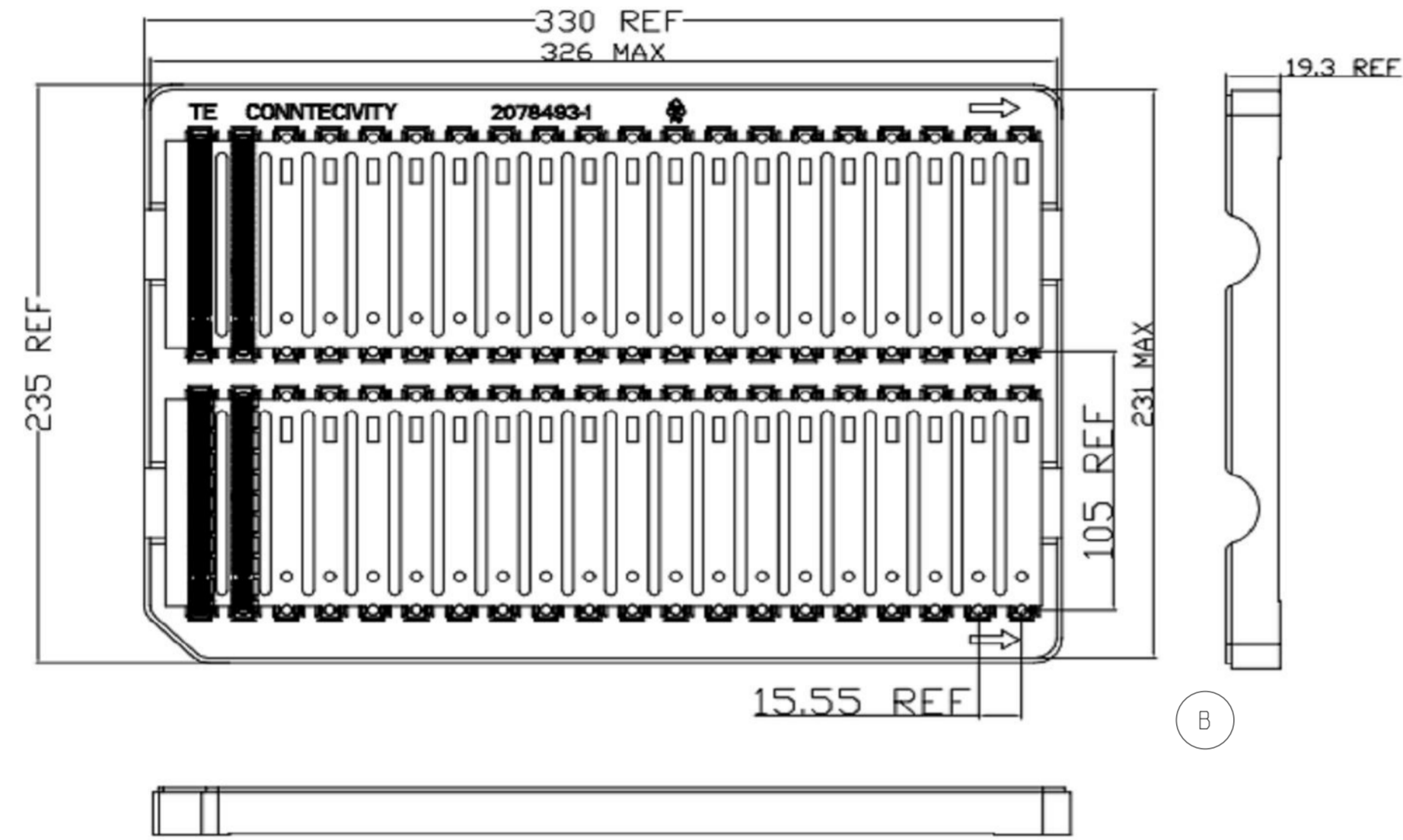


MYLAR SIZE
SCALE 4:1

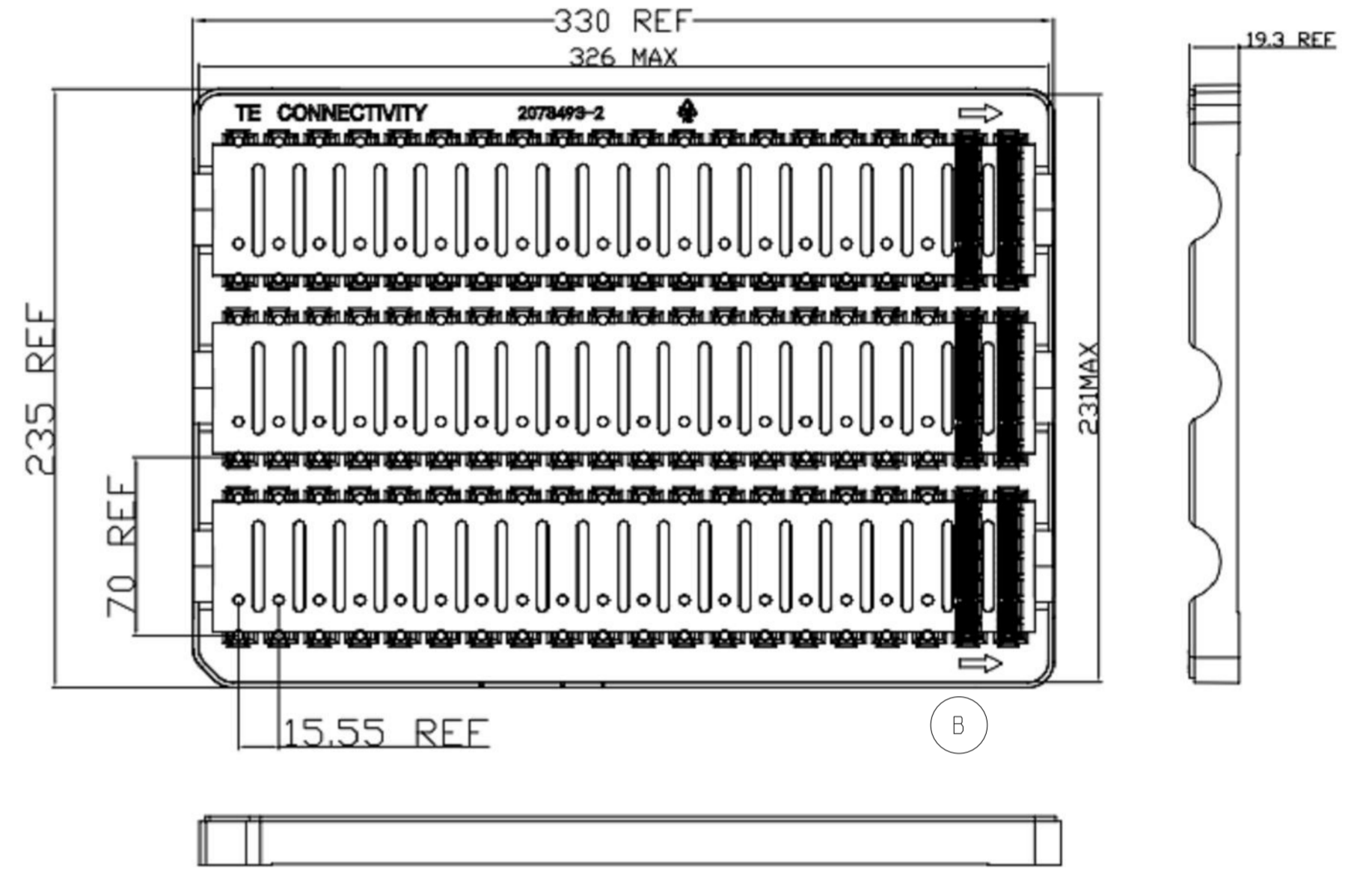
THIS DRAWING IS A CONTROLLED DOCUMENT.		DWN 08APR2020 SANDERS, YAN	 TE Connectivity		
DIMENSIONS: mm		CHK 08APR2020 MIKE, CHEN			
		APVD 08APR2020 HOPE, LU	NAME PCI EXPRESS CARD EDGE CONNECTOR GEN5, STD, ONE SIDE OPEN		
TOLERANCES UNLESS OTHERWISE SPECIFIED:		PRODUCT SPEC 108-160247	SIZE A200779	CAGE CODE C-2371899	DRAWING NO RESTRICTED TO
MATERIAL		APPLICATION SPEC	SCALE 6:1		SHEET 4 OF 6
WEIGHT		CUSTOMER DRAWING	REV B		

THIS DRAWING IS UNPUBLISHED. RELEASED FOR PUBLICATION 20
 © COPYRIGHT 20 BY - ALL RIGHTS RESERVED.

REVISIONS					
P	LTR	DESCRIPTION	DATE	DWN	APVD
-	-	SEE SHEET 1	-	-	-



HARD TRAY: FOR 164POS
SCALE 1:2

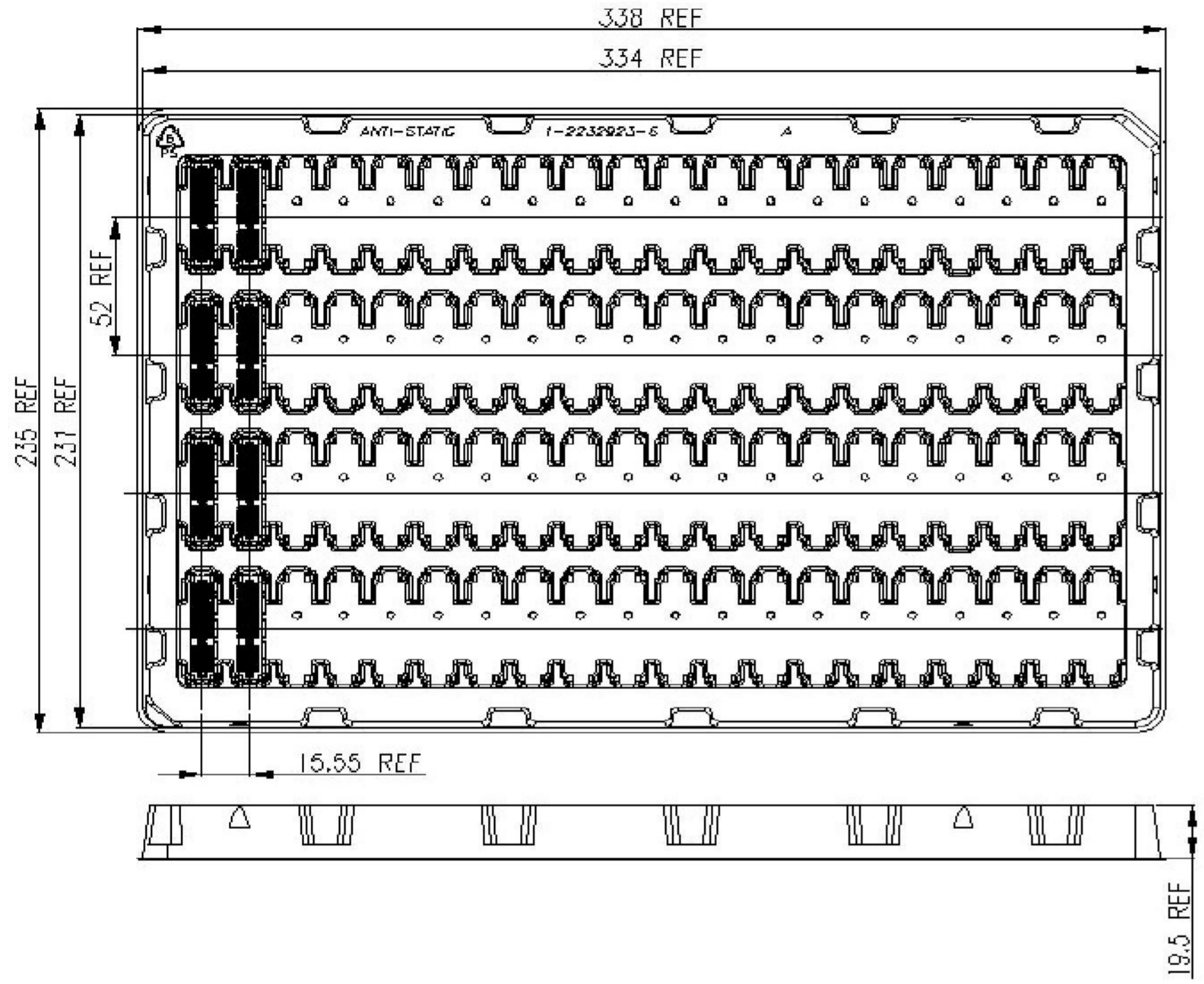


HARD TRAY: FOR 98POS
SCALE 1:2

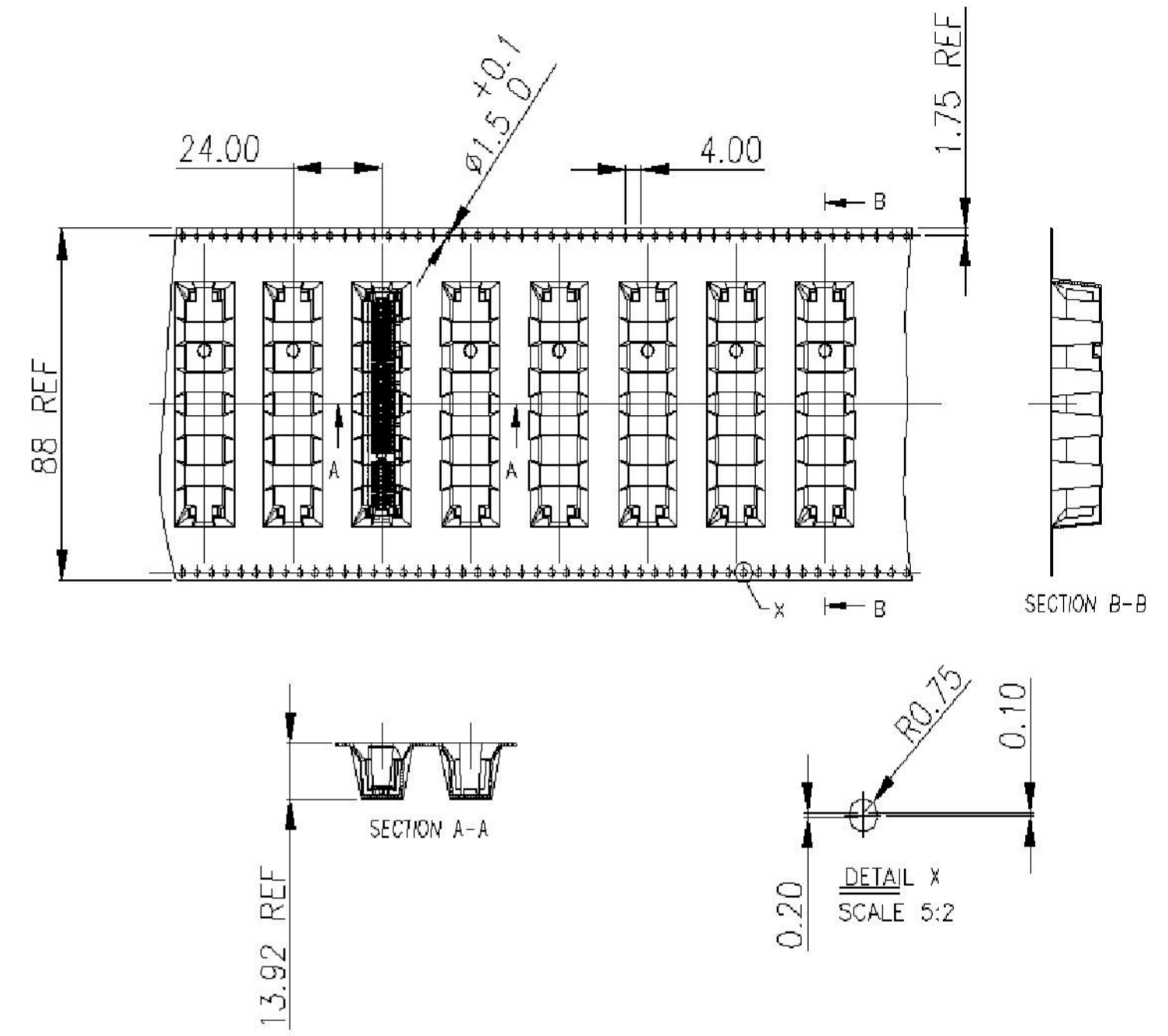
THIS DRAWING IS A CONTROLLED DOCUMENT.		DWN 08APR2020 SANDERS, YAN	STE TE Connectivity	
		CHK 08APR2020 MIKE, CHEN		
DIMENSIONS: mm		APVD 08APR2020 HOPE, LU	NAME PCI EXPRESS CARD EDGE CONNECTOR GEN5, STD, ONE SIDE OPEN	
TOLERANCES UNLESS OTHERWISE SPECIFIED: 0 PLC ± 1 PLC ±0.3 2 PLC ±0.20 3 PLC ±0.050 4 PLC ± ANGLES ± FINISH		PRODUCT SPEC 108-160247	SIZE A200779	DRAWING NO C-2371899
MATERIAL -		WEIGHT -	RESTRICTED TO -	SCALE 4:1 SHEET 5 OF 6 REV B
		CUSTOMER DRAWING		

THIS DRAWING IS UNPUBLISHED. RELEASED FOR PUBLICATION 20
 © COPYRIGHT 20 BY - ALL RIGHTS RESERVED.

REVISIONS				
P	LTR	DESCRIPTION	DATE	APVD
-	-	SEE SHEET 1	-	-



SOFT TRAY: FOR 64POS
 SCALE 1:2



TAPE & REEL: FOR 7-2371899-7 (98POS)
 SCALE 1:2

THIS DRAWING IS A CONTROLLED DOCUMENT.		DWN SANDERS, YAN 08APR2020	TE Connectivity	
DIMENSIONS: mm		CHK MIKE, CHEN 08APR2020		
TOLERANCES UNLESS OTHERWISE SPECIFIED:		APVD HOPE, LU 08APR2020	NAME PCI EXPRESS CARD EDGE CONNECTOR GEN5, STD, ONE SIDE OPEN	
0 PLC ±	1 PLC ±0.3	PRODUCT SPEC 108-160247	SIZE A2	CAGE CODE 00779
2 PLC ±0.20	3 PLC ±0.050	APPLICATION SPEC -	DRAWING NO C-2371899	RESTRICTED TO -
4 PLC ±	ANGLES ±	WEIGHT -	SCALE 4:1	SHEET 6 OF 6
MATERIAL -	FINISH -	CUSTOMER DRAWING	REV B	

X-ON Electronics

Largest Supplier of Electrical and Electronic Components

Click to view similar products for [PCI Express/PCI Connectors](#) category:

Click to view products by [TE Connectivity](#) manufacturer:

Other Similar products are found below :

[PCIEEXT16HOT](#) [UEX220-6U](#) [10025026-10003PLF](#) [10125756-980000LF](#) [GPCP442628110HR](#) [GPCP245400111HR](#) [10082378-10000TLF](#)
[MDT580M03001](#) [MPE-D-52-R-SMT-9.2-TR](#) [2041216-1](#) [MDT580M01001](#) [10141523-111T0LF](#) [10146070-112Y0LF](#) [10150657-052R0LF](#)
[1759513-1](#) [10082378-10213TLF](#) [10123920-A20LF](#) [10124928-001LF](#) [10125101-A15RLF](#) [10125101-A30RLF](#) [10125756-642010LF](#)
[10125756-A42010LF](#) [1612257-7](#) [1-1612257-2](#) [10125756-A40010LF](#) [10151114-001TLF](#) [SM3ZS067U215AMR1500](#) [10146070-113X0LF](#)
[MDT320M01004](#) [MDT580M01003](#) [10146070-123X0LF](#) [MDT420STD001](#) [10146070-113B0LF](#) [10146069112X0LF](#) [1-1734774-2](#) [63010](#)
[74540-0201](#) [74540-0501](#) [7-1734774-7](#) [3-1761465-1](#) [10039755-10111TLF](#) [10039755-10112TLF](#) [10018783-10211TLF](#) [10018784-10212TLF](#)
[1761465-2](#) [87715-9202](#) [87715-9208](#) [1871058-1](#) [5-1761465-4](#) [10018783-10200MLF](#)