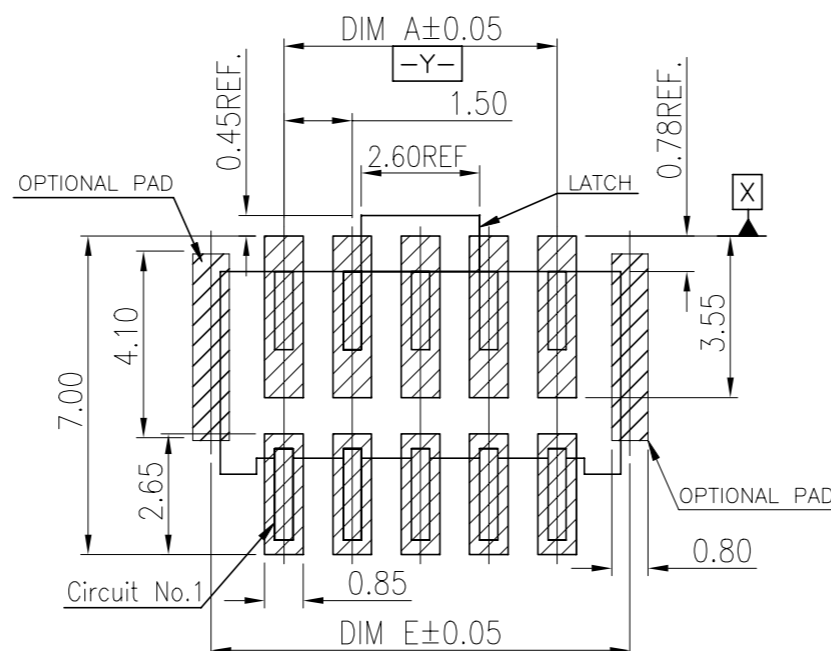
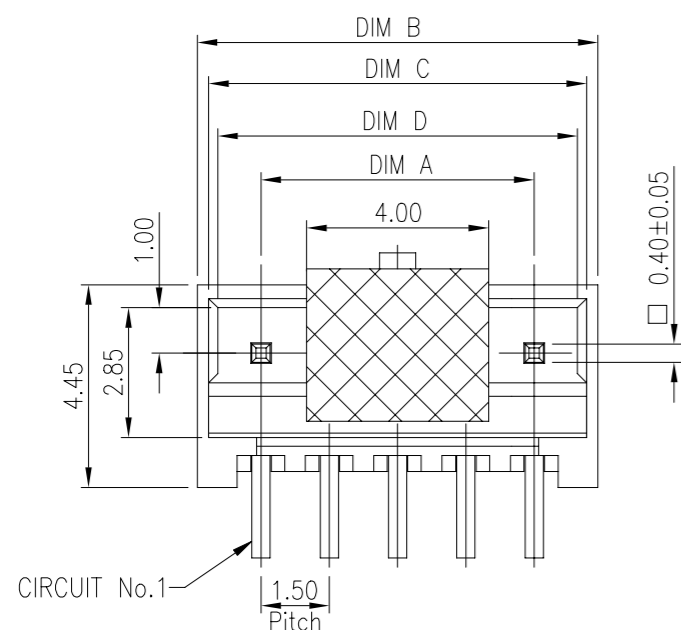


P	LTR	DESCRIPTION	DATE	DWN	APVD
A		ECR-21-108912	08MAY2021	T.Q	N.S

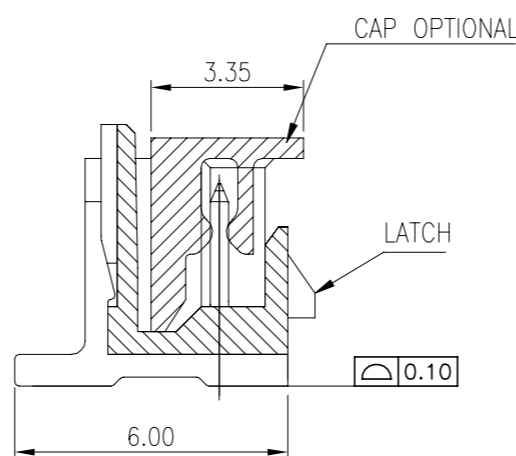
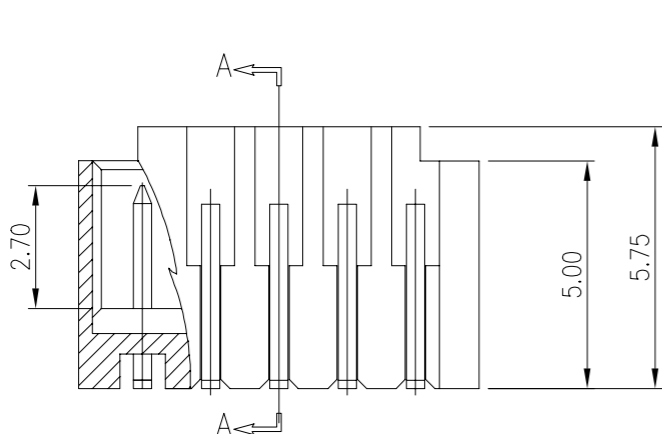


RECOMMENDED PCB LAYOUT FOR *-2380320-*

TOLERANCE ± 0.05

NOTES:

- MATERIAL:
 - HOUSING: HALOGEN FREE PLASTIC, UL94V-0.
 - CONTACT: COPPER ALLOY
- FINISH:
 - TYPE A: CONTACT: 50U" MIN. NICKEL UNDER PLATING OVERALL
100U" MIN. MATTE TIN PLATING ON CONTACT AREA AND SOLDER AREA.
 - TYPE B: CONTACT: 50U" MIN. NICKEL UNDER PLATING OVERALL
GOLD FLASH PLATING ON CONTACT AREA AND SOLDER AREA.
- REFLOW SOLDER CAPABLE TO 260°C, PER PRODUCTION SPEC.



SEC. A-A

BLACK	4.7	3.4	3.8	4.3	1.5	2	6-2380320-2	4-2380320-2
	6.2	4.9	5.3	5.8	3.0	3	6-2380320-3	4-2380320-3
	7.7	6.4	6.8	7.3	4.5	4	6-2380320-4	4-2380320-4
	9.2	7.9	8.3	8.8	6.0	5	6-2380320-5	4-2380320-5
	10.7	9.4	9.8	10.3	7.5	6	6-2380320-6	4-2380320-6
	12.2	10.9	11.3	11.8	9.0	7	6-2380320-7	4-2380320-7
	13.7	12.4	12.8	13.3	10.5	8	6-2380320-8	4-2380320-8
	15.2	13.9	14.3	14.8	12.0	9	6-2380320-9	4-2380320-9
	16.7	15.4	15.8	16.3	13.5	10	7-2380320-0	5-2380320-0
	18.2	16.9	17.3	17.8	15.0	11	7-2380320-1	5-2380320-1
	19.7	18.4	18.8	19.3	16.5	12	7-2380320-2	5-2380320-2
	21.2	19.9	20.3	20.8	18.0	13	7-2380320-3	5-2380320-3
	22.7	21.4	21.8	22.3	19.5	14	7-2380320-4	5-2380320-4
	24.2	22.9	23.3	23.8	21.0	15	7-2380320-5	5-2380320-5
	NATURAL	4.7	3.4	3.8	4.3	1.5	2	2-2380320-2
6.2		4.9	5.3	5.8	3.0	3	2-2380320-3	2380320-3
7.7		6.4	6.8	7.3	4.5	4	2-2380320-4	2380320-4
9.2		7.9	8.3	8.8	6.0	5	2-2380320-5	2380320-5
10.7		9.4	9.8	10.3	7.5	6	2-2380320-6	2380320-6
12.2		10.9	11.3	11.8	9.0	7	2-2380320-7	2380320-7
13.7		12.4	12.8	13.3	10.5	8	2-2380320-8	2380320-8
15.2		13.9	14.3	14.8	12.0	9	2-2380320-9	2380320-9
16.7		15.4	15.8	16.3	13.5	10	3-2380320-0	1-2380320-0
18.2		16.9	17.3	17.8	15.0	11	3-2380320-1	1-2380320-1
19.7		18.4	18.8	19.3	16.5	12	3-2380320-2	1-2380320-2
21.2		19.9	20.3	20.8	18.0	13	3-2380320-3	1-2380320-3
22.7		21.4	21.8	22.3	19.5	14	3-2380320-4	1-2380320-4
24.2		22.9	23.3	23.8	21.0	15	3-2380320-5	1-2380320-5
COLOR		DIM.E	DIM.D	DIM.C	DIM.B	DIM.A	POS.NO.	TYPE B
							PLATING SPEC.	
							P/N	

THIS DRAWING IS A CONTROLLED DOCUMENT.		DWN	Jone Ji	23SEP2020
DIMENSIONS:		CHK	Wenke He	-
mm		APVD	Wenke He	-
TOLERANCES UNLESS OTHERWISE SPECIFIED:		PRODUCT SPEC	-	-
0 PLC ± 0.5		APPLICATION SPEC	-	-
1 PLC ± 0.35		WEIGHT	-	-
2 PLC ± 0.25		CUSTOMER DRAWING	-	-
3 PLC ± 0.15		SCALE	N/A	SHEET
4 PLC ± -		RESTRICTED TO	-	REV
ANGLES ± 2'				A
MATERIAL				
FINISH				
SEE NOTE				



1.5P WTB VERTICAL TYPE WITH LATCH

SIZE	CAGE CODE	DRAWING NO	RESTRICTED TO
A3	00779	C=2380320	-
SCALE	SHEET	REV	
N/A	1 of 5	A	

4

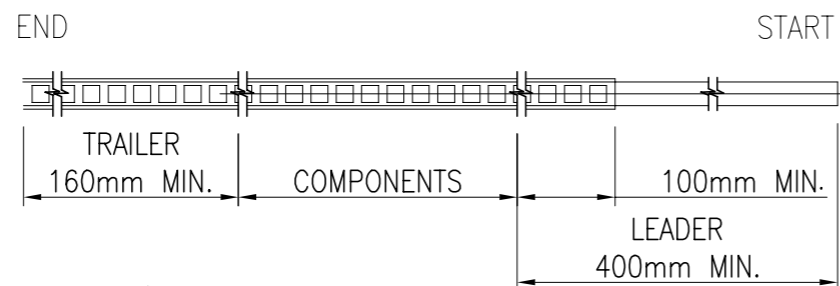
3

2

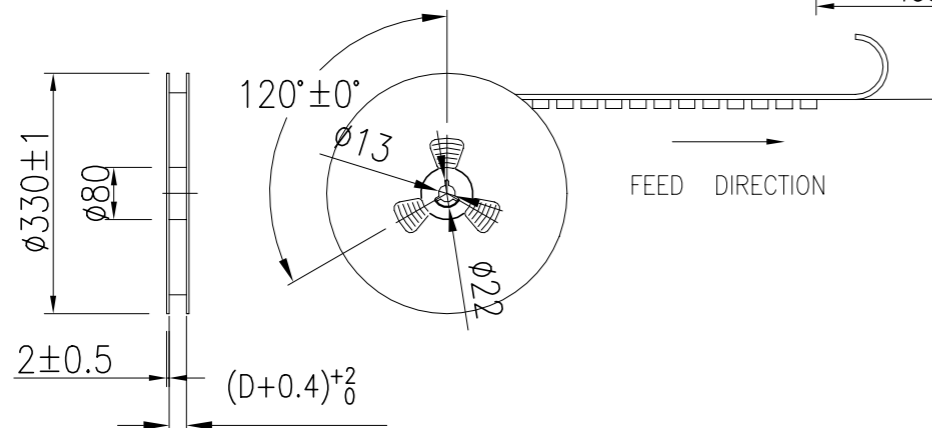
1

REVISIONS

P	LTR	DESCRIPTION	DATE	DWN	APVD
-	-	SEE SHEET 1	-	-	-

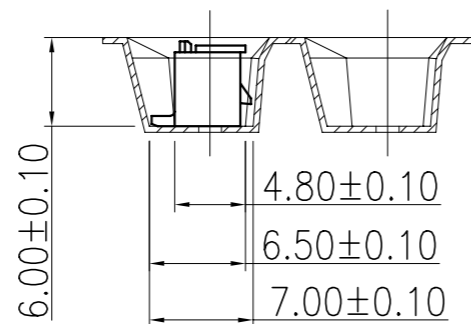
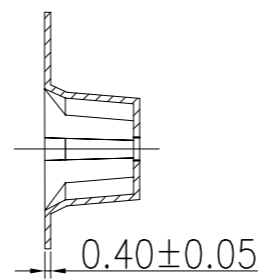
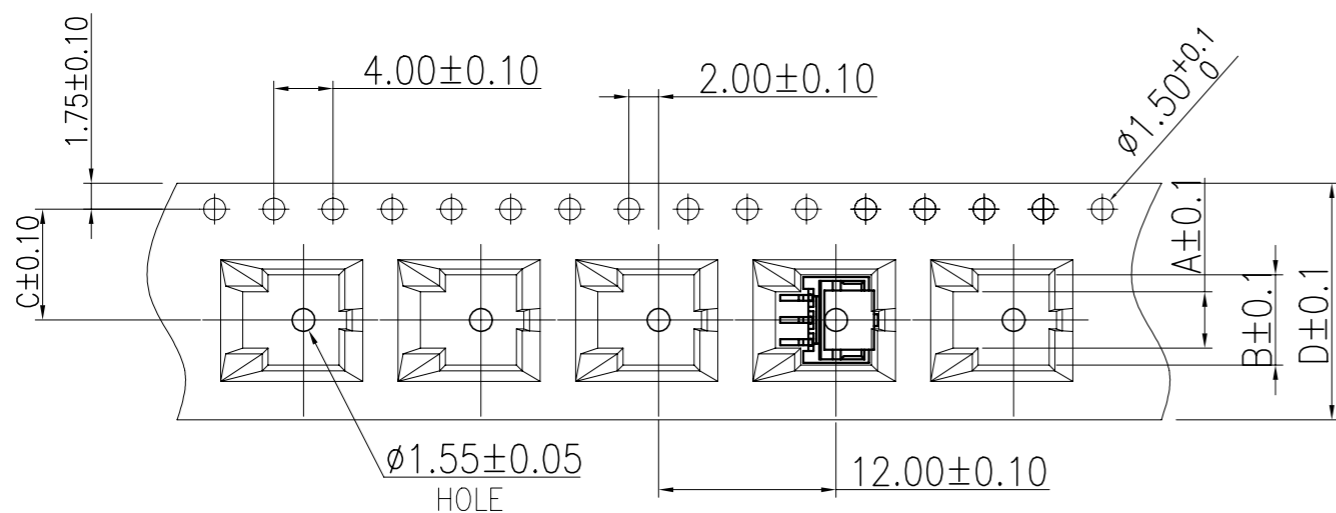


POS. NO	DIM A	DIM B	DIM C	DIM D
2	2.30	4.60	7.50	16.00
3	3.80	6.10		
4	5.30	7.60		



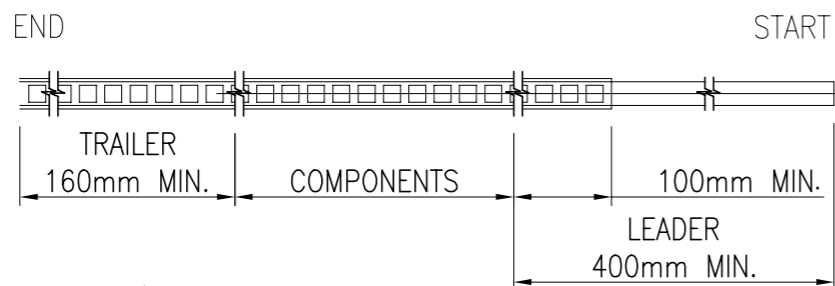
NOTES:

1. 10 SPROCKET HOLE PITCH CUMULATIVE TOLERANCE: ±0.20mm
2. CARRIER CAMBER NOT TO EXCEED 1mm IN 100mm.
3. ALL DIMENSIONS MEET EIA-481-C REQUIREMENTS.
4. MATERIAL: BLACK ANTI-STATIC POLYSTYRENE.
5. THICKNESS: 0.40±0.05 mm.
6. PACKING LENGTH PER 13" REEL : 12.4 METERS.
7. COMPONENT LOAD PER 13" REEL : 950 PCS.
8. PRODUCTS PLACEMENT MUST BE IN THE SAME DIRECTION.



THIS DRAWING IS A CONTROLLED DOCUMENT.		DWN	23SEP2020		STE TE Connectivity Ltd.											
		CHK	Jone Ji													
		APVD	Wenke He		NAME											
		PRODUCT SPEC	Wenke He													
		APPLICATION SPEC	-		1.5P WTB VERTICAL TYPE WITH LATCH											
		WEIGHT	-													
DIMENSIONS: mm		TOLERANCES UNLESS OTHERWISE SPECIFIED:		SIZE	RESTRICTED TO											
<table border="1"> <tr><td>0 PLC</td><td>± 0.5</td></tr> <tr><td>1 PLC</td><td>± 0.35</td></tr> <tr><td>2 PLC</td><td>± 0.25</td></tr> <tr><td>3 PLC</td><td>± 0.15</td></tr> <tr><td>4 PLC</td><td>± -</td></tr> <tr><td>ANGLES</td><td>± 2'</td></tr> </table>		0 PLC	± 0.5	1 PLC		± 0.35	2 PLC	± 0.25	3 PLC	± 0.15	4 PLC	± -	ANGLES	± 2'	SCALE	N/A
0 PLC	± 0.5															
1 PLC	± 0.35															
2 PLC	± 0.25															
3 PLC	± 0.15															
4 PLC	± -															
ANGLES	± 2'															
MATERIAL SEE NOTE		FINISH	-		SIZE											
				CAGE CODE	DRAWING NO											
				00779												
				C=2380320												
		CUSTOMER DRAWING		SHEET	2 of 5											
				REV	A											

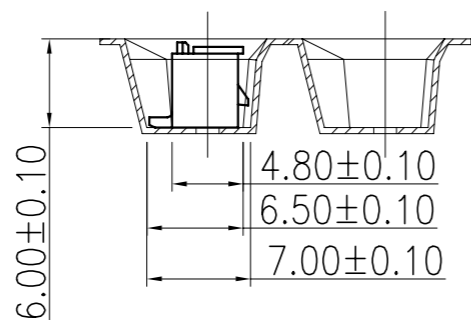
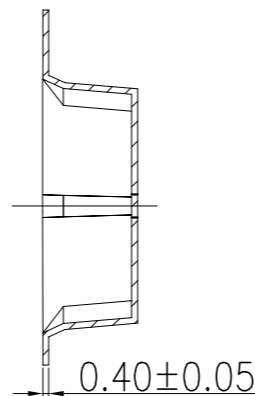
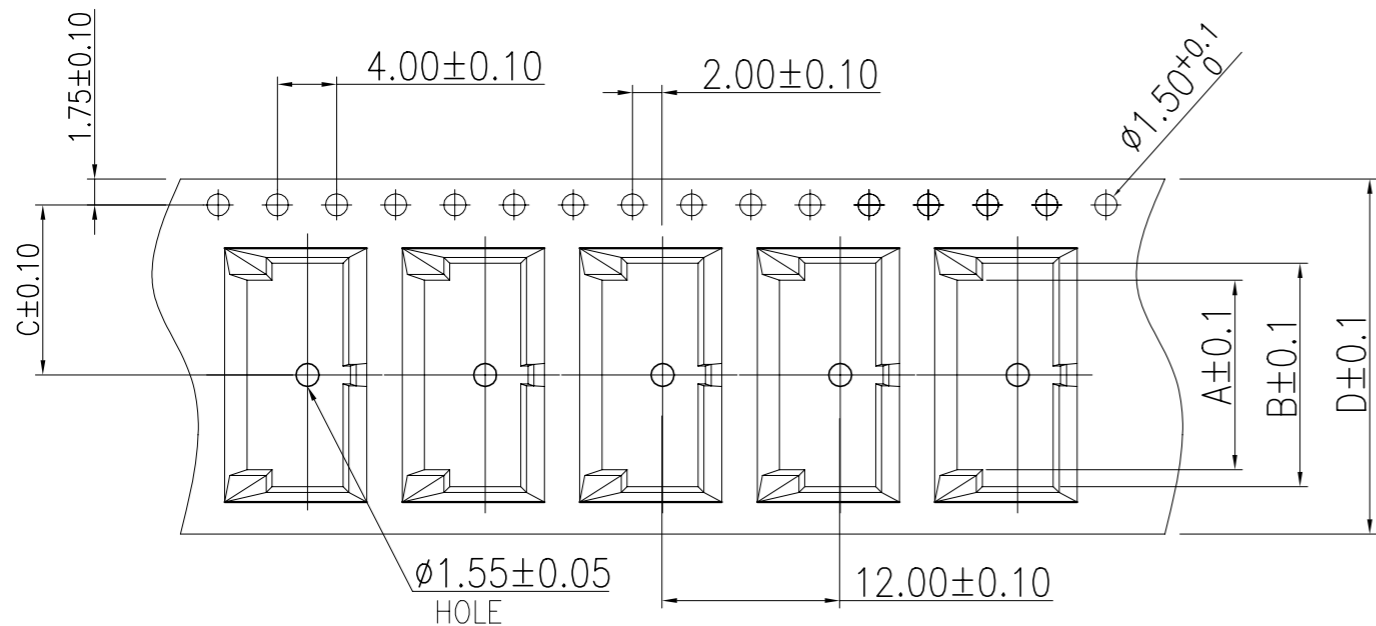
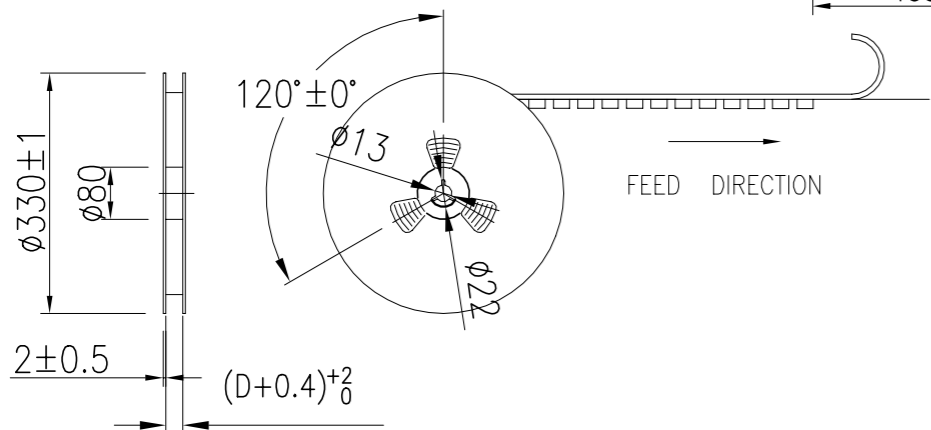
P	LTR	DESCRIPTION	DATE	DWN	APVD
-	-	SEE SHEET 1	-	-	-



POS. NO	DIM A	DIM B	DIM C	DIM D
5	6.80	9.10	11.5	24
6	8.30	10.60		
7	9.80	12.10		
8	11.30	13.60		
9	12.80	15.10		

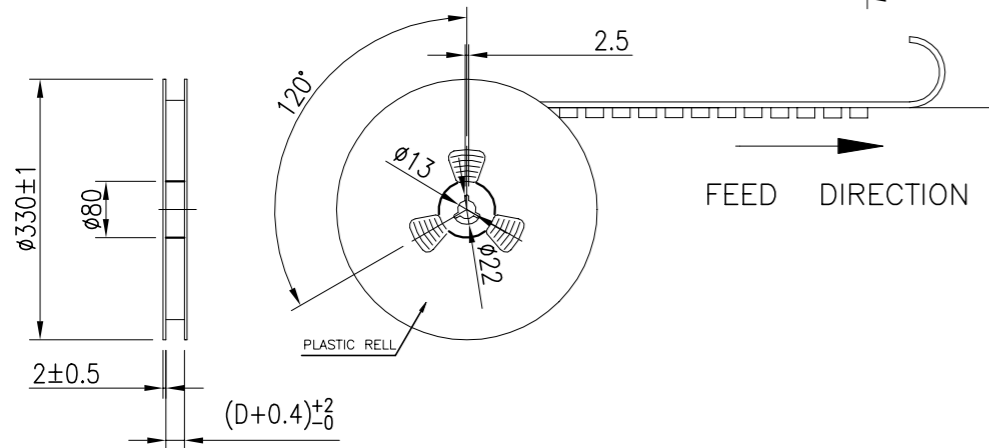
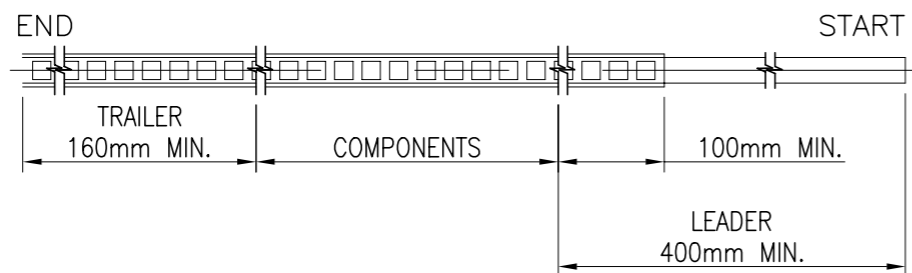
NOTES:

- 10 SPROCKET HOLE PITCH CUMULATIVE TOLERANCE: ±0.20mm
- CARRIER CAMBER NOT TO EXCEED 1mm IN 100mm.
- ALL DIMENSIONS MEET EIA-481-C REQUIREMENTS.
- MATERIAL: BLACK ANTI-STATIC POLYSTYRENE.
- THICKNESS: 0.40±0.05 mm.
- PACKING LENGTH PER 13" REEL : 12.4 METERS.
- COMPONENT LOAD PER 13" REEL : 950 PCS.
- PRODUCTS PLACEMENT MUST BE IN THE SAME DIRECTION.



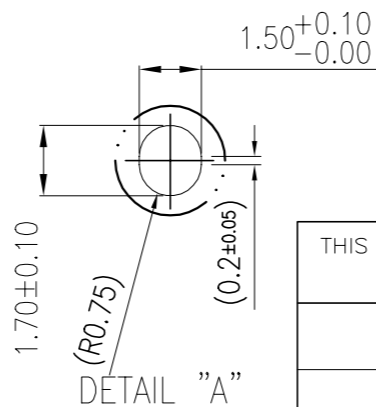
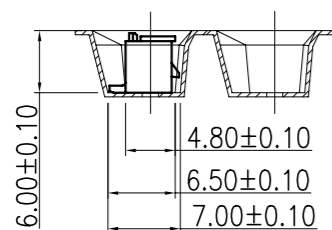
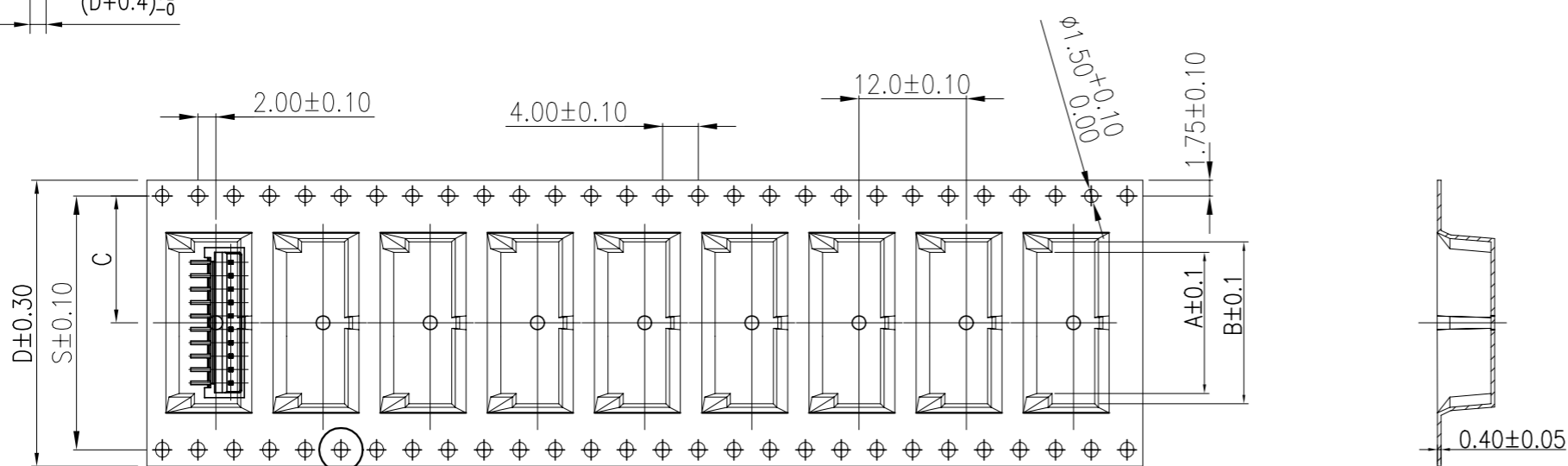
THIS DRAWING IS A CONTROLLED DOCUMENT.		DWN Jone Ji 23SEP2020	TE Connectivity Ltd.														
DIMENSIONS: mm		CHK Wenke He				NAME											
TOLERANCES UNLESS OTHERWISE SPECIFIED:		APVD Wenke He	1.5P WTB VERTICAL TYPE WITH LATCH														
<table border="0"> <tr><td>0 PLC</td><td>± 0.5</td></tr> <tr><td>1 PLC</td><td>± 0.35</td></tr> <tr><td>2 PLC</td><td>± 0.25</td></tr> <tr><td>3 PLC</td><td>± 0.15</td></tr> <tr><td>4 PLC</td><td>± -</td></tr> <tr><td>ANGLES</td><td>± 2'</td></tr> </table>		0 PLC	± 0.5	1 PLC	± 0.35	2 PLC	± 0.25	3 PLC	± 0.15	4 PLC	± -	ANGLES	± 2'	PRODUCT SPEC	-		
0 PLC	± 0.5																
1 PLC	± 0.35																
2 PLC	± 0.25																
3 PLC	± 0.15																
4 PLC	± -																
ANGLES	± 2'																
MATERIAL SEE NOTE		FINISH -	APPLICATION SPEC	-													
		WEIGHT	SIZE A3	CAGE CODE 00779	DRAWING NO C=2380320												
CUSTOMER DRAWING			RESTRICTED TO	-													
			SCALE N/A	SHEET 3 of 5	REV A												

P	LTR	DESCRIPTION	DATE	DWN	APVD
-	-	SEE SHEET 1	-	-	-



POS. NO	DIM A	DIM B	DIM C	DIM D	DIM S
10	14.3	16.6	14.2	32	28.4
11	15.8	18.1			
12	17.3	19.6			
13	18.8	21.1	20.2	44	40.4
14	20.3	22.6			
15	21.8	24.1			
16	23.3	25.6			
17	24.8	27.1			
18	26.3	28.6			
19	27.8	30.1			
20	29.3	31.6			

- NOTES:
- 10 SPROCKET HOLE PITCH CUMULATIVE TOLERANCE: $\pm 0.20\text{mm}$
 - CARRIER CAMBER NOT TO EXCEED 1mm IN 100mm.
 - ALL DIMENSIONS MEET EIA-481-C REQUIREMENTS.
 - MATERIAL: BLACK ANTI-STATIC POLYSTYRENE.
 - THICKNESS: $0.40 \pm 0.05\text{ mm}$.
 - PACKING LENGTH PER 13" REEL : 12.4 METERS.
 - COMPONENT LOAD PER 13" REEL : 950 PCS.
 - PRODUCTS PLACEMENT MUST BE IN THE SAME DIRECTION.

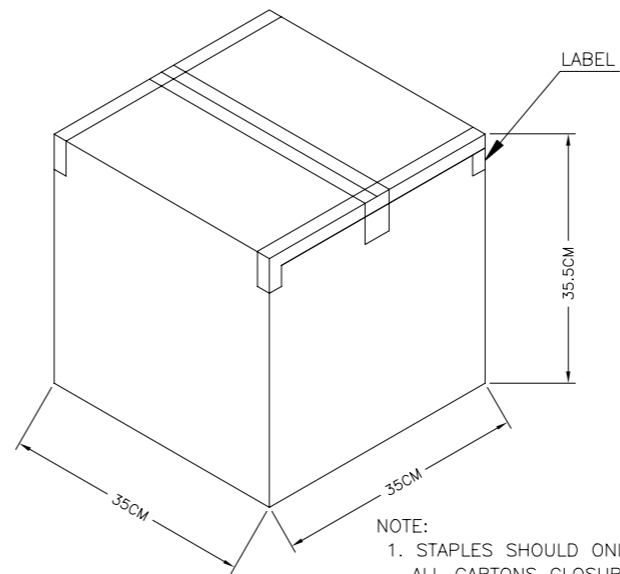
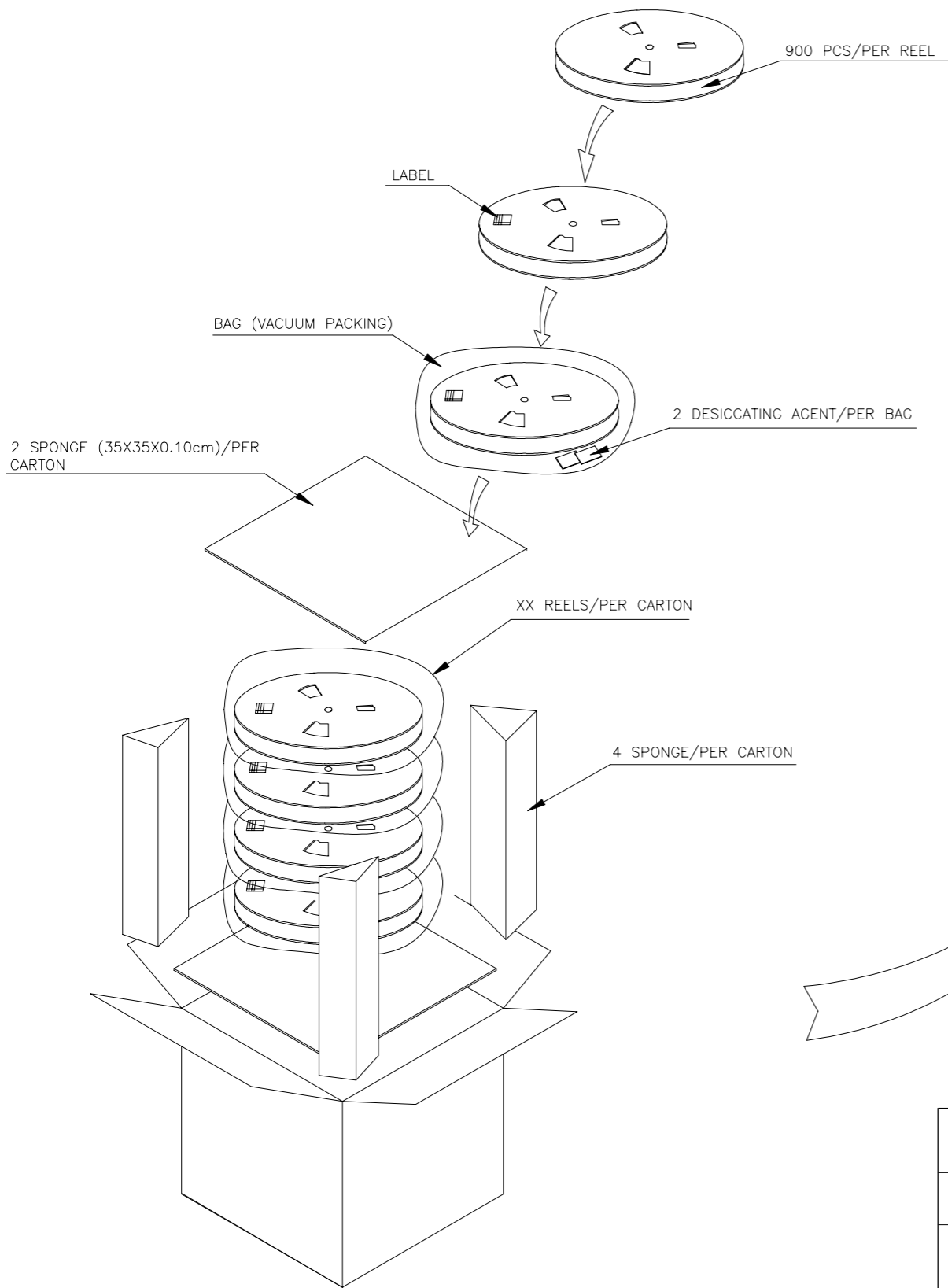


THIS DRAWING IS A CONTROLLED DOCUMENT.		DWN Jone Ji 23SEP2020	TE Connectivity Ltd.											
DIMENSIONS: mm		CHK Wenke He												
TOLERANCES UNLESS OTHERWISE SPECIFIED:		APVD Wenke He	NAME 1.5P WTB VERTICAL TYPE WITH LATCH											
<table border="1"> <tr><td>0 PLC</td><td>± 0.5</td></tr> <tr><td>1 PLC</td><td>± 0.35</td></tr> <tr><td>2 PLC</td><td>± 0.25</td></tr> <tr><td>3 PLC</td><td>± 0.15</td></tr> <tr><td>4 PLC</td><td>\pm</td></tr> <tr><td>ANGLES</td><td>$\pm 2'$</td></tr> </table>		0 PLC			± 0.5	1 PLC	± 0.35	2 PLC	± 0.25	3 PLC	± 0.15	4 PLC	\pm	ANGLES
0 PLC	± 0.5													
1 PLC	± 0.35													
2 PLC	± 0.25													
3 PLC	± 0.15													
4 PLC	\pm													
ANGLES	$\pm 2'$													
MATERIAL SEE NOTE		FINISH -	APPLICATION SPEC -											
		WEIGHT	SIZE A3	CAGE CODE 00779										
		CUSTOMER DRAWING	DRAWING NO C=2380320	RESTRICTED TO -										
		SCALE N/A	SHEET 4 of 5	REV A										

REVISIONS

P	LTR	DESCRIPTION	DATE	DWN	APVD
-	-	SEE SHEET 1	-	-	-

POS.NO.	PARTS PER PRIMARY CARTON	PARTS PER REEL	TOTAL REELS PER PRIMARY CARTON
2	15200(PCS)	950(PCS)	16
3	15200(PCS)	950(PCS)	16
4	15200(PCS)	950(PCS)	16
5	10450(PCS)	950(PCS)	11
6	10450(PCS)	950(PCS)	11
7	10450(PCS)	950(PCS)	11
8	10450(PCS)	950(PCS)	11
9	10450(PCS)	950(PCS)	11
10	8550(PCS)	950(PCS)	9
11	8550(PCS)	950(PCS)	9
12	8550(PCS)	950(PCS)	9
13	6650(PCS)	950(PCS)	7
14	6650(PCS)	950(PCS)	7
15	6650(PCS)	950(PCS)	7



NOTE:
 1. STAPLES SHOULD ONLY BE USED TO SET UP CARTON
 ALL CARTONS CLOSURES MUST BE DONE WITH TAPE.
 2. FILL PACKAGING REEL WITH THE QUANTITIES AS INDICATED IN THE CHART.

THIS DRAWING IS A CONTROLLED DOCUMENT.		DWN Jone Ji 23SEP2020	TE Connectivity Ltd.	
DIMENSIONS: mm		CHK Wenke He		
		APVD Wenke He	1.5P WTB VERTICAL TYPE WITH LATCH	
TOLERANCES UNLESS OTHERWISE SPECIFIED:		PRODUCT SPEC	-	
0 PLC ± 0.5 1 PLC ± 0.35 2 PLC ± 0.25 3 PLC ± 0.15 4 PLC ± - ANGLES ± 2'		APPLICATION SPEC	-	
MATERIAL SEE NOTE		FINISH -	WEIGHT -	RESTRICTED TO -
		SIZE A3 CAGE CODE 00779 DRAWING NO C=2380320		
		CUSTOMER DRAWING		SCALE N/A SHEET 5 of 5 REV A

X-ON Electronics

Largest Supplier of Electrical and Electronic Components

Click to view similar products for [Headers & Wire Housings](#) category:

Click to view products by [TE Connectivity](#) manufacturer:

Other Similar products are found below :

[892-18-020-10-001101](#) [58102-G61-06LF](#) [582553-1](#) [0009485154](#) [009176003701906](#) [0050291907](#) [LY20-4P-DT1-P1E-BR](#) [02.125.8002.8](#)
[609-3404](#) [61062-3](#) [61082-181009](#) [622-3653LF](#) [63453-116](#) [636-1030](#) [636-1427](#) [636-3427](#) [636-4007](#) [641938-9](#) [641991-4](#) [644827-2](#) [65817-](#)
[010LF](#) [65817-015LF](#) [65863-015LF](#) [66207-023LF](#) [67095-007LF](#) [67601157](#) [68645-018](#) [68648-049](#) [70.362.1628.0](#) [70-4210](#) [70-4226B](#) [70-](#)
[4853B](#) [707-5020](#) [707-5028](#) [71.350.2428.0](#) [71918-208LF](#) [71961-016LF](#) [733-134](#) [733-162](#) [754199-000](#) [760-3052](#) [787-8014-00](#) [79531-3000](#)
[FCN-360C032-B](#) [FCN-367T-T012/H](#) [FCN-723D010/2](#) [80.063.4001.1](#) [800-90-001-10-001000](#) [800-90-010-10-002000](#) [801-43-002-10-013000](#)