

4

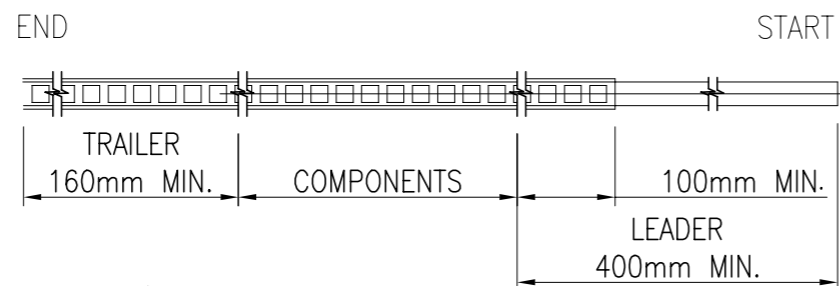
3

2

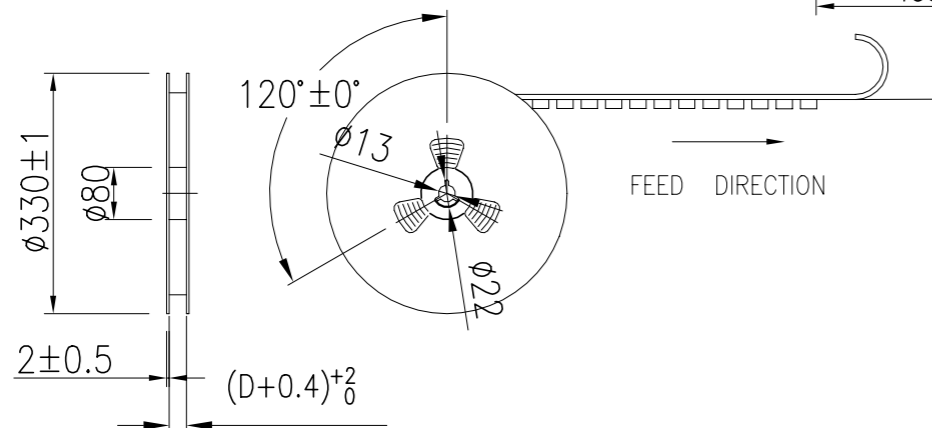
1

REVISIONS

P	LTR	DESCRIPTION	DATE	DWN	APVD
-	-	SEE SHEET 1	-	-	-

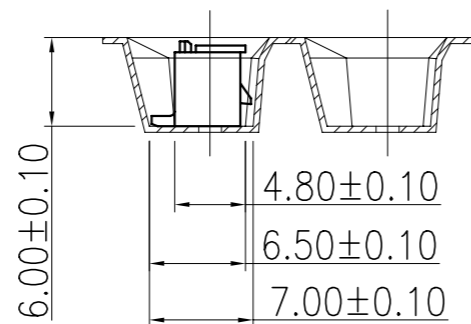
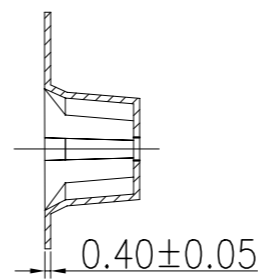
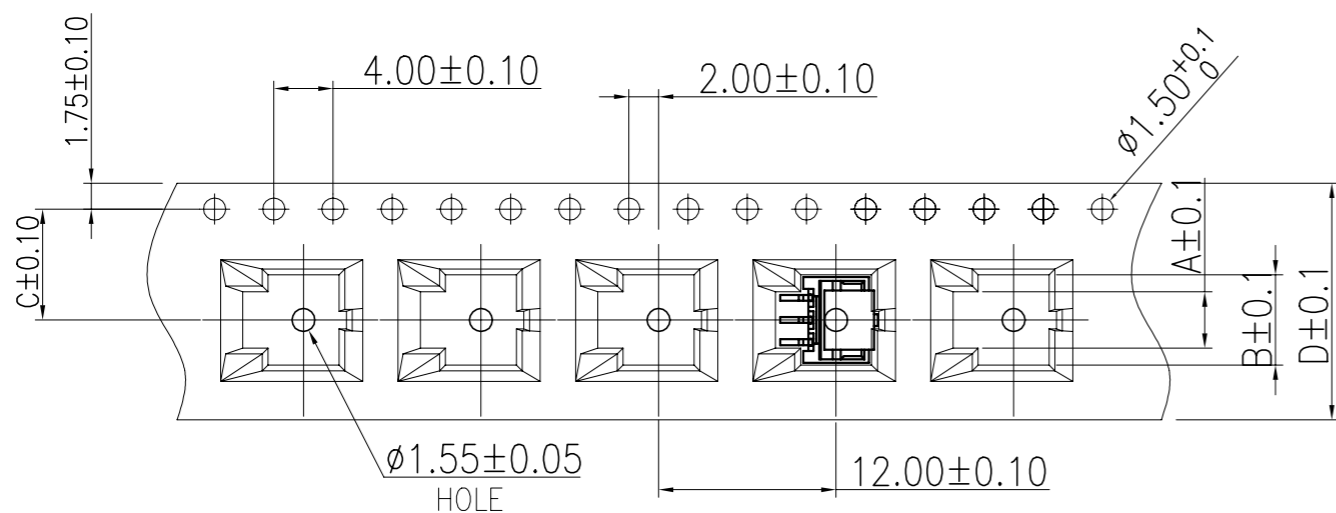


POS. NO	DIM A	DIM B	DIM C	DIM D
2	2.30	4.60	7.50	16.00
3	3.80	6.10		
4	5.30	7.60		



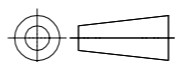
NOTES:

1. 10 SPROCKET HOLE PITCH CUMULATIVE TOLERANCE: ±0.20mm
2. CARRIER CAMBER NOT TO EXCEED 1mm IN 100mm.
3. ALL DIMENSIONS MEET EIA-481-C REQUIREMENTS.
4. MATERIAL: BLACK ANTI-STATIC POLYSTYRENE.
5. THICKNESS: 0.40±0.05 mm.
6. PACKING LENGTH PER 13" REEL : 12.4 METERS.
7. COMPONENT LOAD PER 13" REEL : 950 PCS.
8. PRODUCTS PLACEMENT MUST BE IN THE SAME DIRECTION.



THIS DRAWING IS A CONTROLLED DOCUMENT.

DIMENSIONS: mm



MATERIAL: SEE NOTE

TOLERANCES UNLESS OTHERWISE SPECIFIED:

0 PLC	± 0.5
1 PLC	± 0.35
2 PLC	± 0.25
3 PLC	± 0.15
4 PLC	± -
ANGLES	± 2'

FINISH: -

DWN: Jone Ji 23SEP2020

CHK: Wenke He

APVD: Wenke He

PRODUCT SPEC: -

APPLICATION SPEC: -

WEIGHT: -

CUSTOMER DRAWING

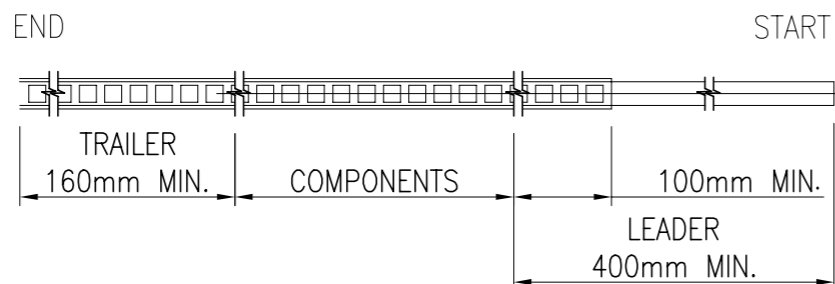


TE Connectivity Ltd.

1.5P WTB VERTICAL TYPE WITH LATCH

SIZE	CAGE CODE	DRAWING NO	RESTRICTED TO
A3	00779	C=2380320	-

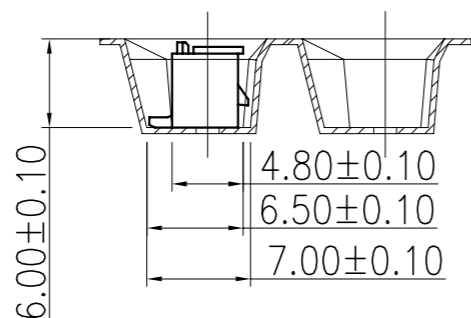
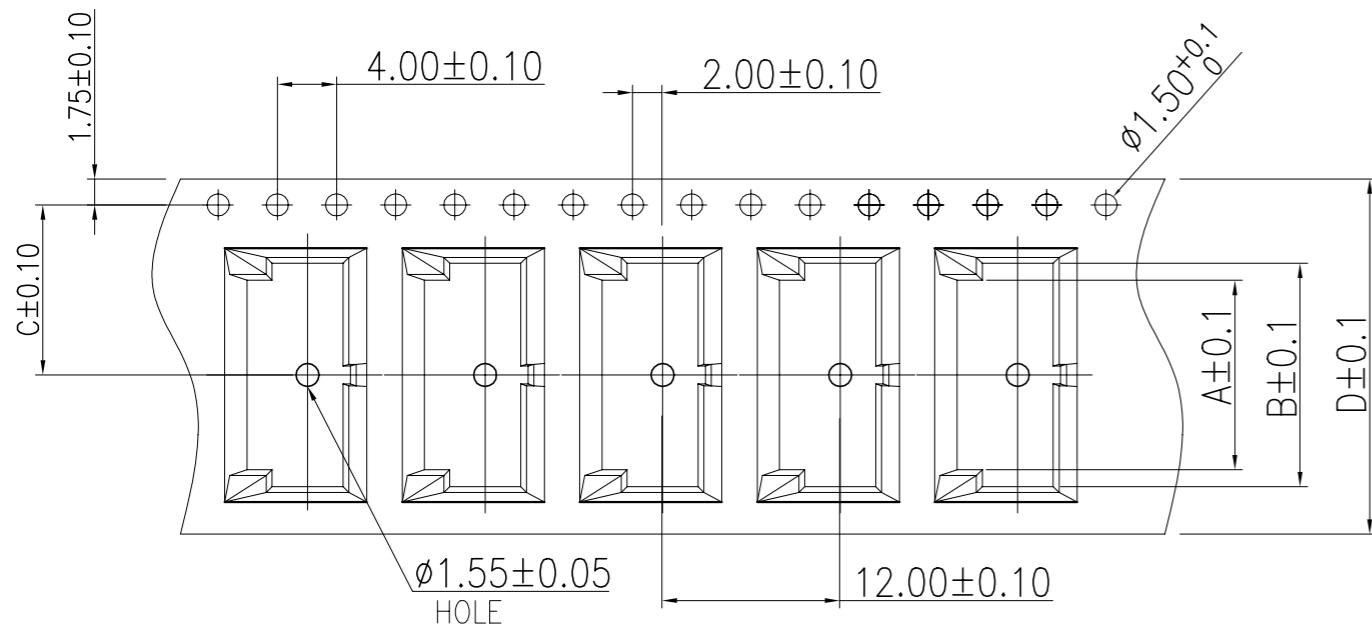
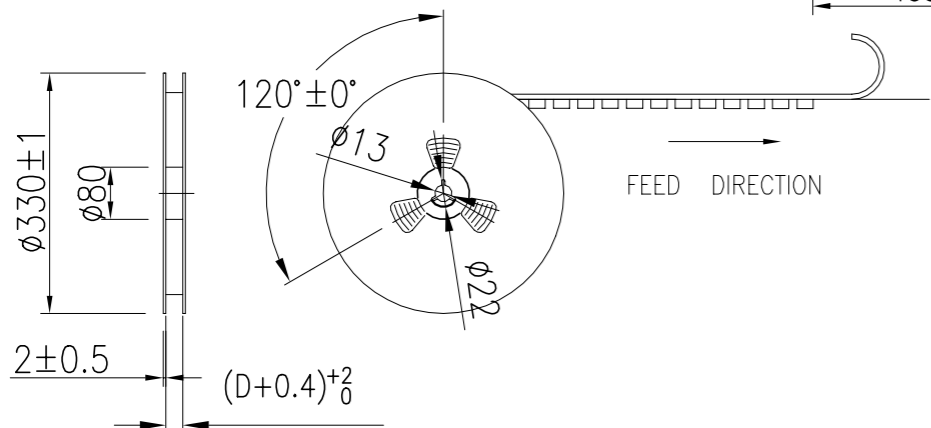
P	LTR	DESCRIPTION	DATE	DWN	APVD
-	-	SEE SHEET 1	-	-	-



POS. NO	DIM A	DIM B	DIM C	DIM D
5	6.80	9.10	11.5	24
6	8.30	10.60		
7	9.80	12.10		
8	11.30	13.60		
9	12.80	15.10		

NOTES:

- 10 SPROCKET HOLE PITCH CUMULATIVE TOLERANCE: ±0.20mm
- CARRIER CAMBER NOT TO EXCEED 1mm IN 100mm.
- ALL DIMENSIONS MEET EIA-481-C REQUIREMENTS.
- MATERIAL: BLACK ANTI-STATIC POLYSTYRENE.
- THICKNESS: 0.40±0.05 mm.
- PACKING LENGTH PER 13" REEL : 12.4 METERS.
- COMPONENT LOAD PER 13" REEL : 950 PCS.
- PRODUCTS PLACEMENT MUST BE IN THE SAME DIRECTION.



THIS DRAWING IS A CONTROLLED DOCUMENT.		DWN Jone Ji 23SEP2020	TE Connectivity Ltd.												
DIMENSIONS: mm		CHK Wenke He			NAME 1.5P WTB VERTICAL TYPE WITH LATCH										
TOLERANCES UNLESS OTHERWISE SPECIFIED:		APVD Wenke He	PRODUCT SPEC												
<table border="0"> <tr><td>0 PLC</td><td>± 0.5</td></tr> <tr><td>1 PLC</td><td>± 0.35</td></tr> <tr><td>2 PLC</td><td>± 0.25</td></tr> <tr><td>3 PLC</td><td>± 0.15</td></tr> <tr><td>4 PLC</td><td>± -</td></tr> <tr><td>ANGLES</td><td>± 2'</td></tr> </table>		0 PLC	± 0.5	1 PLC	± 0.35	2 PLC	± 0.25	3 PLC	± 0.15	4 PLC	± -	ANGLES	± 2'	APPLICATION SPEC	RESTRICTED TO
0 PLC	± 0.5														
1 PLC	± 0.35														
2 PLC	± 0.25														
3 PLC	± 0.15														
4 PLC	± -														
ANGLES	± 2'														
MATERIAL SEE NOTE	FINISH -	WEIGHT	SIZE A3	CAGE CODE 00779	DRAWING NO C=2380320	RESTRICTED TO -									
CUSTOMER DRAWING			SCALE N/A	SHEET 3 of 5	REV A										

4

3

2

1

© - TE Connectivity. All Rights Reserved.

REVISIONS

P	LTR	DESCRIPTION	DATE	DWN	APVD
-	-	SEE SHEET 1	-	-	-

POS. NO	DIM A	DIM B	DIM C	DIM D	DIM S
10	14.3	16.6	14.2	32	28.4
11	15.8	18.1			
12	17.3	19.6			
13	18.8	21.1	20.2	44	40.4
14	20.3	22.6			
15	21.8	24.1			
16	23.3	25.6			
17	24.8	27.1			
18	26.3	28.6			
19	27.8	30.1			
20	29.3	31.6			

NOTES:

- 10 SPROCKET HOLE PITCH CUMULATIVE TOLERANCE: ±0.20mm
- CARRIER CAMBER NOT TO EXCEED 1mm IN 100mm.
- ALL DIMENSIONS MEET EIA-481-C REQUIREMENTS.
- MATERIAL: BLACK ANTI-STATIC POLYSTYRENE.
- THICKNESS: 0.40±0.05 mm.
- PACKING LENGTH PER 13" REEL : 12.4 METERS.
- COMPONENT LOAD PER 13" REEL : 950 PCS.
- PRODUCTS PLACEMENT MUST BE IN THE SAME DIRECTION.

THIS DRAWING IS A CONTROLLED DOCUMENT.

DWN Jone Ji 23SEP2020

CHK Wenke He

APVD Wenke He

PRODUCT SPEC

APPLICATION SPEC

WEIGHT

CUSTOMER DRAWING

SCALE N/A

SHEET 4 of 5

REV A

1.5P WTB VERTICAL TYPE
WITH LATCH

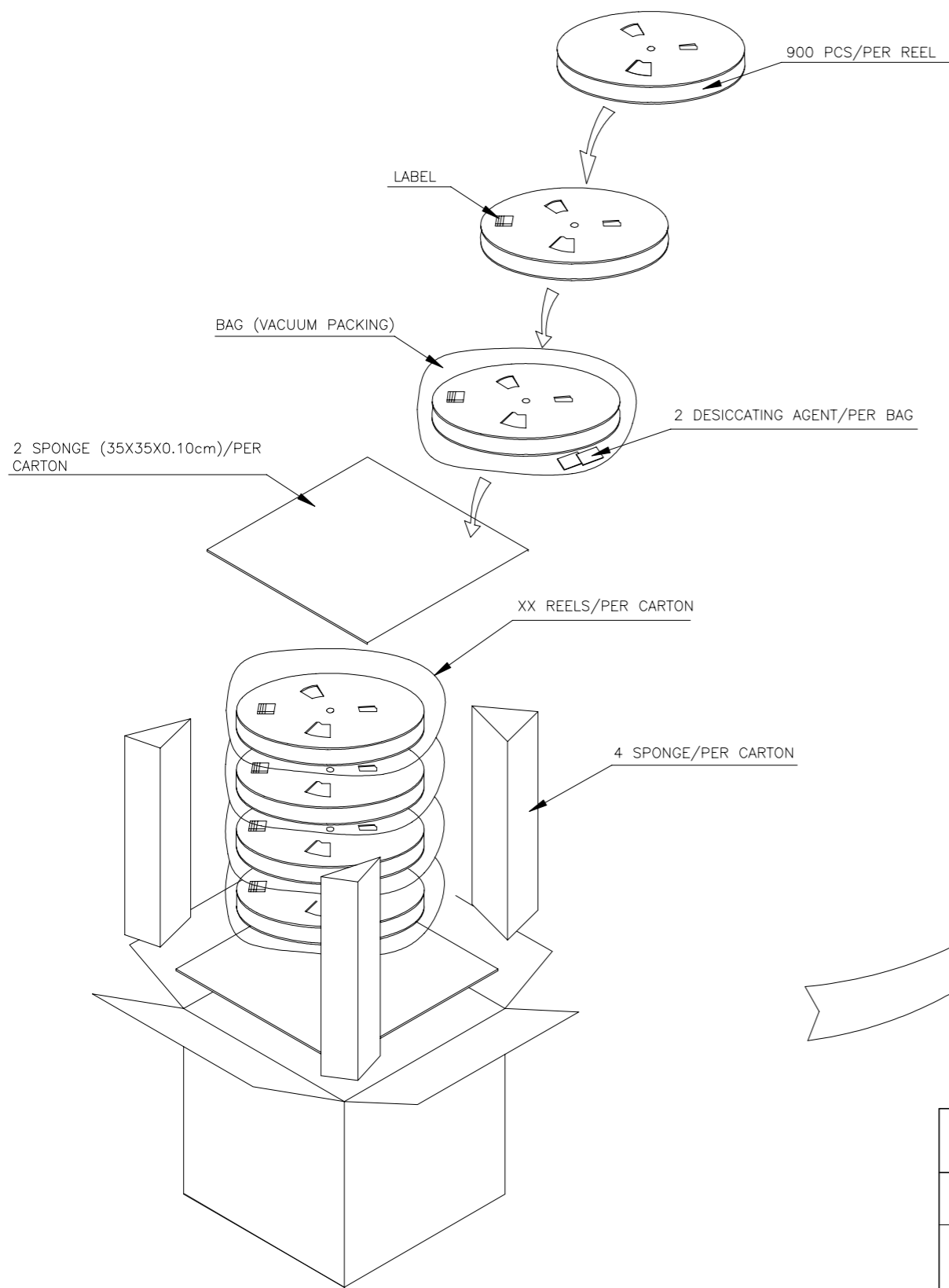
SIZE	CAGE CODE	DRAWING NO	RESTRICTED TO
A3	00779	C=2380320	-

1470-19 (1/15)

REVISIONS

P	LTR	DESCRIPTION	DATE	DWN	APVD
-	-	SEE SHEET 1	-	-	-

POS.NO.	PARTS PER PRIMARY CARTON	PARTS PER REEL	TOTAL REELS PER PRIMARY CARTON
2	15200(PCS)	950(PCS)	16
3	15200(PCS)	950(PCS)	16
4	15200(PCS)	950(PCS)	16
5	10450(PCS)	950(PCS)	11
6	10450(PCS)	950(PCS)	11
7	10450(PCS)	950(PCS)	11
8	10450(PCS)	950(PCS)	11
9	10450(PCS)	950(PCS)	11
10	8550(PCS)	950(PCS)	9
11	8550(PCS)	950(PCS)	9
12	8550(PCS)	950(PCS)	9
13	6650(PCS)	950(PCS)	7
14	6650(PCS)	950(PCS)	7
15	6650(PCS)	950(PCS)	7



NOTE:
 1. STAPLES SHOULD ONLY BE USED TO SET UP CARTON
 ALL CARTONS CLOSURES MUST BE DONE WITH TAPE.
 2. FILL PACKAGING REEL WITH THE QUANTITIES AS INDICATED
 IN THE CHART.

THIS DRAWING IS A CONTROLLED DOCUMENT.		DWN	23SEP2020		STE TE Connectivity Ltd.
		CHK	Jone Ji		
DIMENSIONS: mm		TOLERANCES UNLESS OTHERWISE SPECIFIED:		NAME	
		0 PLC ± 0.5		1.5P WTB VERTICAL TYPE	
		1 PLC ± 0.35		WITH LATCH	
		2 PLC ± 0.25		-	
		3 PLC ± 0.15		SIZE	
		4 PLC ± -		CAGE CODE	
		ANGLES ± 2'		DRAWING NO	
MATERIAL		FINISH		RESTRICTED TO	
SEE NOTE		-		-	
		WEIGHT		A3 00779 C=2380320	
		CUSTOMER DRAWING		SCALE N/A SHEET 5 of 5 REV A	

X-ON Electronics

Largest Supplier of Electrical and Electronic Components

Click to view similar products for [Headers & Wire Housings](#) category:

Click to view products by [TE Connectivity](#) manufacturer:

Other Similar products are found below :

[892-18-020-10-001101](#) [58102-G61-06LF](#) [582553-1](#) [0009485154](#) [009176003701906](#) [0050291907](#) [LY20-4P-DT1-P1E-BR](#) [02.125.8002.8](#)
[609-3404](#) [61062-3](#) [61082-181009](#) [622-3653LF](#) [63453-116](#) [636-1030](#) [636-1427](#) [636-3427](#) [636-4007](#) [641938-9](#) [641991-4](#) [644827-2](#) [65817-](#)
[010LF](#) [65817-015LF](#) [65863-015LF](#) [66207-023LF](#) [67095-007LF](#) [67601157](#) [68645-018](#) [68648-049](#) [70.362.1628.0](#) [70-4210](#) [70-4226B](#) [70-](#)
[4853B](#) [707-5020](#) [707-5028](#) [71.350.2428.0](#) [71918-208LF](#) [71961-016LF](#) [733-134](#) [733-162](#) [754199-000](#) [760-3052](#) [787-8014-00](#) [79531-3000](#)
[FCN-360C032-B](#) [FCN-367T-T012/H](#) [FCN-723D010/2](#) [80.063.4001.1](#) [800-90-001-10-001000](#) [800-90-010-10-002000](#) [801-43-002-10-013000](#)