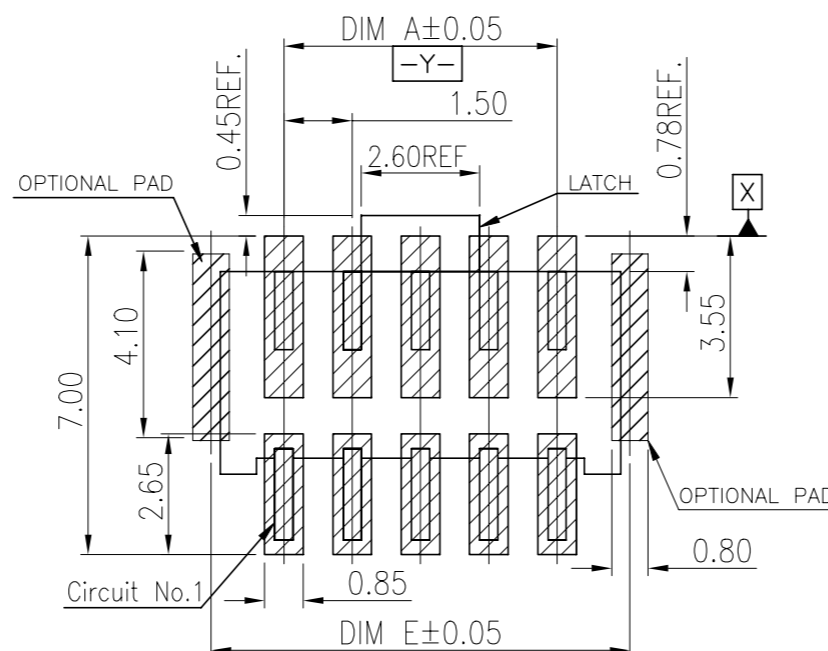
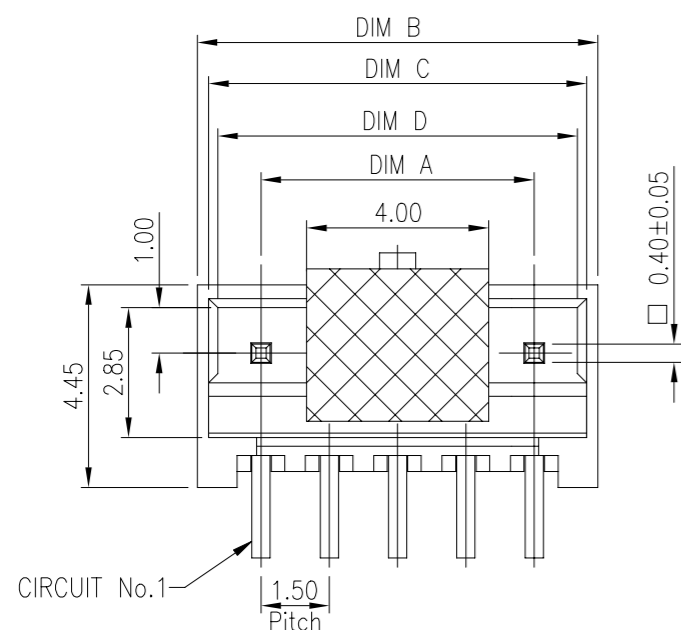


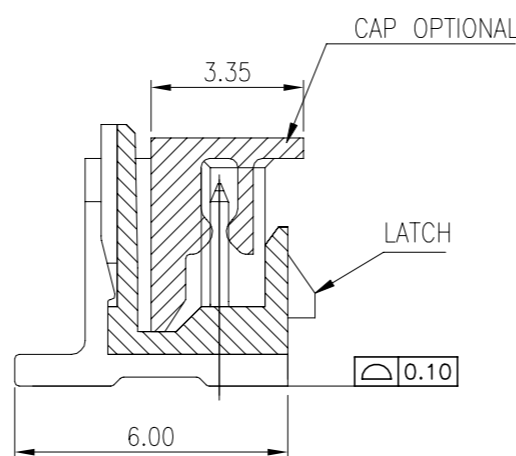
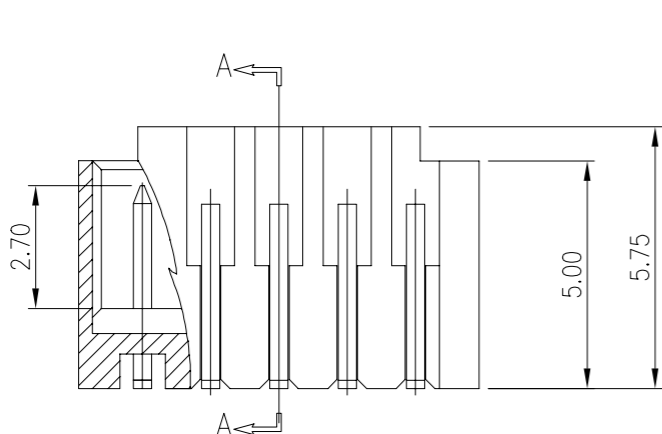
P	LTR	DESCRIPTION	DATE	DWN	APVD
A		ECR-21-108912	08MAY2021	T.Q	N.S



RECOMMENDED PCB LAYOUT FOR *-2380320-*
TOLERANCE ± 0.05

NOTES:

- MATERIAL:
 - HOUSING: HALOGEN FREE PLASTIC, UL94V-0.
 - CONTACT: COPPER ALLOY
- FINISH:
 - TYPE A: CONTACT: 50U" MIN. NICKEL UNDER PLATING OVERALL
100U" MIN. MATTE TIN PLATING ON CONTACT AREA AND SOLDER AREA.
 - TYPE B: CONTACT: 50U" MIN. NICKEL UNDER PLATING OVERALL
GOLD FLASH PLATING ON CONTACT AREA AND SOLDER AREA.
- REFLOW SOLDER CAPABLE TO 260°C, PER PRODUCTION SPEC.



SEC. A-A

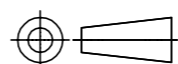
COLOR	DIM.E	DIM.D	DIM.C	DIM.B	DIM.A	POS.NO.	PLATING SPEC.	
							TYPE B	TYPE A
BLACK	4.7	3.4	3.8	4.3	1.5	2	6-2380320-2	4-2380320-2
	6.2	4.9	5.3	5.8	3.0	3	6-2380320-3	4-2380320-3
	7.7	6.4	6.8	7.3	4.5	4	6-2380320-4	4-2380320-4
	9.2	7.9	8.3	8.8	6.0	5	6-2380320-5	4-2380320-5
	10.7	9.4	9.8	10.3	7.5	6	6-2380320-6	4-2380320-6
	12.2	10.9	11.3	11.8	9.0	7	6-2380320-7	4-2380320-7
	13.7	12.4	12.8	13.3	10.5	8	6-2380320-8	4-2380320-8
	15.2	13.9	14.3	14.8	12.0	9	6-2380320-9	4-2380320-9
	16.7	15.4	15.8	16.3	13.5	10	7-2380320-0	5-2380320-0
	18.2	16.9	17.3	17.8	15.0	11	7-2380320-1	5-2380320-1
	19.7	18.4	18.8	19.3	16.5	12	7-2380320-2	5-2380320-2
	21.2	19.9	20.3	20.8	18.0	13	7-2380320-3	5-2380320-3
	22.7	21.4	21.8	22.3	19.5	14	7-2380320-4	5-2380320-4
	24.2	22.9	23.3	23.8	21.0	15	7-2380320-5	5-2380320-5
	NATURAL	4.7	3.4	3.8	4.3	1.5	2	2-2380320-2
6.2		4.9	5.3	5.8	3.0	3	2-2380320-3	2380320-3
7.7		6.4	6.8	7.3	4.5	4	2-2380320-4	2380320-4
9.2		7.9	8.3	8.8	6.0	5	2-2380320-5	2380320-5
10.7		9.4	9.8	10.3	7.5	6	2-2380320-6	2380320-6
12.2		10.9	11.3	11.8	9.0	7	2-2380320-7	2380320-7
13.7		12.4	12.8	13.3	10.5	8	2-2380320-8	2380320-8
15.2		13.9	14.3	14.8	12.0	9	2-2380320-9	2380320-9
16.7		15.4	15.8	16.3	13.5	10	3-2380320-0	1-2380320-0
18.2		16.9	17.3	17.8	15.0	11	3-2380320-1	1-2380320-1
19.7		18.4	18.8	19.3	16.5	12	3-2380320-2	1-2380320-2
21.2		19.9	20.3	20.8	18.0	13	3-2380320-3	1-2380320-3
22.7		21.4	21.8	22.3	19.5	14	3-2380320-4	1-2380320-4
24.2		22.9	23.3	23.8	21.0	15	3-2380320-5	1-2380320-5

THIS DRAWING IS A CONTROLLED DOCUMENT.

DWN Jone Ji 23SEP2020

DIMENSIONS: mm

TOLERANCES UNLESS OTHERWISE SPECIFIED:



0 PLC	± 0.5
1 PLC	± 0.35
2 PLC	± 0.25
3 PLC	± 0.15
4 PLC	± -
ANGLES	± 2'

MATERIAL SEE NOTE

FINISH -

CHK Wenke He

APVD Wenke He

PRODUCT SPEC

APPLICATION SPEC

WEIGHT

CUSTOMER DRAWING

STE TE Connectivity Ltd.

1.5P WTB VERTICAL TYPE WITH LATCH

SIZE	CAGE CODE	DRAWING NO	RESTRICTED TO
A3	00779	C=2380320	-

SCALE N/A SHEET 1 of 5 REV A

4

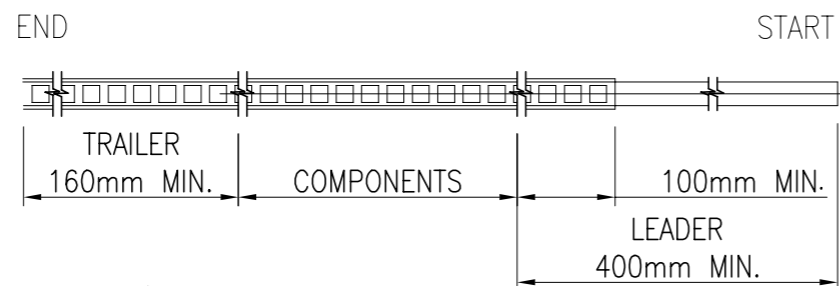
3

2

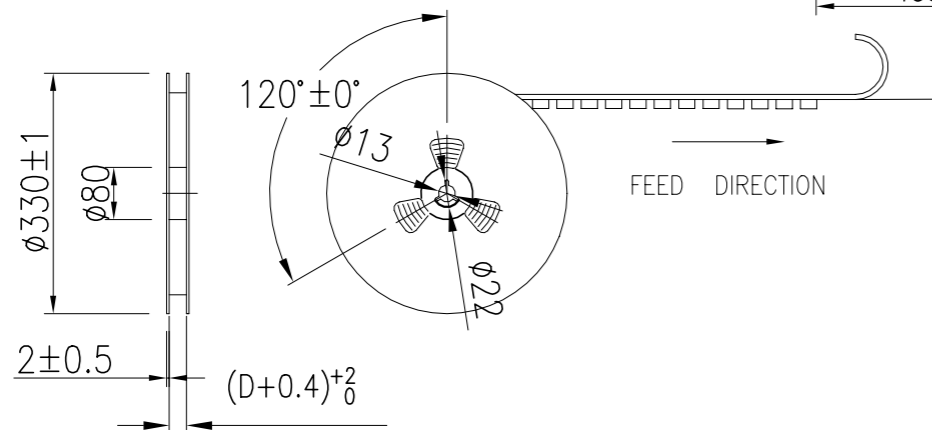
1

REVISIONS

P	LTR	DESCRIPTION	DATE	DWN	APVD
-	-	SEE SHEET 1	-	-	-

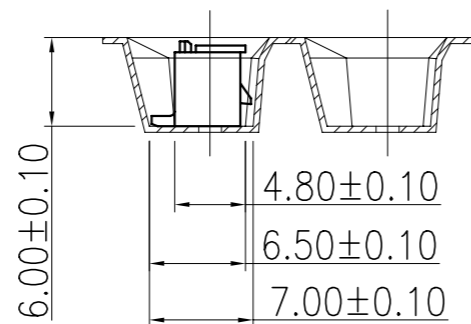
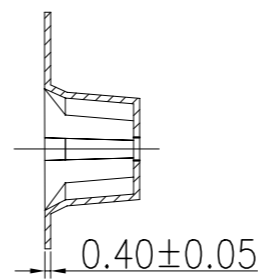
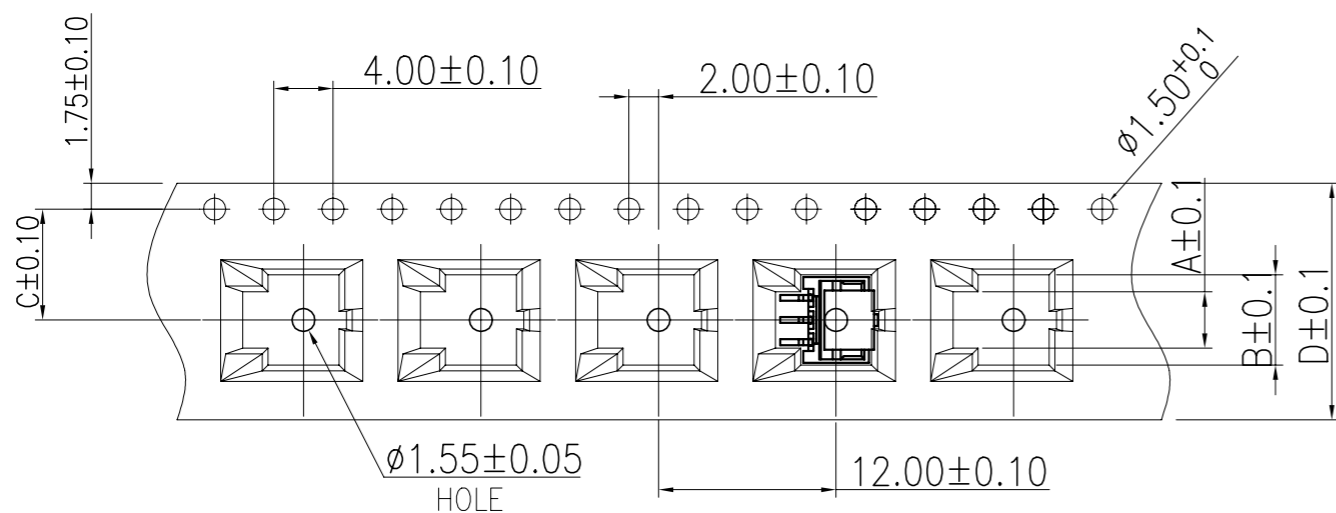


POS. NO	DIM A	DIM B	DIM C	DIM D
2	2.30	4.60	7.50	16.00
3	3.80	6.10		
4	5.30	7.60		



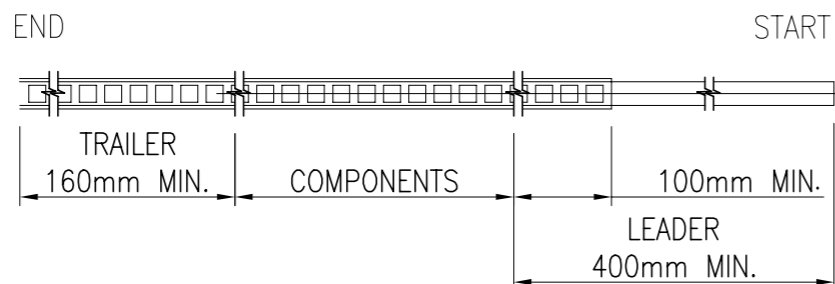
NOTES:

1. 10 SPROCKET HOLE PITCH CUMULATIVE TOLERANCE: ±0.20mm
2. CARRIER CAMBER NOT TO EXCEED 1mm IN 100mm.
3. ALL DIMENSIONS MEET EIA-481-C REQUIREMENTS.
4. MATERIAL: BLACK ANTI-STATIC POLYSTYRENE.
5. THICKNESS: 0.40±0.05 mm.
6. PACKING LENGTH PER 13" REEL : 12.4 METERS.
7. COMPONENT LOAD PER 13" REEL : 950 PCS.
8. PRODUCTS PLACEMENT MUST BE IN THE SAME DIRECTION.



THIS DRAWING IS A CONTROLLED DOCUMENT.		DWN	Jone Ji	23SEP2020	STE TE Connectivity Ltd.	
DIMENSIONS: mm		CHK	Wenke He	-		
TOLERANCES UNLESS OTHERWISE SPECIFIED:		APVD	Wenke He	-	NAME	
0 PLC ± 0.5		PRODUCT SPEC		1.5P WTB VERTICAL TYPE WITH LATCH		
1 PLC ± 0.35		APPLICATION SPEC		-		
2 PLC ± 0.25		SIZE	A3	CAGE CODE	00779	DRAWING NO
3 PLC ± 0.15		WEIGHT	-	C=2380320		RESTRICTED TO
4 PLC ± -		CUSTOMER DRAWING				SCALE
ANGLES ± 2'		SHEET				2 of 5
FINISH		REV				A
SEE NOTE						

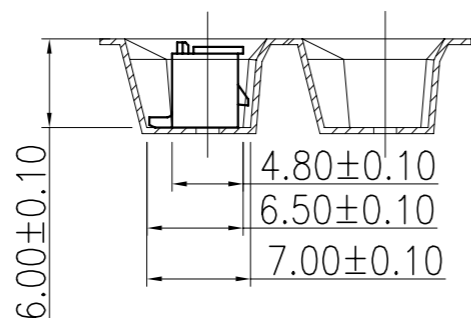
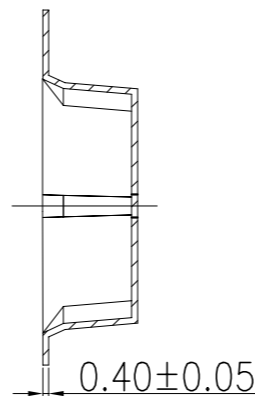
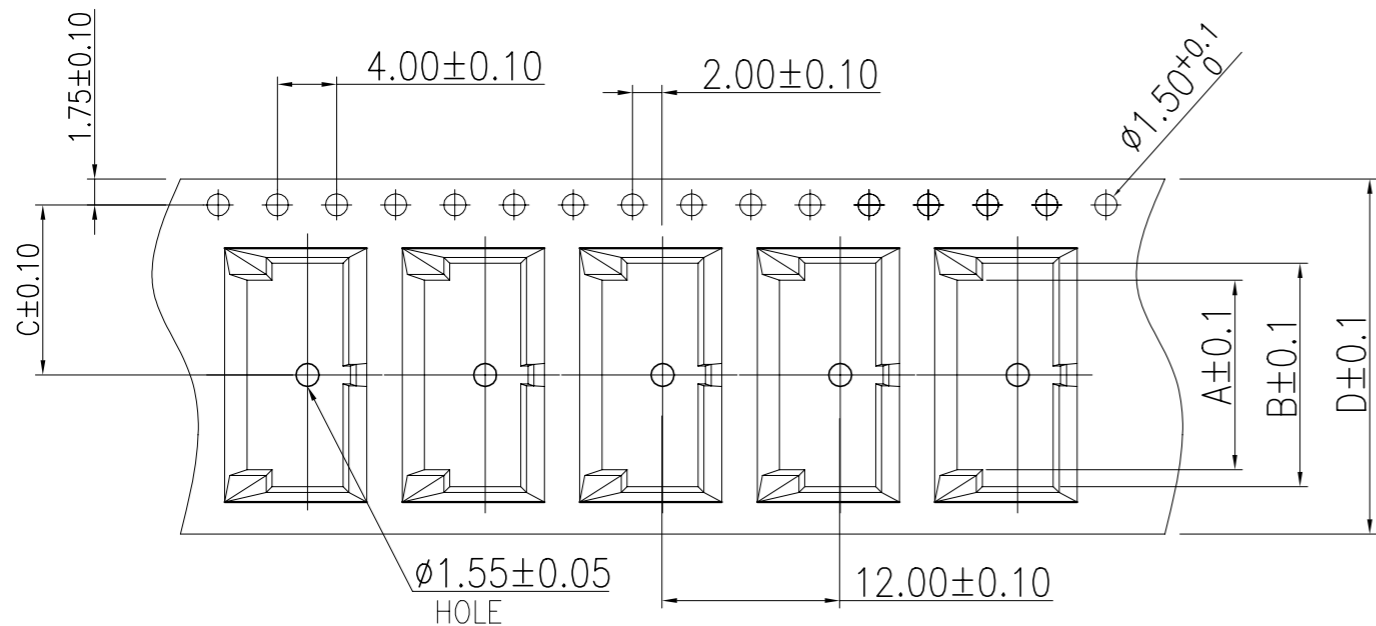
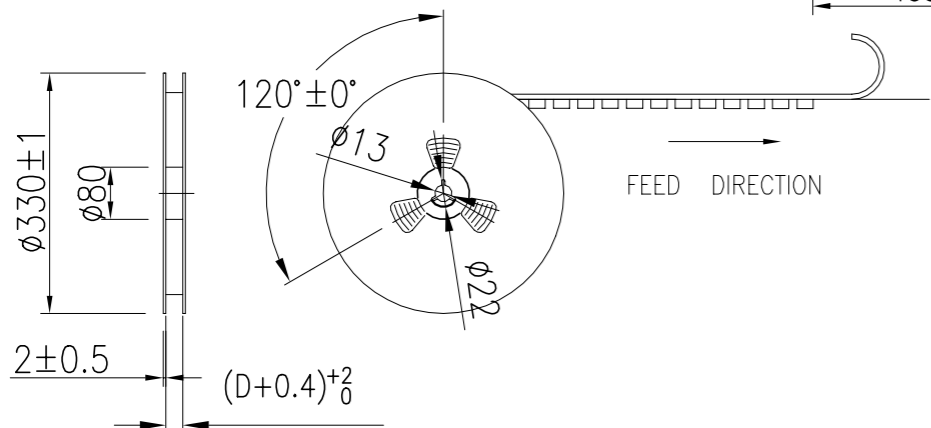
P	LTR	DESCRIPTION	DATE	DWN	APVD
-	-	SEE SHEET 1	-	-	-



POS. NO	DIM A	DIM B	DIM C	DIM D
5	6.80	9.10	11.5	24
6	8.30	10.60		
7	9.80	12.10		
8	11.30	13.60		
9	12.80	15.10		

NOTES:

- 10 SPROCKET HOLE PITCH CUMULATIVE TOLERANCE: ±0.20mm
- CARRIER CAMBER NOT TO EXCEED 1mm IN 100mm.
- ALL DIMENSIONS MEET EIA-481-C REQUIREMENTS.
- MATERIAL: BLACK ANTI-STATIC POLYSTYRENE.
- THICKNESS: 0.40±0.05 mm.
- PACKING LENGTH PER 13" REEL : 12.4 METERS.
- COMPONENT LOAD PER 13" REEL : 950 PCS.
- PRODUCTS PLACEMENT MUST BE IN THE SAME DIRECTION.



THIS DRAWING IS A CONTROLLED DOCUMENT.

DWN Jone Ji 23SEP2020

CHK Wenke He

APVD Wenke He

PRODUCT SPEC

APPLICATION SPEC

WEIGHT

CUSTOMER DRAWING

TE TE Connectivity Ltd.

1.5P WTB VERTICAL TYPE WITH LATCH

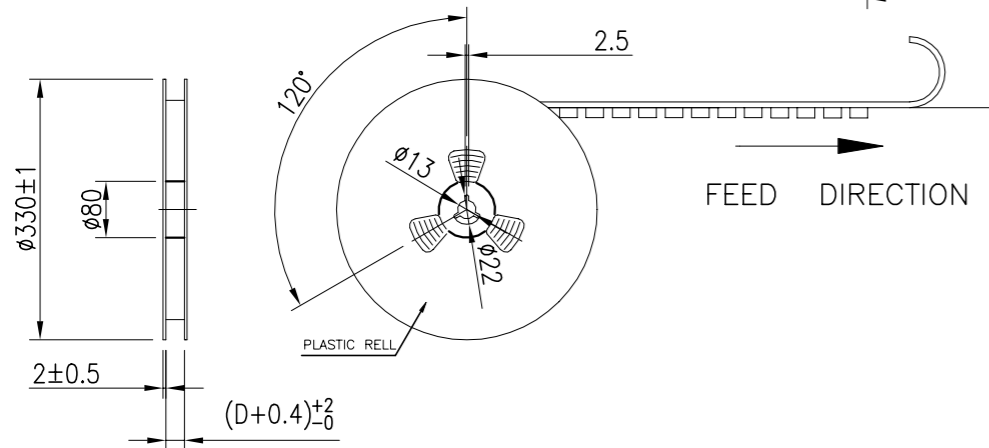
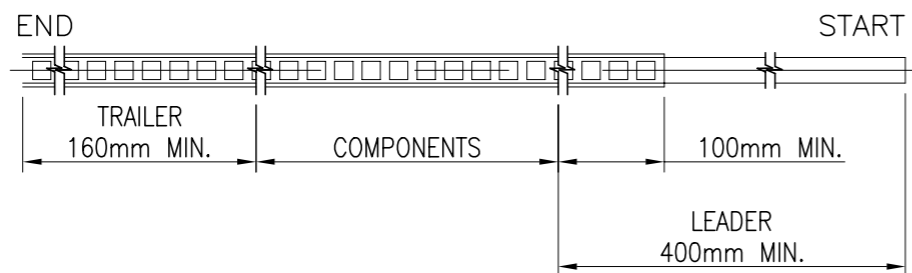
SIZE	CAGE CODE	DRAWING NO	RESTRICTED TO
A3	00779	C=2380320	-

DIMENSIONS:	TOLERANCES UNLESS OTHERWISE SPECIFIED:
mm	
0 PLC	± 0.5
1 PLC	± 0.35
2 PLC	± 0.25
3 PLC	± 0.15
4 PLC	± -
ANGLES	± 2'

MATERIAL SEE NOTE

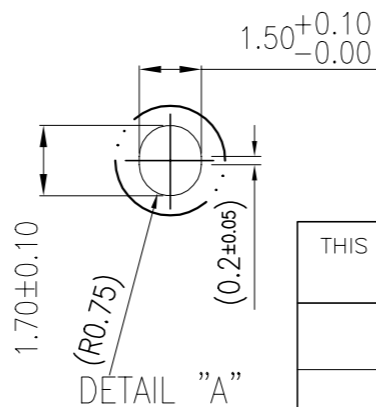
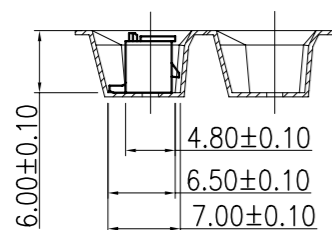
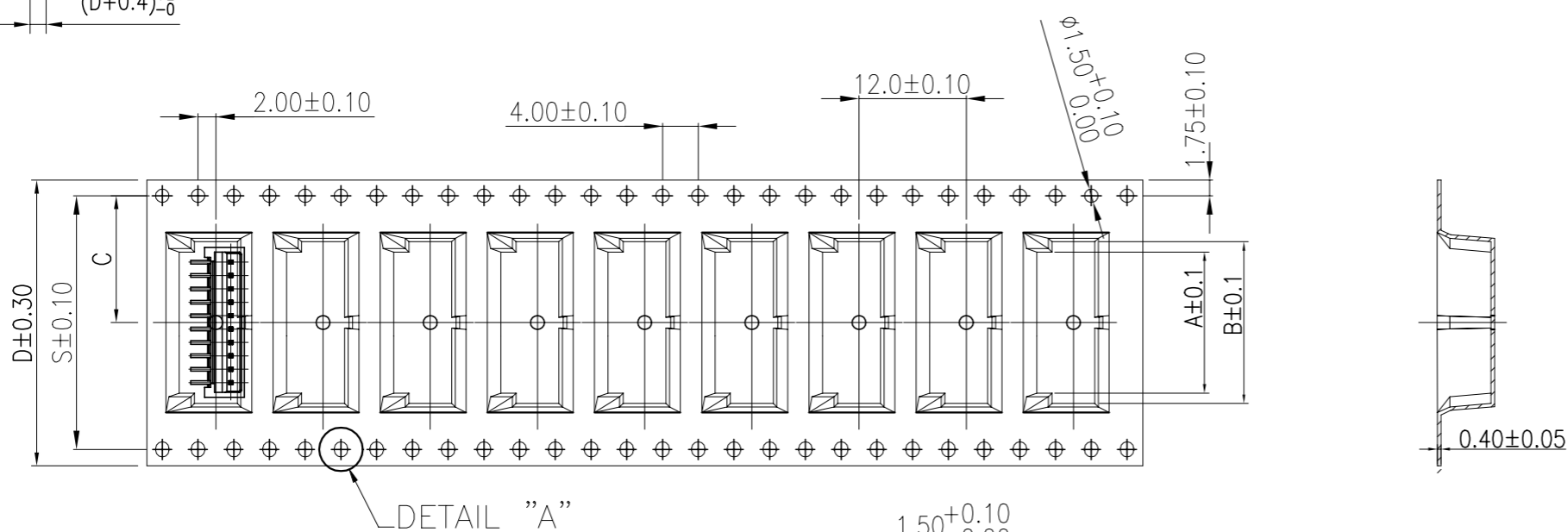
FINISH -

P	LTR	DESCRIPTION	DATE	DWN	APVD
-	-	SEE SHEET 1	-	-	-



POS. NO	DIM A	DIM B	DIM C	DIM D	DIM S
10	14.3	16.6	14.2	32	28.4
11	15.8	18.1			
12	17.3	19.6			
13	18.8	21.1	20.2	44	40.4
14	20.3	22.6			
15	21.8	24.1			
16	23.3	25.6			
17	24.8	27.1			
18	26.3	28.6			
19	27.8	30.1			
20	29.3	31.6			

- NOTES:
- 10 SPROCKET HOLE PITCH CUMULATIVE TOLERANCE: $\pm 0.20\text{mm}$
 - CARRIER CAMBER NOT TO EXCEED 1mm IN 100mm.
 - ALL DIMENSIONS MEET EIA-481-C REQUIREMENTS.
 - MATERIAL: BLACK ANTI-STATIC POLYSTYRENE.
 - THICKNESS: $0.40 \pm 0.05\text{ mm}$.
 - PACKING LENGTH PER 13" REEL : 12.4 METERS.
 - COMPONENT LOAD PER 13" REEL : 950 PCS.
 - PRODUCTS PLACEMENT MUST BE IN THE SAME DIRECTION.

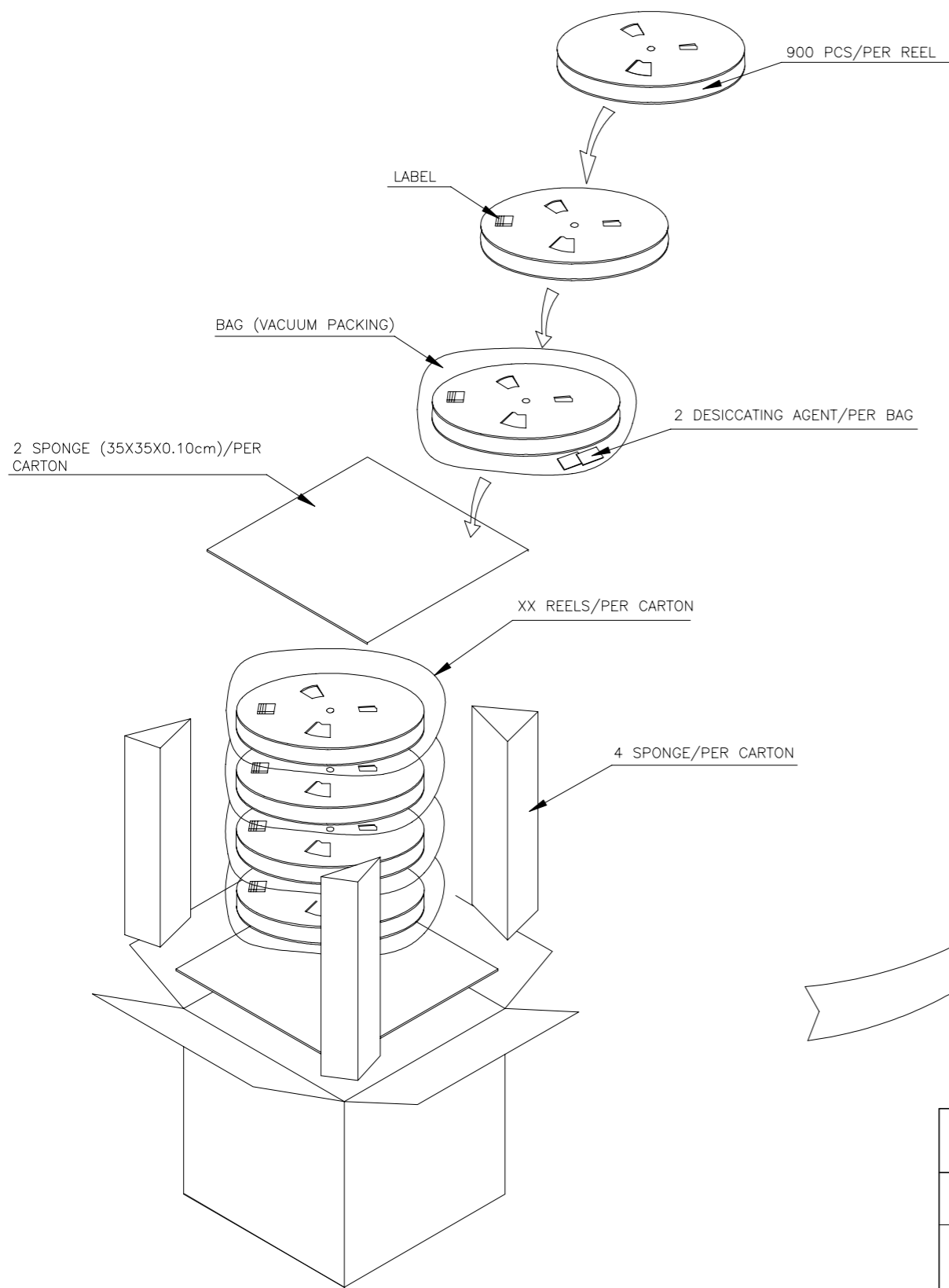


THIS DRAWING IS A CONTROLLED DOCUMENT.		DWN Jone Ji 23SEP2020	TE Connectivity Ltd.	
DIMENSIONS: mm		CHK Wenke He		
TOLERANCES UNLESS OTHERWISE SPECIFIED:		APVD Wenke He	NAME 1.5P WTB VERTICAL TYPE WITH LATCH	
0 PLC ± 0.5 1 PLC ± 0.35 2 PLC ± 0.25 3 PLC ± 0.15 4 PLC \pm ANGLES $\pm 2'$		PRODUCT SPEC		
MATERIAL SEE NOTE		FINISH -	APPLICATION SPEC -	
		WEIGHT	SIZE A3	CAGE CODE 00779
		CUSTOMER DRAWING	DRAWING NO C=2380320	RESTRICTED TO -
		SCALE N/A	SHEET 4 of 5	REV A

REVISIONS

P	LTR	DESCRIPTION	DATE	DWN	APVD
-	-	SEE SHEET 1	-	-	-

POS.NO.	PARTS PER PRIMARY CARTON	PARTS PER REEL	TOTAL REELS PER PRIMARY CARTON
2	15200(PCS)	950(PCS)	16
3	15200(PCS)	950(PCS)	16
4	15200(PCS)	950(PCS)	16
5	10450(PCS)	950(PCS)	11
6	10450(PCS)	950(PCS)	11
7	10450(PCS)	950(PCS)	11
8	10450(PCS)	950(PCS)	11
9	10450(PCS)	950(PCS)	11
10	8550(PCS)	950(PCS)	9
11	8550(PCS)	950(PCS)	9
12	8550(PCS)	950(PCS)	9
13	6650(PCS)	950(PCS)	7
14	6650(PCS)	950(PCS)	7
15	6650(PCS)	950(PCS)	7



NOTE:
 1. STAPLES SHOULD ONLY BE USED TO SET UP CARTON
 ALL CARTONS CLOSURES MUST BE DONE WITH TAPE.
 2. FILL PACKAGING REEL WITH THE QUANTITIES AS INDICATED
 IN THE CHART.

THIS DRAWING IS A CONTROLLED DOCUMENT.		DWN	23SEP2020		STE TE Connectivity Ltd.
		CHK	Jone Ji		
DIMENSIONS: mm		TOLERANCES UNLESS OTHERWISE SPECIFIED:		NAME	
		0 PLC ± 0.5		1.5P WTB VERTICAL TYPE	
		1 PLC ± 0.35		WITH LATCH	
		2 PLC ± 0.25		-	
		3 PLC ± 0.15		SIZE	
		4 PLC ± -		CAGE CODE	
		ANGLES ± 2'		DRAWING NO	
MATERIAL		FINISH		RESTRICTED TO	
SEE NOTE		-		-	
		WEIGHT		A3 00779 C=2380320	
		CUSTOMER DRAWING		SCALE N/A SHEET 5 of 5 REV A	

X-ON Electronics

Largest Supplier of Electrical and Electronic Components

Click to view similar products for [Headers & Wire Housings](#) category:

Click to view products by [TE Connectivity](#) manufacturer:

Other Similar products are found below :

[892-18-020-10-001101](#) [58102-G61-06LF](#) [582553-1](#) [0009485154](#) [009176003701906](#) [0050291907](#) [LY20-4P-DT1-P1E-BR](#) [02.125.8002.8](#)
[609-3404](#) [61062-3](#) [61082-181009](#) [622-3653LF](#) [63453-116](#) [636-1030](#) [636-1427](#) [636-3427](#) [636-4007](#) [641938-9](#) [641991-4](#) [644827-2](#) [65817-](#)
[010LF](#) [65817-015LF](#) [65863-015LF](#) [66207-023LF](#) [67095-007LF](#) [67601157](#) [68645-018](#) [68648-049](#) [70.362.1628.0](#) [70-4210](#) [70-4226B](#) [70-](#)
[4853B](#) [707-5020](#) [707-5028](#) [71.350.2428.0](#) [71918-208LF](#) [71961-016LF](#) [733-134](#) [733-162](#) [754199-000](#) [760-3052](#) [787-8014-00](#) [79531-3000](#)
[FCN-360C032-B](#) [FCN-367T-T012/H](#) [FCN-723D010/2](#) [80.063.4001.1](#) [800-90-001-10-001000](#) [800-90-010-10-002000](#) [801-43-002-10-013000](#)