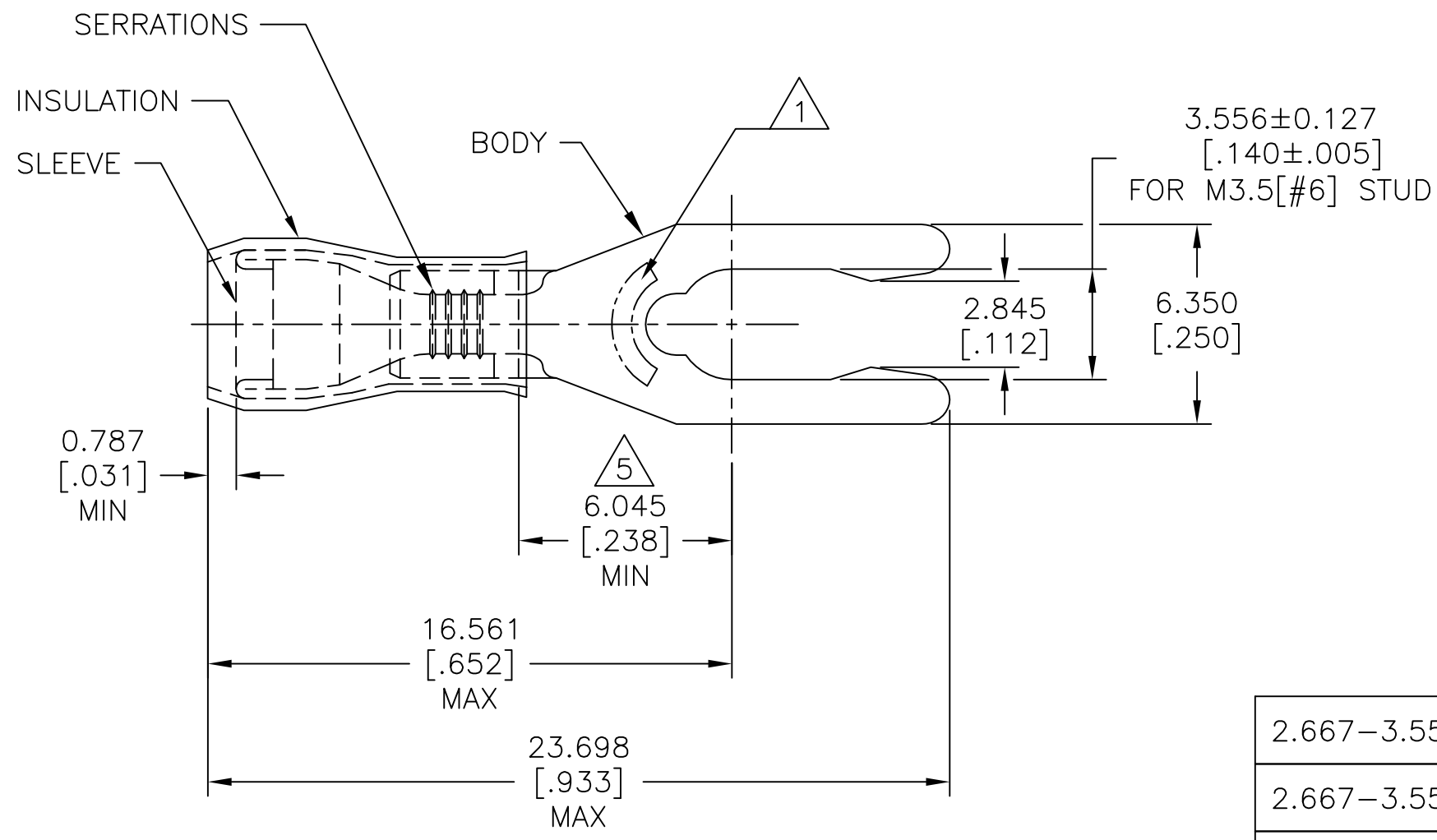


REVISIONS					
P	LTR	DESCRIPTION	DATE	DWN	APVD
	L2	REVISED PER ECO-14-016783	06NOV2014	NK	DR
	L3	REVISED PER ECO-17-007400	29NOV2017	RS	DR

<b>AMP</b> WIRE RANGE	Listed FILE E13288	LR7189 Certified
22-16 AWG SOLID OR STRANDED	22-16 AWG SOLID OR STRANDED	22-16 AWG SOLID OR STRANDED



- 1 STAMP 6S AMP 22-18\* APPROX AS SHOWN  
22-16 TERMINALS ARE STAMPED 22-18 IN  
ACCORDANCE WITH MILITARY SPEC SAE AS 7928  
COMMERCIAL WIRE RANGE IS 22-16.
- 2 WIRE INSULATION DIA: DIM "A", SEE TABLE.
- 3 BODY MATERIAL THK: 0.787±0.051[.031±.002]
- 4 MATERIAL: BODY - PHOS BRONZE PER ASTM B103  
SLEEVE - CU PER ASTM B152  
INSULATION - NYLON.
- 5 APPLIES FROM THE METAL EDGE OF BARREL TO  
CENTERLINE OF STUD.
- 6 FINISH: BODY & SLEEVE - TIN PLATE PER ASTM B545  
INSULATION - COLOR-RED.

2.667-3.556[.105-.140]	5000	52409-2 ON TAPE, REEL	52409-3
2.667-3.556[.105-.140]	1000	LOOSE PIECE	52409-2
2.032-3.175[.080-.125]	5000	52409 ON TAPE, REEL	52409-1
2.032-3.175[.080-.125]	1000	LOOSE PIECE	52409
"A"	QTY	PACKAGING TYPE	PART NO.

CUSTOMER SERVICE SYSTEMS		MAX RECOMMENDED OPERATING TEMPERATURE: 105°C [221°F]	THIS DRAWING IS A CONTROLLED DOCUMENT.		DWN JR RUTH 10DEC09	TE Connectivity			
FOR ADDITIONAL PRODUCT INFORMATION OR COPIES OF DRAWINGS AND TECHNICAL DOCUMENTS	PRODUCT INFORMATION CENTER 1-800-522-6752	VOLTAGE RATING: 300 V MAX	DIMENSIONS: mm [INCHES]	TOLERANCES UNLESS OTHERWISE SPECIFIED:	CHK TOM MICHIELUTTI 10DEC09				
FOR APPLICATION TOOLING INFORMATION	TOOLING ASSISTANCE CENTER 1-800-722-1111	CIRCULAR MIL AREA: 0.26-1.65mm² [509-3260] SOLID OR STRANDED		0 PLC ± - 1 PLC ± - 2 PLC ± - 3 PLC ± 0.127[.005] 4 PLC ± - ANGLES ± -	APVD TOM MICHIELUTTI 10DEC09	PRODUCT SPEC			
FOR ORDER ENTRY	1-800-526-5142		MATERIAL	FINISH	APPLICATION SPEC 114-2157	SIZE	CAGE CODE	DRAWING NO	RESTRICTED TO
					WEIGHT	A3 00779		C=52409	
					CUSTOMER DRAWING	SCALE	4:1	SHEET	1 OF 1
								REV	L3

## X-ON Electronics

Largest Supplier of Electrical and Electronic Components

*Click to view similar products for [Terminals](#) category:*

*Click to view products by [TE Connectivity](#) manufacturer:*

Other Similar products are found below :

[00-054007-01074-6](#) [00-054007-70206-1](#) [00-054007-70210-8](#) [00-054007-70217-7](#) [00-054007-70226-9](#) [00-054007-70228-3](#) [00-054007-70248-1](#) [00-054007-70256-6](#) [00-054007-70301-3](#) [00-054007-70316-7](#) [00-054007-49560-4](#) [00-054007-70209-2](#) [00-054007-70225-2](#) [00-054007-70227-6](#) [00-054007-70231-3](#) [00-054007-70241-2](#) [00-054007-70242-9](#) [00-054007-70244-3](#) [00-054007-70246-7](#) [00-054007-70263-4](#) [00-054007-70288-7](#) [00-054007-70290-0](#) [00-054007-70300-6](#) [00-054007-70304-4](#) [01-2065-1-0216](#) [01-2900-1-04412](#) [00581P0075](#) [600TS-10](#) [60205-1](#) [604200-1](#) [605601-1](#) [60598-1-CUT-TAPE](#) [61314-6-C](#) [61810-3](#) [61-S](#) [61-SN](#) [626-0194](#) [62-NBM-A](#) [62-SN](#) [62-SP](#) [63-S](#) [640179-1](#) [M55155/059I03](#) [M55155/079C01](#) [M55155/099H02](#) [M55155/109H01](#) [M55155/109H02](#) [M55155/12XH05](#) [M55155/16XH02](#) [M55155/29-5S](#)