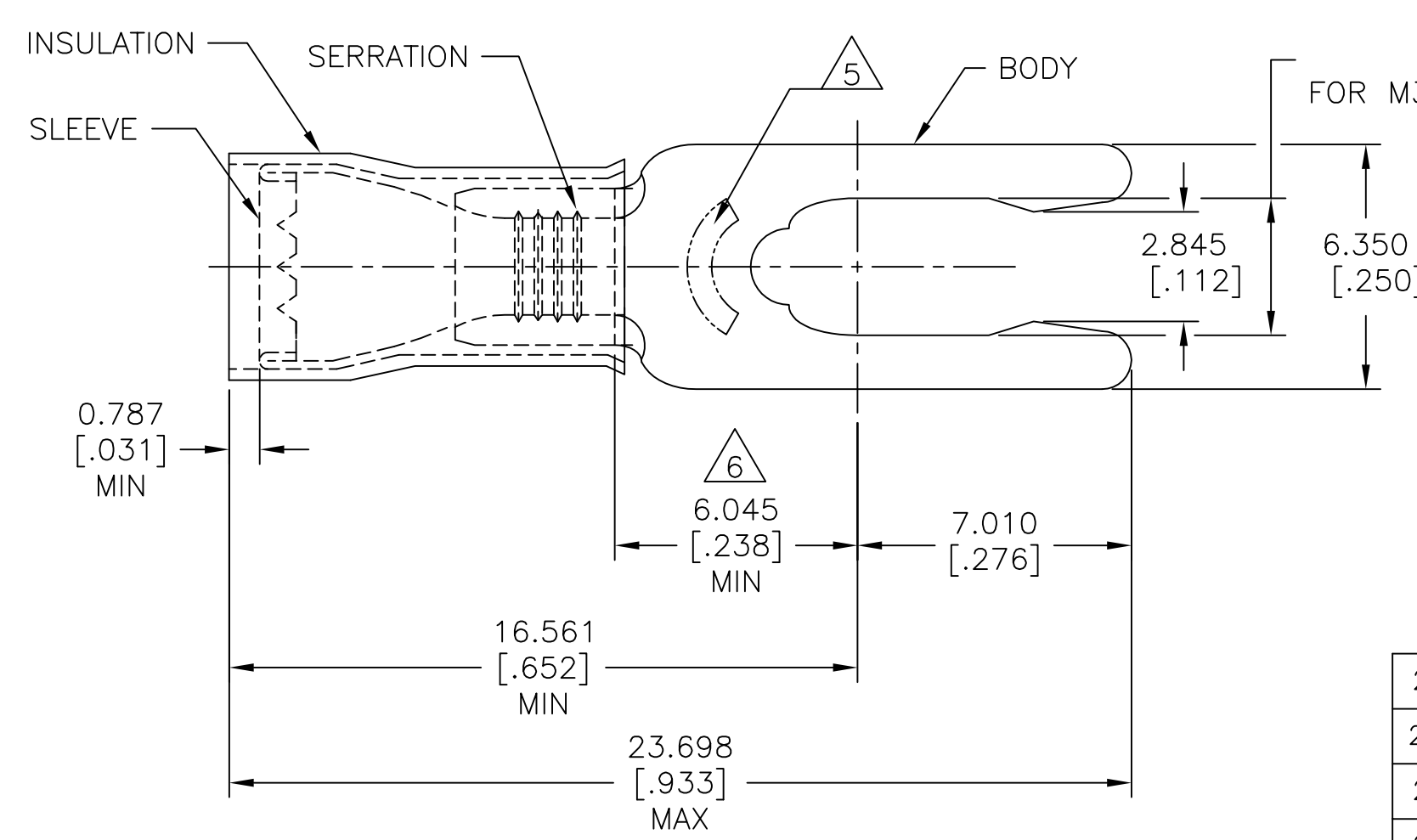


REVISIONS					
P	LTR	DESCRIPTION	DATE	DWN	APVD
	G2	REVISED PER ECO-11-004917	11MAR11	RK	HMR
	G3	REVISED PER ECO-17-007400	28NOV2017	RS	DR

AMP WIRE RANGE	Listed FILE E13288	LR7189 Certified
16-14 AWG SOLID OR STRANDED	16-14 AWG SOLID OR STRANDED	16-14 AWG SOLID OR STRANDED

- 1 WIRE INSULATION DIA, SEE TABLE "A"
- 2 BODY MATL THK, 0.787±0.051[.031±.002].
- 3 MATERIAL:
BODY: PHOS BRONZE PER ASTM B103
INSULATION: NYLON
SLEEVE: COPPER PER ASTM B152
- 4 FINISH:
BODY: TIN PLATE PER ASTM B545
SLEEVE: TIN PLATE PER ASTM B545
INSULATION: COLOR-BLUE.
- 5 STAMP 6S AMP 16-14* APPROX AS SHOWN.
- 6 APPLIES FROM EDGE OF METAL WIRE BARREL TO CENTER OF STUD HOLE.



DIM "A"	QTY	PACKAGE TYPE	PART NO
2.921-4.318[.115-.170]	5000	ON TAPE	52420-3
2.667-3.810[.105-.150]	5000	ON TAPE	52420-2
2.921-4.318[.115-.170]	1000	LOOSE PIECE	52420-1
2.667-3.810[.105-.150]	1000	LOOSE PIECE	52420

AMP INCORPORATED
CUSTOMER SERVICE SYSTEMS

FOR ADDITIONAL PRODUCT INFORMATION OR COPIES OF DRAWINGS AND TECHNICAL DOCUMENTS
 PRODUCT INFORMATION CENTER
 1-800-522-6752

FOR APPLICATION TOOLING INFORMATION
 TOOLING ASSISTANCE CENTER
 1-800-722-1111

FOR ORDER ENTRY
 1-800-526-5142

MAX RECOMMENDED OPERATING TEMPERATURE:
 105°C [221°F]

VOLTAGE RATING:
 300 V MAX

CIRCULAR MIL AREA:
 1.04-2.62mm²[2,050-5,180]
 SOLID OR STRANDED

THIS DRAWING IS A CONTROLLED DOCUMENT.

DIMENSIONS:
 mm [INCHES]

TOLERANCES UNLESS OTHERWISE SPECIFIED:

0 PLC	± -
1 PLC	± -
2 PLC	± -
3 PLC	± 0.127[.005]
4 PLC ANGLES	± - ±5°

MATERIAL

FINISH

DWN jr_ruth 28JUN10
 CHK TOM MICHIELUTTI 14MAY10
 APVD TOM MICHIELUTTI 14MAY10

STE TE Connectivity

NAME: TERMINAL, PIDG, SPRING SPADE, WIRE SIZE: 16-14 AWG

PRODUCT SPEC: UL 486 A-B

APPLICATION SPEC: 114-2157

WEIGHT: -

SIZE: A3 CAGE CODE: 00779 DRAWING NO: C=52420 RESTRICTED TO: -

CUSTOMER DRAWING SCALE: 6:1 SHEET: 1 OF 1 REV: G3

X-ON Electronics

Largest Supplier of Electrical and Electronic Components

Click to view similar products for [Terminals](#) category:

Click to view products by [TE Connectivity](#) manufacturer:

Other Similar products are found below :

[00-054007-01074-6](#) [00-054007-70206-1](#) [00-054007-70210-8](#) [00-054007-70217-7](#) [00-054007-70226-9](#) [00-054007-70228-3](#) [00-054007-70248-1](#) [00-054007-70256-6](#) [00-054007-70301-3](#) [00-054007-70316-7](#) [0-0320562-0](#) [00-054007-49560-4](#) [00-054007-70209-2](#) [00-054007-70225-2](#) [00-054007-70227-6](#) [00-054007-70231-3](#) [00-054007-70241-2](#) [00-054007-70242-9](#) [00-054007-70244-3](#) [00-054007-70246-7](#) [00-054007-70263-4](#) [00-054007-70288-7](#) [00-054007-70290-0](#) [00-054007-70300-6](#) [00-054007-70304-4](#) [01-2065-1-0216](#) [01-2900-1-04412](#) [00581P0075](#) [600TS-10](#) [60205-1](#) [604200-1](#) [605601-1](#) [60598-1-CUT-TAPE](#) [61314-6-C](#) [61810-3](#) [61-S](#) [61-SN](#) [626-0194](#) [62-NBM-A](#) [62-SN](#) [62-SP](#) [63-S](#) [640179-1](#) [M55155/059I03](#) [M55155/079C01](#) [M55155/099H02](#) [M55155/109H01](#) [M55155/109H02](#) [M55155/12XH05](#) [M55155/16XH02](#)