

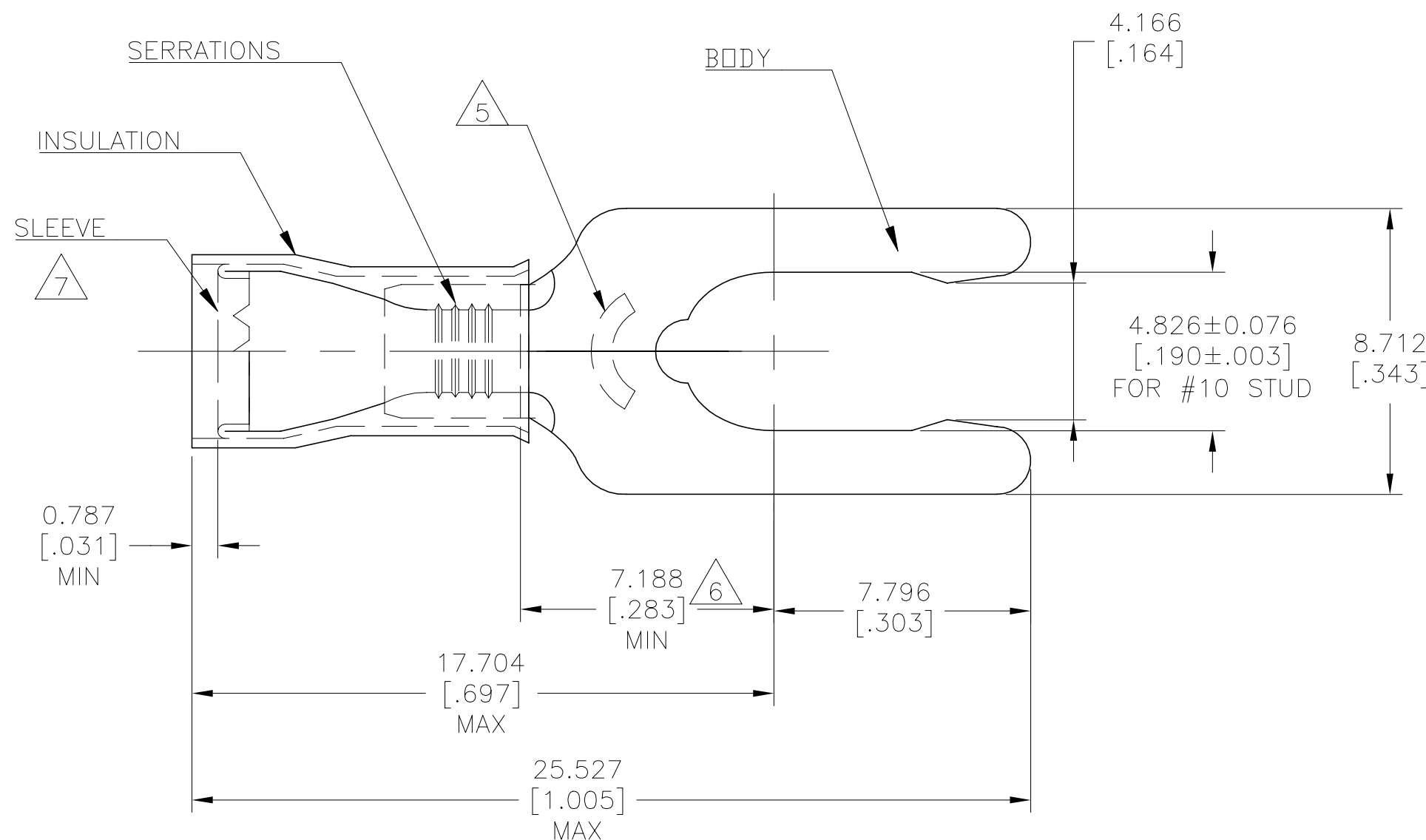


P	LTR	DESCRIPTION	DATE	DWN	APVD
J1		REDRAWN PER ECR 10-010105	28JUN10	JR	TM
J2		REVISED PER ECO-20-010511	28JUL2020	SG	DR

 E13288 Listed	 LR7189 Certified
16-14 AWG SOLID OR STRANDED	16-14 AWG SOLID OR STRANDED



- 1 WIRE INSULATION DIA, SEE TABLE "A"
- 2 BODY MATL THK, 0.789±0.051[.031±.002].
- 3 MATERIAL:  
BODY - PHOS BRONZE PER ASTM B103  
INSULATION: NYLON PER ASTM D4066  
SLEEVE: COPPER PER ASTM B152
- 4 FINISH: BODY & SLEEVE - TIN PLATE  
0.00254[.000100] MIN EXT THK PER ASTM B545  
INSULATION COLOR - BLUE
- 5 STAMP 10S AMP 16 - 14\* APPROX AS SHOWN
- 6 APPLIES FROM EDGE OF METAL WIRE BARREL TO  
CENTER OF STUD HOLE
- 7 INTERNAL EDGE FEATURE MAY BE SOLID OR  
SCALLOPED

2.921-2.972 [.115-.170]	5000	ON TAPE	52422-3
2.921-2.972 [.115-.170]	1000	LOOSE PIECE	52422-1
DIM "A"	QTY	PACKAGE TYPE	PART NO

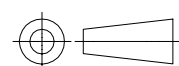
AMP INCORPORATED  
CUSTOMER SERVICE SYSTEMS

FOR ADDITIONAL PRODUCT INFORMATION OR COPIES OF DRAWINGS AND TECHNICAL DOCUMENTS	PRODUCT INFORMATION CENTER 1-800-522-6752
FOR APPLICATION TOOLING INFORMATION	TOOLING ASSISTANCE CENTER 1-800-722-1111
FOR ORDER ENTRY	1-800-526-5142

MAX RECOMMENDED OPERATING TEMPERATURE: 105C [221°F] MAX
VOLTAGE RATING: 300 VOLT MAX
WIRE CROSS SECTIONAL AREA RANGE, 1.02-2.62mm <sup>2</sup> [2,050-5,180] SOLID OR STRANDED

THIS DRAWING IS A CONTROLLED DOCUMENT.

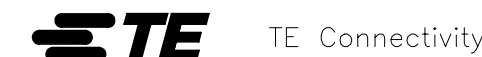
DIMENSIONS:  
MMmm [INCHES]



TOLERANCES UNLESS OTHERWISE SPECIFIED:	
0 PLC	± -
1 PLC	± -
2 PLC	± 0.127 [.008]
3 PLC	± -
4 PLC	± -
ANGLES	± 5°
FINISH	4

MATERIAL  
3

DWN	28JUN10
CHK	jr ruth
APVD	14MAY10
PRODUCT SPEC	TOM MICHIELUTTI
APPLICATION SPEC	TOM MICHIELUTTI
WEIGHT	UL486 A-B
	114-2157



NAME TERMINAL, PIDG, SPRING SPADE, WIRE SIZE: 16-14 AWG			
SIZE	CAGE CODE	DRAWING NO	RESTRICTED TO
A3	00779	C-52422	-

CUSTOMER DRAWING	SCALE	SHEET	REV
	6:1	1 of 1	J2

## X-ON Electronics

Largest Supplier of Electrical and Electronic Components

*Click to view similar products for [Terminals](#) category:*

*Click to view products by [TE Connectivity](#) manufacturer:*

Other Similar products are found below :

[00-054007-01074-6](#) [00-054007-70206-1](#) [00-054007-70210-8](#) [00-054007-70217-7](#) [00-054007-70226-9](#) [00-054007-70228-3](#) [00-054007-70248-1](#) [00-054007-70256-6](#) [00-054007-70301-3](#) [00-054007-70316-7](#) [0-0320562-0](#) [00-054007-49560-4](#) [00-054007-70209-2](#) [00-054007-70225-2](#) [00-054007-70227-6](#) [00-054007-70231-3](#) [00-054007-70241-2](#) [00-054007-70242-9](#) [00-054007-70244-3](#) [00-054007-70246-7](#) [00-054007-70263-4](#) [00-054007-70288-7](#) [00-054007-70290-0](#) [00-054007-70300-6](#) [00-054007-70304-4](#) [01-2065-1-0216](#) [01-2900-1-04412](#) [00581P0075](#) [600TS-10](#) [60205-1](#) [604200-1](#) [605601-1](#) [60598-1-CUT-TAPE](#) [61314-6-C](#) [61810-3](#) [61-S](#) [61-SN](#) [626-0194](#) [62-NBM-A](#) [62-SN](#) [62-SP](#) [63-S](#) [640179-1](#) [M55155/059I03](#) [M55155/079C01](#) [M55155/099H02](#) [M55155/109H01](#) [M55155/109H02](#) [M55155/12XH05](#) [M55155/16XH02](#)