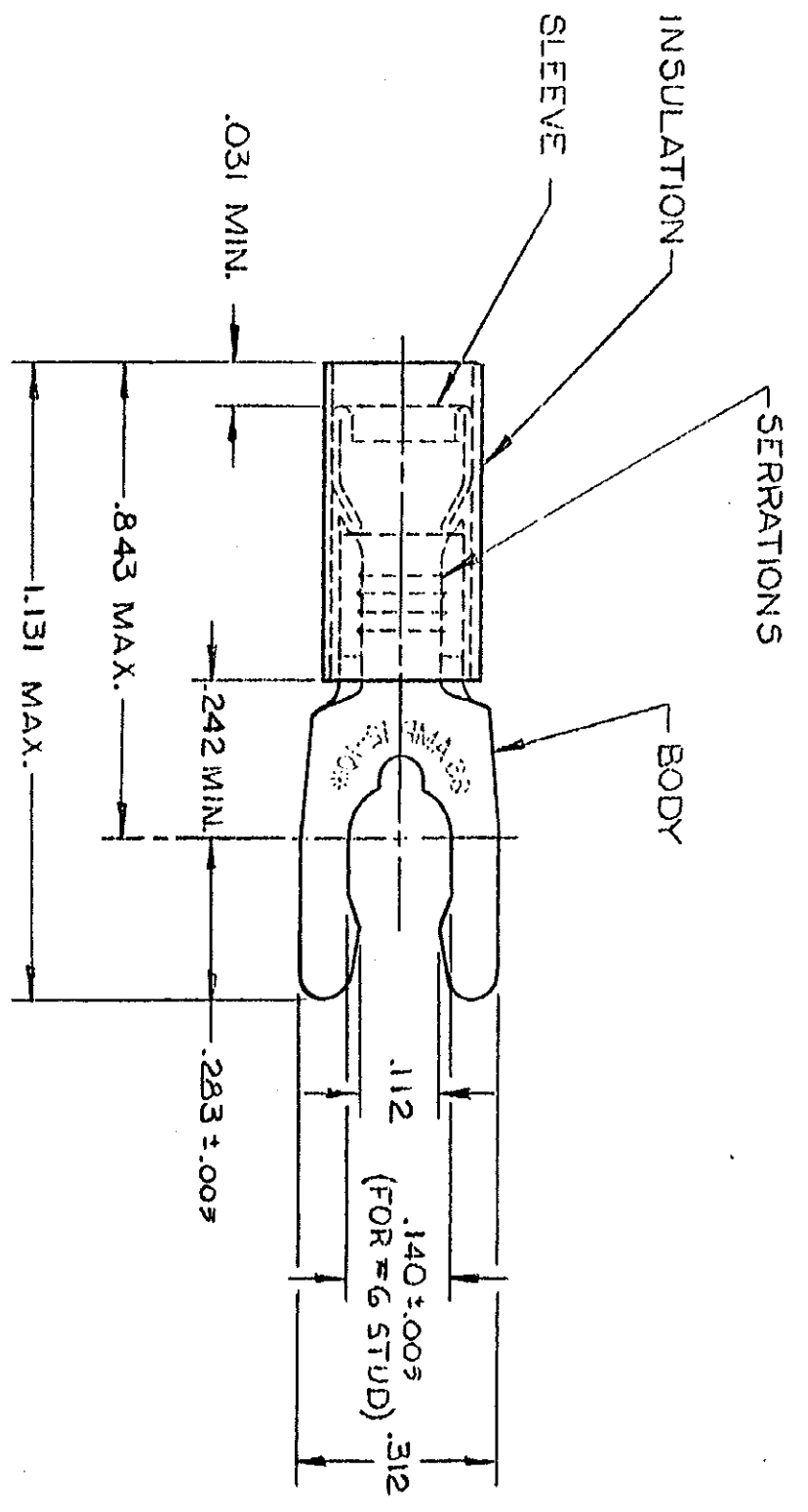


THIS DRAWING IS UNPUBLISHED. RELEASED FOR PUBLICATION 19  
 © COPYRIGHT 19 BY AMP INCORPORATED, HARRISBURG, PA. ALL INTERNATIONAL RIGHTS RESERVED. AMP PRODUCTS MAY BE COVERED BY U.S. AND FOREIGN PATENTS AND/OR PATENTS PENDING.



- 1 WIRE INSULATION DIA. = SEE TABLE, DIM. "A"
- 2 TONGUE MATERIAL THK. = .040 ±.002
- 3 BODY FINISH: TIN PLATE (MIL-T-10727) .000100 MIN THK

| REVISIONS |        | DATE | APPROVED                            |
|-----------|--------|------|-------------------------------------|
| P         | F ZONE | LTR  | DESCRIPTION                         |
| ✓         |        | D    | REDRAWN-REVISED PER G-1477.         |
| ✓         |        | E    | G-1175, P85-0087 & P85-0089 FC-1928 |
| ✓         |        | F    | OBSOLETE -4 PER G-2393              |
| ✓         |        | G    | REVISED G-3044                      |
| ✓         |        | H    | OBS -5 PER G-3358                   |
| ✓         |        |      | REV PER G-5648                      |

| CONTRACT NO                               | QUANTITY | DESCRIPTION     | PART NO |
|---|----------|-----------------|---------|
| DR UTA / RFB 9-26-85                      | 500      | ON TAPE, 16 BOX | 52430-2 |
| CHK <i>Handwritten signature</i> 12-19-86 | 500      | ON TAPE, 250X   | 52430-4 |
| APPD <i>Handwritten signature</i> 2-19-86 | 2500     | ON TAPE, REEL   | 52430-3 |
| DSGN APPD                                 | 2500     | ON TAPE, REEL   | 52430-2 |
| OTHER APPD                                | ---      | LOOSE PIECE     | 52430-1 |
|   | ---      | LOOSE PIECE     | 52430   |

UNLESS OTHERWISE SPECIFIED DIMENSIONS ARE IN INCHES TOLERANCES ON: DECIMALS ±.008 ANGLES ±

MATERIAL INSULATION: NYLON - YELLOW  
 SLEEVE: COPPER (QQ-C-576)  
 BODY: PHOSPHOR BRONZE (QQ-B-750)

NAME: **AMP** | AMP INCORPORATED | Harrisburg, Pa.

TERMINAL SPADE  
 P.I.D.G., SPRING  
 WIRE SIZE: 12-10

SIZE: **B** | FSCM NO: **00779** | DRAWING NO: **52430**

SCALE: NTS | SHEET 1 OF 1

OBSOLETE

## X-ON Electronics

Largest Supplier of Electrical and Electronic Components

*Click to view similar products for [Terminals](#) category:*

*Click to view products by [TE Connectivity](#) manufacturer:*

Other Similar products are found below :

[00-054007-01074-6](#) [00-054007-70206-1](#) [00-054007-70210-8](#) [00-054007-70217-7](#) [00-054007-70226-9](#) [00-054007-70228-3](#) [00-054007-70248-1](#) [00-054007-70256-6](#) [00-054007-70301-3](#) [00-054007-70316-7](#) [0-0320562-0](#) [00-054007-49560-4](#) [00-054007-70209-2](#) [00-054007-70225-2](#) [00-054007-70227-6](#) [00-054007-70231-3](#) [00-054007-70241-2](#) [00-054007-70242-9](#) [00-054007-70244-3](#) [00-054007-70246-7](#) [00-054007-70263-4](#) [00-054007-70288-7](#) [00-054007-70290-0](#) [00-054007-70300-6](#) [00-054007-70304-4](#) [01-2065-1-0216](#) [01-2900-1-04412](#) [00581P0075](#) [600TS-10](#) [60205-1](#) [604200-1](#) [605601-1](#) [60598-1-CUT-TAPE](#) [61314-6-C](#) [61810-3](#) [61-S](#) [61-SN](#) [626-0194](#) [62-NBM-A](#) [62-SN](#) [62-SP](#) [63-S](#) [640179-1](#) [M55155/059I03](#) [M55155/079C01](#) [M55155/099H02](#) [M55155/109H01](#) [M55155/109H02](#) [M55155/12XH05](#) [M55155/16XH02](#)