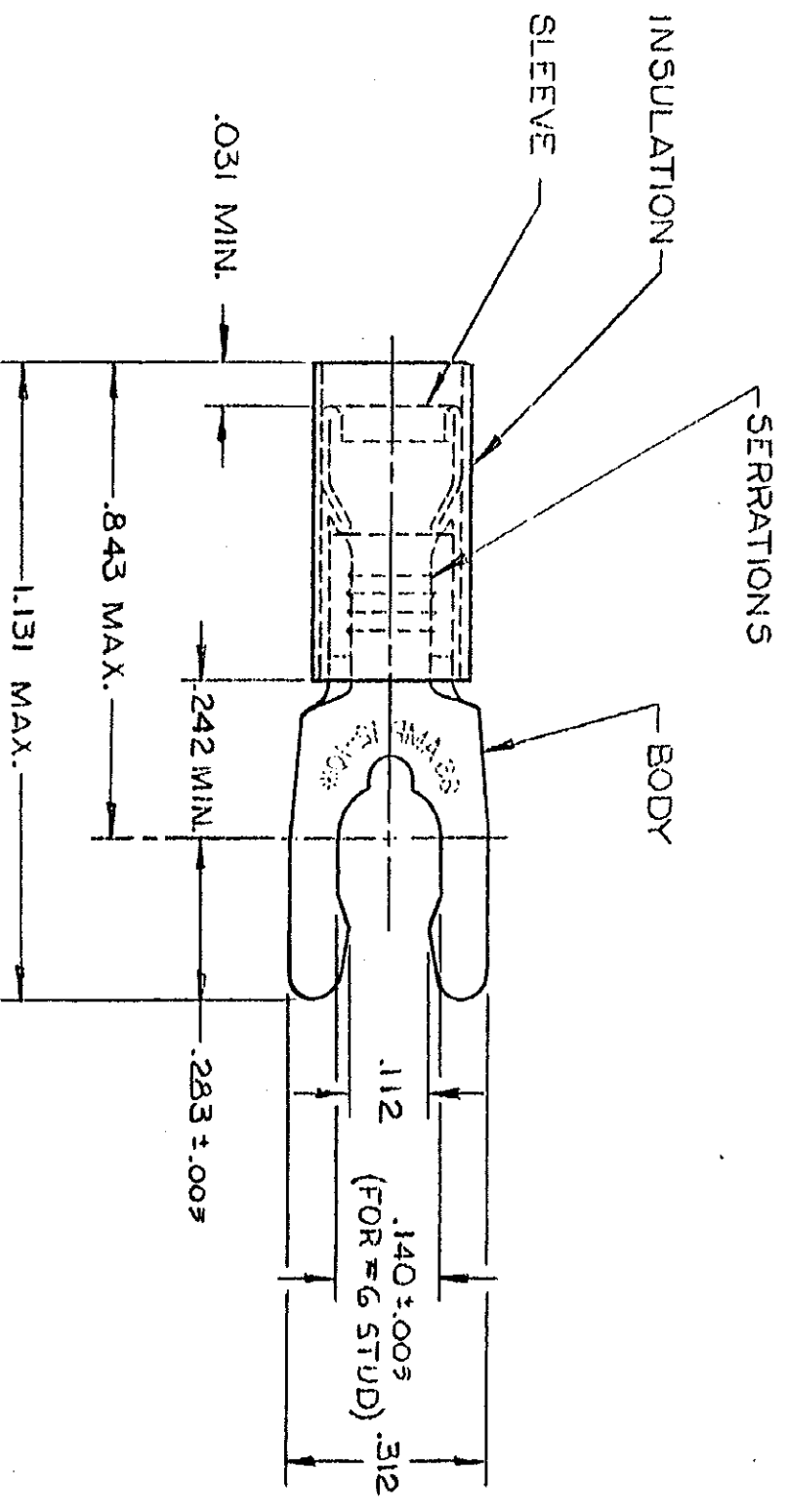


THIS DRAWING IS UNPUBLISHED. RELEASED FOR PUBLICATION
 © COPYRIGHT 19 BY AMP INCORPORATED, HARRISBURG, PA. ALL INTERNATIONAL RIGHTS RESERVED. AMP PRODUCTS MAY BE COVERED BY U.S. AND FOREIGN PATENTS AND/OR PATENTS PENDING.



- 1 WIRE INSULATION DIA. = SEE TABLE, DIM. "A"
- 2 TONGUE MATERIAL THK. = .040 ±.002
- 3 BODY FINISH: TIN PLATE (MIL-T-10727) .000100 MIN THK

REVISIONS		DATE	APPROVED
P	F ZONE	LTR	DESCRIPTION
✓		D	REDRAWN-REVISED PER G-1477.
✓		E	G-1175, P85-0087 & P85-C0891G-1928
✓		F	OBSOLETE -4 PER G-2393
✓		G	REVISED G-3044
✓		H	OBS -5 PER G-3358
✓			REV PER G-5648

OBsolete

DIM. "A"	QUANTITY	DESCRIPTION	PART NO
.150-.250	500	ON TAPE, REEL	52430-2
.150-.250	2500	ON TAPE, REEL	52430-3
.150-.230	2500	ON TAPE, REEL	52430-2
.150-.250	---	LOOSE PIECE	52430-1
.150-.230	---	LOOSE PIECE	52430

UNLESS OTHERWISE SPECIFIED DIMENSIONS ARE IN INCHES TOLERANCES ON: DECIMALS ±.008 ANGLES ±

MATERIAL INSULATION: NYLON - YELLOW
 SLEEVE: COPPER (QQ-C-576)
 BODY: PHOSPHOR BRONZE (QQ-B-750)

CONTRACT NO: DR LTA / RFB 9-26-85

CHK: *[Signature]* 12-19-86
 APPD: *[Signature]* 2-19-86

DSGN APPD: _____
 OTHER APPD: _____

NAME: **AMP** AMP INCORPORATED Harrisburg, Pa.

TERMINAL SPADE
 P.I.D.G., SPRING
 WIRE SIZE: 12-10

SCALE: B SIZE FSCM NO: 00779 DRAWING NO: 52430

NTS SHEET 1 OF 1

CUSTOMER DRAWING

X-ON Electronics

Largest Supplier of Electrical and Electronic Components

Click to view similar products for [Terminals](#) category:

Click to view products by [TE Connectivity](#) manufacturer:

Other Similar products are found below :

[00-054007-01074-6](#) [00-054007-70206-1](#) [00-054007-70210-8](#) [00-054007-70217-7](#) [00-054007-70226-9](#) [00-054007-70228-3](#) [00-054007-70248-1](#) [00-054007-70256-6](#) [00-054007-70301-3](#) [00-054007-70316-7](#) [0-0320562-0](#) [00-054007-49560-4](#) [00-054007-70209-2](#) [00-054007-70225-2](#) [00-054007-70227-6](#) [00-054007-70231-3](#) [00-054007-70241-2](#) [00-054007-70242-9](#) [00-054007-70244-3](#) [00-054007-70246-7](#) [00-054007-70263-4](#) [00-054007-70288-7](#) [00-054007-70290-0](#) [00-054007-70300-6](#) [00-054007-70304-4](#) [01-2065-1-0216](#) [01-2900-1-04412](#) [00581P0075](#) [600TS-10](#) [60205-1](#) [604200-1](#) [605601-1](#) [60598-1-CUT-TAPE](#) [61314-6-C](#) [61810-3](#) [61-S](#) [61-SN](#) [626-0194](#) [62-NBM-A](#) [62-SN](#) [62-SP](#) [63-S](#) [640179-1](#) [M55155/059I03](#) [M55155/079C01](#) [M55155/099H02](#) [M55155/109H01](#) [M55155/109H02](#) [M55155/12XH05](#) [M55155/16XH02](#)