

THIS DRAWING IS UNPUBLISHED.

RELEASED FOR PUBLICATION

© COPYRIGHT BY TYCO ELECTRONICS CORPORATION.

ALL INTERNATIONAL RIGHTS RESERVED.

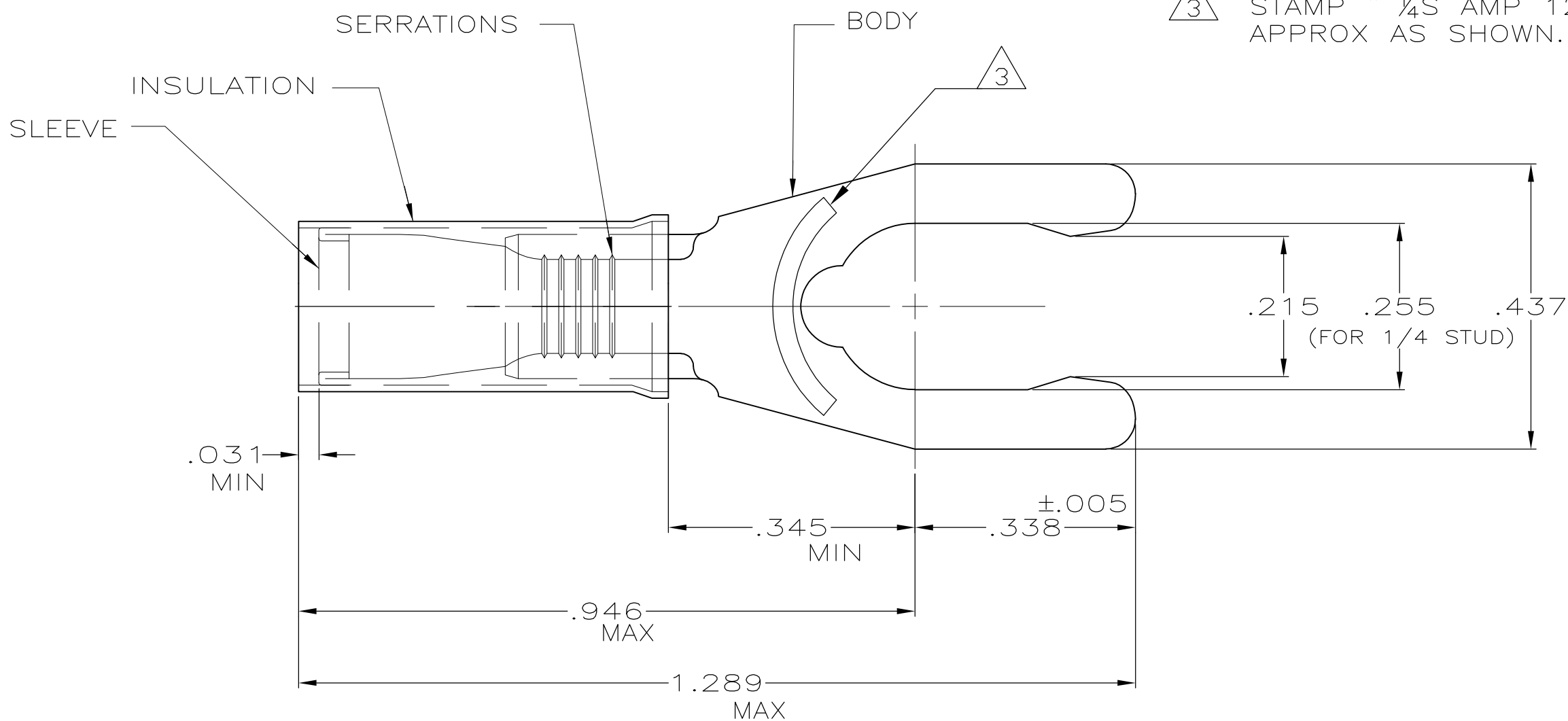
LOC G DIST 14

REVISIONS

P	LTR	DESCRIPTION	DATE	DWN	APVD
	N1	REV PER ECR 10-013673	29JUN10	JR	TM

AMP WIRE RANGE	Listed	LR7189 Certified
12-10 AWG SOLID OR STRANDED	12-10 AWG SOLID OR STRANDED	12-10 AWG SOLID OR STRANDED

- 1 FOR WIRE INSULATION DIA (SEE TABLE).
- 2 TONGUE MATERIAL THK IS .0385±.002
- 3 STAMP " ¼S AMP 12-10*", LOCATED APPROX AS SHOWN.



.235 MIN	WIRE TERMINAL ON TAPE	52433-3	INSULATION: NYLON, COLOR: YELLOW
.253 MIN	WIRE TERMINAL	52433-1	SLEEVE: COPPER PER ASTM B-152
WIRE INS. DIA	DESCRIPTION	PART NO.	BODY: PHOS. BRONZE PER ASTM B-103 TIN PLATE PER ASTM B-545
			MATERIAL & FINISH

THIS DRAWING IS A CONTROLLED DOCUMENT.		DWN JR RUTH 06MAR01	Tyco Electronics Corporation Harrisburg, PA 17105-3608	
DIMENSIONS: INCHES		CHK MS FEHER 06MAR01		
TOLERANCES UNLESS OTHERWISE SPECIFIED:		APVD T MICHELUTTI 06MAR01	NAME	
0 PLC ± -		PRODUCT SPEC	WIRE TERMINAL, PIDG, SPRING SPADE, 12-10 AWG	
1 PLC ± -		APPLICATION SPEC	-	
2 PLC ± -		WEIGHT	SIZE A3	CAGE CODE 00779
3 PLC ± .008		FINISH	DRAWING NO C-52433	RESTRICTED TO
4 PLC ± -		SEE TABLE	-	
ANGLES ± .5°		SEE TABLE	SCALE 5:1	SHEET 1 OF 1
MATERIAL SEE TABLE		CUSTOMER DRAWING	REV N1	

X-ON Electronics

Largest Supplier of Electrical and Electronic Components

Click to view similar products for [Terminals](#) category:

Click to view products by [TE Connectivity](#) manufacturer:

Other Similar products are found below :

[00-054007-01074-6](#) [00-054007-70206-1](#) [00-054007-70210-8](#) [00-054007-70217-7](#) [00-054007-70226-9](#) [00-054007-70228-3](#) [00-054007-70248-1](#) [00-054007-70256-6](#) [00-054007-70301-3](#) [00-054007-70316-7](#) [0-0320562-0](#) [00-054007-49560-4](#) [00-054007-70209-2](#) [00-054007-70225-2](#) [00-054007-70227-6](#) [00-054007-70231-3](#) [00-054007-70241-2](#) [00-054007-70242-9](#) [00-054007-70244-3](#) [00-054007-70246-7](#) [00-054007-70263-4](#) [00-054007-70288-7](#) [00-054007-70290-0](#) [00-054007-70300-6](#) [00-054007-70304-4](#) [01-2065-1-0216](#) [01-2900-1-04412](#) [00581P0075](#) [600TS-10](#) [60205-1](#) [604200-1](#) [605601-1](#) [60598-1-CUT-TAPE](#) [61314-6-C](#) [61810-3](#) [61-S](#) [61-SN](#) [626-0194](#) [62-NBM-A](#) [62-SN](#) [62-SP](#) [63-S](#) [640179-1](#) [M55155/059I03](#) [M55155/079C01](#) [M55155/099H02](#) [M55155/109H01](#) [M55155/109H02](#) [M55155/12XH05](#) [M55155/16XH02](#)